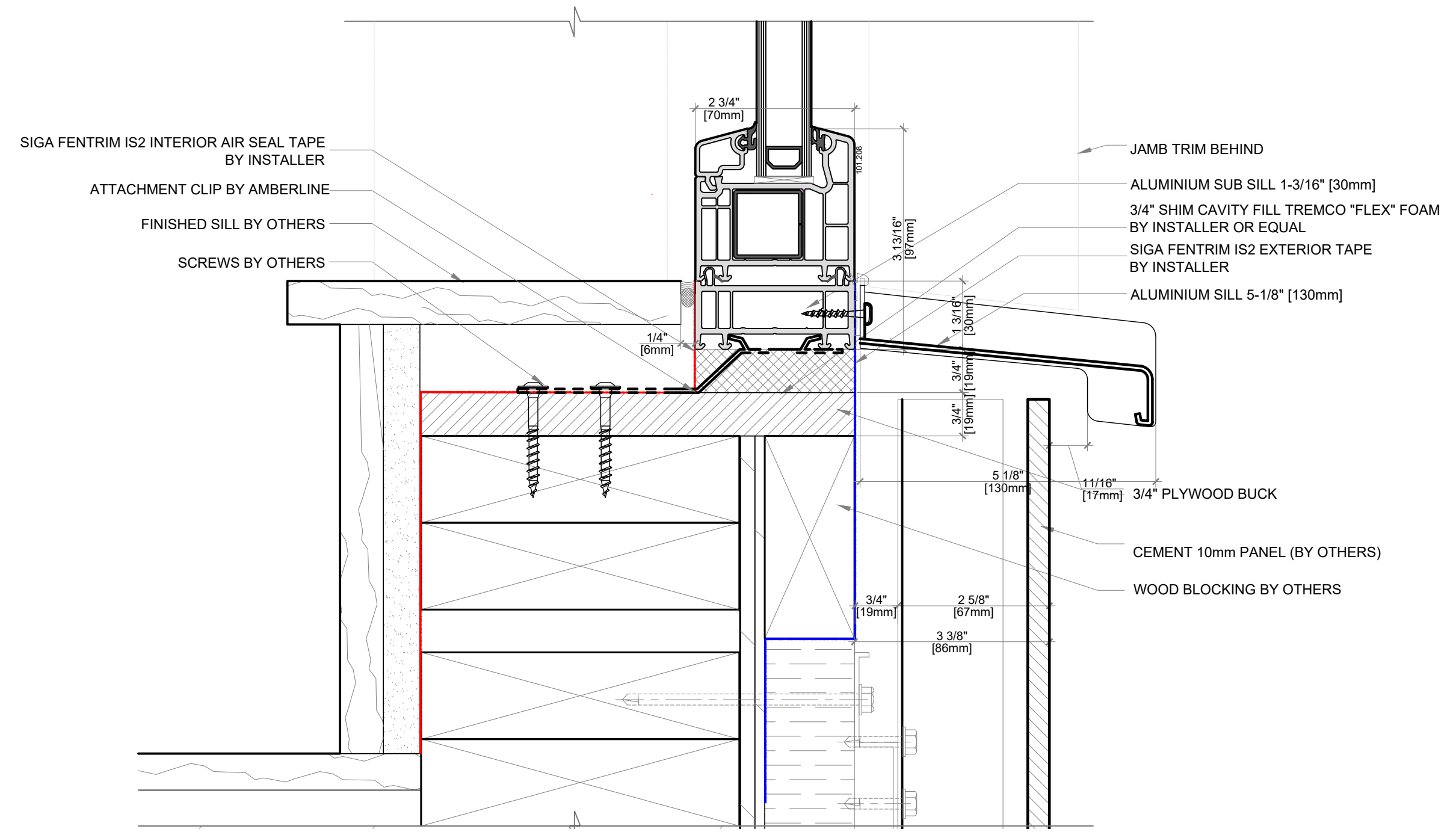


**1** Shim Placement - Window  
 DG-IIA SCALE: 1:10 THIS APPLIES TO ALL OPERATION AND FIXED WINDOWS)

**Note:**  
 Example install detail for reference only.  
 Project specific will vary.

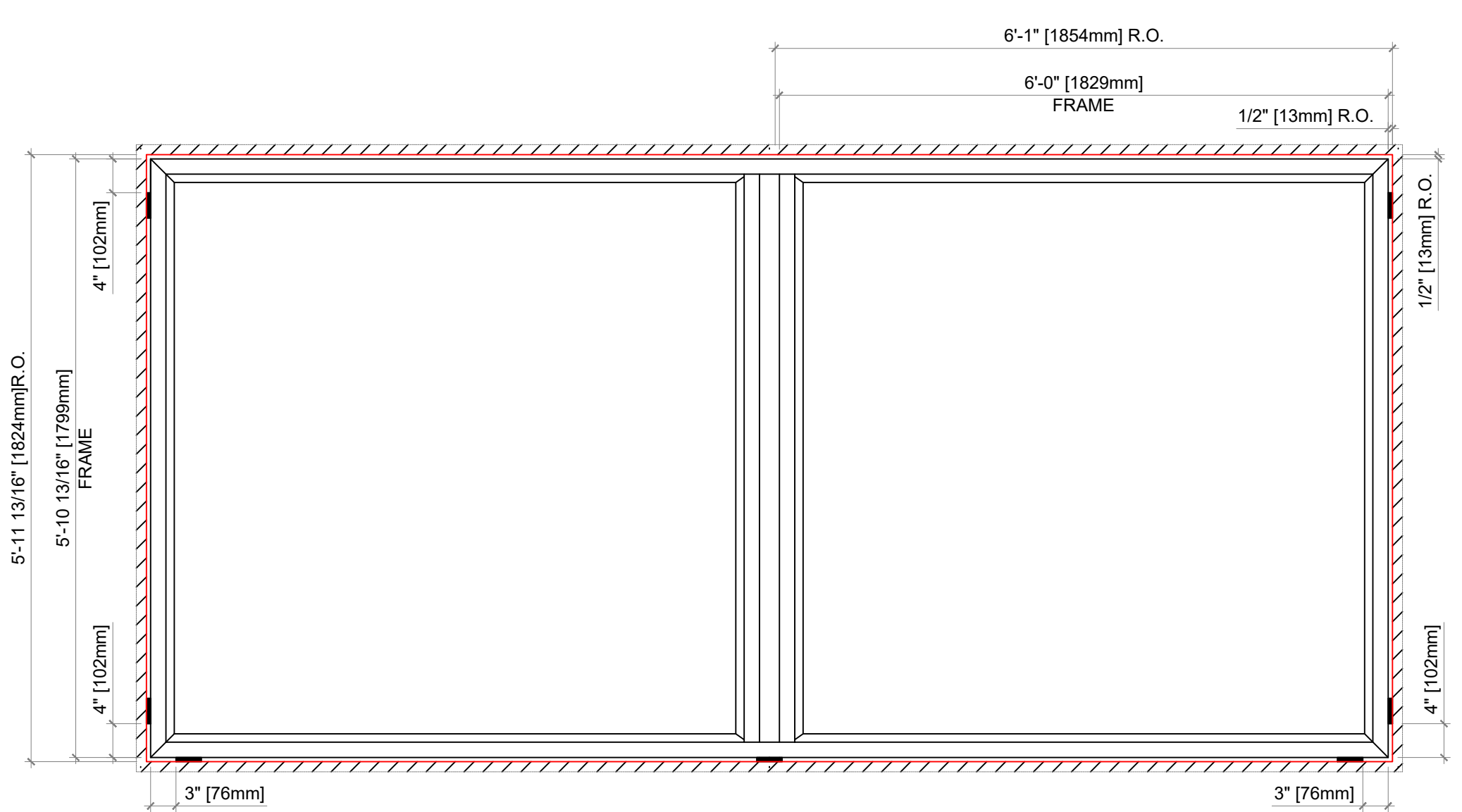


**Rules for Shim:**

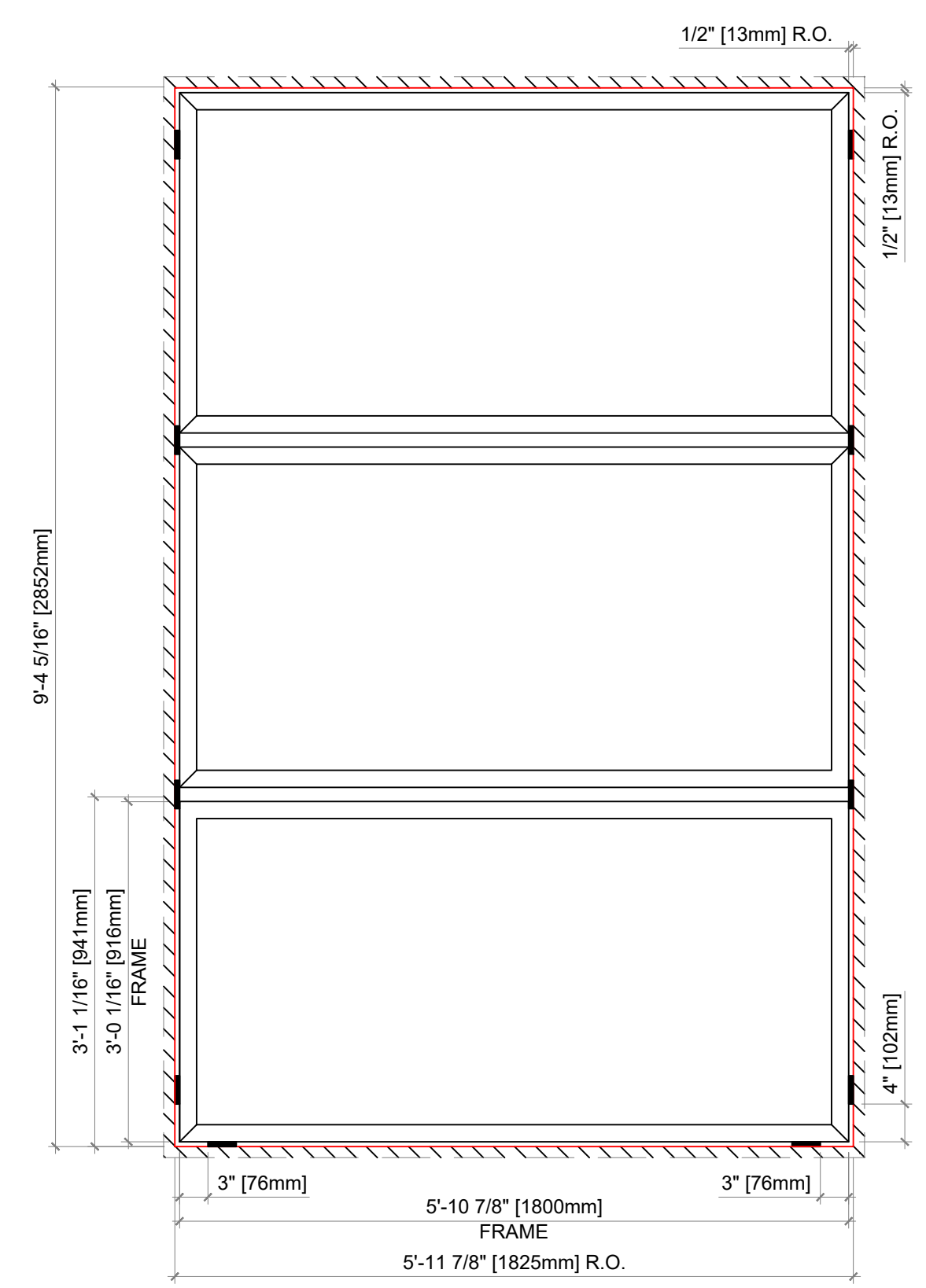
Typical for all 4 sides is 1/2" (12mm)  
 Max is 3/4" (18mm)  
 Min is 1/4" (6mm)

**2** Rough Opening Shim/Insulation Cavity  
 DG-IIA SCALE: 1:2

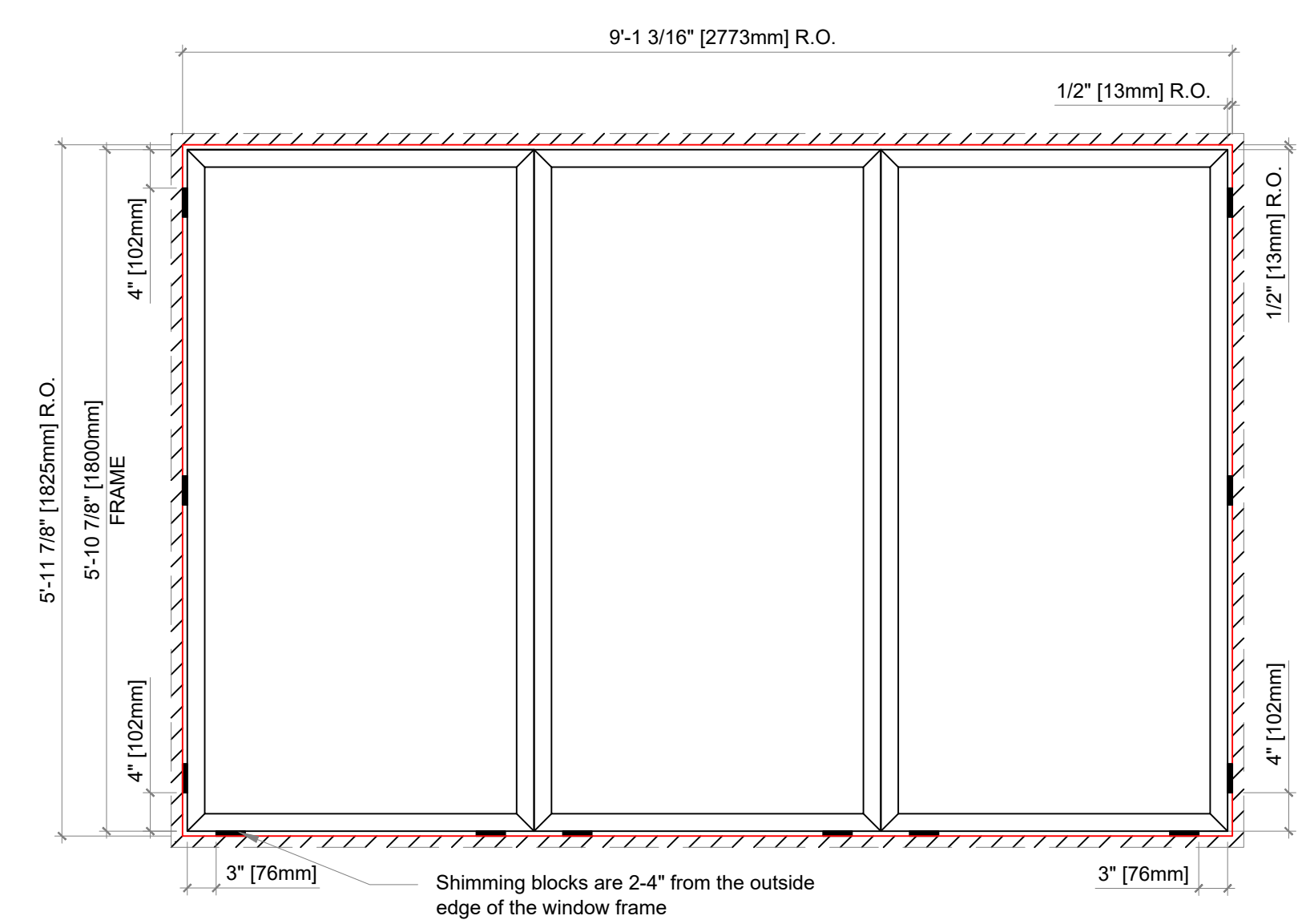
Elevation key:



**3** Shim Placement - Typical Size Factory Mullered Window  
 DG-IIA SCALE: 1:16 (FIXED OR OPERABLE)



**4** Shim Placement - Vertical Frame to Frame  
 DG-IIA SCALE: 1:16



**5** Shim Placement - 3 Frame to Frame Mullered Window  
 DG-IIA SCALE: 1:16 (FIXED OR OPERABLE)

A M B E R L I N E

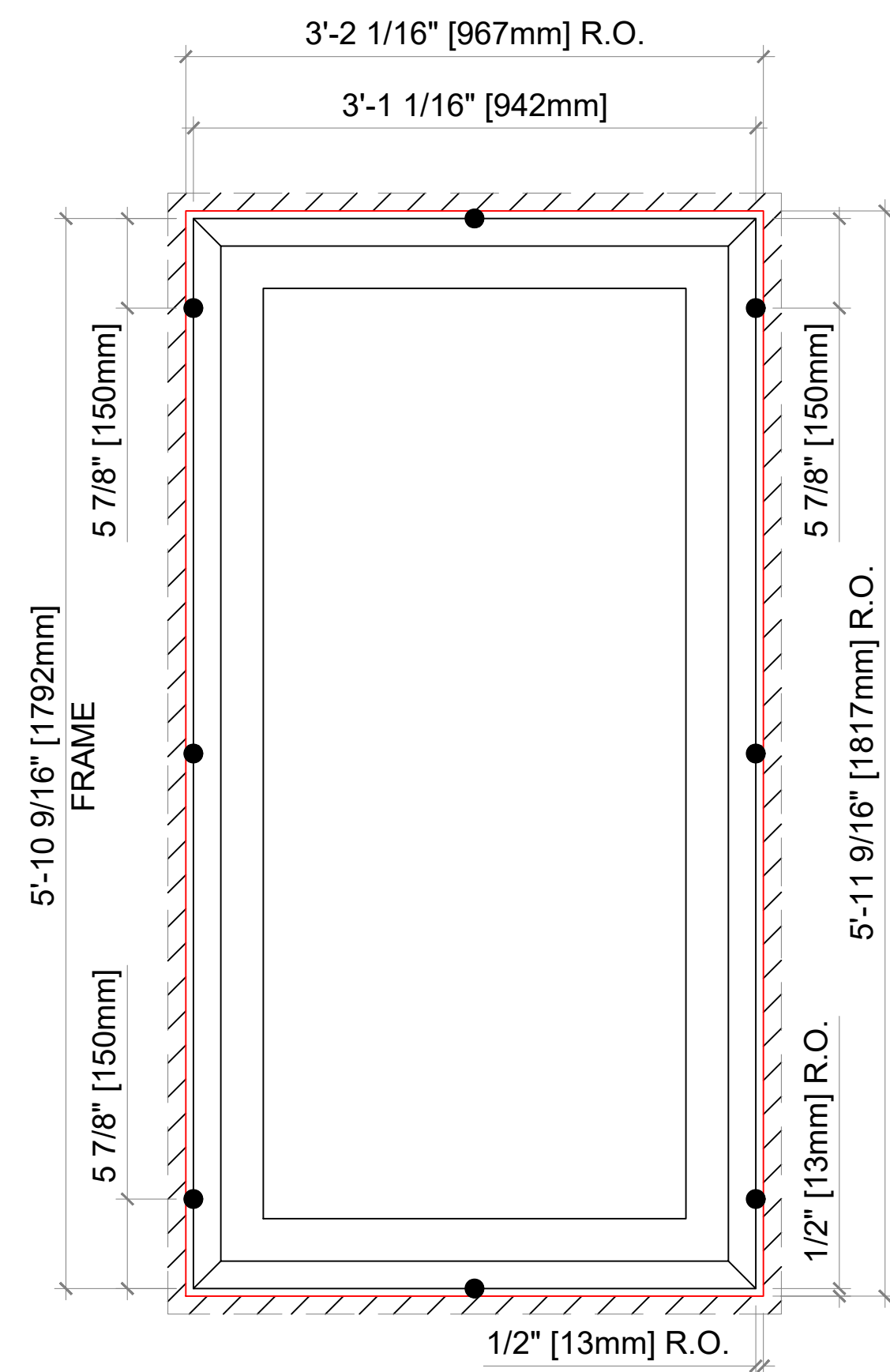
Notes:

Shimming blocks are 2-4" from the outside edge of the window frame.

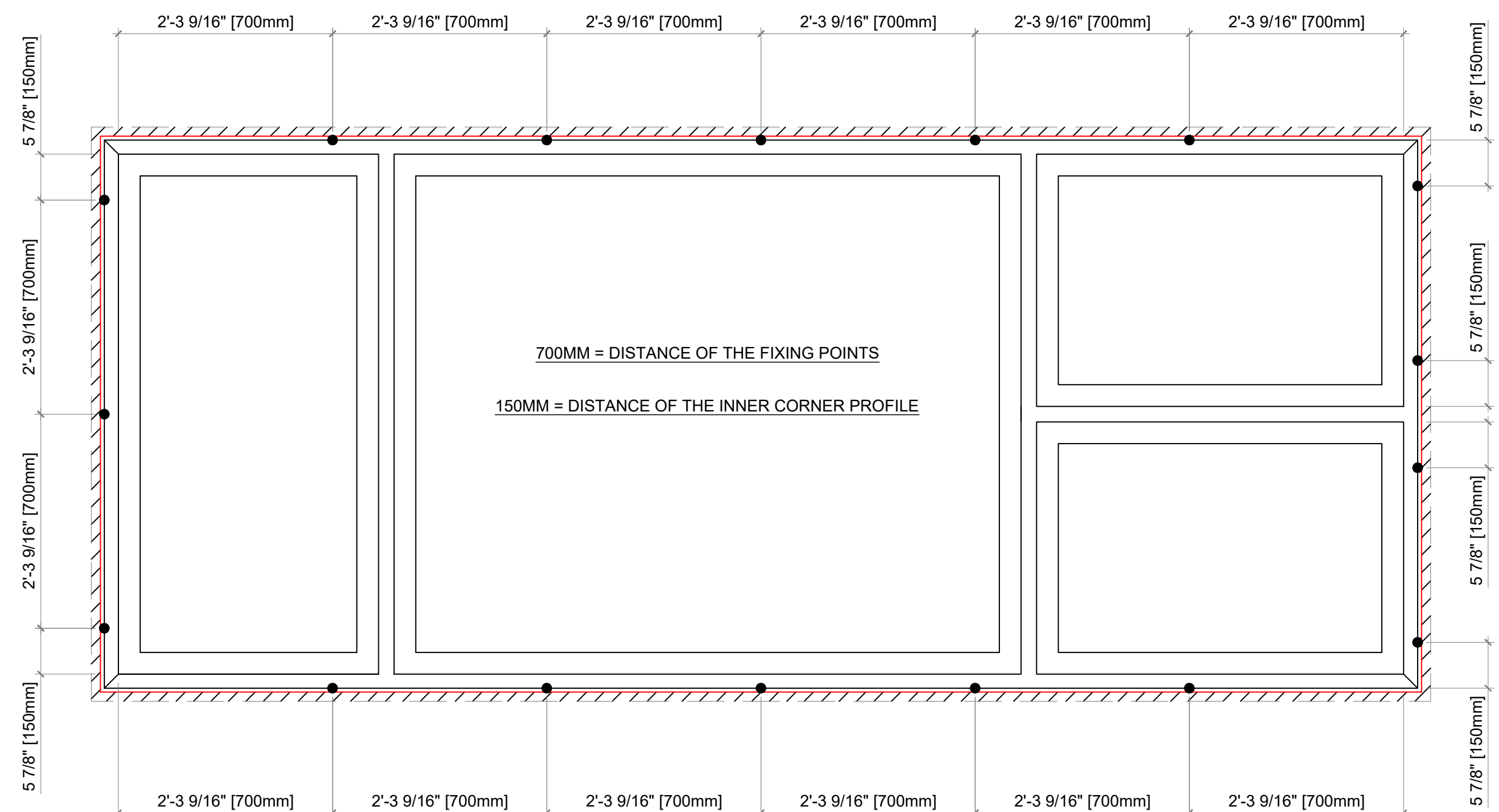
█ = SHIMMING / PACKING BLOCKS (PLASTIC OR COMPOSITE SHIMS MEANING NO WOOD SHIMS)

I I A

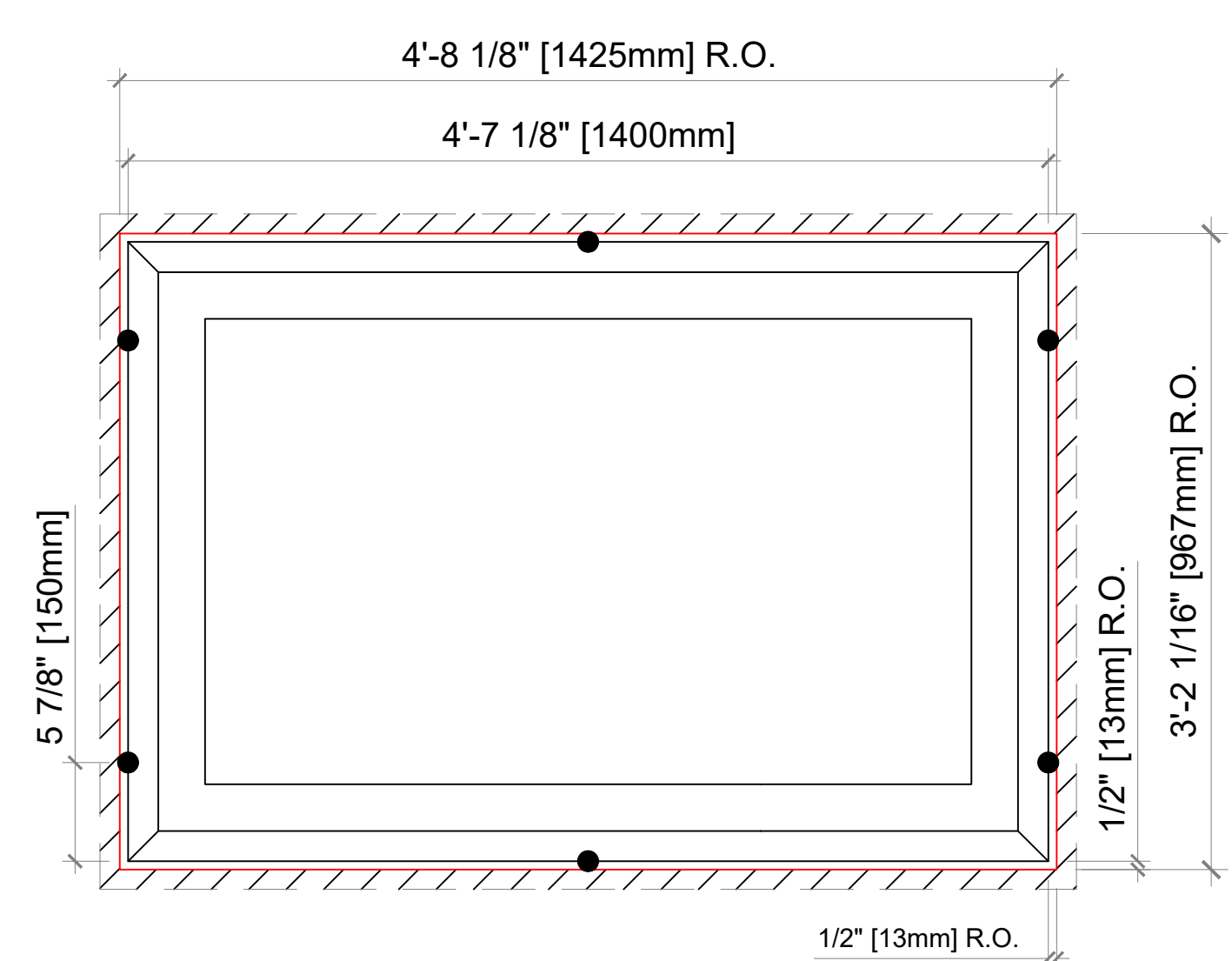
Detail Type : Shimming of the uPVC Window Elements	
Drawing Title : Amberline uPVC Window Shimming & Anchoring Guidelines	
Date : 2020-10-20	Scale : Refer to Drawing
Drawn By : CN	
Drawing No : DG-01	



**1** Strap Placement - Fixed Window 942x1792mm  
 DG-IIB SCALE: 1:10

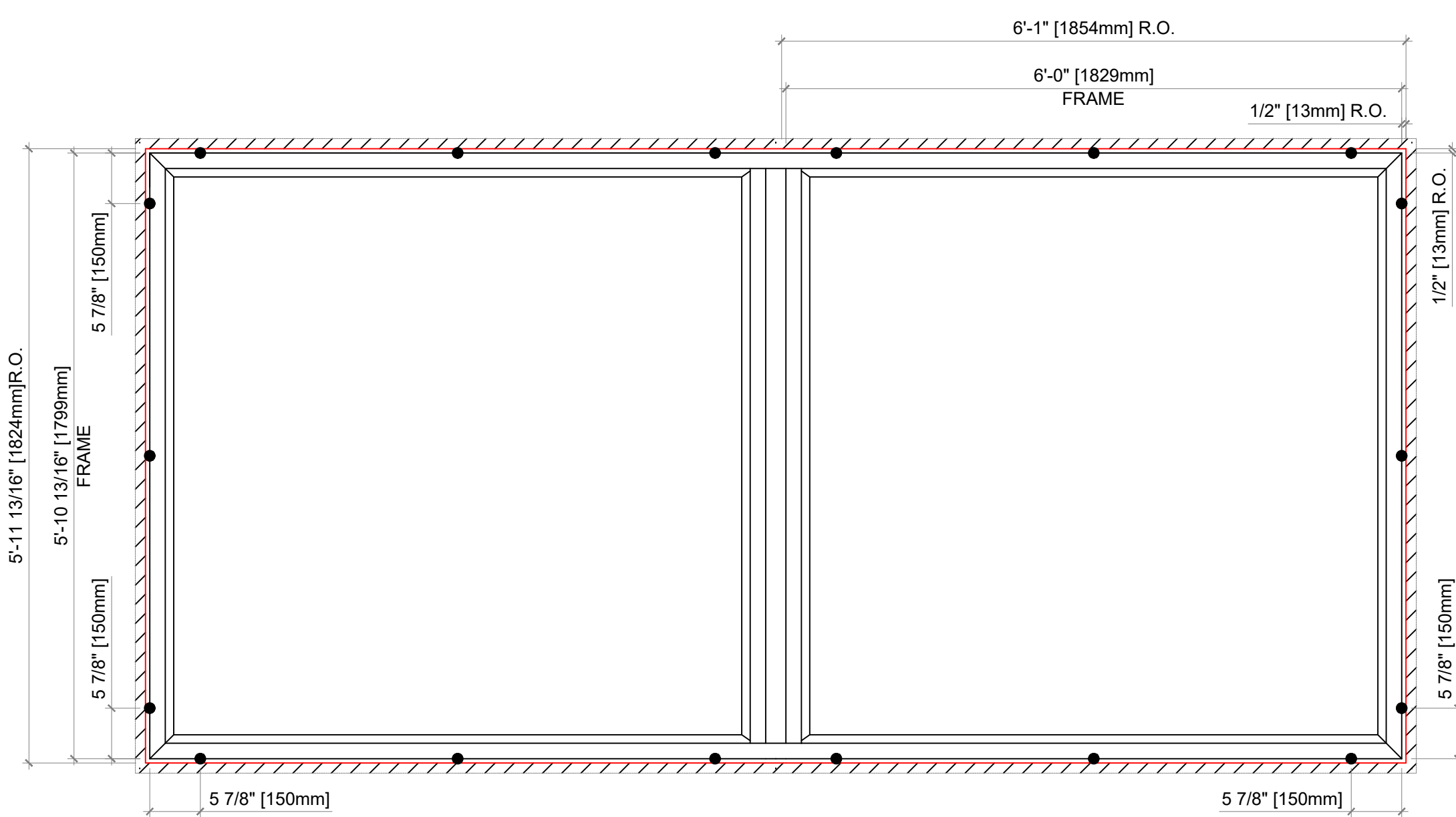


**2** Distances for the Straps  
 DG-IIB SCALE: 1:15

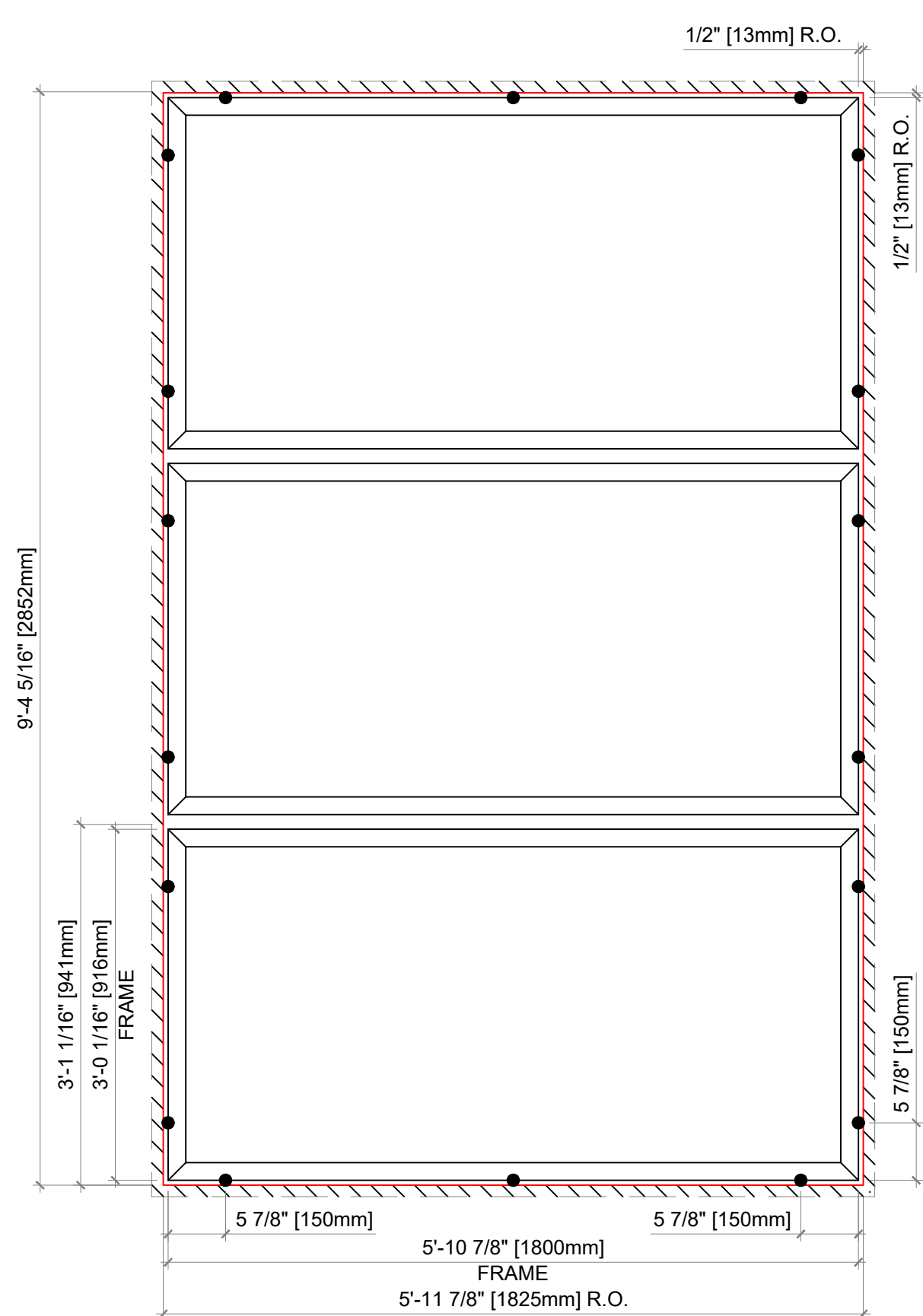


**3** Strap Placement - Fixed Window 1400x942mm  
 DG-IIB SCALE: 1:10

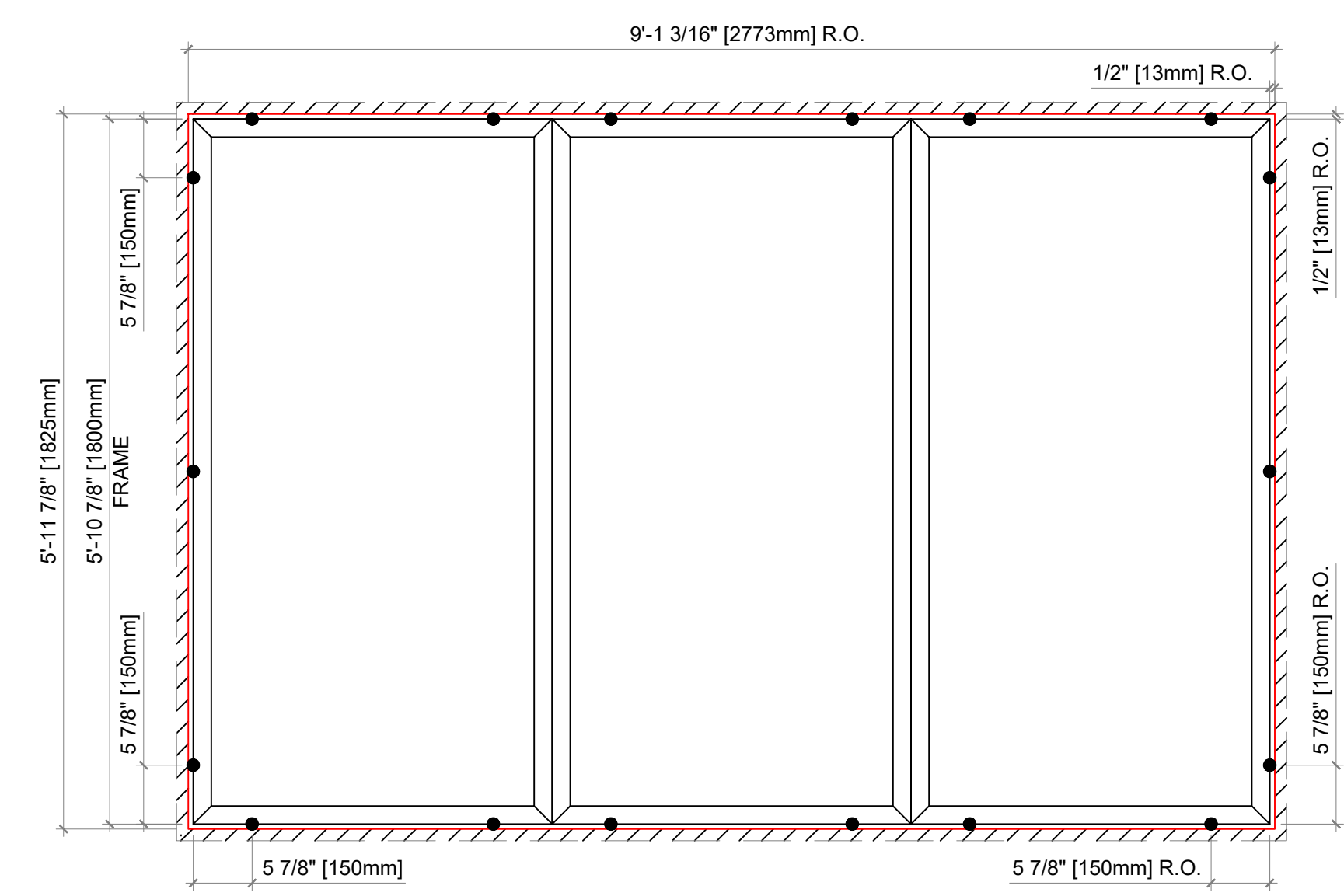
Elevation key:



**4** Strap Placement - Typical Size Factory Muller Window  
 DG-IIB SCALE: 1:10



**5** Strap Placement - Vertical Frame to Frame  
 DG-IIB SCALE: 1:10



**6** Strap Placement - 3 Frame to Frame Muller Window  
 DG-IIB SCALE: 1:10

A M B E R L I N E

Notes:

Typical uPVC frame strap installation at the sill, 70, 76 and 82mm frame profiles (jamb and head are the same with or without the sub sill profile).

● = Strap Placement

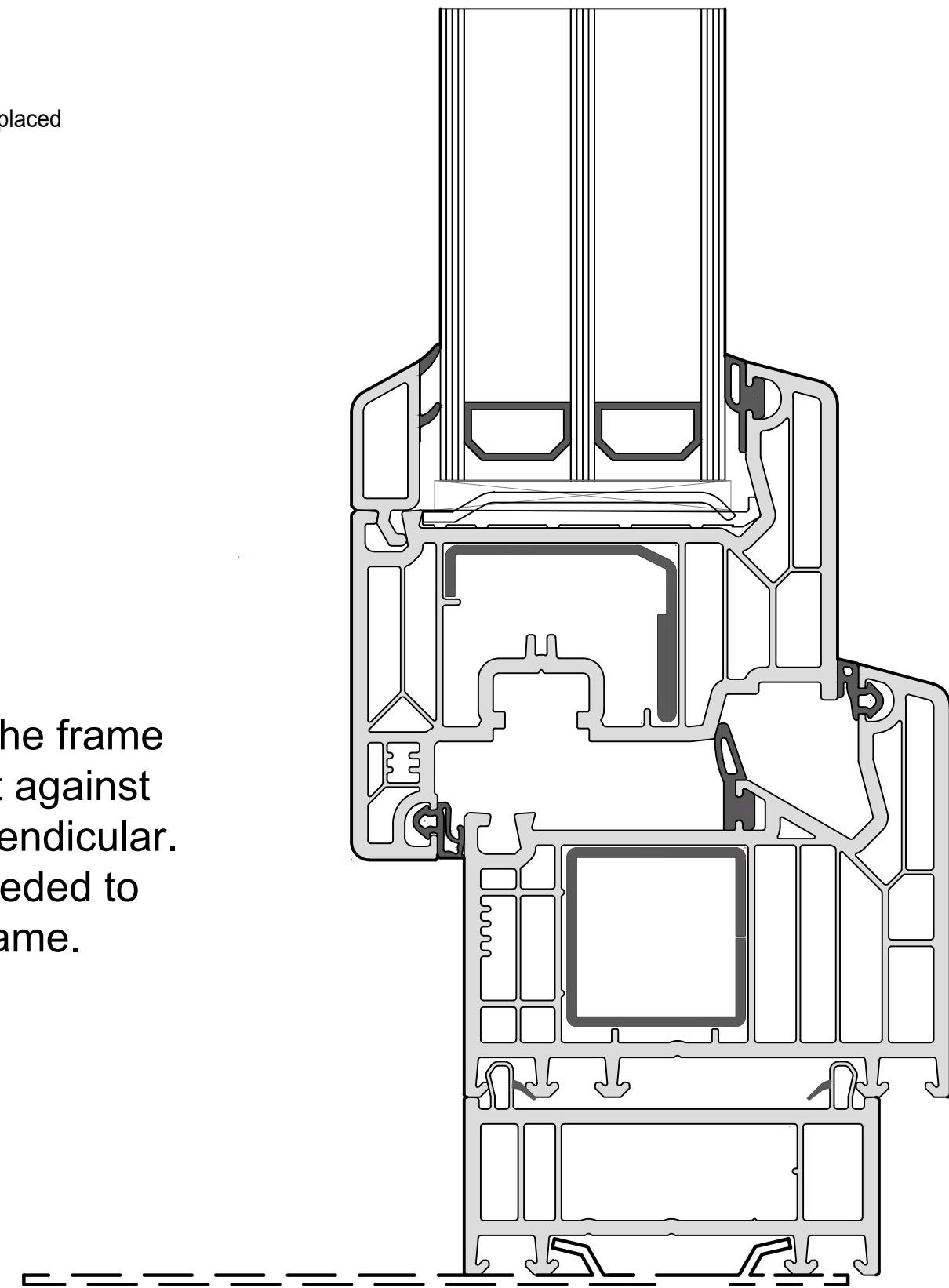
IIB

Detail Type : Arrangement of the Straps for uPVC Windows	
Drawing Title : Amberline uPVC Window Shimming & Anchoring Guidelines	
Date : 2020-10-20	
Drawn By : CN	Scale : 1:10
Drawing No : DG-0	

Elevation key:

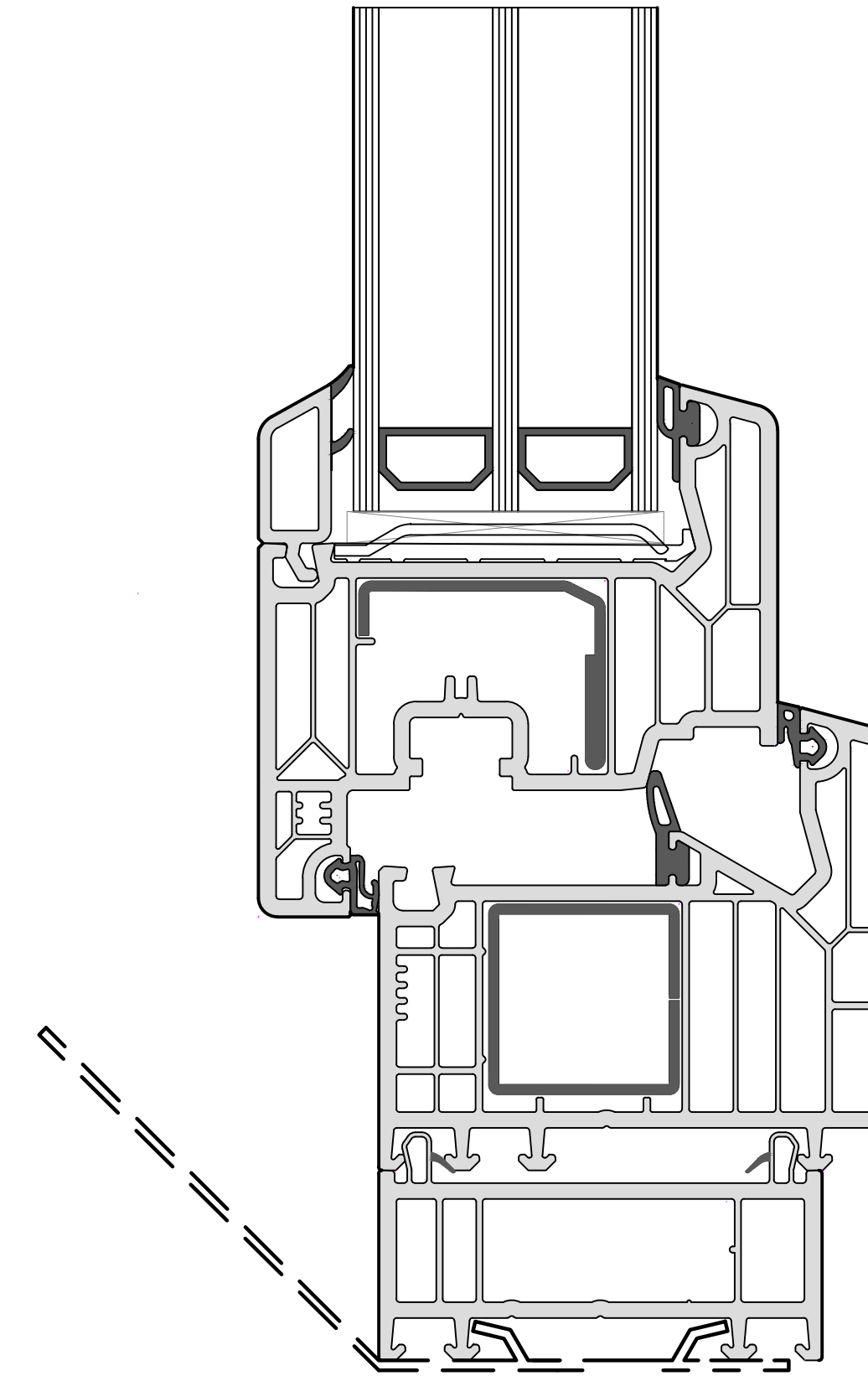
1 Step 1: uPVC Strap Installation  
DG-IIC SCALE: 1:1 Before the unit is placed in the opening

Rotate the strap flat into the frame channel so that it sits flat against the uPVC frame and perpendicular. Typically no screw is needed to fix the strap to the frame.



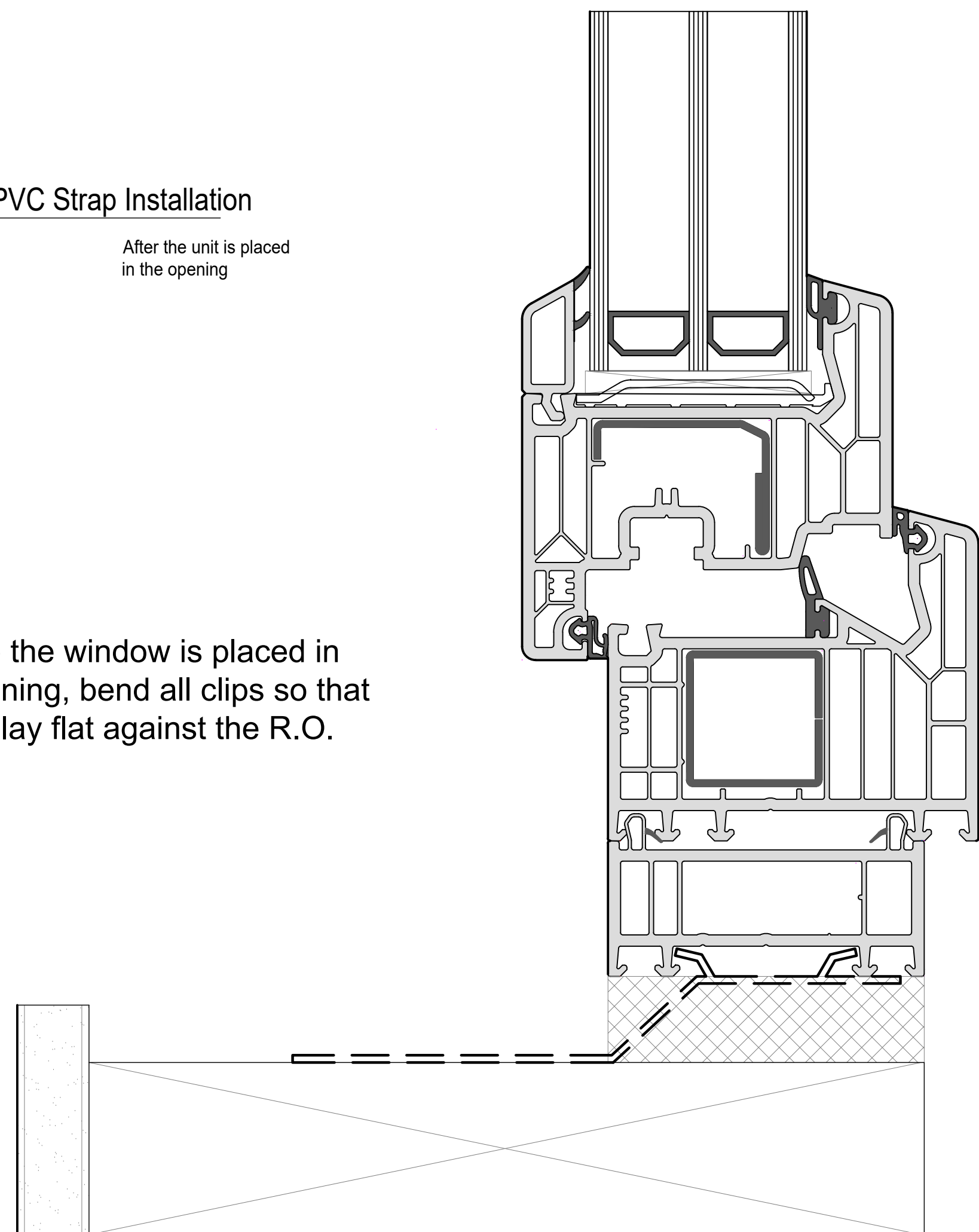
2 Step 2: uPVC Strap Installation  
DG-IIC SCALE: 1:1 Before the unit is placed in the opening

Bend all straps inward before placing the window in the opening.



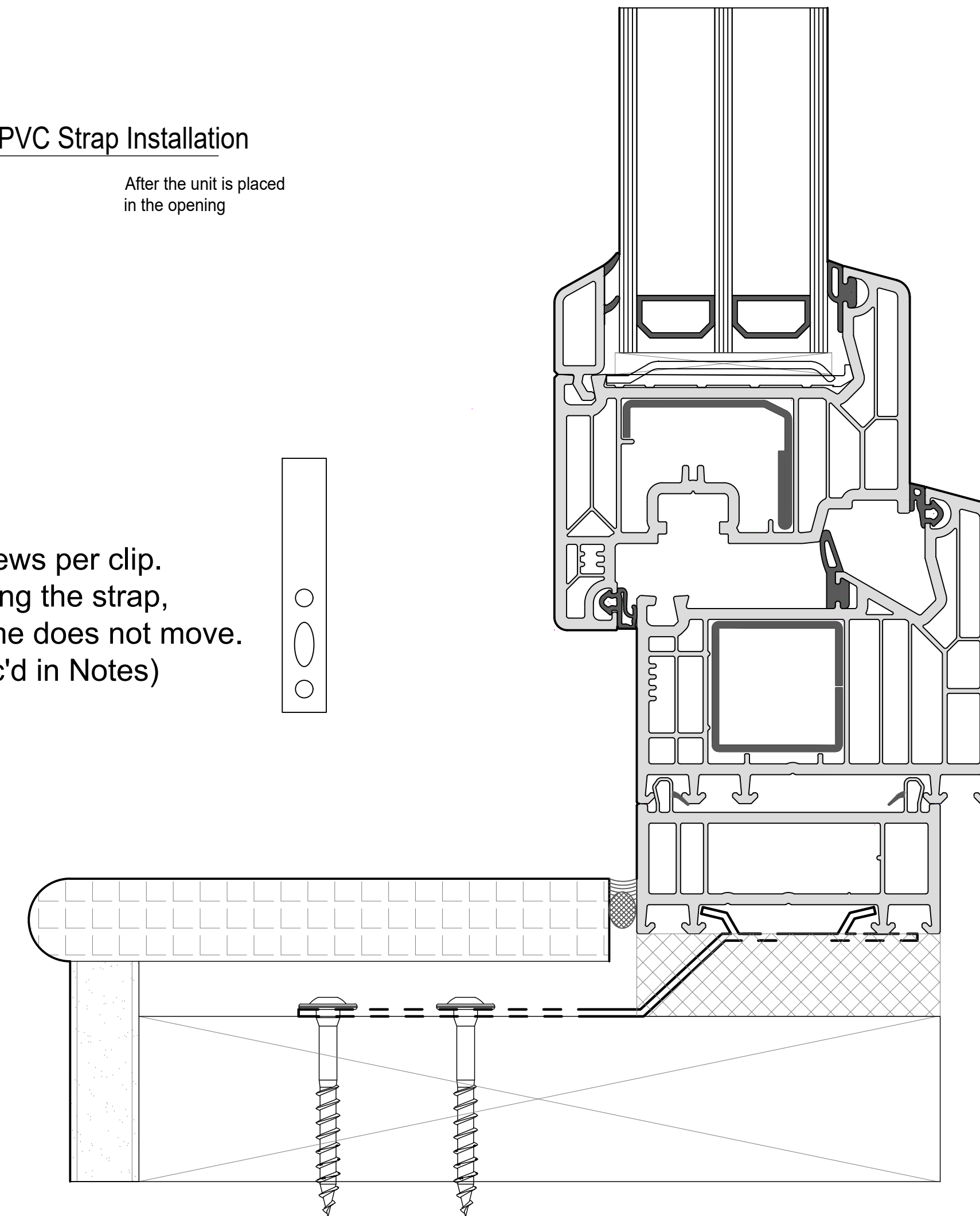
3 Step 3: uPVC Strap Installation  
DG-IIC SCALE: 1:1 After the unit is placed in the opening

Once the window is placed in the opening, bend all clips so that they lay flat against the R.O.



4 Step 4: uPVC Strap Installation  
DG-IIC SCALE: 1:1 After the unit is placed in the opening

Fasten 2 screws per clip. When fastening the strap, make sure the frame does not move. (screws spec'd in Notes)



A M B E R L I N E

Notes:

IIC

Detail Type : uPVC Window Strap Installation

Drawing Title : Amberline uPVC Window Shimming & Anchoring Guidelines

Date : 2020-10-20

Drawn By : CN

Scale : 1:1

Drawing No : DG-0



**Shim and Strap Notes:**

*If any notes are NOT met, your system warranty will be voided.*

**Shim Notes:**

- WHEN THE WINDOW IS OVER 5 FEET IN HEIGHT, ADD SHIMS AS NEEDED AT THE JAMBS TO KEEP THE PROFILE STRAIGHT.
- WHEN THE BUILDING IS OVER 3 STORIES, THE SHIMMING COULD CHANGE AND/OR MAY NEED TO ADD MORE STRAPS DEPENDING ON THE WIND-LOAD. ANY ADDITIONAL INFORMATION WILL BE PROVIDED WITH THE PROJECT SPECIFIC SHOP DRAWING.
- NO SHIMS ARE USED AT THE HEAD. SHIMS OR WEDGES CAN BE USED TEMPERATELY FOR INSTALLATION. (SEE DIAGRAM)
- ONLY 2 SHIMS ARE USED AT CORNERS ON THE SILL TO TRANSFER THE UNIT'S DEAD LOAD PATHS. **NO SHIMS ARE TO BE USED IN THE MIDDLE OF THE PROFILE.**
- IF THE SHIM CAVITY IS LARGER THEN  $\frac{3}{4}$ ", PAD ROUGH OPENING TO DECREASE THE R.O. GAP TO BELOW  $\frac{3}{4}$ ".

**Strap Notes:**

- ONLY USE THE PROVIDED AMBERLINE STRAPS ON A AMBERLINE WINDOW. SOME STRAPS WILL LOOK SLIGHTLY DIFFERENT BUT THEY ALL WORK THE SAME.
- STRAPS ARE PLACED EVERY 700MM. IF THERE IS AN UNEQUAL DIVISION, ADD ONE MORE EVENLY DISTRIBUTED STRAPS. (SEE DIAGRAM)
- WHEN THE WINDOW IS UNDER 1400MM / 55" WIDTH - ONE STRAP PLACED IN THE CENTER OF THE WINDOW. (SEE DIAGRAM)
- WHEN THE WINDOW IS OVER 1400MM / 55" WIDTH - TWO STRAPS EQUALLY SPACED. (SEE DIAGRAM)
- THERE MUST BE TWO SCREWS PER ANCHORING STRAP, SCREWS NEED TO BE EMBEDDED  $1\frac{1}{2}$ " WITH GRK #8 1-1/2" CABINET SCREWS OR EQUIVALENT (GRK #8  $1\frac{1}{2}$ " WOOD SCREWS).
- THE STRAP MUST BE BENT AND SITTING FLAT AGAINST THE BUILDING ROUGH OPENING. (SEE STEPS FOR WINDOW STRAP INSTALLATION ABOVE)

A M B E  L I N E

Notes:

IID

Detail Type : uPVC Window Shimming &amp; Strapping Notes

Drawing Title : Amberline uPVC Window Shimming &amp; Anchoring Guidelines

Date : 2020-10-20

Drawn By : CN

Scale : 1:1

Drawing No : DG-0