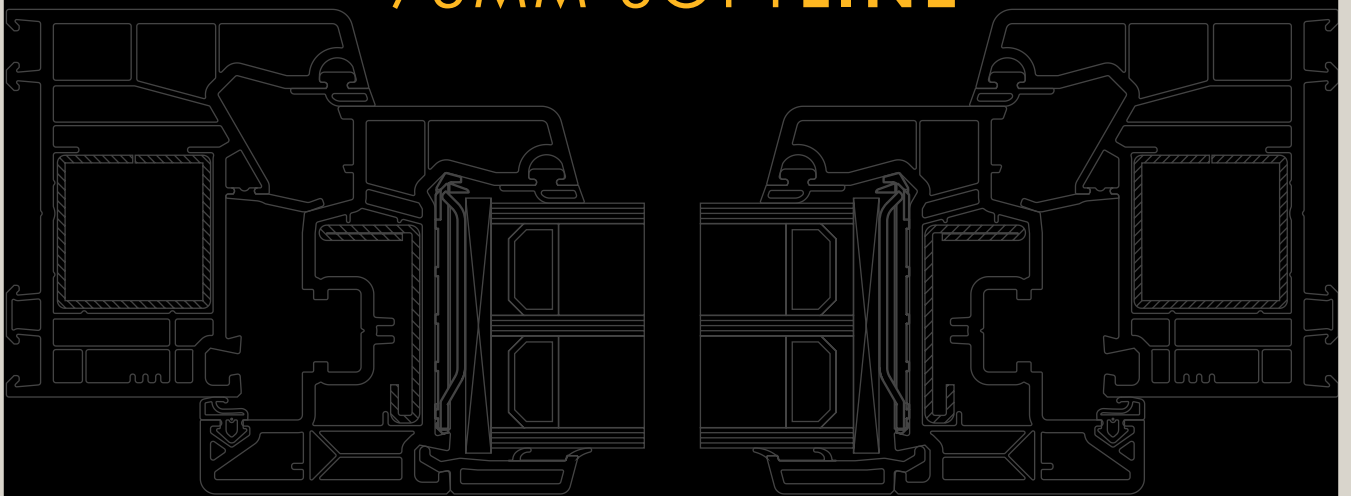


A M B E **R** L I N E

HIGH PERFORMANCE WINDOWS AND DOORS

76MM SOFTLINE



UPVC WINDOWS

76MM SOFTLINE

THE AMBERLINE 76MM SOFTLINE IS OUR MOST VERSATILE SYSTEM WITH THREE STANDARD GASKETS AND A DEEPER GLAZING POCKET FOR EUROPEAN TRIPLE GLAZING. ALONG WITH OTHER UNIQUE INDUSTRY-LEADING FEATURES, THIS SYSTEM MAKES AN EXCELLENT CHOICE FOR COMMERCIAL AND RESIDENTIAL BUILDINGS. IT RETAINS A SLEEK LOW PROFILE AESTHETIC WHILE RAISING THE BAR IN THERMAL PERFORMANCE. AN IDEAL CHOICE FOR A COMMERCIAL PASSIVE HOUSE PROJECT OR A PERFORMATIVE UPGRADE, IT IS ADDED WITHOUT MAJOR EXPENSE OR COMPLEXITY. SAVING MONEY DOES NOT MEAN SACRIFICING PERFORMANCE OR DURABILITY.



VEKA BY AMBERLINE 76MM SOFTLINE WINDOWS

1. ONLY CLASS A VEKA PROFILES

“Class A: defined by minimum wall thickness of 3mm and no larger deviation than +/- 0.02mm.

2. 76MM SASH FACE WIDTH STANDARD

Designed with a slim sash.

3. SIX-CHAMBER

Class-leading thermal performance.

4. DEEP GUTTER TO DIRECT WATER

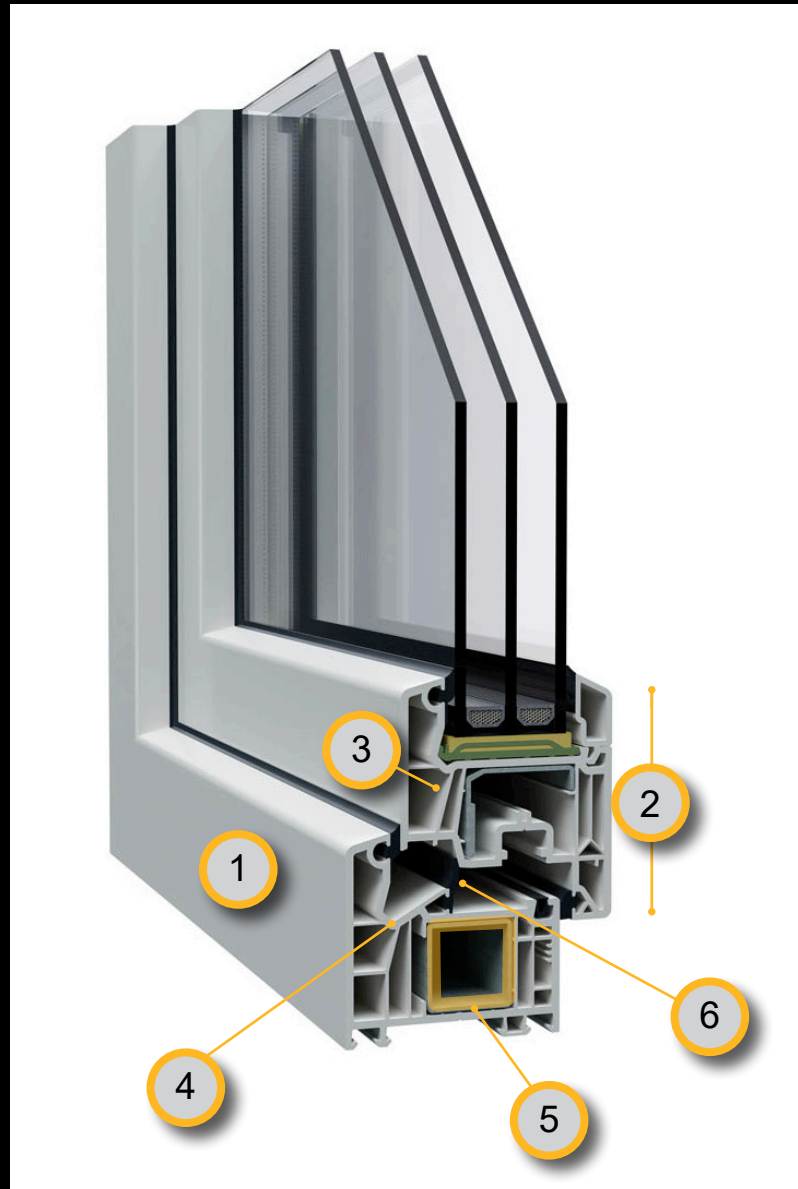
Water is redirected more efficiently through gutter to the weep holes.

5. FULL GALVANIZED FRAME

Veka is one of the only system suppliers to use a fully boxed frame to increase durability and strength. Other suppliers commonly use “C” or “L” profiles to reduce cost at the expense of strength.

6. MD FRAME HAS INTERMEDIATE GASKET

The intermediate gasket is an essential element in our frames. It increases thermal performance with an additional airtight chamber that directs water away from the center of the frame, and into the gutter below.



TILT BEFORE TURN HARDWARE

With the option to lock the turn function, this hardware prevents falls from windows.

WINKHAUS AND HOPPE HARDWARE

Leading German manufacturers of window and door hardware, Amberline windows are fitted with Winkhaus operational hardware and Hoppe handles.



SOFTLINE

**HARDWARE AND
SPECIFICATIONS**

WINKHAUS

HARDWARE AND FITTINGS



ActivPilot Giant

The turn-tilt system for large windows.

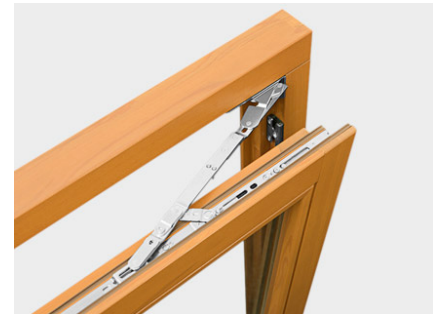
This new product for larger windows combines maximum load-bearing capacity with minimal installation requirements.



ActivPilot Ergo

The ergonomic turn-tilt system.

The fitting with assisted control offers the highest operating convenience for easy opening of difficult-to-access windows.



ActivPilot Select

The fully concealed turn-tilt system.

When installed as a standard model, this elegantly designed turn and tilt fitting is able to bear sashes up to 222 lbs.



ActivPilot Concept

The functional turn-tilt fitting.

With a combination of functionality, security, and operating comfort, this fitting offers a high level of flexibility and fulfills the highest visual design needs.



ActivPilot Control

A new benchmark in window monitoring.

Using electronics, this system enables you to monitor which windows and doors are open or locked. This allows control over climate, extraction, and alarm.

THE WINKHAUS
ACTIVPILOT SERIES HAS
FEWER COMPONENTS
WHICH PROVIDES
DISTINCT ADVANTAGES



GLAZING

OPTIONS FOR SOFTLINE 76MM

PRESSGLASS PROVIDES AMBERLINE WITH GLAZING SOLUTIONS THAT ARE IGCC AND ANSI CERTIFIED. MANUFACTURED IN HOUSE, PRESSGLASS SERVES THE WINDOWS + DOORS, FACADES, AND INTERIOR GLASS CONSTRUCTIONS MARKETS.

Triple and Double Glazing

Triple Glazing is a high performance option for this frame depth

Standard SHGC Range

This Range includes 25/35/45/55

Acoustics

Standard 31 STC double and triple IGU

Higher acoustic assemblies can be tailored to specific project needs

Spacers

Standard warm edge (16-18mm) spacers for double and triple assemblies

Glazing Options

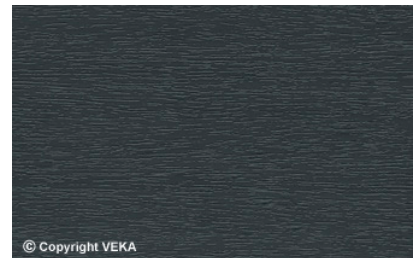
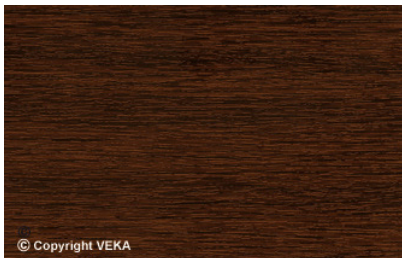
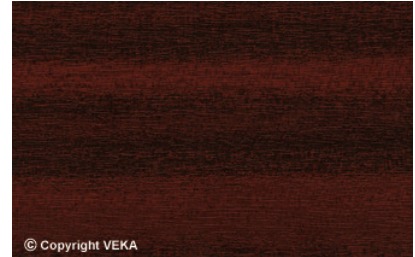
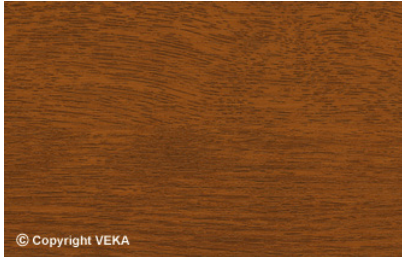
Laminate, heat-soaked, tempered (ESG)



FRAME COLORS

SOFTLINE 76MM

STANDARD COLORS Golden Oak, Nut, Mahogany, Moor Oak, Winchester, Anthracite and more.



SPECIAL COLORS

We offer a wide variety of special colors that can be added to the interior or exterior of the frame. We can also provide a different color on the interior and exterior of one window frame.



PLEASE CONTACT US FOR FULL LIST OF COLORS

FRAME COLORS

SOFTLINE 76MM

SPECIAL ALUMINUM COLORS

We also offer nine different aluminum foils.



Metbrush alu



Metbrush silver



Metbrush messing



Crown Platin



Alux DB 703



Quartz Platin



Earl Platin



Sheffield Oak Light



Jet Black

SPECTRAL COLORS

Spectral Colors are available in Anthracite, Platinum Grey, Umbra Grey, Milky White, Graphite Black. Spectral can be used on both sides of the frame, and can be used with Veka Colors.



Anthracite Ultramat



Platinum Grey Ultramat



Umbra Ultramat



Milky White Ultramat



Graphite Black Ultramat



PLEASE CONTACT US FOR FULL LIST OF COLORS

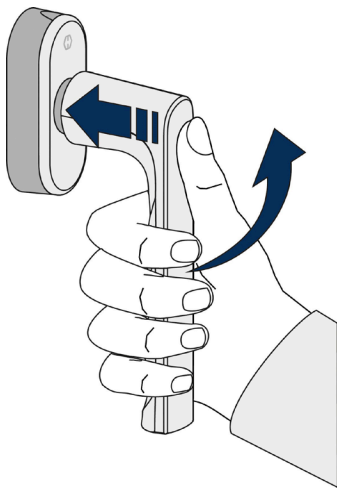
HANDLES AND OPERATION

OPTIONS FOR SOFTLINE 76MM



AMBERLINE PROVIDES MULTIPLE HANDLES AND STYLES

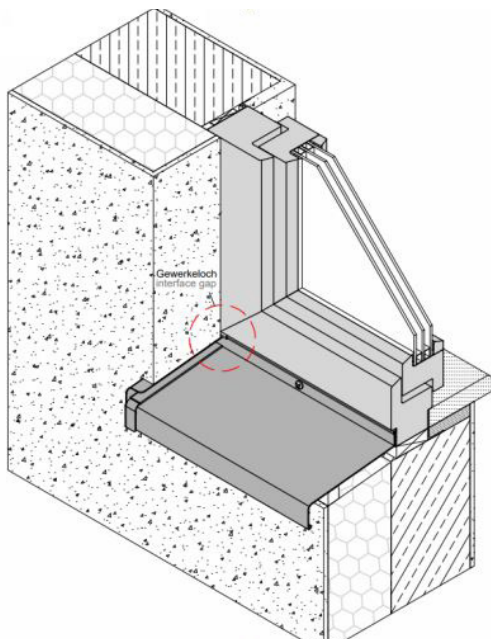
HANDLES COME IN SIX
STANDARD COLORS.
THE TILT BEFORE TURN
FUNCTION ALLOWS FOR
PROPER VENTILATION
WHILE ALSO PROVIDING
FALL PROTECTION.



PLEASE CONTACT US FOR A FULL LIST OF OPTIONS

GUTMANN ALUMINUM SILLS

OPTIONS FOR SOFTLINE 76MM

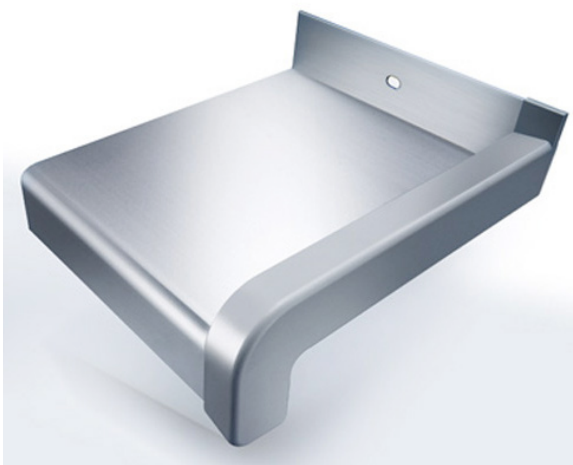


“UNLIKE ANY OTHER SYSTEM MANUFACTURER, GUTMANN RELIES ON THE MODULARITY, VERSATILITY, AND COMPATIBILITY OF THEIR PRODUCTS.”

-GUTMANN

EXTERIOR WINDOW SILL SIZE

Range from 50mm to 500mm



OPTIONS

Inside and outside dam corners

End Dams

Custom RAL color to match frame



A M B E R L I N E

HIGH PERFORMANCE WINDOWS AND DOORS

EVEN IN COLD CLIMATES, ISO THERMAL LINES ON THE 76MM CROSS SECTION SHOW THAT THERE IS NO CONDENSATION (SEE PAGE 16). THE WARM INTERIOR FACE OF THE FRAME INCREASES END USER COMFORT AS VERIFIED BY THE RATINGS BELOW.

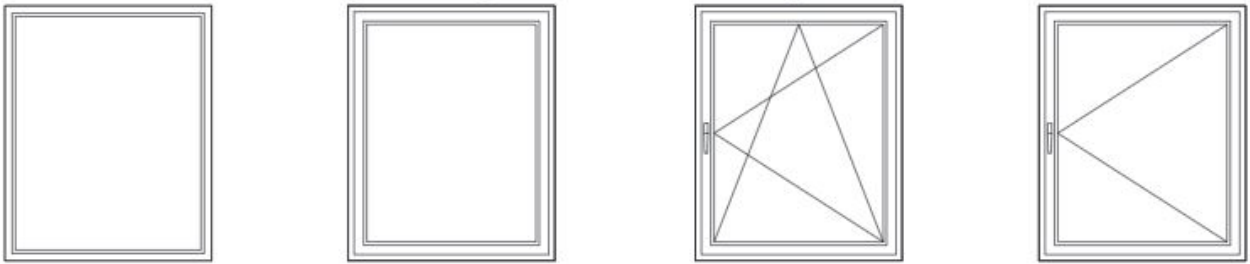
uPVC

VEKA by Amberline 76mm Softline

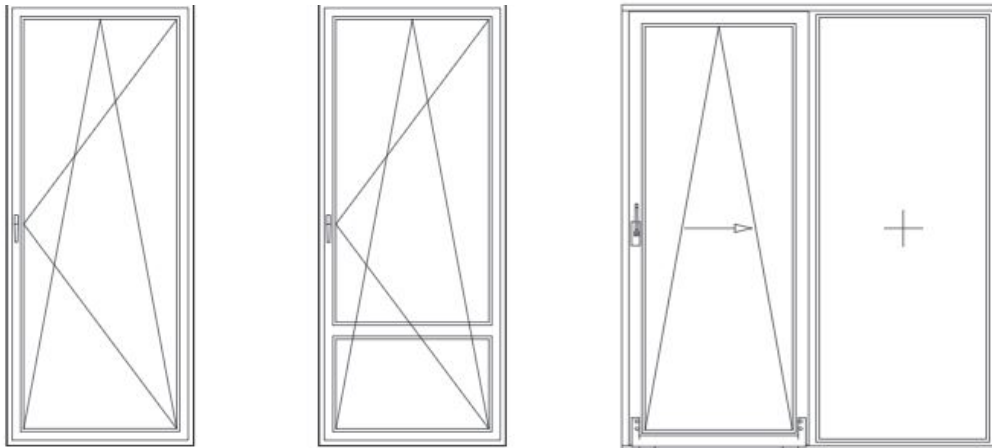
TEST	RATING/RESULTS
UW (U FACTOR SIMULATED) 36" X 65" OPERABLE TT	0.16 [BTU/ (H•SQFT•°F)
STRUCTURAL TEST PRESSURE PSF (PA)	70.18 PSF (3360 PA)
AIR INFILTRATION AT 1.57 PSF (AT 75 PA)	0.01 CFM/FT ² (0.2 L/S/M ²)
WATER PENETRATION RESISTANCE TEST PRESSURE PSF (PA)	12 PSF (574 PSF)
FORCED-ENTRY RESISTANCE (ASTM F-588-07)	GRADE 10 PASS
AAMA/WDMA/CSA 101/i.s.2/A440-11	CW-PG-DAW (48" X 71")

DETAILS AND DRAWINGS

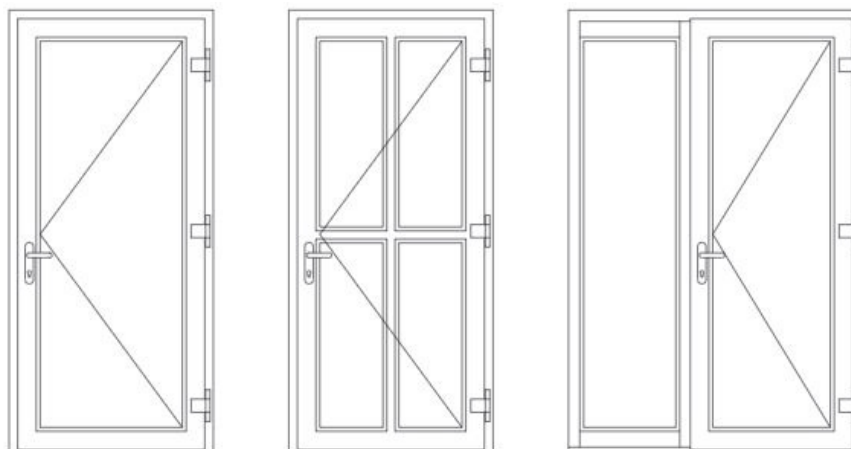
SOFTLINE 76MM CONFIGURATIONS



Windows: Fixed, Picture, Tilt/Turn, Factory and Site-Mulled, etc.



Patio Doors: Juliet Balcony, Slider, High or Low Threshold Patios and Balconies



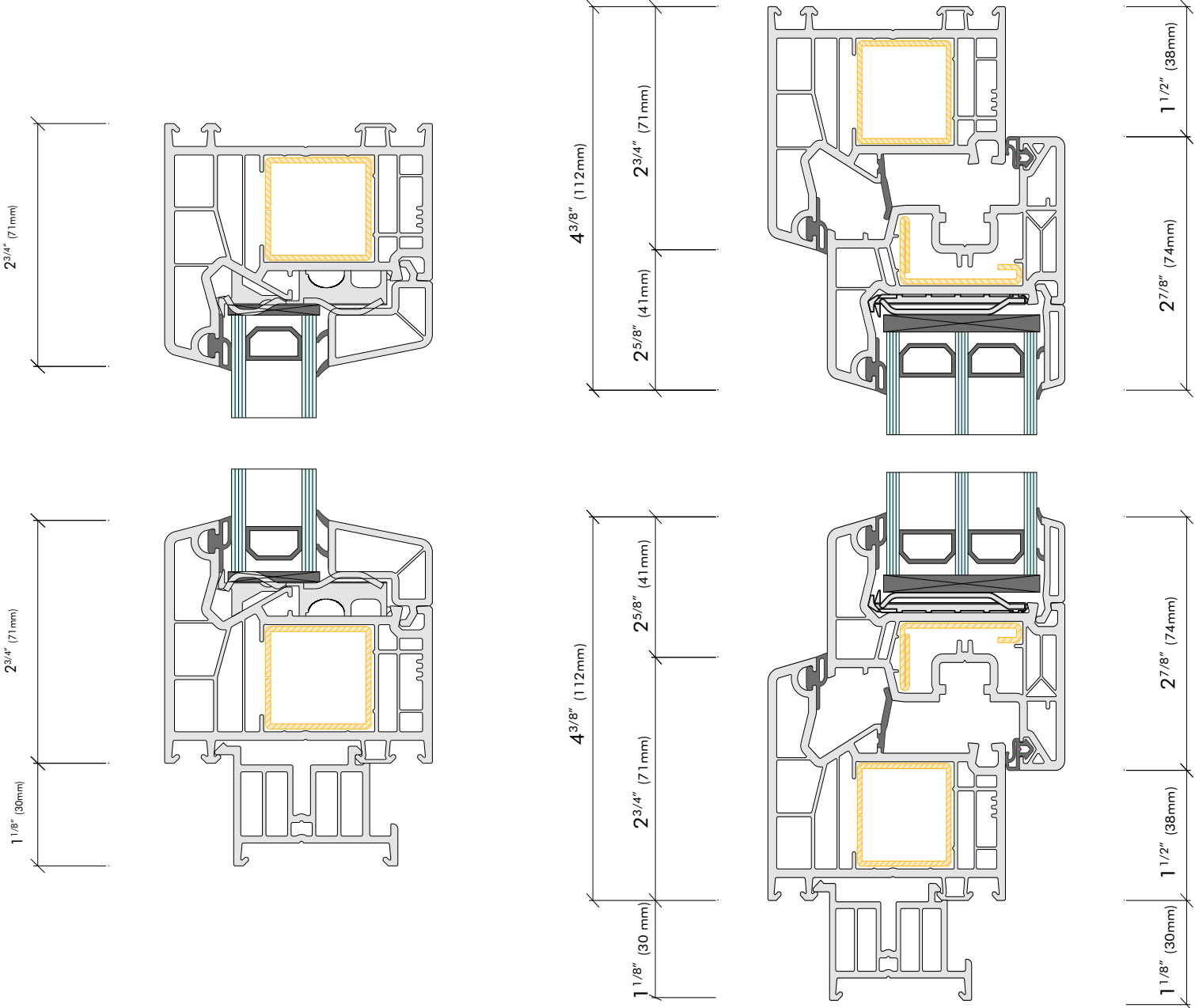
Entry Doors: Residential and Commercial Entry Doors

THERE ARE MANY MORE CONFIGURATIONS, COMBINATION AND SIZES POSSIBLE.

PLEASE CONTACT US FOR PROJECT SPECIFIC DETAILS.

DETAILS AND DRAWINGS

SOFTLINE 76MM



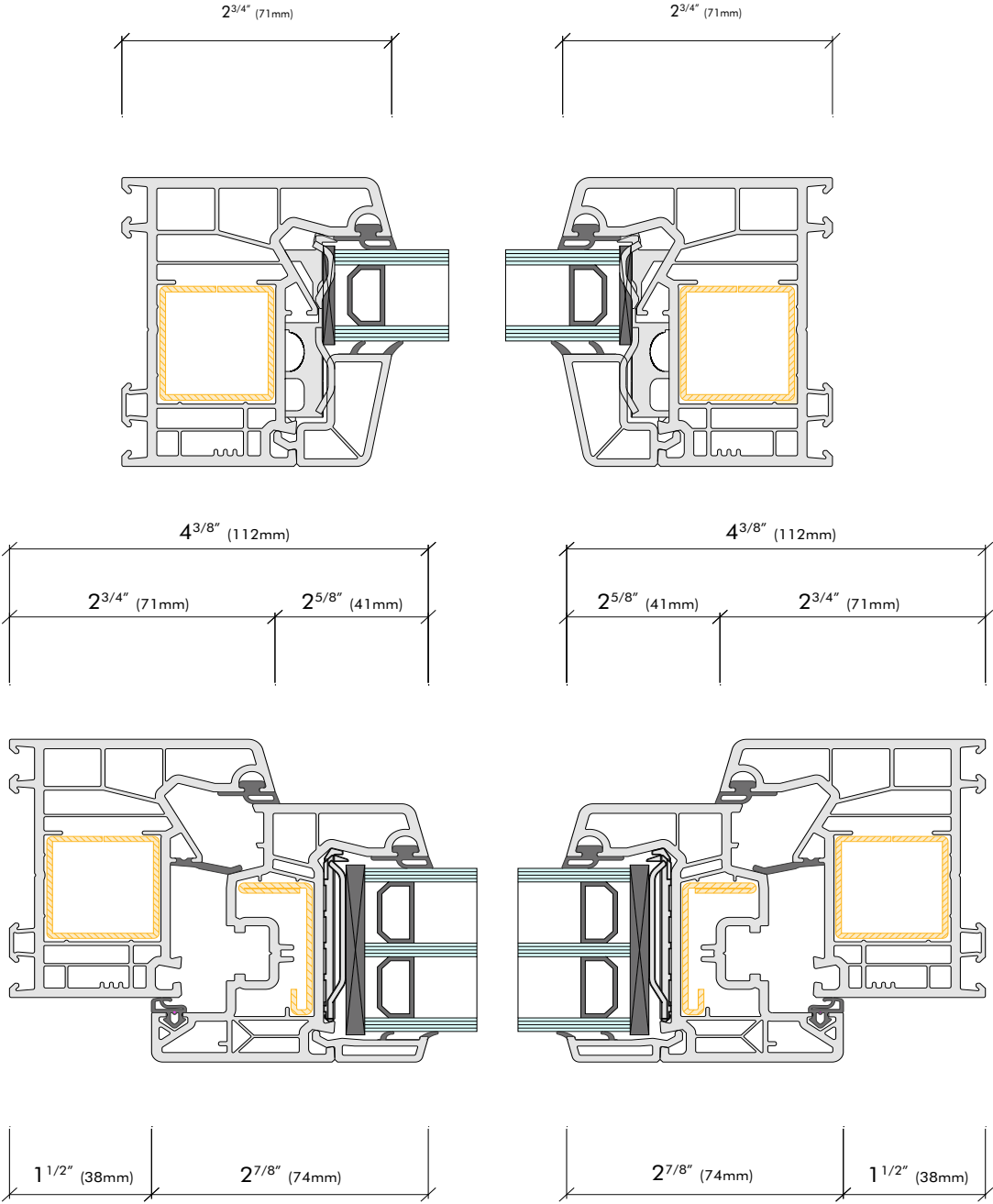
Head and Sill Section

Detail including fixed v. operable sashes

Double or Triple-pane available in all 76mm configurations

DETAILS AND DRAWINGS

SOFTLINE 76MM



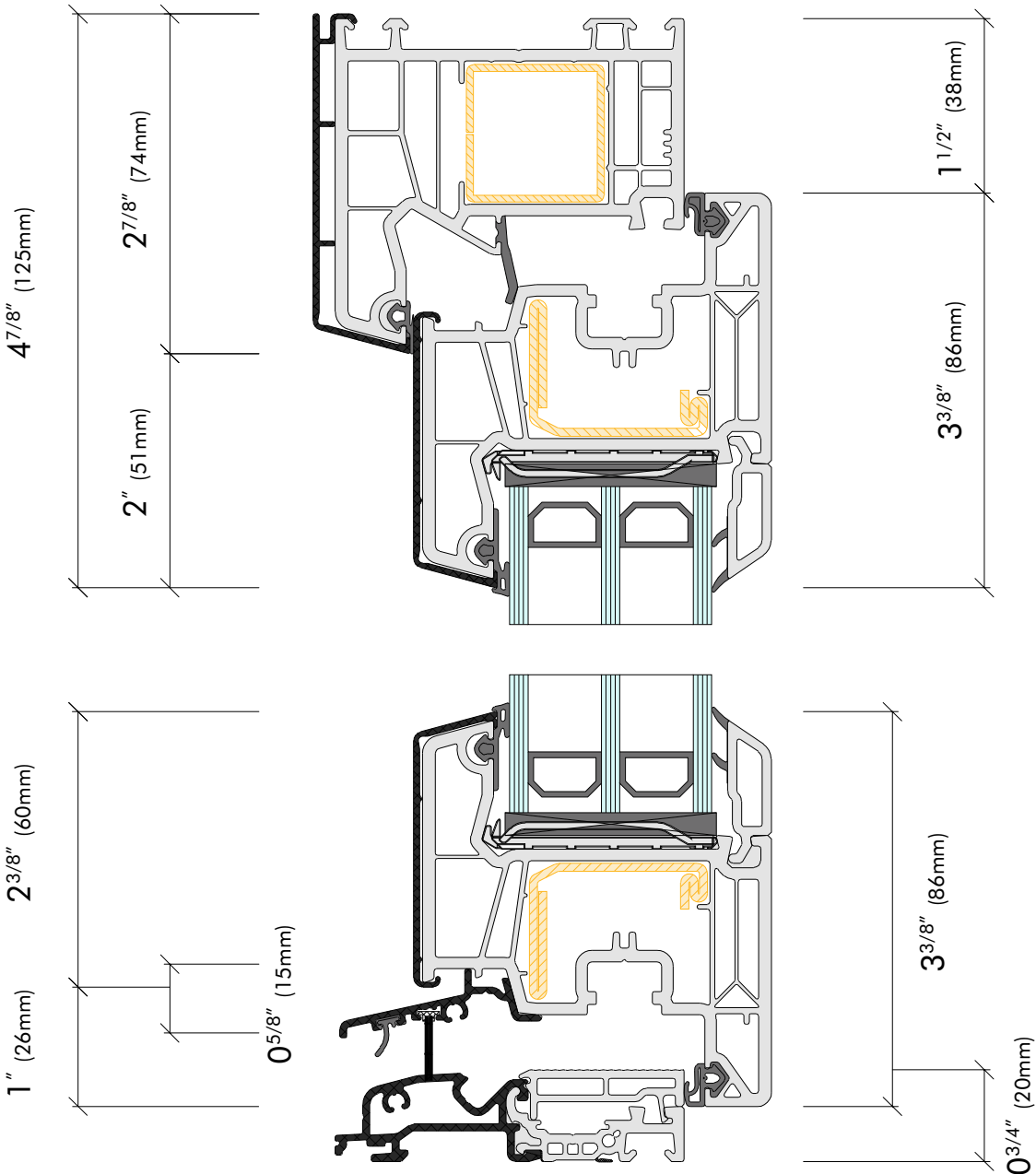
Jamb Section

Detail including fixed v. operable sashes

Double or Triple-pane available in all 76mm configurations

DETAILS AND DRAWINGS

SOFTLINE 76MM

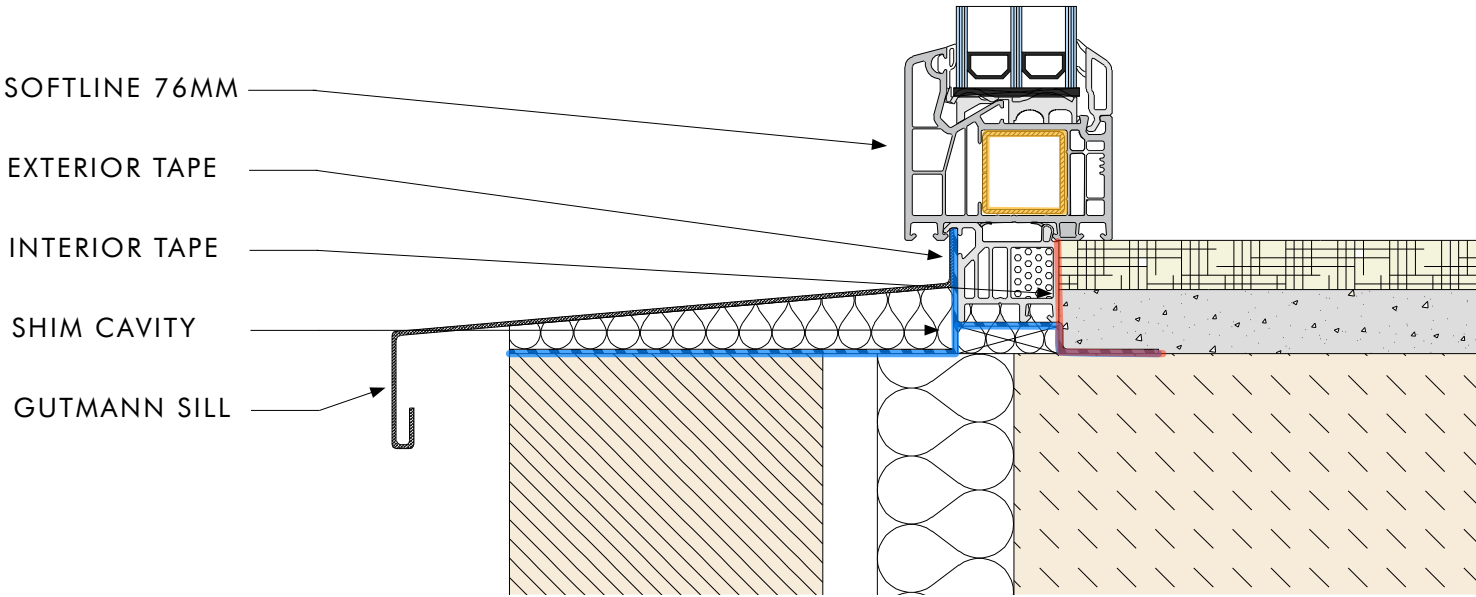


Head and Sill of Patio Door

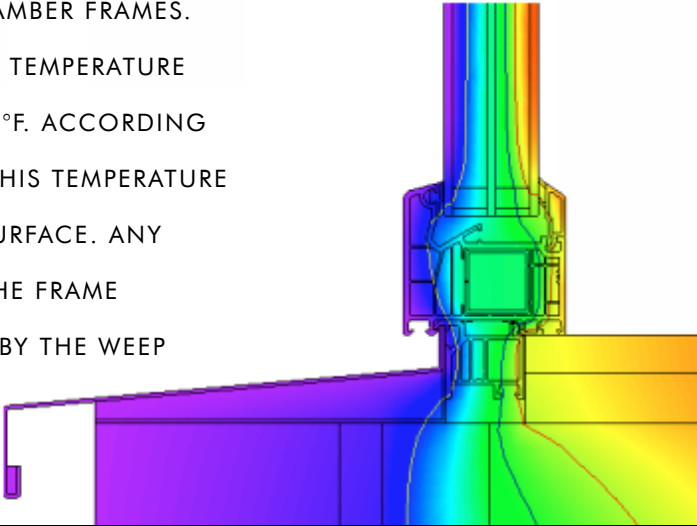
Detail showing low threshold patio door with optional Aluminum Cladding

DETAILS AND DRAWINGS

SOFTLINE 76MM TYPICAL INSTALL



THIS TYPICAL INSTALL DETAIL, INCLUDING A GUTMANN SILL, HIGHLIGHTS THE HIGH PERFORMANCE ADVANTAGES OF OUR MULTI-CHAMBER FRAMES. USING HARSH CONDITIONS AS AN EXAMPLE, THE EXTERIOR TEMPERATURE IS SET TO $-20^{\circ}\text{C}/-4^{\circ}\text{F}$ AND THE INTERIOR IS SET TO $20^{\circ}\text{C}/68^{\circ}\text{F}$. ACCORDING TO THIS MODEL, THE GLASS AND FRAME COULD SUSTAIN THIS TEMPERATURE DELTA WITH NO CONDENSATION RISK ON THE INTERIOR SURFACE. ANY CONDENSATION THAT WOULD FORM ON THE INSIDE OF THE FRAME (SHOWN IN BLUE) WOULD FREEZE AND THEN BE HANDLED BY THE WEEP HOLES IN THE FRAME AND SASH.



Typical Install Detail

A M B E L I N E

HIGH PERFORMANCE WINDOWS AND DOORS

CONTACT

James@amberlinewindows.us

VISIT

amberlinewindows.us

LINKEDIN

[Amberline Windows Northeast](#)

INSTAGRAM

[@amberline_northeast](#)

Follow Us!

Amberline Northeast is working hard to create an engaging user experience through a variety of platforms including our website, LinkedIn, and Instagram.