

Windows | Softline 76mm PVC | Typical Installation Details

Contents

Cladding	Install Type	Position in Wall	Wall Type	Insulation	Subsill	Exterior Sill	Page Number
Rainscreen Gap with Zgirts	New Construction	Flush Install	Wood Frame	Exterior Insulation	Flush Subsill	Aluminum Exterior Sill	2
Deep Exterior Wall	New Construction	Flush Install	Wood Frame	Exterior Insulation	Flush Subsill	Aluminum Exterior Sill	3
Brick Wall	Renovation	Projected Install	Brick	Interior Insulation	Flush Subsill	Break Metal	4
Brick Wall	Renovation	Projected Install	Brick	Interior Insulation	No Subsill	No Exterior Sill	5
Typical Siding	New Construction	Flush Install	Wood Frame	Exterior Insulation	Flush Subsill	PVC Exterior Sill	6
Rainscreen Gap with Terra Cotta	New Construction	Flush Install	Wood Frame	Structural Insulation (SIS)	Flush Subsill	Aluminum Exterior Sill	7
Rainscreen Gap with Brick Veneer	New Construction	Flush Install	Wood Frame	Exterior Insulation	Flush Subsill	Aluminum Exterior Sill	8
Rainscreen Gap with Furring Strips	New Construction	Flush Install	Wood Frame	Exterior Insulation	Flush Subsill	Aluminum Exterior Sill	9
Rainscreen Gap with Zgirts	New Construction	Flush Install	Wood Frame	Exterior Insulation	Nail Flange	Aluminum Exterior Sill	10
Rainscreen Gap with Lap Siding	New Construction	Flush Install	Wood Frame	Interior Insulation	Flush Subsill	PVC Exterior Sill	11
Rainscreen Gap with Panel Siding	New Construction	Projected Install	Wood Frame	Exterior Insulation	No Subsill	No Exterior Sill	12
Aluron Exterior Sills	Accessory Drawings						IA IB IC ID
Shimming and Anchoring Diagrams	Accessory Drawings						IIA IIB IIC IID

INTRODUCTION:

Our services and products are optimized for mid-size, Passive House, and high-performance commercial building projects. To utilize our windows to their fullest potential, we have included some typical installation guidelines. We support customers to use this information under the control of the project architect and in juxtaposition with regional code requirements. While we offer certain recommendations throughout this guide, it is the sole responsibility of the architect to provide or approve installation details for the contractor to use in construction.

PROPER INSTALLATION, CARE, MAINTENANCE & CLEANING:

From Our Warranty: Windows and Doors installed by the purchaser must be installed following the manufacturer's guidelines and prior to the start of installation there is a required Amberline LLC installation training/review with the installer/subcontractor. Purchaser must also obtain an inspection and certification issued by Amberline LLC, prior to closing walls, to ensure the product is installed correctly. It is important that the purchaser follow all routine care, maintenance, and cleaning instructions for the Amberline Windows and Doors. Failure to comply with all the above proper installation, care, maintenance, and cleaning may limit your coverage under the warranty. (Please see Full Warranty in the Downloads section of our website).

INSTALLATION GUIDE:

This package is to be used as a guide to assist architects in the detailing of window or door installation. It includes a series of different installation scenarios and takes into consideration construction type, unit position in wall, insulation type, undersill type, and cladding. These details are not project-specific and should only be used as a design reference. Some other considerations that are highlighted in this package are as follows:

- Drainage Plane: How the unit is working with the WRB (water-resistive barrier)
- Rough Openings: Proper sizing of the rough openings along with appropriate shim cavity
- Taping: Interior and Exterior taping recommendations as it pertains to the position of the unit in the wall or floor

Accessory Drawings

- Shimming and Anchoring: correct placement of anchor straps and plastic shims
- Exterior Sills: appropriate placement of optional exterior sills to allow drainage from weepholes within window frames

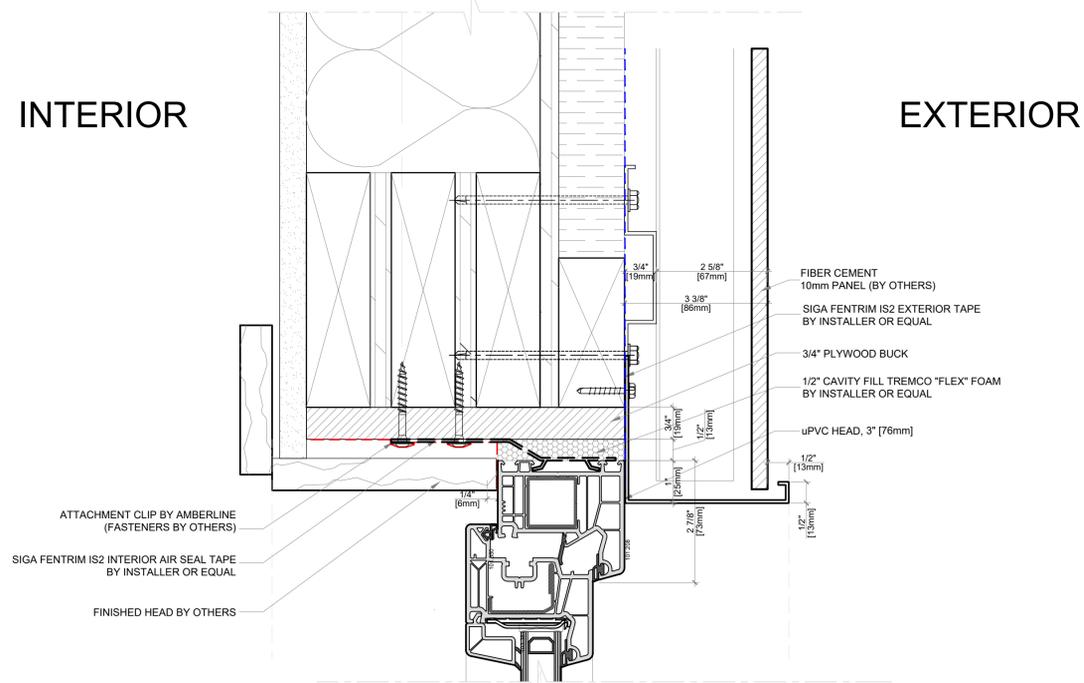
NOTES & CONTACT INFO:

These drawings are only examples of commonly used details that can be used for planning purposes only. These drawings are to be used only with Amberline products and they represent best practices for window and door installations. For most projects using Amberline, we will provide project-specific drawings in collaboration with the project design team.

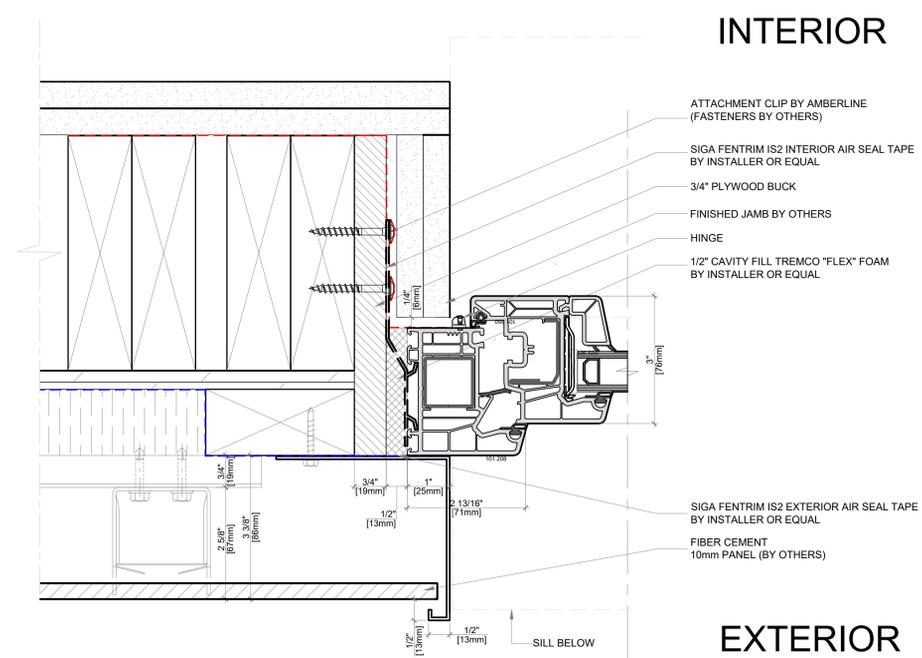
Two-dimensional drawings are only representations of three-dimensional installations so certain aspects of these drawings are incorporated to provide clarity. Please contact us regarding any questions or for technical assistance | James@amberlinewindows.us

Softline 76mm PVC Typical Installation Details

Rainscreen Gap with Zgirts - New Construction - Flush Install - Wood Frame - Ext. Insulation - Flush Subsill - ALU Ext. Sill

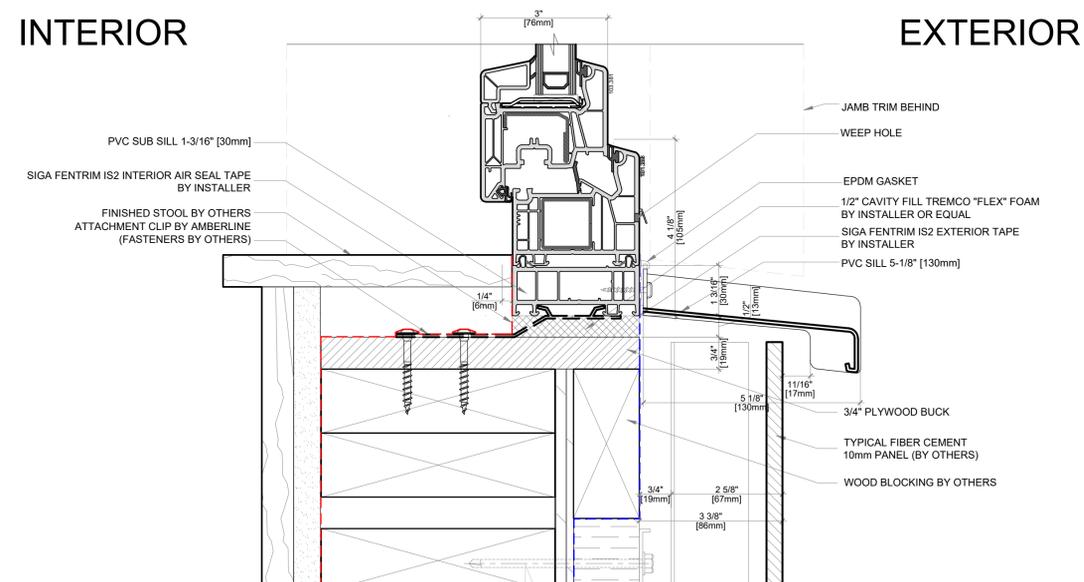
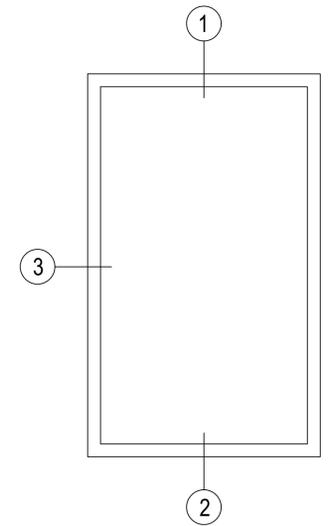


1 WINDOW HEAD DETAIL
DG-02 SCALE: 6" = 1' 0"

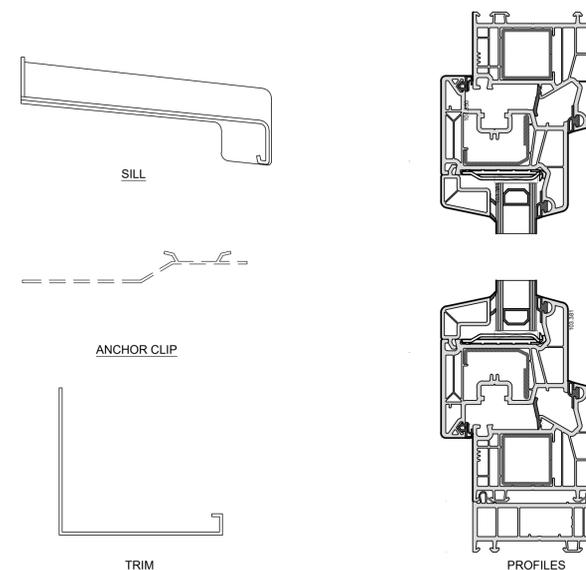


2 WINDOW JAMB DETAIL
DG-02 SCALE: 6" = 1' 0"

Elevation key:



3 WINDOW SILL DETAIL
DG-02 SCALE: 6" = 1' 0"



4 PROVIDED BY AMBERLINE
DG-02 SCALE: 6" = 1' 0"

Cladding: Rainscreen Gap with Zgirts
Install Type: New Construction
Position in Wall: Flush
Wall Type: Wood Frame
Insulation: Exterior Insulation
Subsill: Flush Subsill
Exterior Sill: ALU Ext. Sill

Note: Available in Double & Triple Glazed

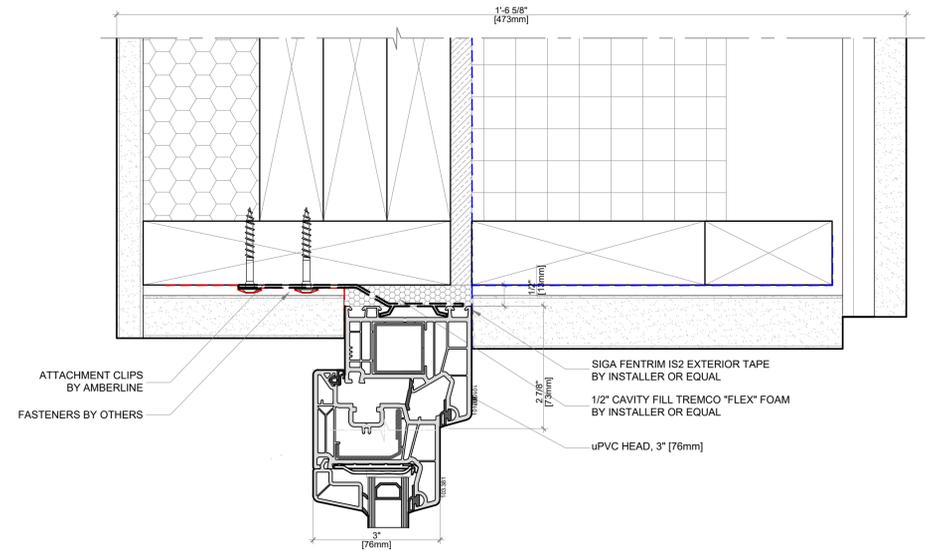
Softline 76mm PVC Typical Installation Details

Deep Ext. Wall - New Construction - Flush Install - Wood Frame - Ext. Insulation - Flush Subsill - ALU Ext. Sill

A M B E R L I N E

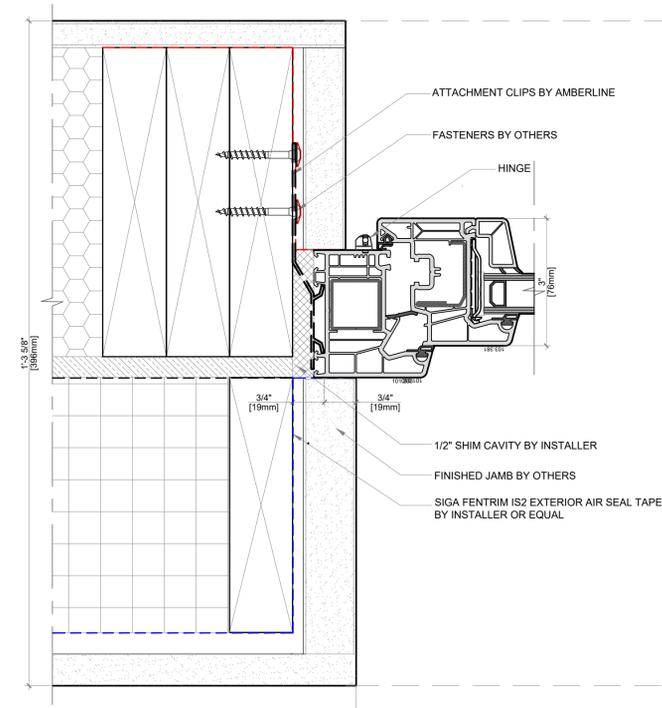
HIGH PERFORMANCE WINDOWS AND DOORS

INTERIOR EXTERIOR



1 WINDOW HEAD DETAIL
DG-03 SCALE: 6" = 1' 0"

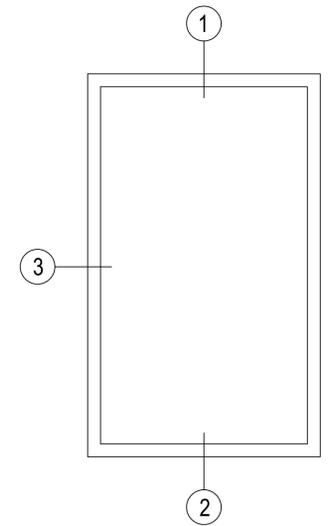
INTERIOR



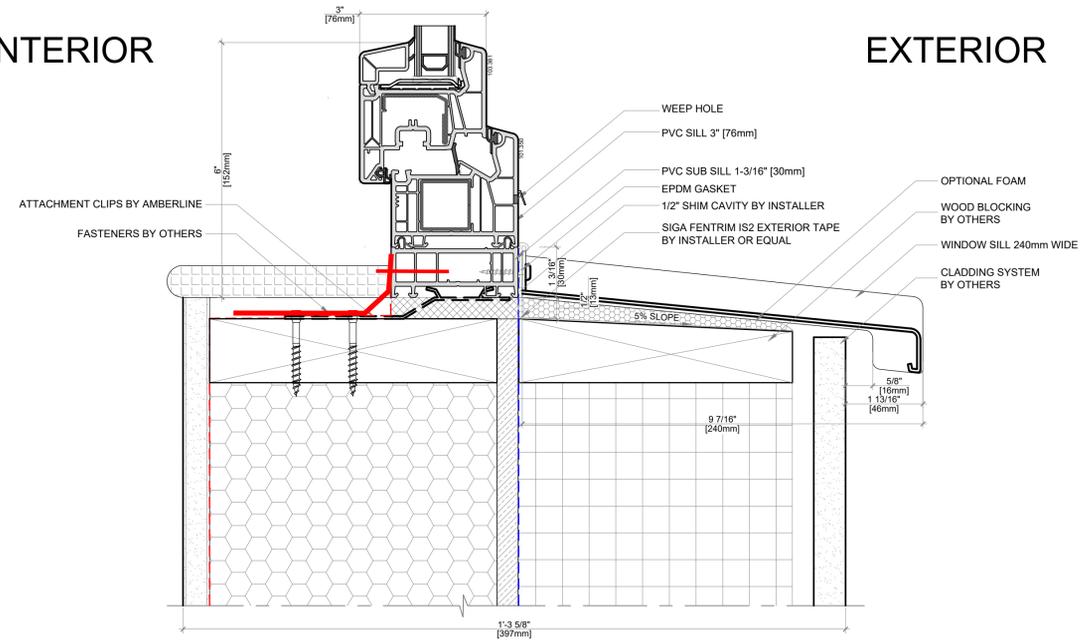
2 WINDOW JAMB DETAIL
DG-03 SCALE: 6" = 1' 0"

EXTERIOR

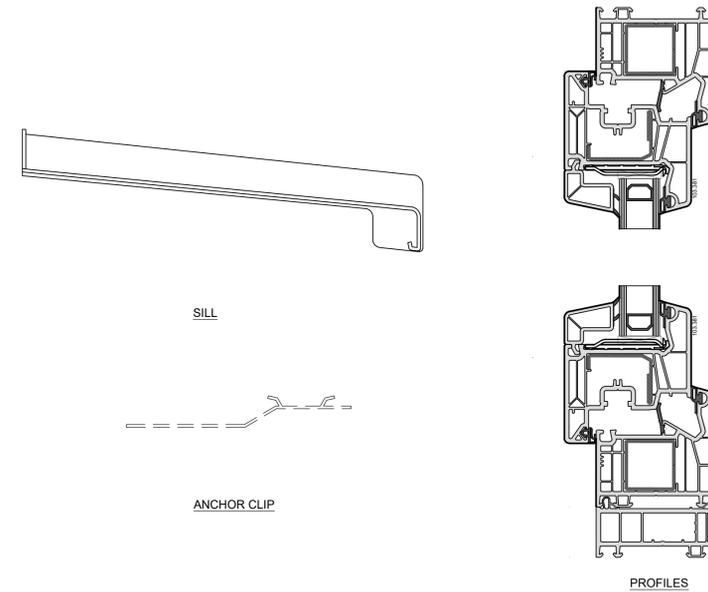
Elevation key:



INTERIOR EXTERIOR



3 WINDOW SILL DETAIL
DG-03 SCALE: 6" = 1' 0"



4 PROVIDED BY AMBERLINE
DG-03 SCALE: 6" = 1' 0"

Cladding: Deep Ext. Wall
Install Type: New Construction
Position in Wall: Flush
Wall Type: Wood Frame
Insulation: Exterior Insulation
Subsill: Flush Subsill
Exterior Sill: ALU Ext. Sill

Note: Available in Double & Triple Glazed

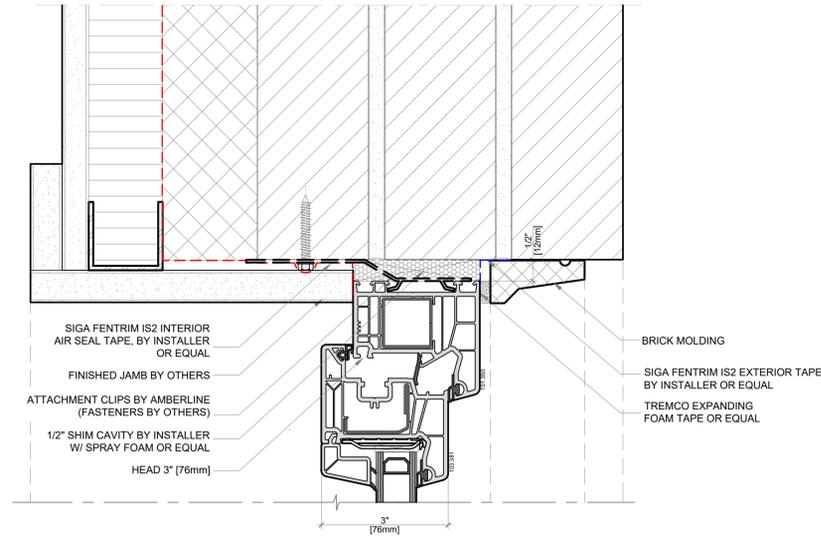
3

Softline 76mm PVC Typical Installation Details

Brick Wall - Renovation - Projected Install - Brick Wall - Int. Insulation - Flush Subsill - Break Metal

INTERIOR

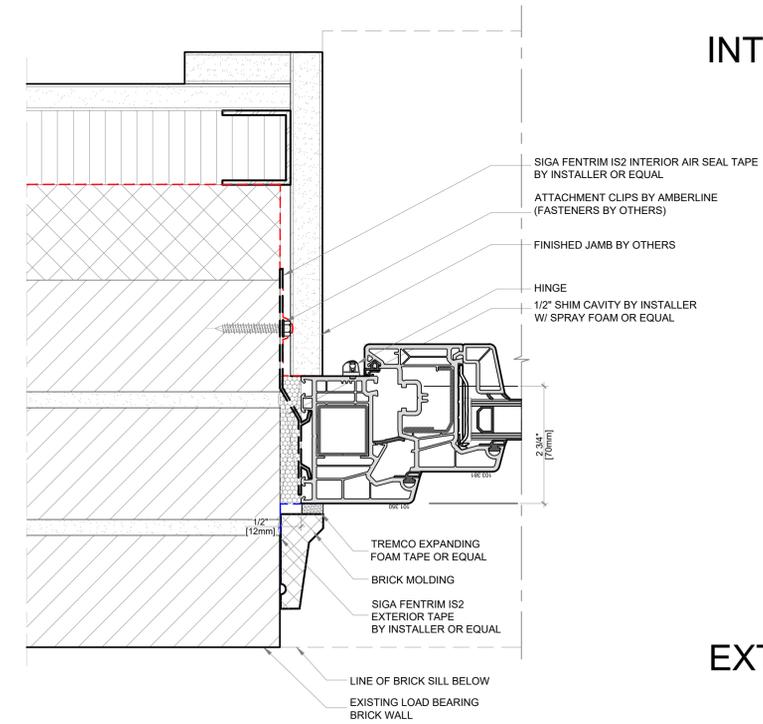
EXTERIOR



1 WINDOW HEAD DETAIL
DG-04 SCALE: 6" = 1' 0"

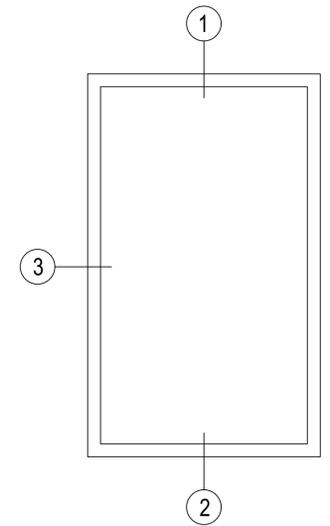
INTERIOR

EXTERIOR



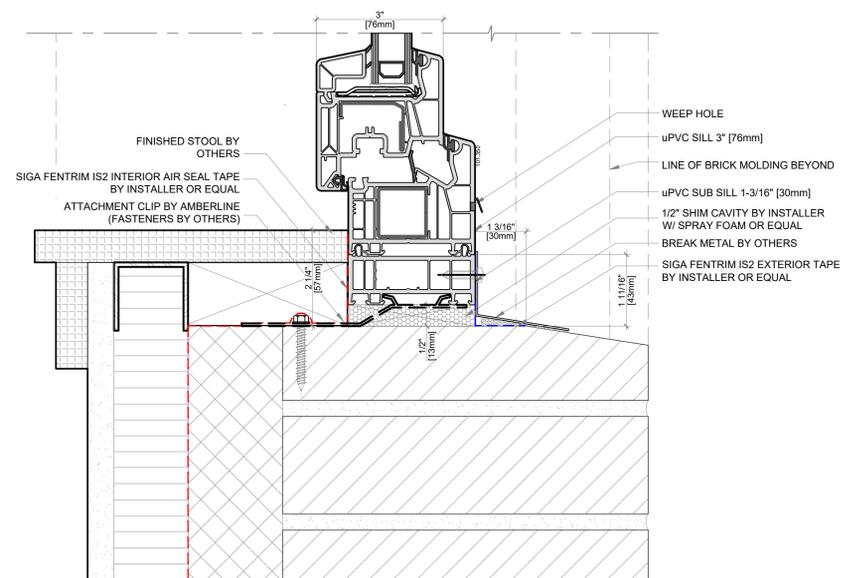
2 WINDOW JAMB DETAIL
DG-04 SCALE: 6" = 1' 0"

Elevation key:

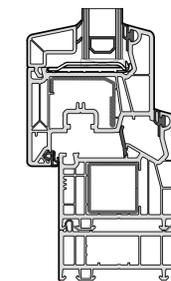
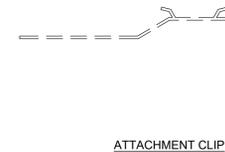
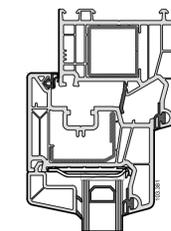


INTERIOR

EXTERIOR



3 WINDOW SILL DETAIL
DG-04 SCALE: 6" = 1' 0"



PROFILES

4 PROVIDED BY AMBERLINE
DG-04 SCALE: 6" = 1' 0"

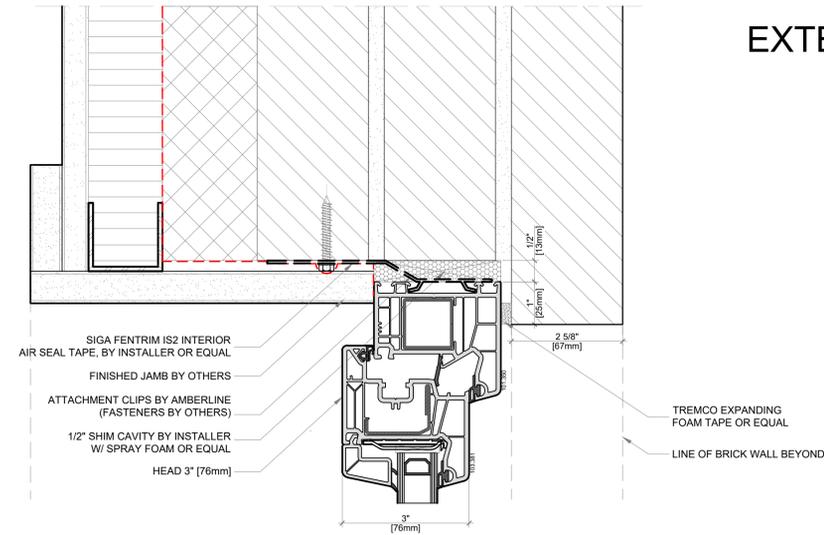
Cladding: Brick Wall
Install Type: Renovation
Position in Wall: Projected
Wall Type: Brick Wall
Insulation: Int. Insulation
Subsill: Flush Subsill
Exterior Sill: Break Metal

Note: Available in Double & Triple Glazed

Softline 76mm PVC Typical Installation Details

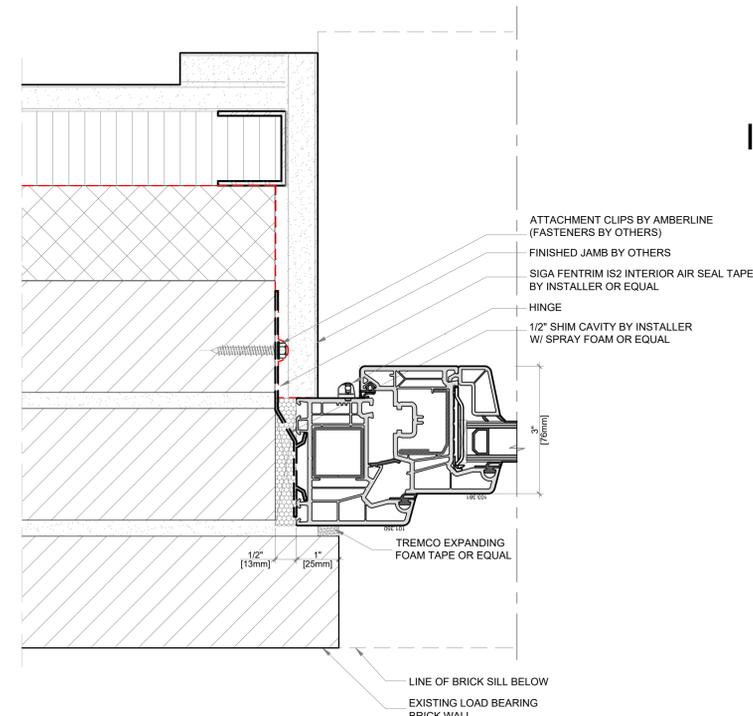
Brick Wall - Renovation - Projected Install - Brick Wall - Int. Insulation

INTERIOR



1 WINDOW HEAD DETAIL
DG-05 SCALE: 6" = 1' 0"

EXTERIOR

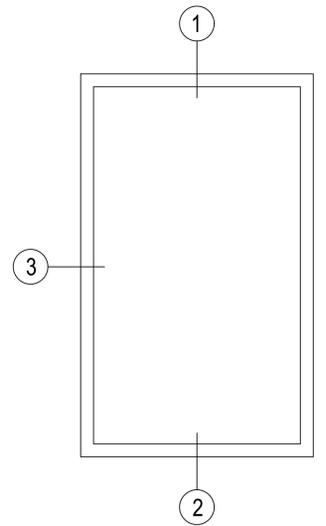


2 WINDOW JAMB DETAIL
DG-05 SCALE: 6" = 1' 0"

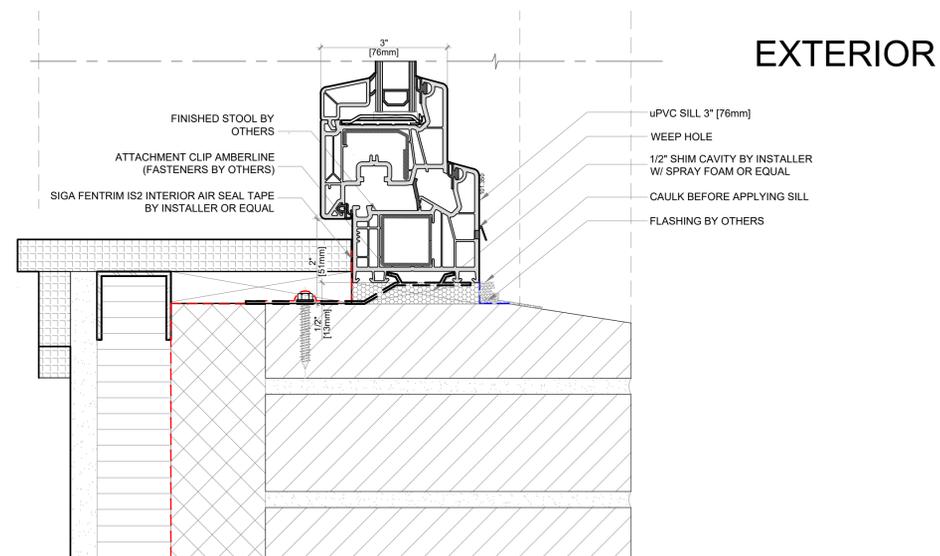
INTERIOR

EXTERIOR

Elevation key:

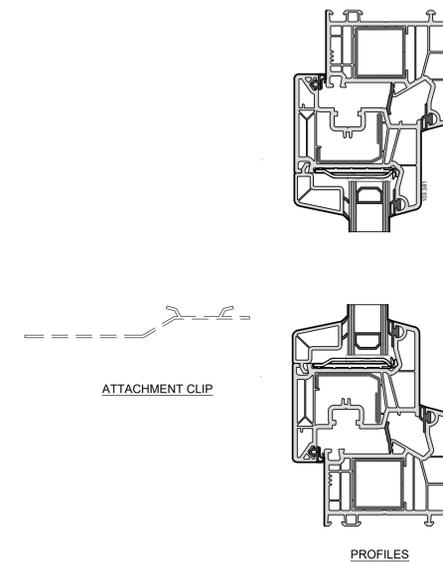


INTERIOR



3 WINDOW SILL DETAIL
DG-05 SCALE: 6" = 1' 0"

EXTERIOR



4 PROVIDED BY AMBERLINE
DG-05 SCALE: 6" = 1' 0"

Cladding: Brick Wall
Install Type: Renovation
Position in Wall: Projected
Wall Type: Brick Wall
Insulation: Int. Insulation
Subsill: No Subsill
Exterior Sill: No Ext. Sill

Note: Available in Double & Triple Glazed

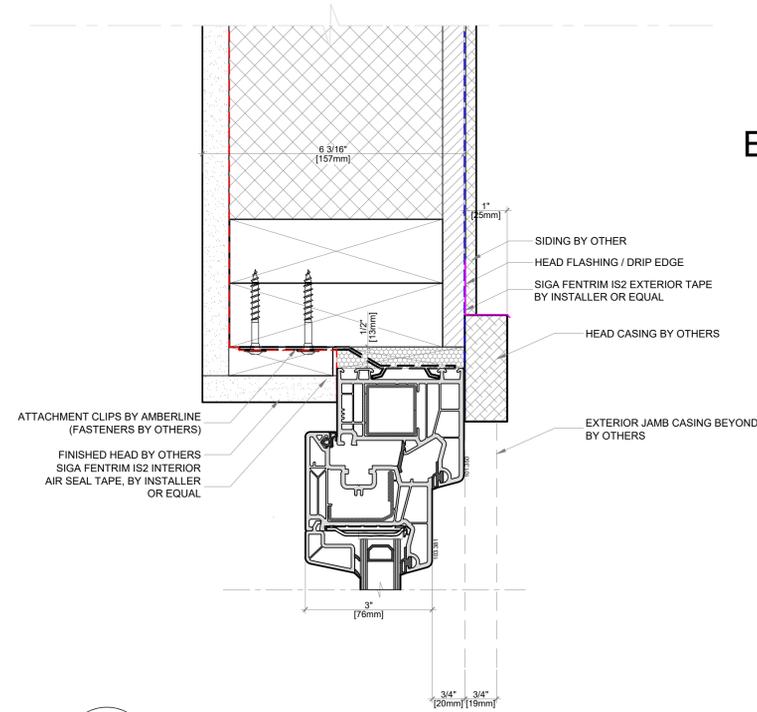
Softline 76mm PVC Typical Installation Details

Typical Siding - New Construction - Flush Install - Wood Frame - Ext. Insulation - Flush Subsill - PVC Ext. Sill

A M B E R L I N E
HIGH PERFORMANCE WINDOWS AND DOORS

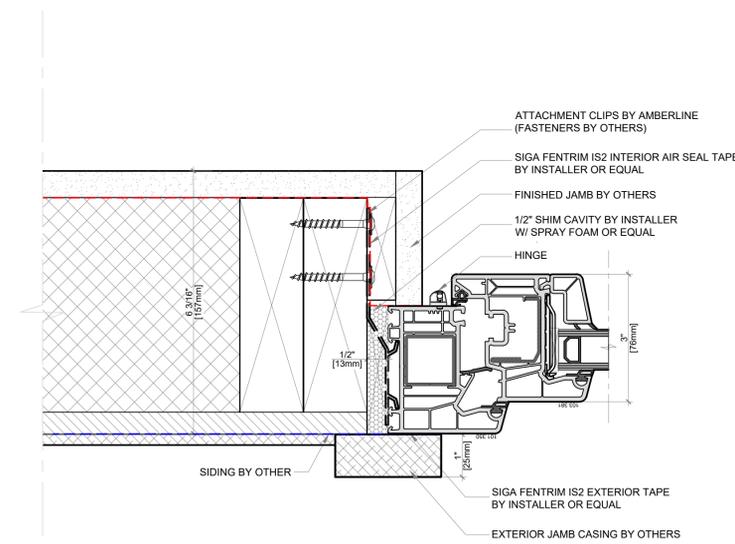
INTERIOR

EXTERIOR



1 WINDOW HEAD DETAIL
DG-06 SCALE: 6" = 1' 0"

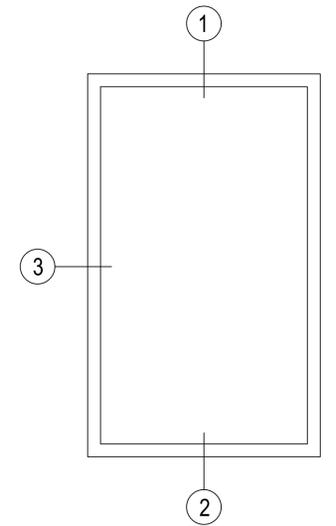
INTERIOR



2 WINDOW JAMB DETAIL
DG-06 SCALE: 6" = 1' 0"

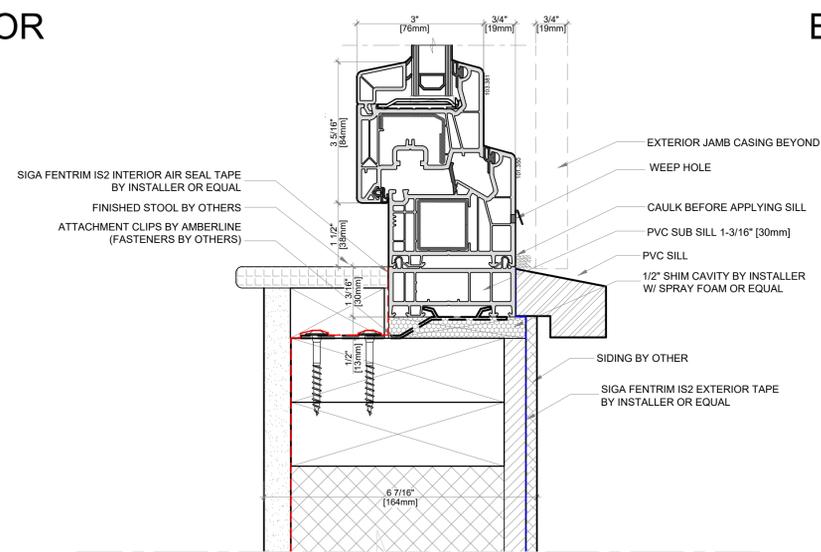
EXTERIOR

Elevation key:

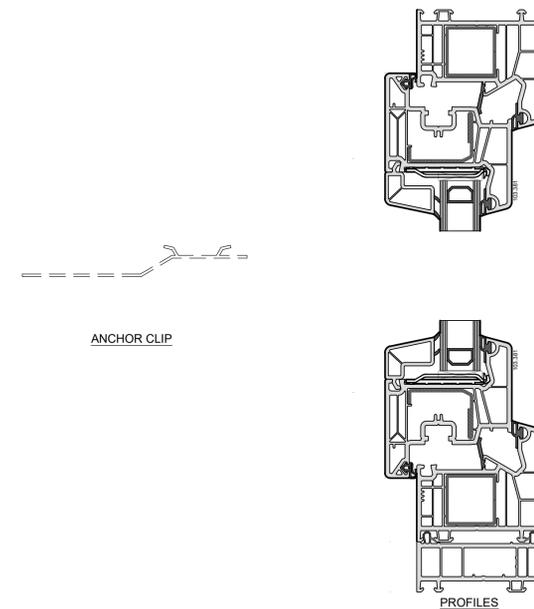


INTERIOR

EXTERIOR



3 WINDOW SILL DETAIL
DG-06 SCALE: 6" = 1' 0"



4 PROVIDED BY AMBERLINE
DG-06 SCALE: 6" = 1' 0"

Cladding: Typical Siding
Install Type: New Construction
Position in Wall: Flush
Wall Type: Wood Frame
Insulation: Ext. Insulation
Subsill: Flush Subsill
Exterior Sill: PVC Ext. Sill

Note: Available in Double & Triple Glazed

6

Softline 76mm PVC Typical Installation Details

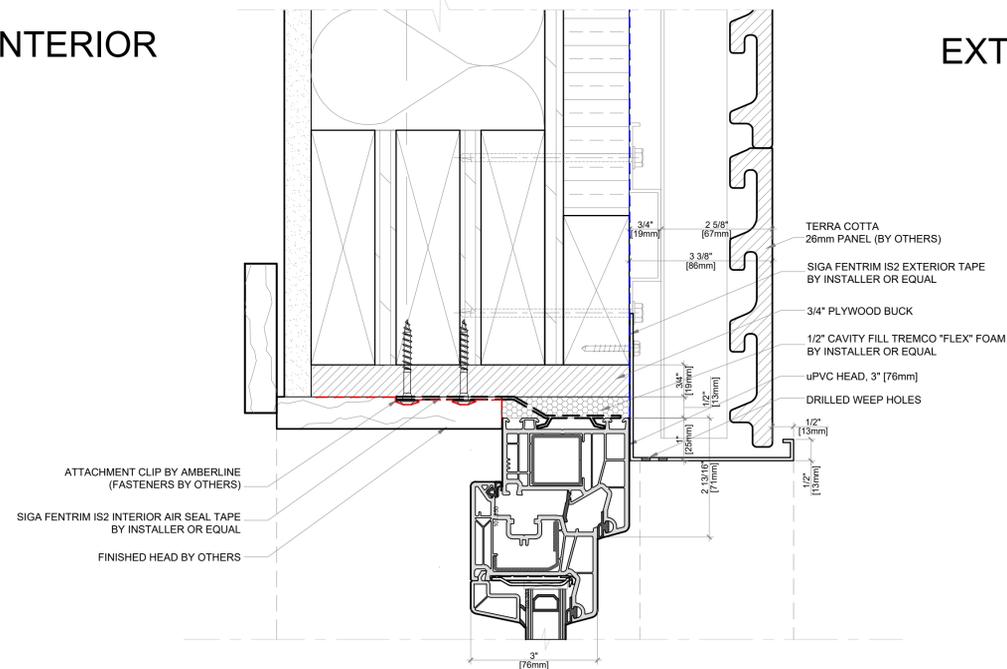
A M B E R L I N E

HIGH PERFORMANCE WINDOWS AND DOORS

Rainscreen Gap with Terra Cotta - New Construction - Flush Install - Wood Frame - Structural Insulation - Flush Subsill - ALU Ext. Sill

INTERIOR

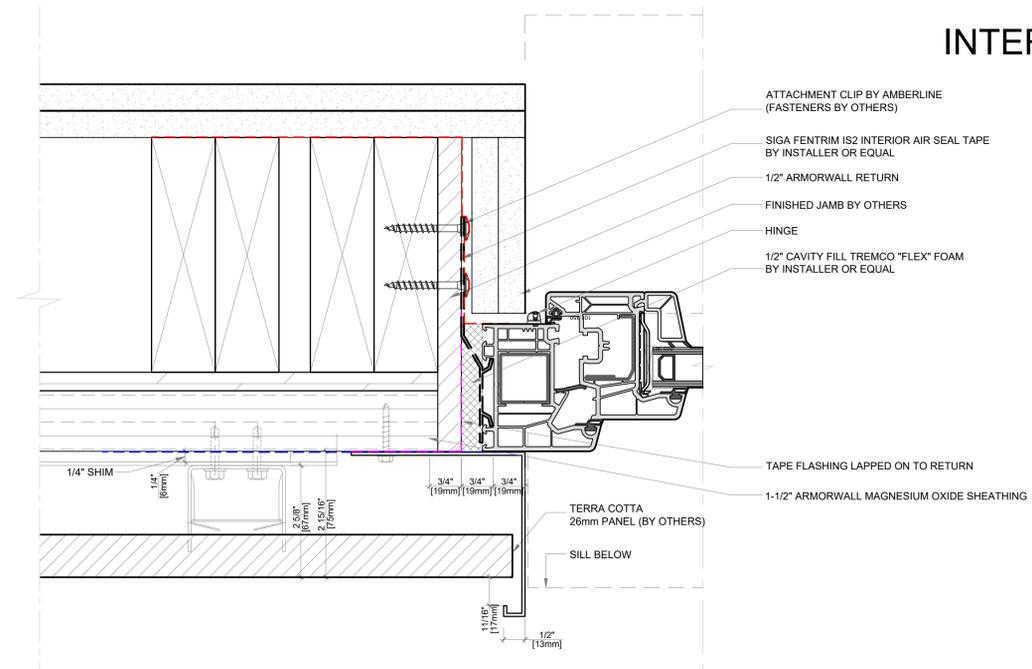
EXTERIOR



1 WINDOW HEAD DETAIL
DG-07 SCALE: 6" = 1' 0"

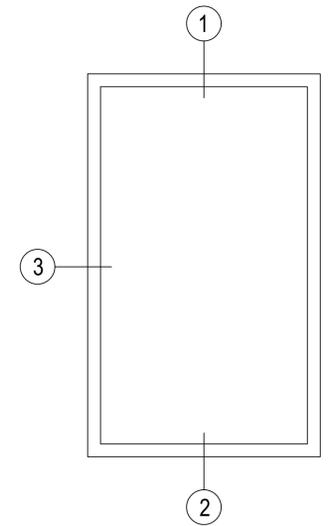
INTERIOR

EXTERIOR



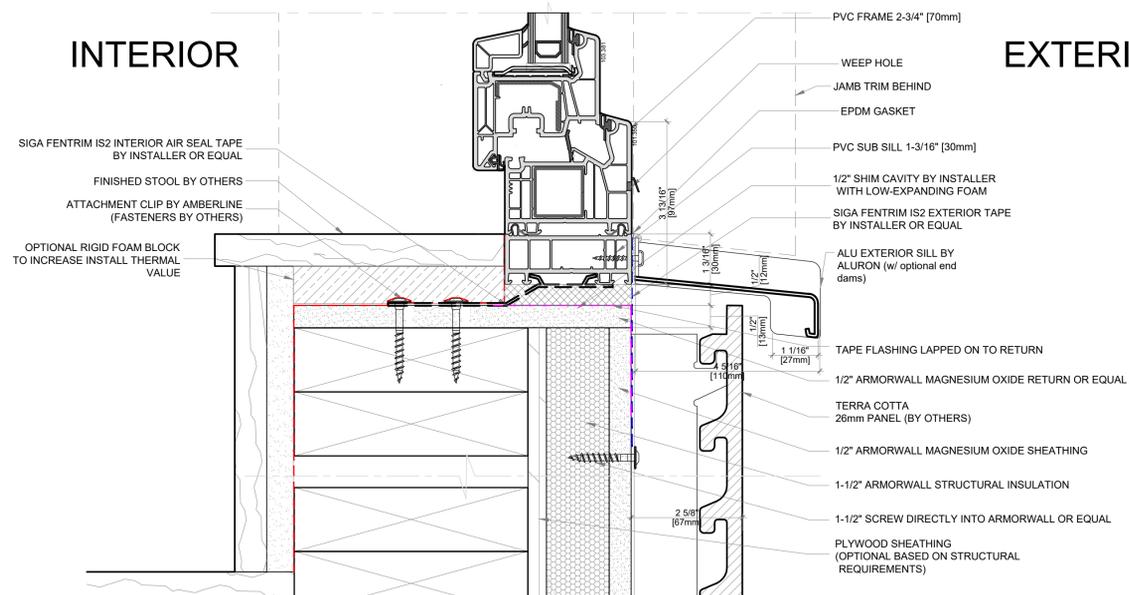
2 WINDOW JAMB DETAIL
DG-07 SCALE: 6" = 1' 0"

Elevation key:

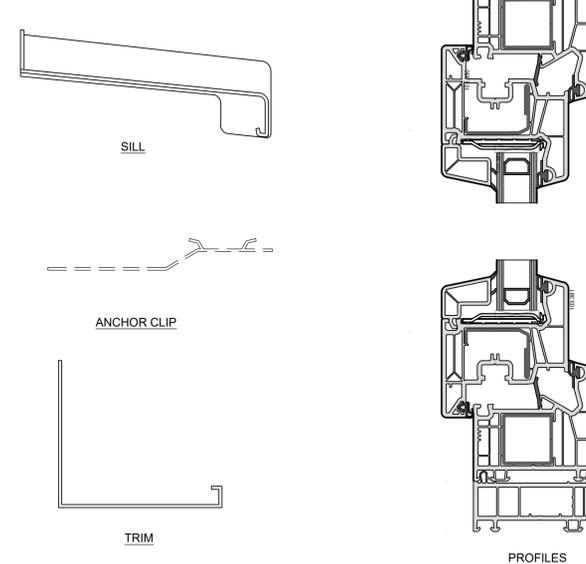


INTERIOR

EXTERIOR



3 WINDOW SILL DETAIL
DG-07 SCALE: 6" = 1' 0"



4 PROVIDED BY AMBERLINE
DG-07 SCALE: 6" = 1' 0"

Cladding: Rainscreen Gap with Terra Cotta

Install Type: New Construction

Position in Wall: Flush

Wall Type: Wood Frame

Insulation: Structural Insulation

Subsill: Flush Subsill

Exterior Sill: ALU Ext. Sill

Note: Available in Double & Triple Glazed

7

Softline 76mm PVC Typical Installation Details

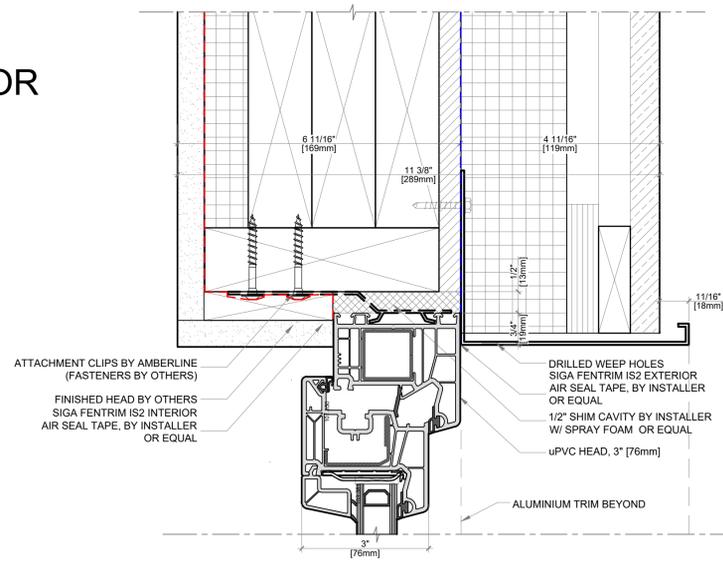
Rainscreen with Brick Veneer - New Construction - Flush Install - Wood Frame - Ext. Insulation - Flush Subsill - ALU Ext. Sill

AMBERLINE

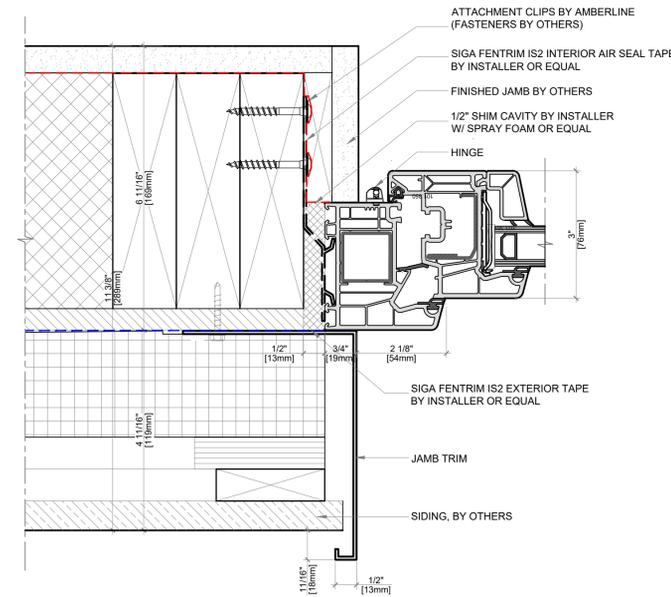
HIGH PERFORMANCE WINDOWS AND DOORS

INTERIOR

EXTERIOR

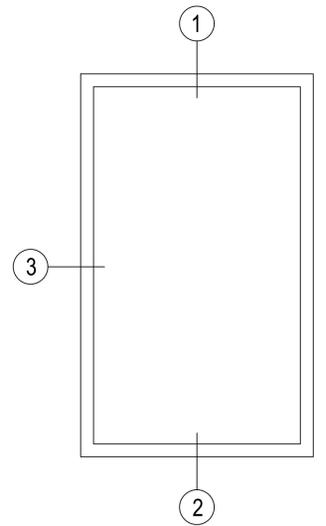


1 WINDOW HEAD DETAIL
DG-08 SCALE: 6" = 1' 0"



2 WINDOW JAMB DETAIL
DG-08 SCALE: 6" = 1' 0"

Elevation key:

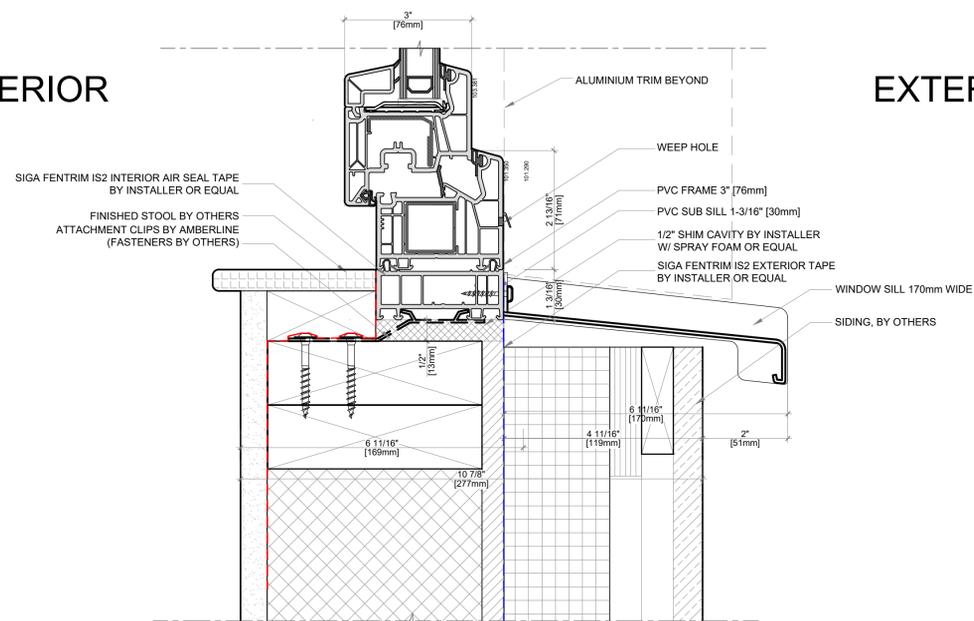


INTERIOR

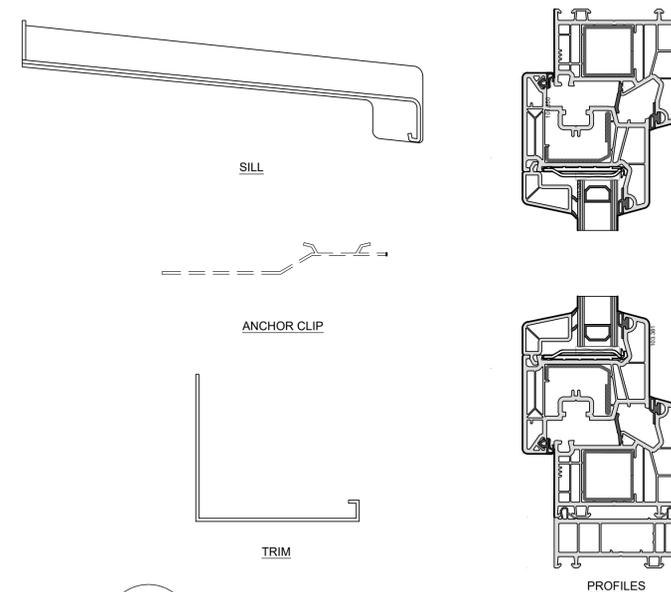
EXTERIOR

INTERIOR

EXTERIOR



3 WINDOW SILL DETAIL
DG-08 SCALE: 6" = 1' 0"



4 PROVIDED BY AMBERLINE
DG-08 SCALE: 6" = 1' 0"

Cladding: Rainscreen with Brick Veneer

Install Type: New Construction

Position in Wall: Flush

Wall Type: Wood Frame

Insulation: Ext. Insulation

Subsill: Flush Subsill

Exterior Sill: ALU Ext. Sill

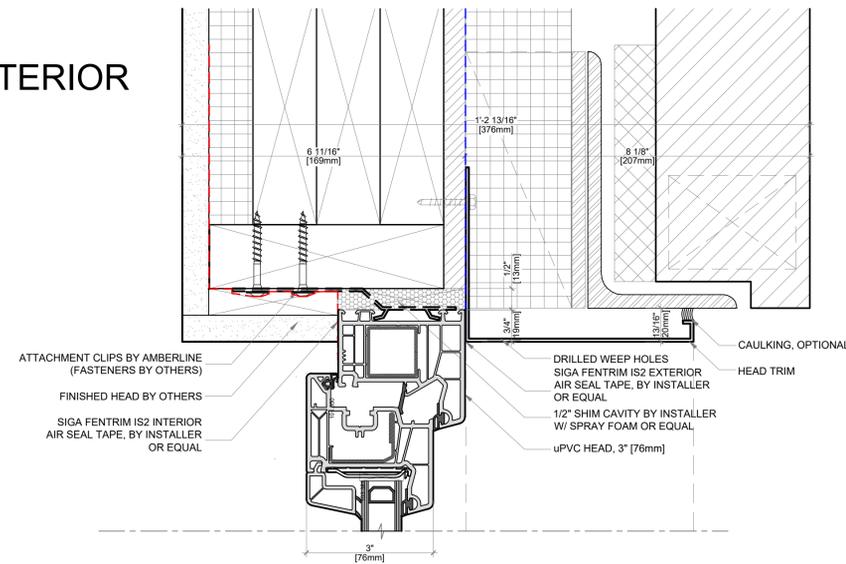
Note: Available in Double & Triple Glazed

Softline 76mm PVC Typical Installation Details

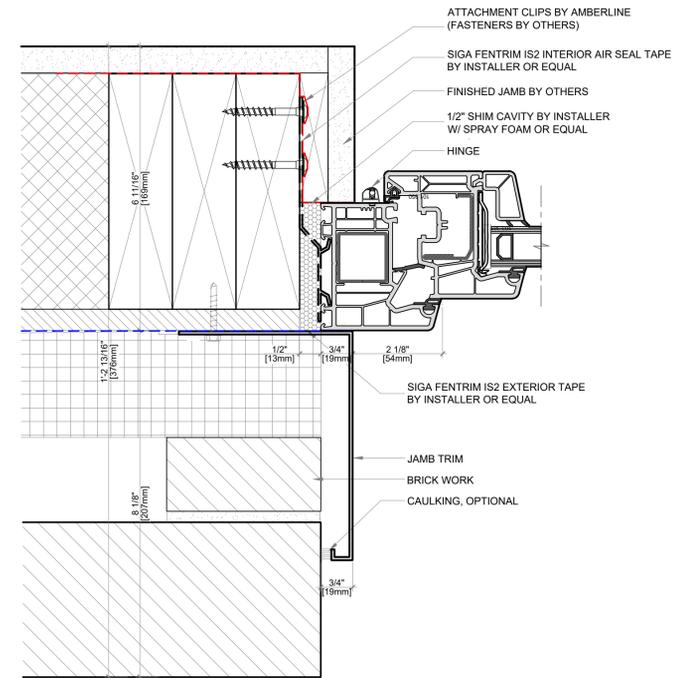
Rainscreen Gap with Furring Strips - New Construction - Flush Install - Wood Frame - Exterior Insulation - Flush Subsill - ALU Ext. Sill

INTERIOR

EXTERIOR

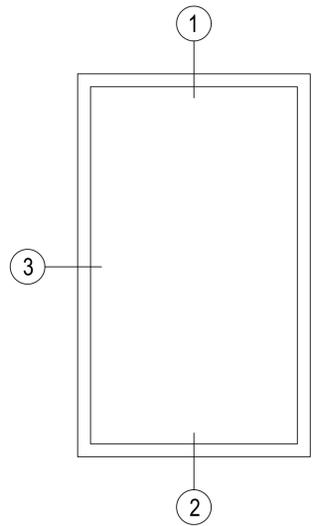


1 WINDOW HEAD DETAIL
DG-09 SCALE: 6" = 1' 0"



2 WINDOW JAMB DETAIL
DG-09 SCALE: 6" = 1' 0"

Elevation key:

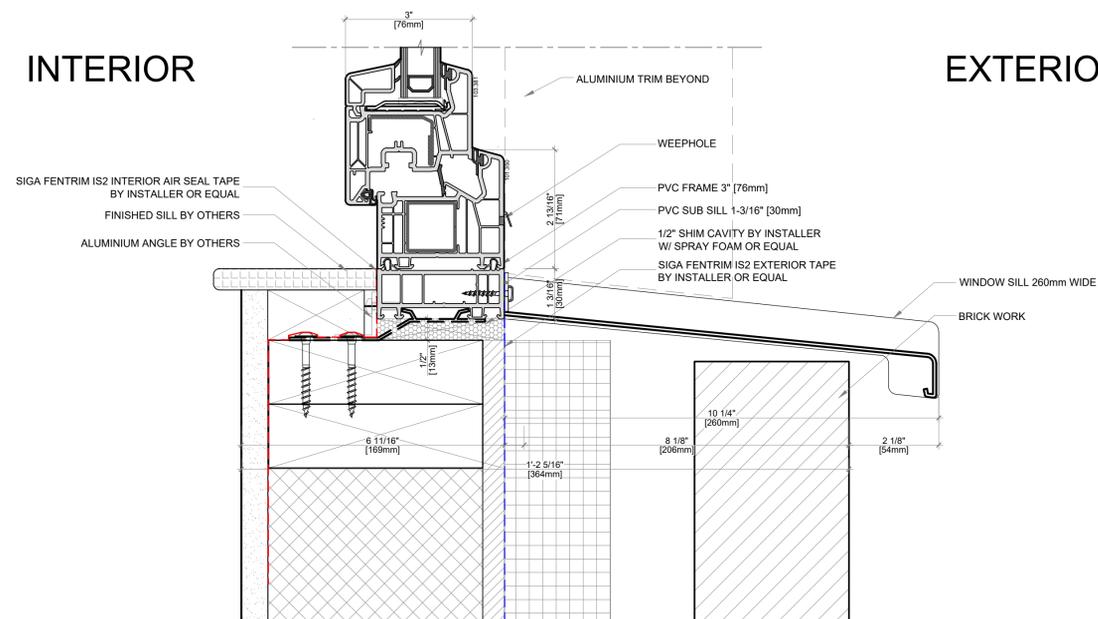


INTERIOR

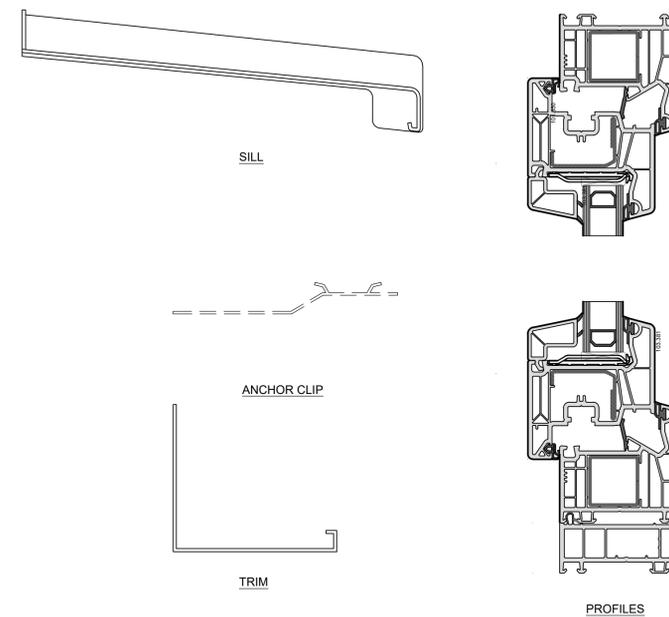
EXTERIOR

INTERIOR

EXTERIOR



3 WINDOW SILL DETAIL
DG-09 SCALE: 6" = 1' 0"



4 PROVIDED BY AMBERLINE
DG-09 SCALE: 6" = 1' 0"

Cladding: Rainscreen Gap with Furring Strips

Install Type: New Construction

Position in Wall: Flush

Wall Type: Wood Frame

Insulation: Exterior

Subsill: Flush

Exterior Sill: ALU Ext. Sill

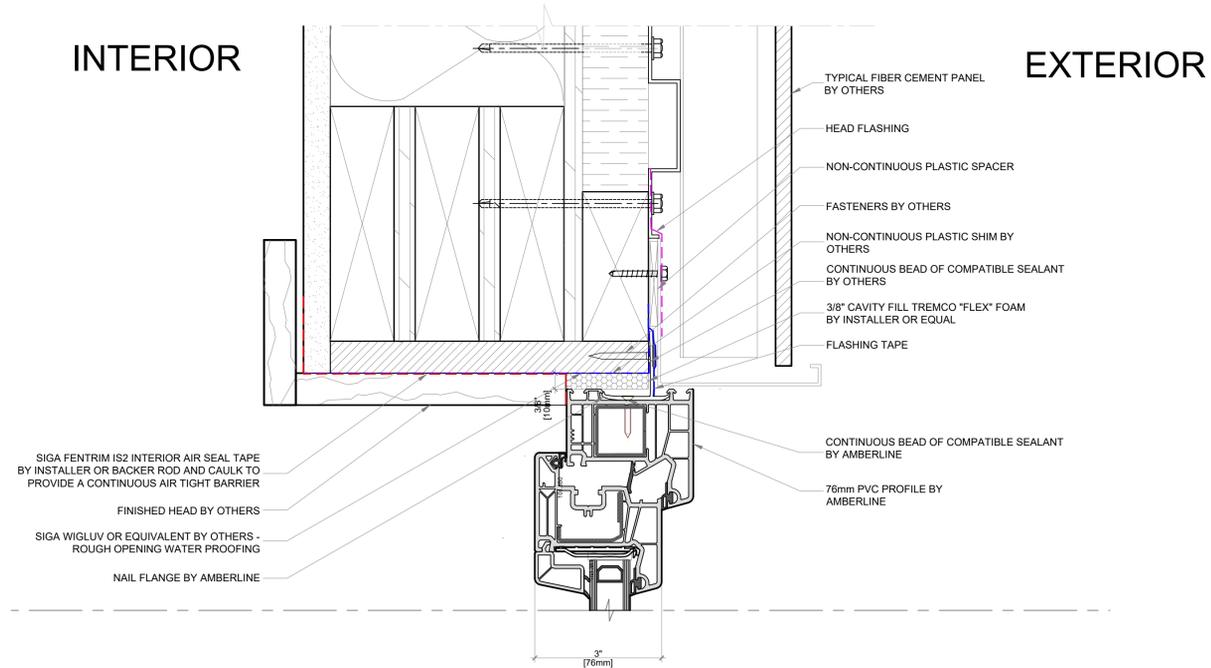
Note: Available in Double & Triple Glazed

Softline 76mm PVC Typical Installation Details

Rainscreen Gap with Zgirts - New Construction - Flush Install - Wood Frame - Ext. Insulation - Nail Flange - ALU Ext. Sill

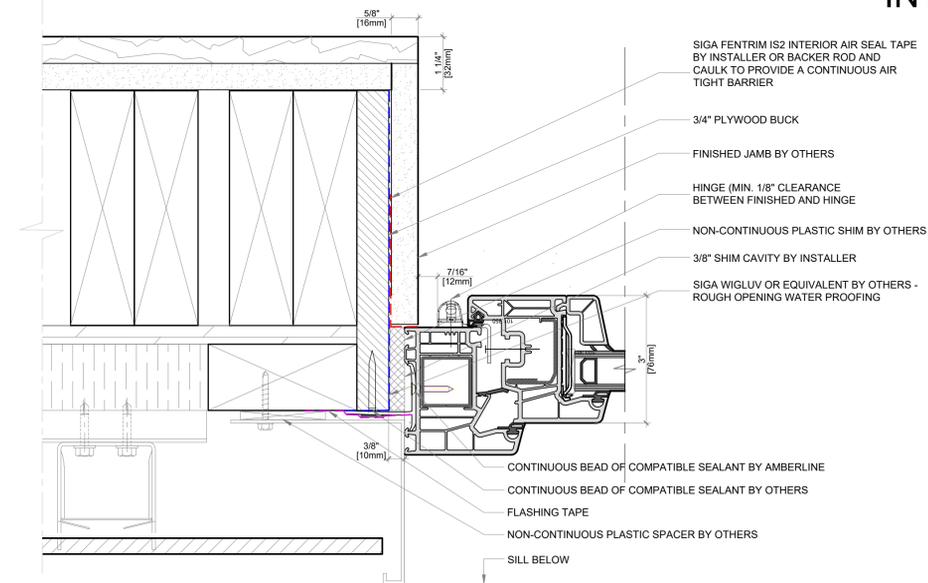
INTERIOR

EXTERIOR



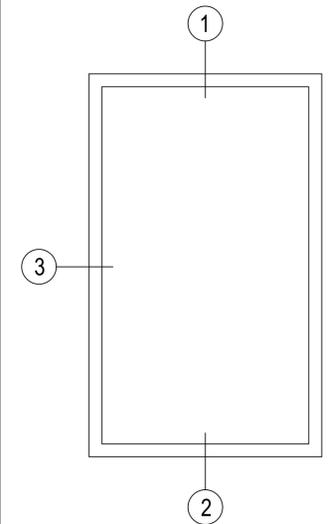
1 WINDOW HEAD DETAIL
DG-10 SCALE: 6" = 1' 0"

INTERIOR



2 WINDOW JAMB DETAIL
DG-10 SCALE: 6" = 1' 0"

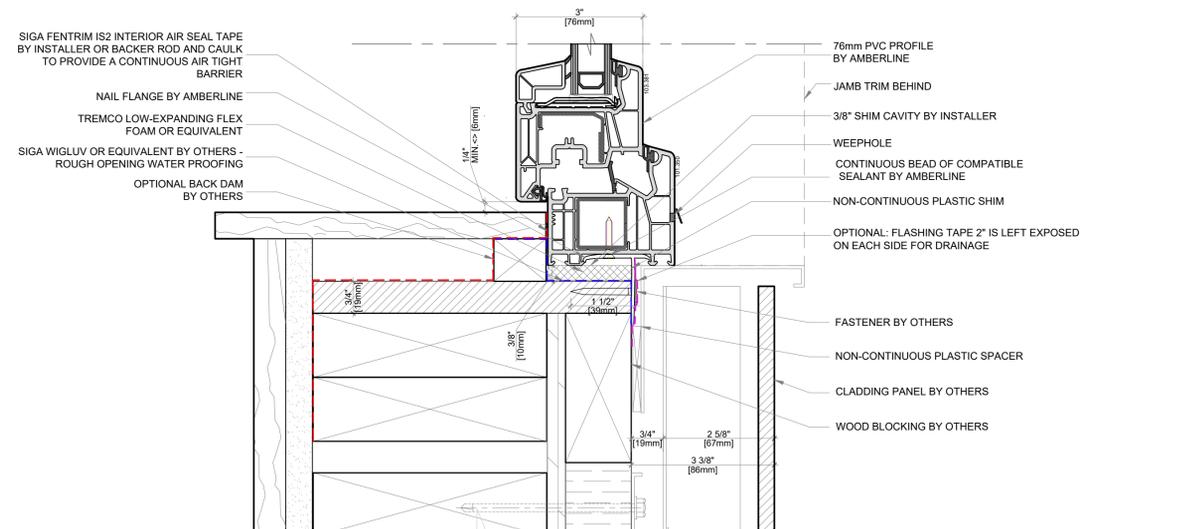
Elevation key:



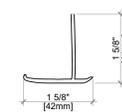
EXTERIOR

INTERIOR

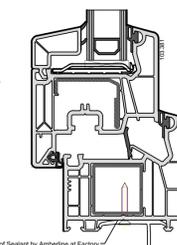
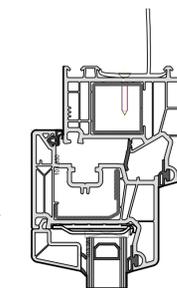
EXTERIOR



3 WINDOW SILL DETAIL
DG-10 SCALE: 6" = 1' 0"



NAIL FLANGE



Bead of Sealant by Amberline at Factory

PROFILES

4 PROVIDED BY AMBERLINE
DG-10 SCALE: 6" = 1' 0"

Cladding: Rainscreen Gap with Zgirts

Install Type: New Construction

Position in Wall: Flush

Wall Type: Wood Frame

Insulation: Ext. Insulation

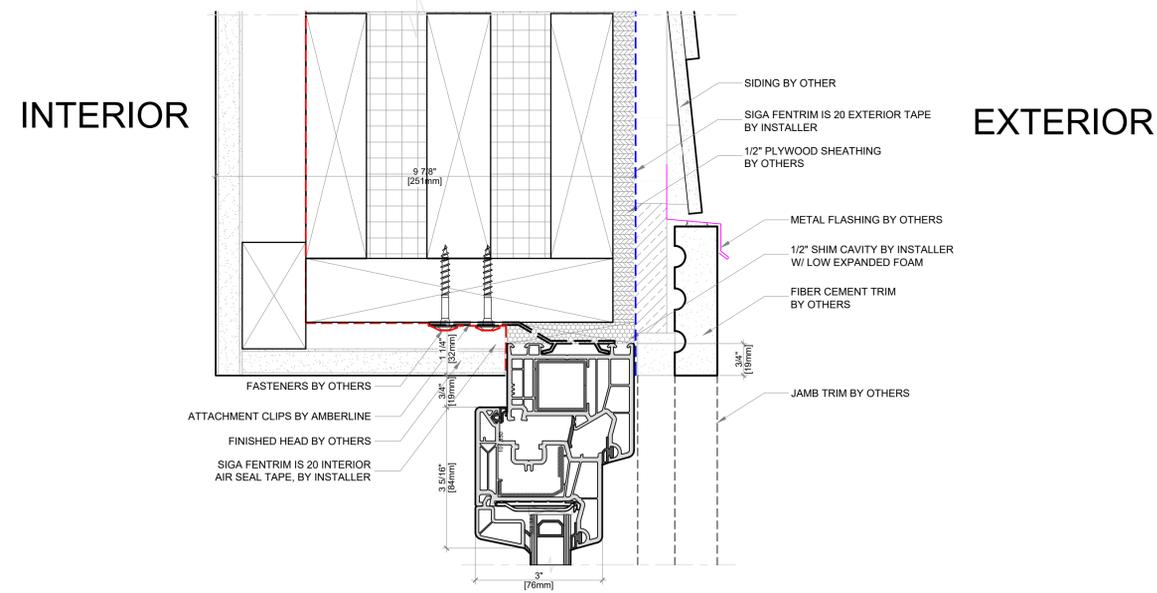
Subsill: Nailing Flange

Exterior Sill: ALU Ext. Sill

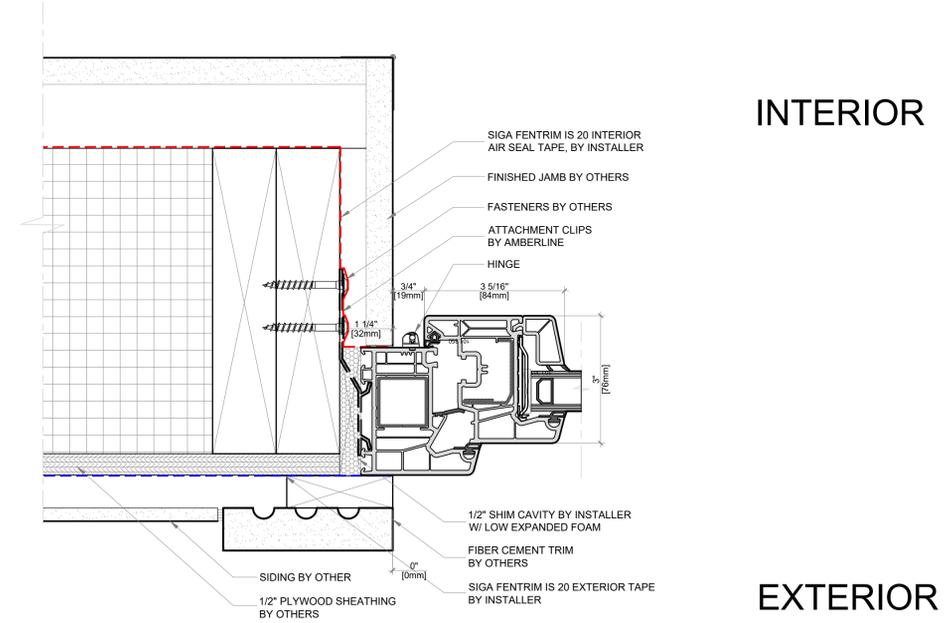
Notes: No subsill in the case of nail flange installation

Softline 76mm PVC Typical Installation Details

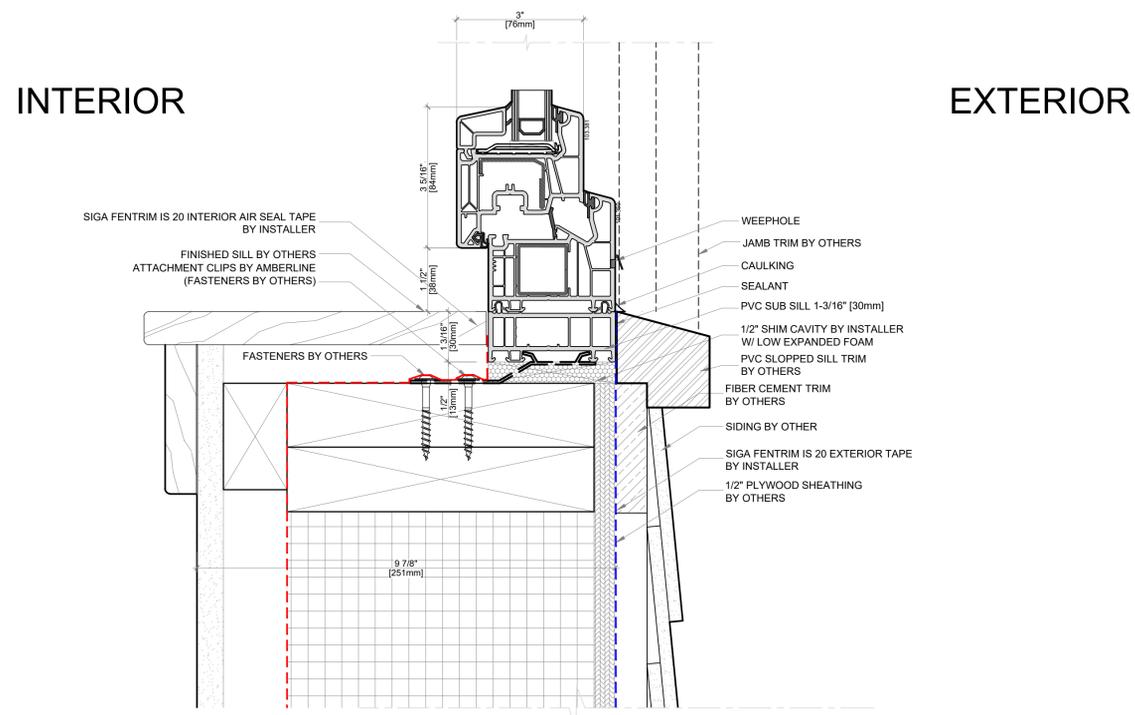
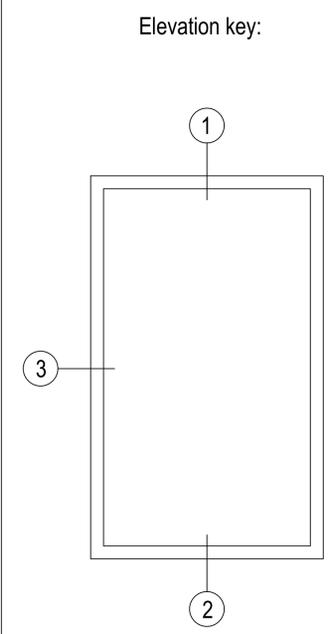
Rainscreen Gap with Lap Siding - New Construction - Flush Install - Wood Frame - Int. Insulation - Flush Subsill - PVC Ext. Sill



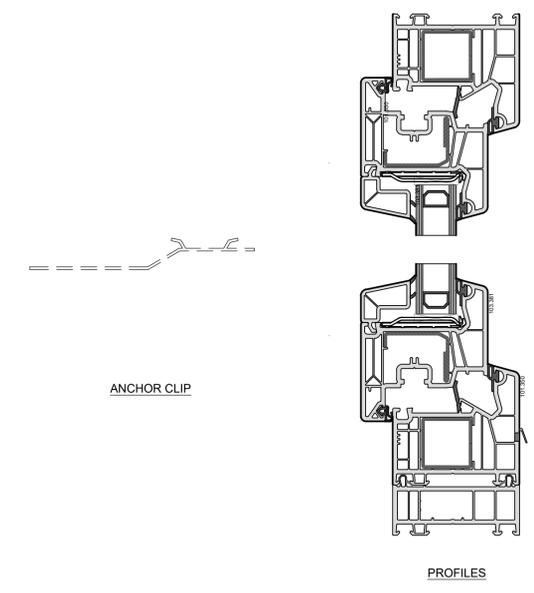
1 WINDOW HEAD DETAIL
DG-11 SCALE: 6" = 1' 0"



2 WINDOW JAMB DETAIL
DG-11 SCALE: 6" = 1' 0"



3 WINDOW SILL DETAIL
DG-11 SCALE: 6" = 1' 0"



4 PROVIDED BY AMBERLINE
DG-11 SCALE: 6" = 1' 0"

Cladding: Rainscreen Gap with Lap Siding
Install Type: New Construction
Position in Wall: Flush
Wall Type: Wood Frame
Insulation: Int. Insulation
Subsill: Flush Sill
Exterior Sill: PVC Ext. Sill

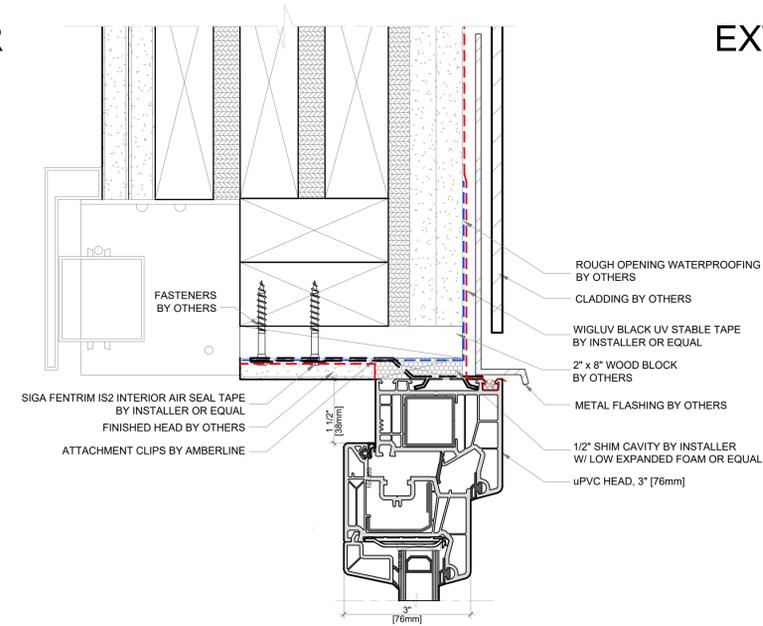
Note: Available in Double & Triple Glazed

Softline 76mm PVC Typical Installation Details

Rainscreen Gap - New Construction - Projected Install - Wood Frame - Ext. Insulation

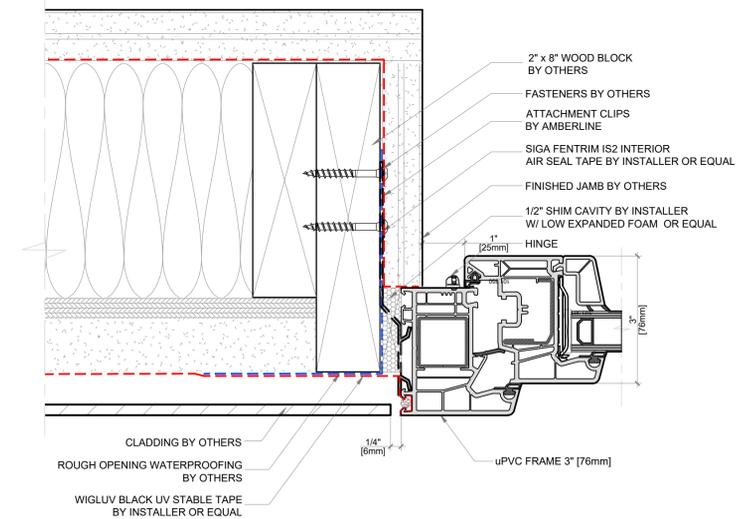
INTERIOR

EXTERIOR



1 WINDOW HEAD DETAIL
DG-12 SCALE: 6" = 1'-0"

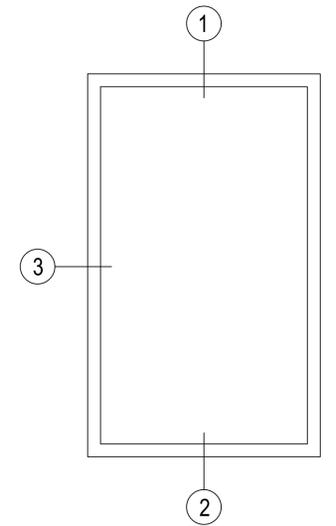
INTERIOR



2 WINDOW JAMB DETAIL
DG-12 SCALE: 6" = 1'-0"

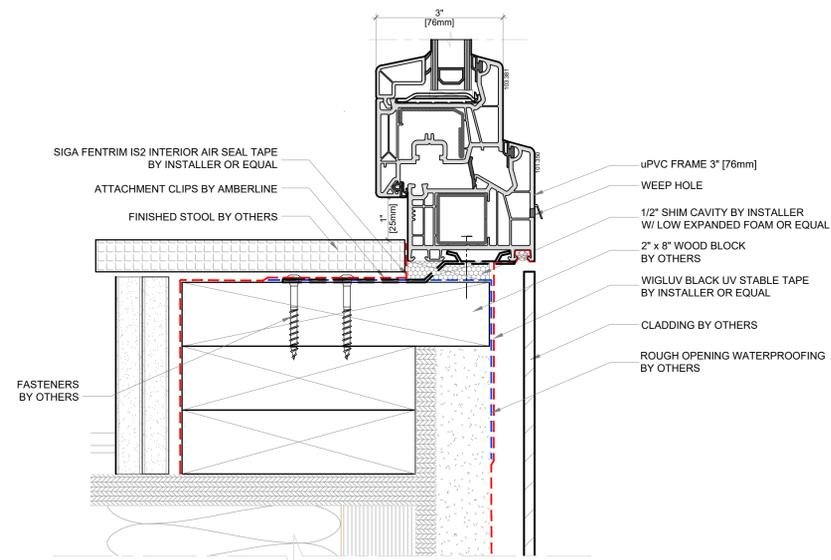
EXTERIOR

Elevation key:

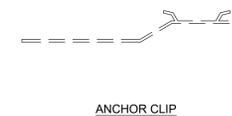


INTERIOR

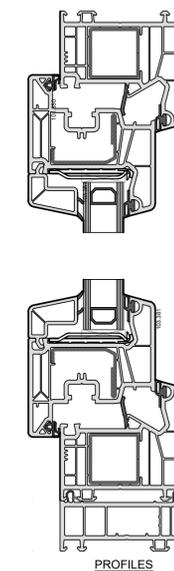
EXTERIOR



3 WINDOW SILL DETAIL
DG-12 SCALE: 6" = 1'-0"



4 PROVIDED BY AMBERLINE
DG-12 SCALE: 6" = 1'-0"

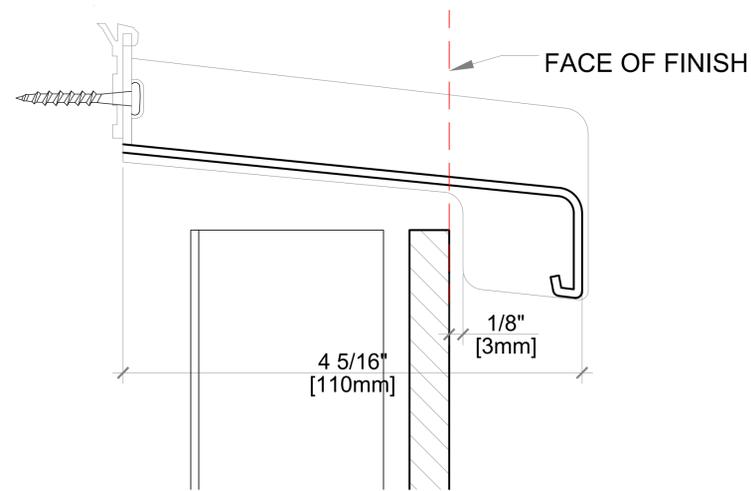


Cladding: Rainscreen Gap
Install Type: New Construction
Position in Wall: Projected
Wall Type: Wood Frame
Insulation: Ext. Insulation
Subsill: No Subsill
Exterior Sill: No Ext. Sill

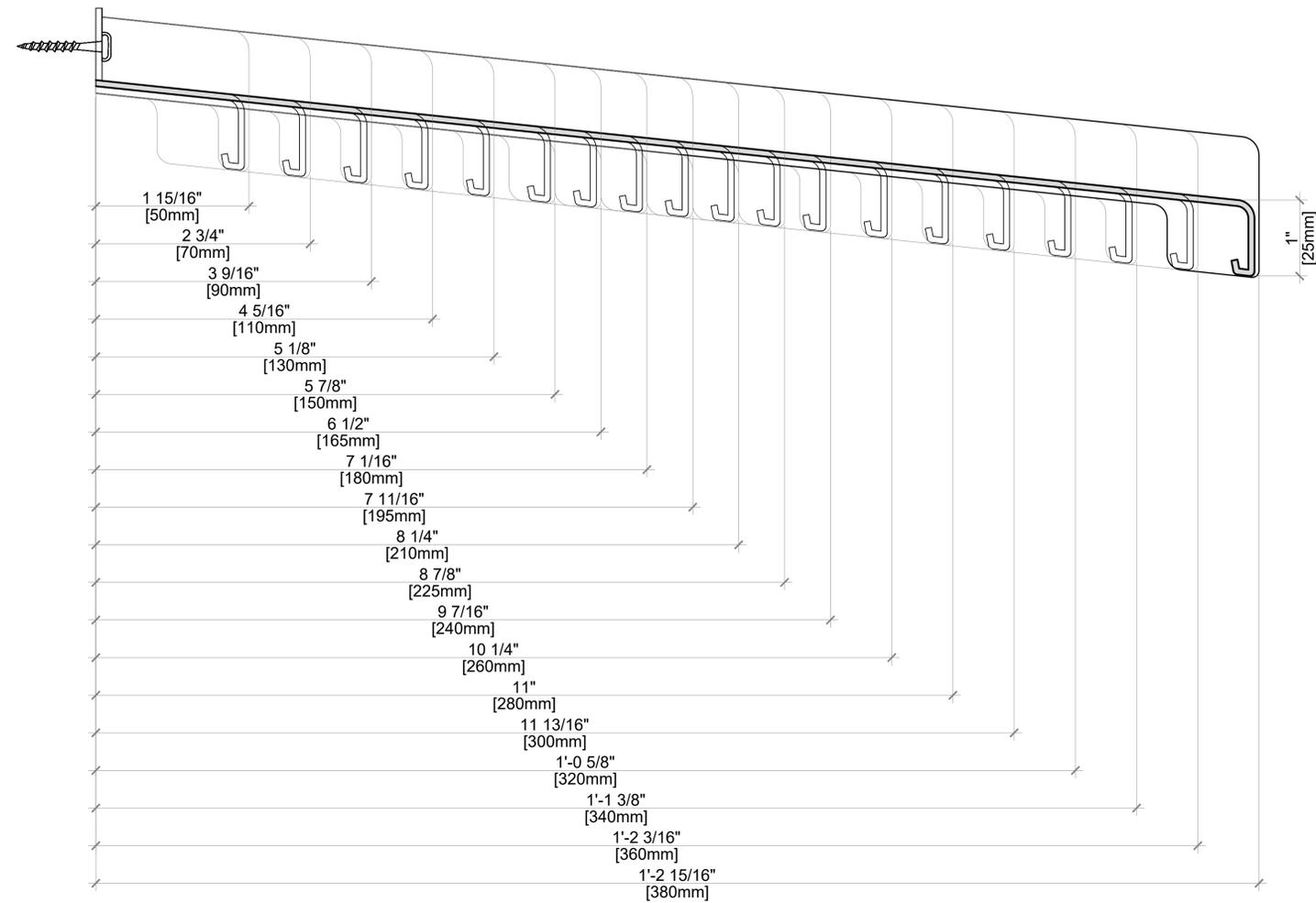
Notes: Available in double & triple glazed

Softline 76mm PVC Typical Installation Details

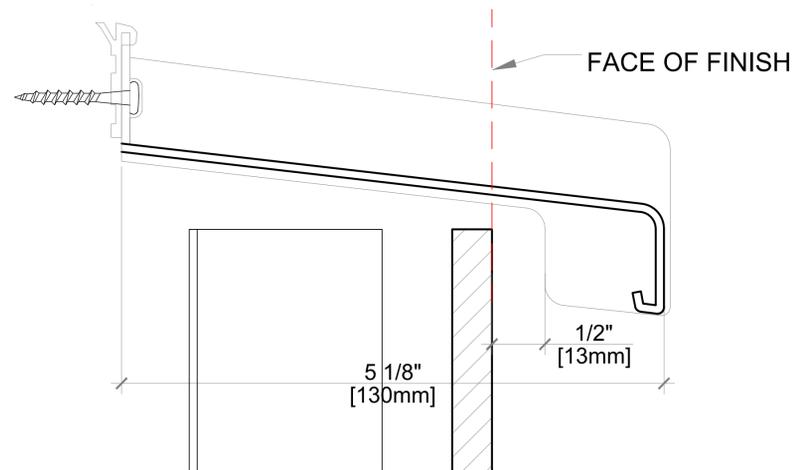
Window - Aluron Sills - Window Sill Installation Details



1 MIN DISTANCE FROM FINISHED FACE TO SILL
DG-IA SCALE: 15" = 1' - 0"

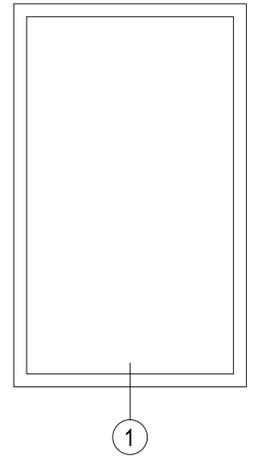


3 ALUMINUM SILL DEPTHS
DG-IA SCALE: 18" = 1' - 0"



2 MAX DISTANCE FROM FINISHED FACE TO SILL
DG-IA SCALE: 15" = 1' - 0"

Elevation key:



Note: Depth measured from face of sub-sill to outside edge of sill.

Note: Width customized to finish requirements. Recommended Width = Frame Width

Note: Window sills above 8ft wide must be cut into two pieces because of expansion and contraction. A connection profile will be used to join the two pieces together.

Softline 76mm PVC Typical Installation Details

Window - Aluron Sills - Window Sill Installation Details

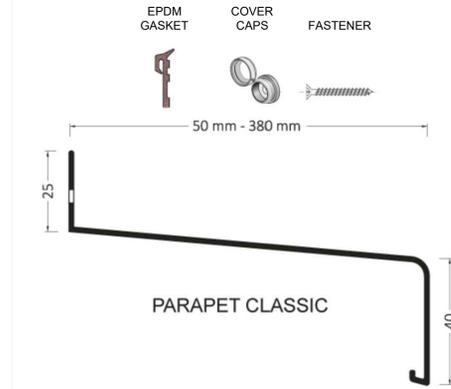


ALUMINIUM WINDOW SILLS CLASSIC

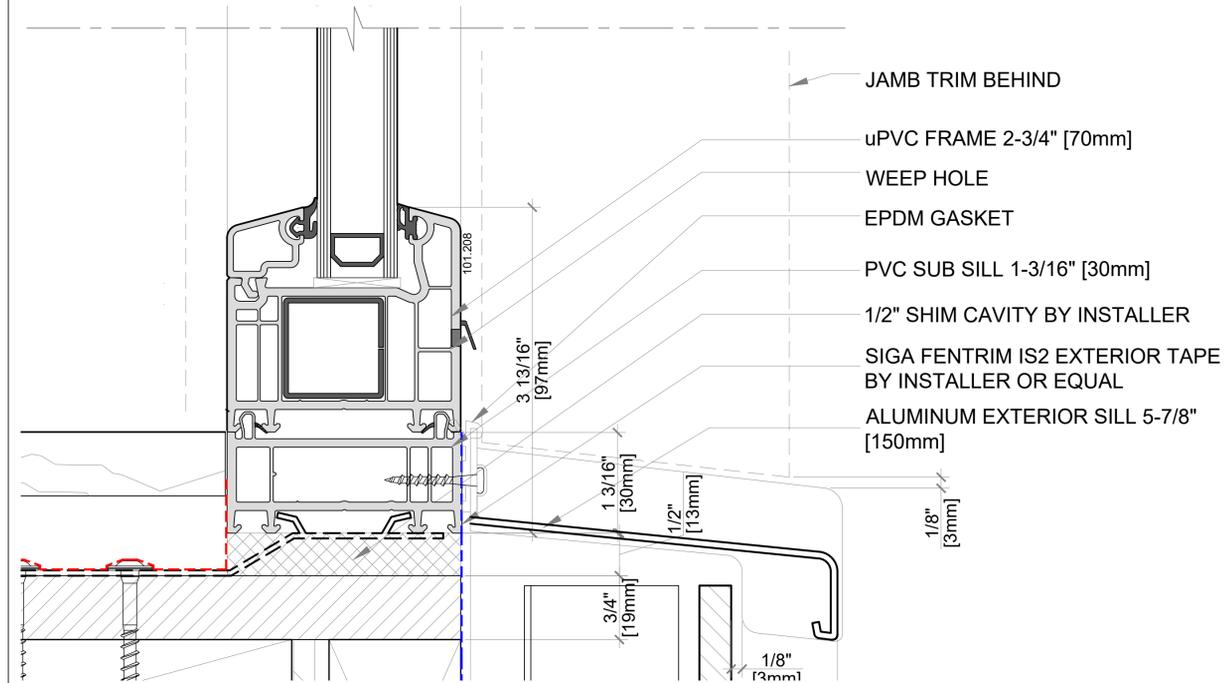
Soft Line and Classic aluminium sills and systems for wooden windows are produced by means of extruding high quality aluminium alloy, thus creating products of perfect durability, tightness and solid build. Soft Line and Classic sills receive a full set of complementary accessories: with caps, gaskets, stainless steel screws equipped with tight clips and drip profiles with end caps. Window sills available in anodised and powder coated versions.

The Classic sill system stands out with:

- Angular shape of profiles
- Varied width of window sills: 50 to 380 mm
- Extruded profiles of high rigidity
- A broad range of accessories, including sill support for thermo type facades

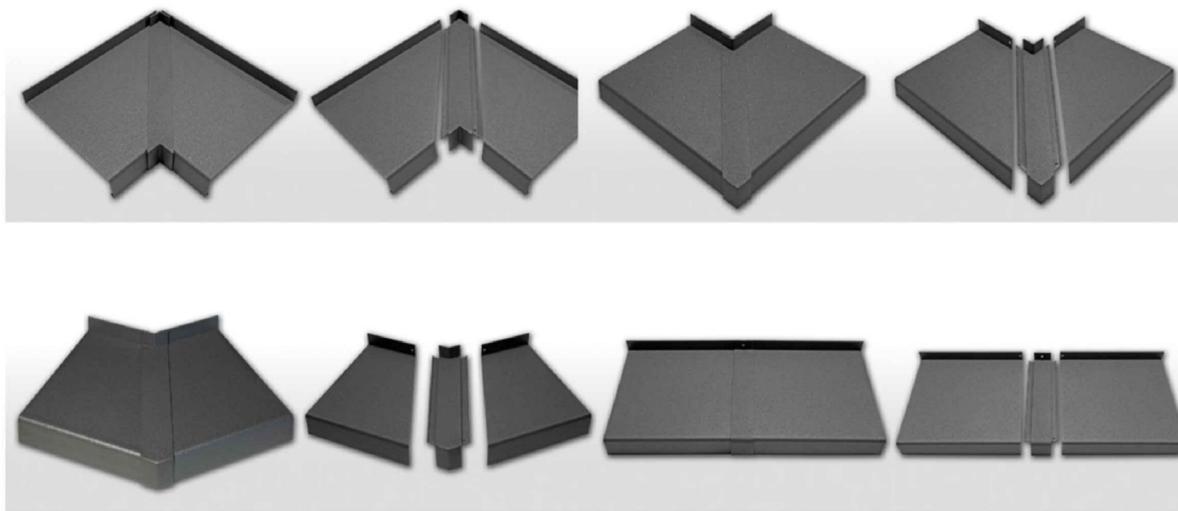
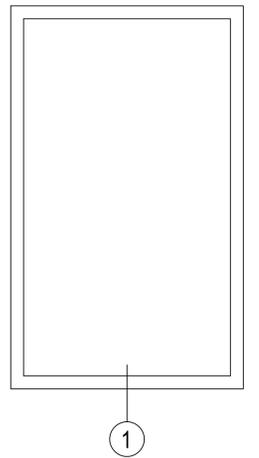


1 ALUMINIUM SILLS
DG-IB SCALE:

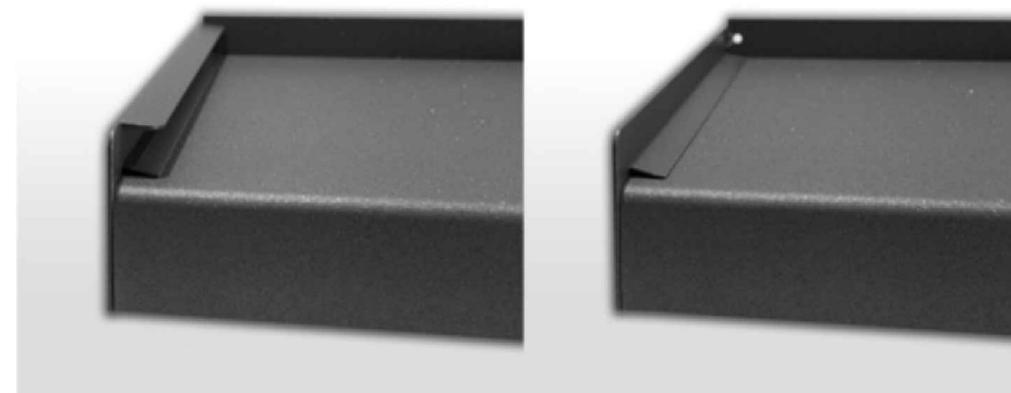


2 WINDOW SILL DETAIL
DG-IB SCALE: 1'-0" = 1'-0"

Elevation key:



3 CONNECTORS FOR WINDOW SILLS
DG-IB SCALE:



END CAP HORIZONTAL

END CAP VERTICAL

4 CAPS FOR WINDOW SILLS
DG-IB SCALE:

Note: Window sills above 8ft wide must be cut into two pieces because of expansion and contraction. A connection profile will be used to join the two pieces together.

IB

Softline 76mm PVC Typical Installation Details

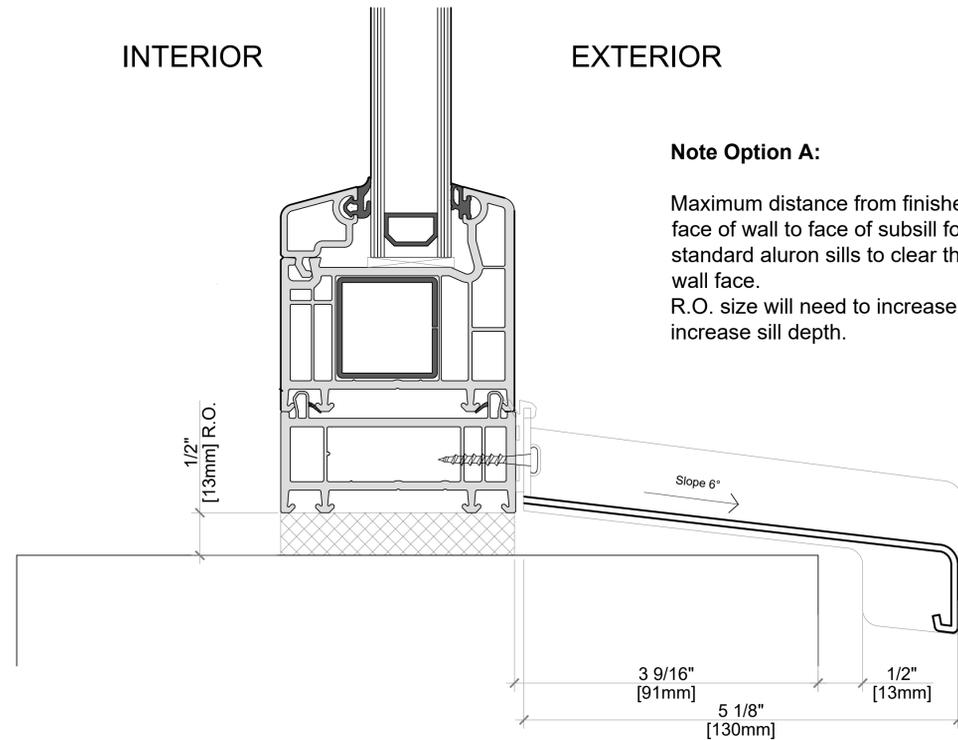
Window - Aluron Sills - Window Sill Installation Details

INTERIOR

EXTERIOR

Note Option A:

Maximum distance from finished face of wall to face of subsill for standard aluron sills to clear the wall face.
R.O. size will need to increase with increase sill depth.



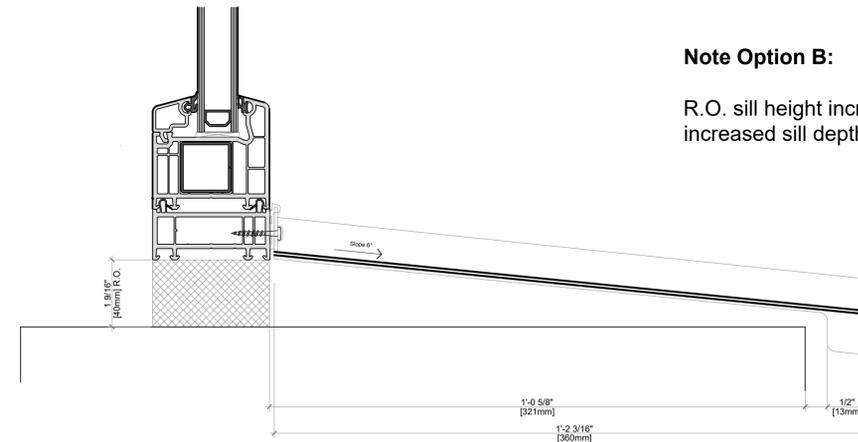
1 ALUMINUM SILL OPTION A
DG-IC SCALE: 1' - 0" = 1' - 0"

INTERIOR

EXTERIOR

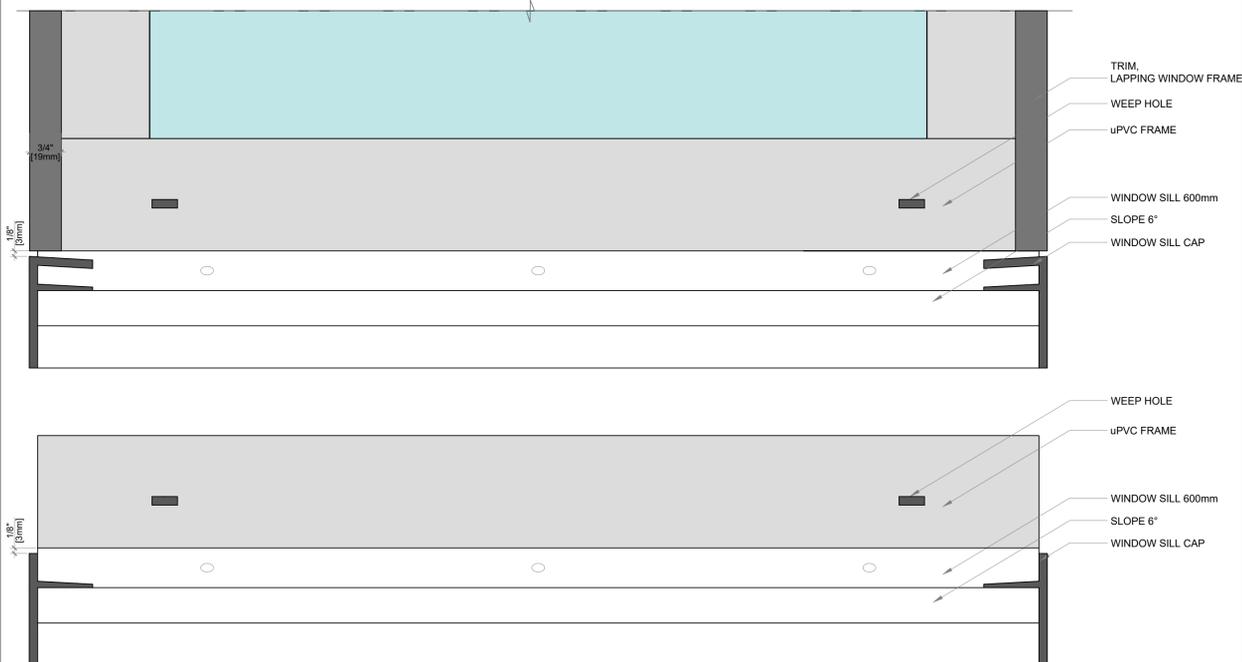
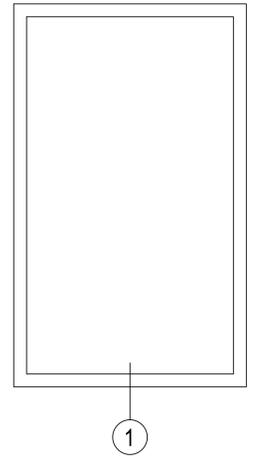
Note Option B:

R.O. sill height increased for increased sill depth.

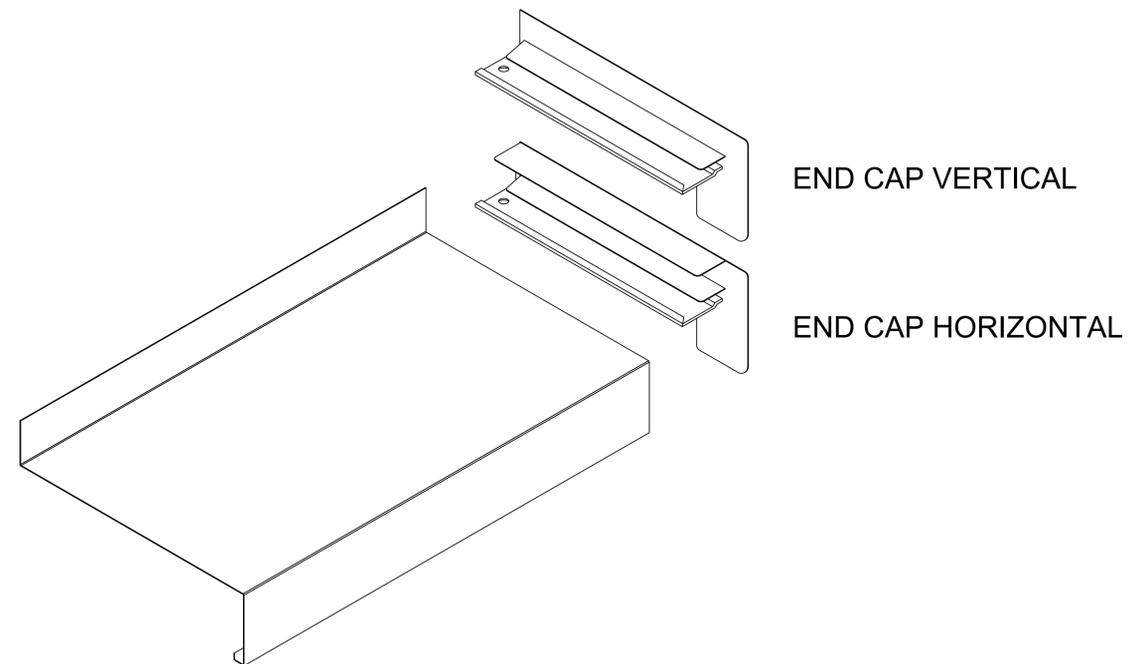


2 ALUMINUM SILL OPTION B
DG-IC SCALE: 6" = 1' - 0"

Elevation key:



3 WINDOW SILL & CAPS - ELEVATION
DG-IC SCALE: 6" = 1' - 0"



4 END CAPS FOR WINDOW SILL
DG-IC SCALE: 20" = 1' - 0"

Note Option A:

Maximum distance from finished face of wall to face of subsill for standard aluron sills to clear the wall face.
R.O. size will need to increase with increase sill depth.

Note Option B:

R.O. sill height increased for increased sill depth.

Note: Window sills above 8ft wide must be cut into two pieces because of expansion and contraction.
A connection profile will be used to join the two pieces together.

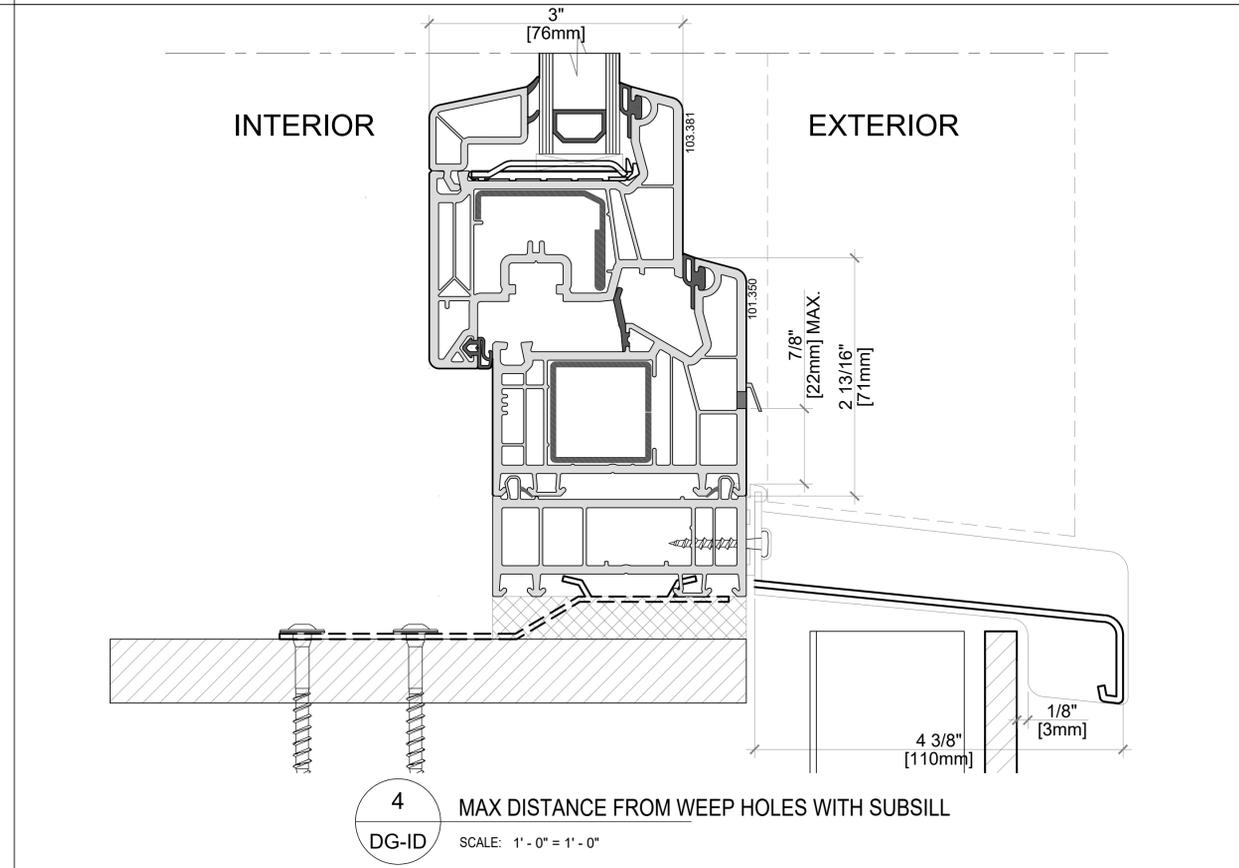
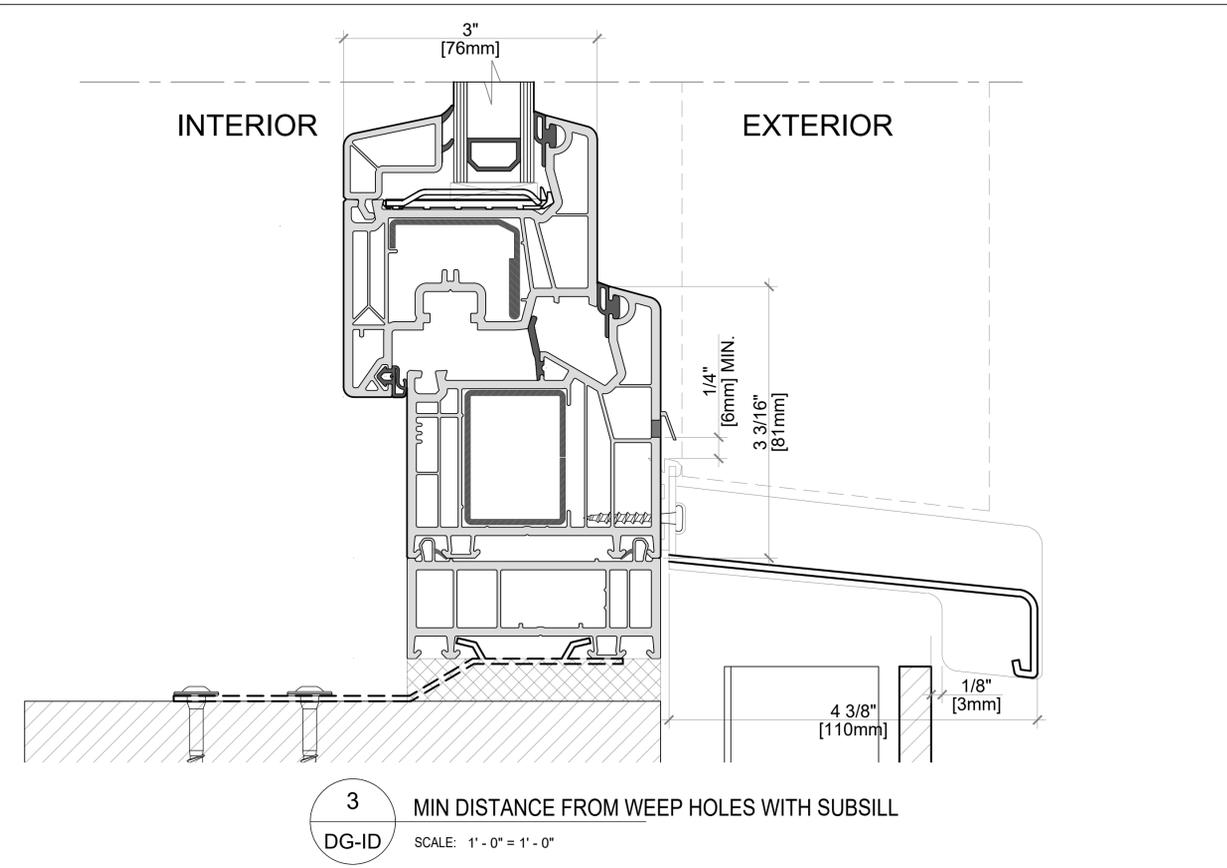
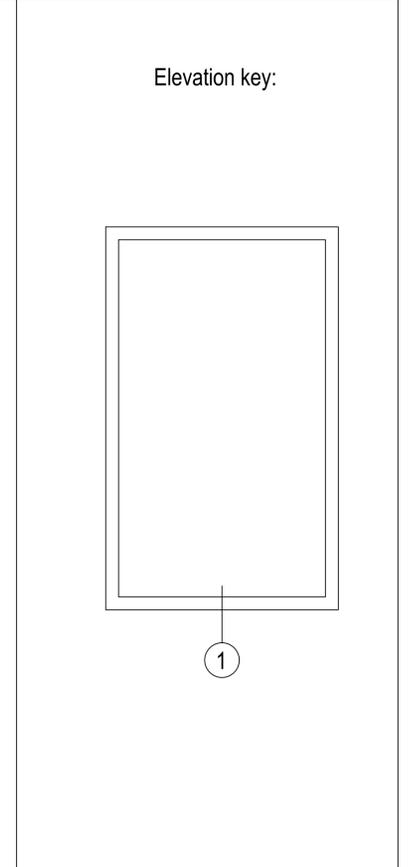
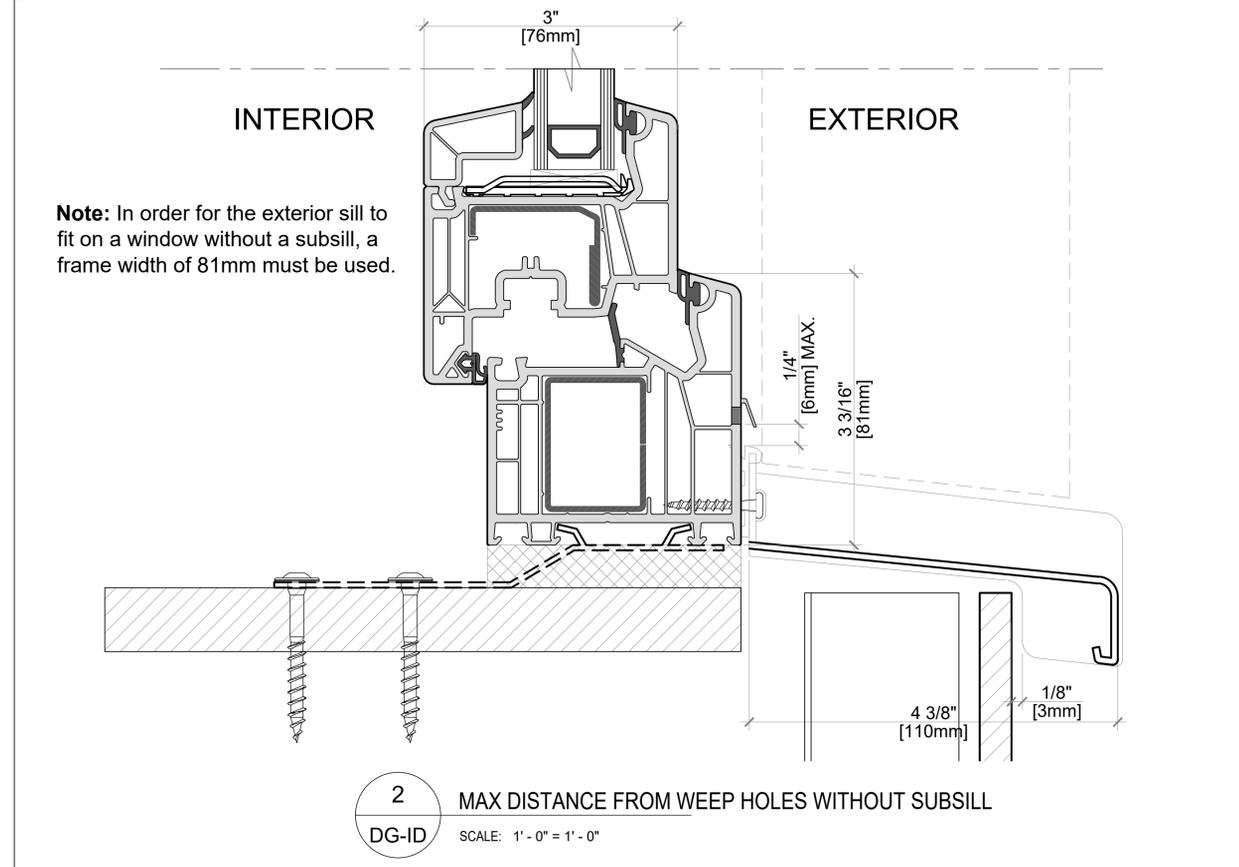
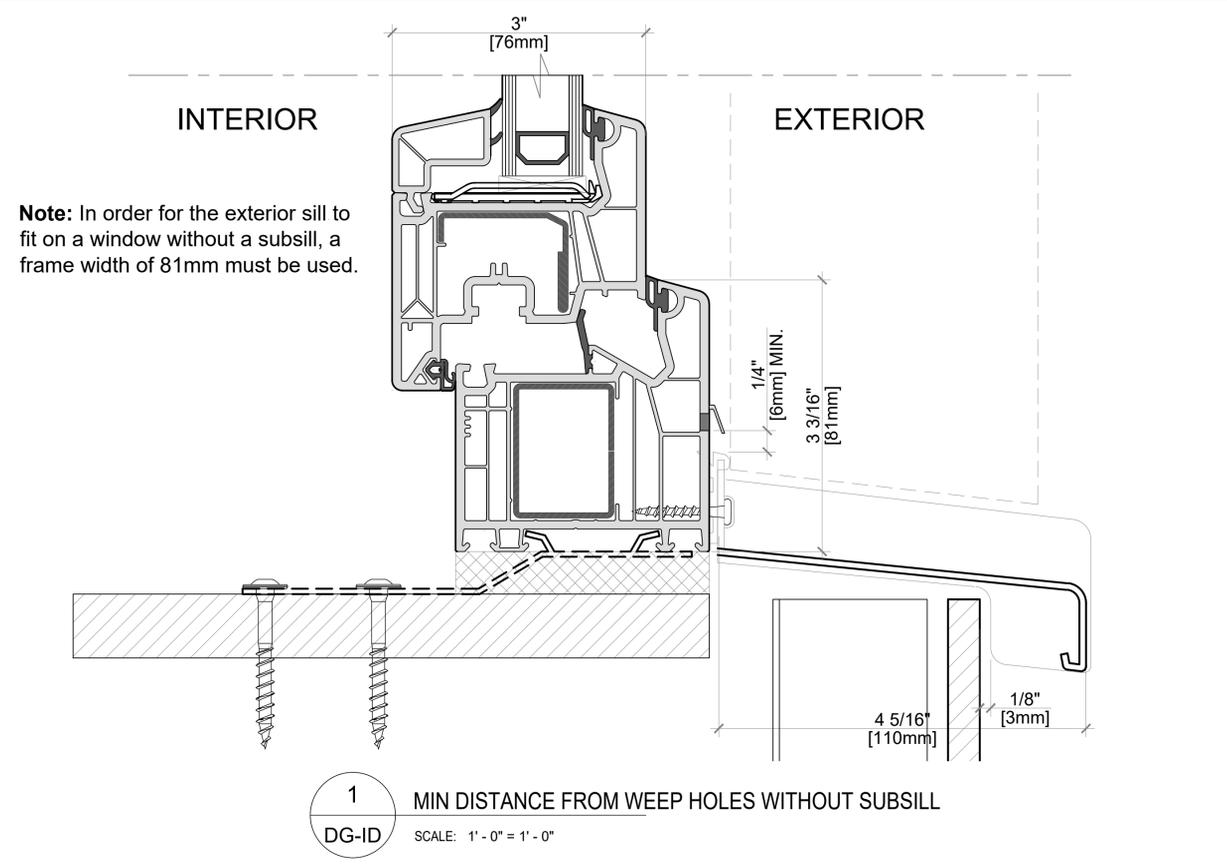
IC

Softline 76mm PVC Typical Installation Details

A M B E R L I N E

HIGH PERFORMANCE WINDOWS AND DOORS

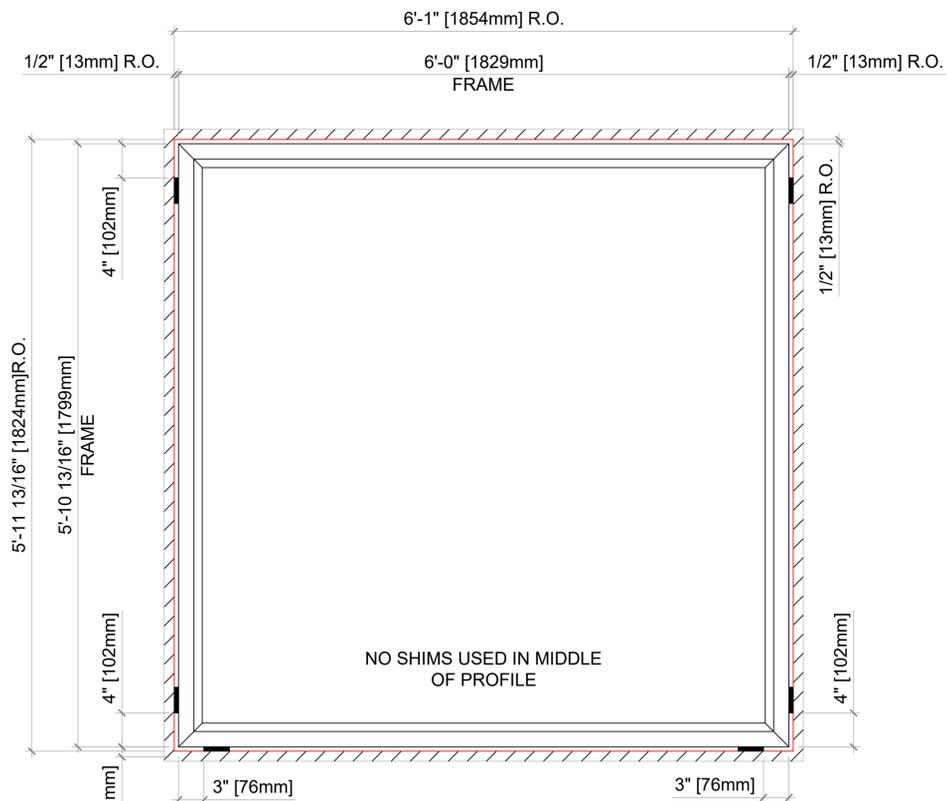
Window - Aluron Sills - Window Sill Installation Details



Note: Do not block weep holes with the window sills. Sills must be placed min. 1/4" below the weep holes.

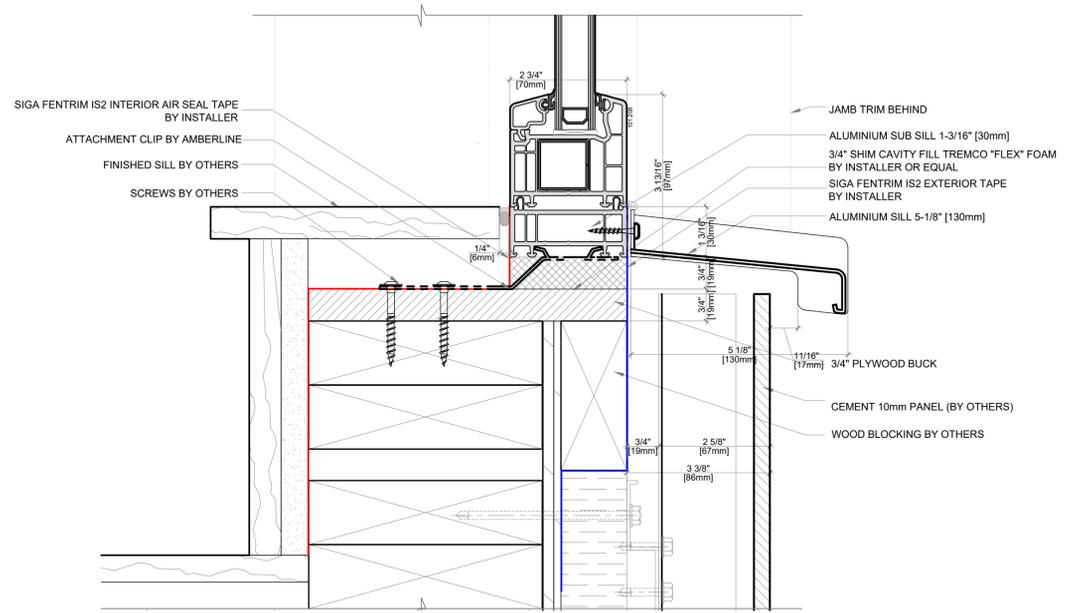
Note: In order for the exterior sill to fit on a window without a subsill, a frame width of 81mm must be used.

ID



1 Shim Placement - Window
 DG-IIA SCALE: 1:10 THIS APPLIES TO ALL OPERATION AND FIXED WINDOWS)

Note:
 Example install detail for reference only.
 Project specific will vary.

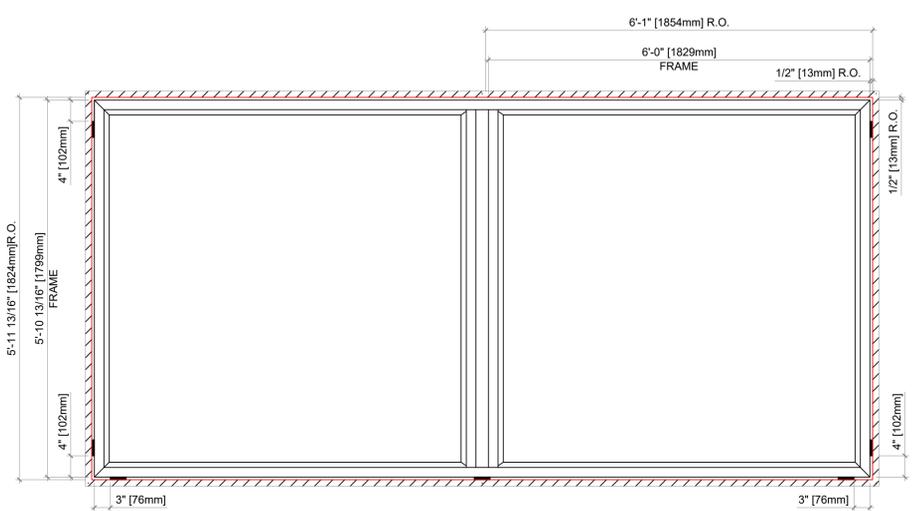


Rules for Shim:

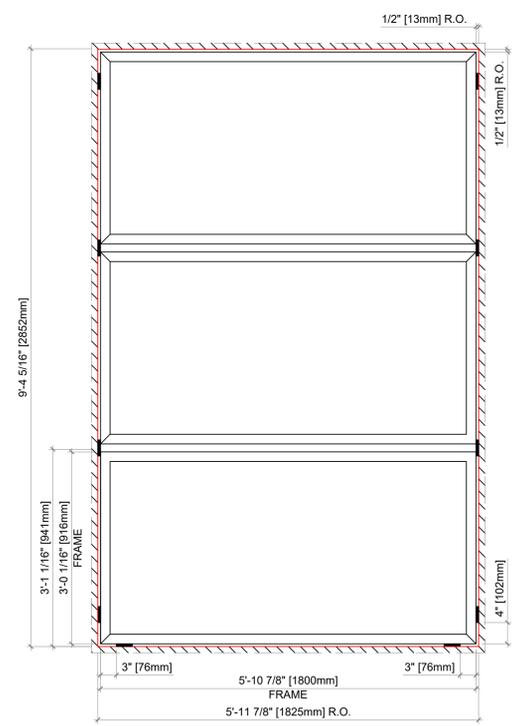
Typical for all 4 sides is 1/2" (12mm)
 Max is 3/4" (18mm)
 Min is 1/4" (6mm)

2 Rough Opening Shim/Insulation Cavity
 DG-IIA SCALE: 1:2

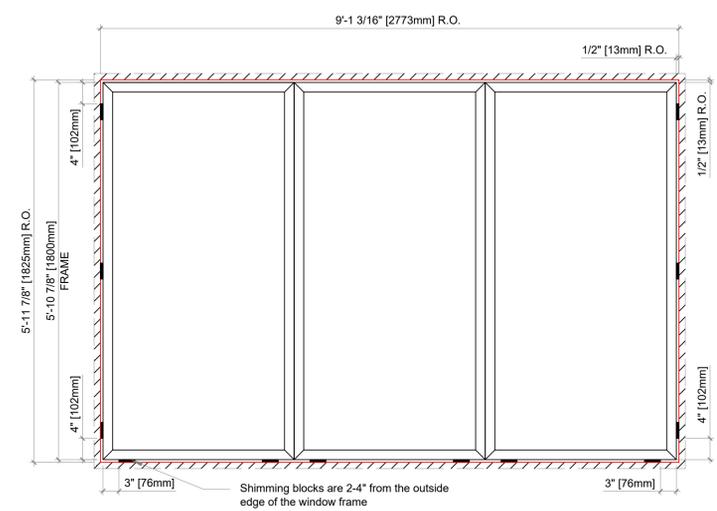
Elevation key:



3 Shim Placement - Typical Size Factory Mullered Window
 DG-IIA SCALE: 1:16 (FIXED OR OPERABLE)



4 Shim Placement - Vertical Frame to Frame
 DG-IIA SCALE: 1:16



5 Shim Placement - 3 Frame to Frame Mullered Window
 DG-IIA SCALE: 1:16 (FIXED OR OPERABLE)

A M B E R L I N E

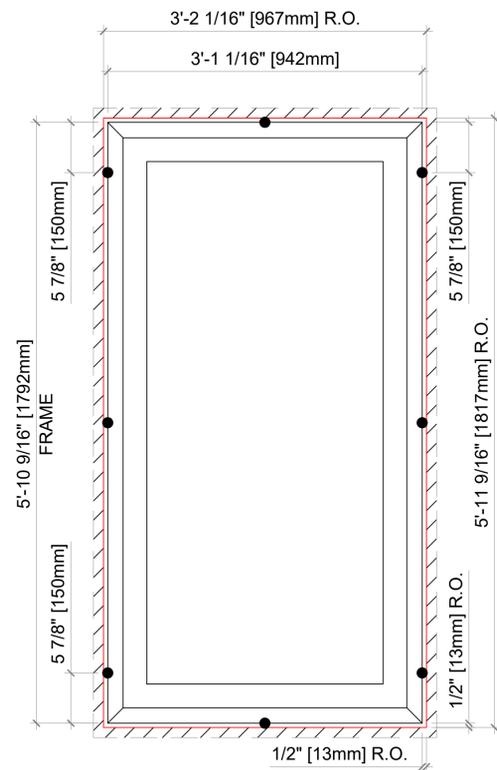
Notes:

Shimming blocks are 2-4" from the outside edge of the window frame.

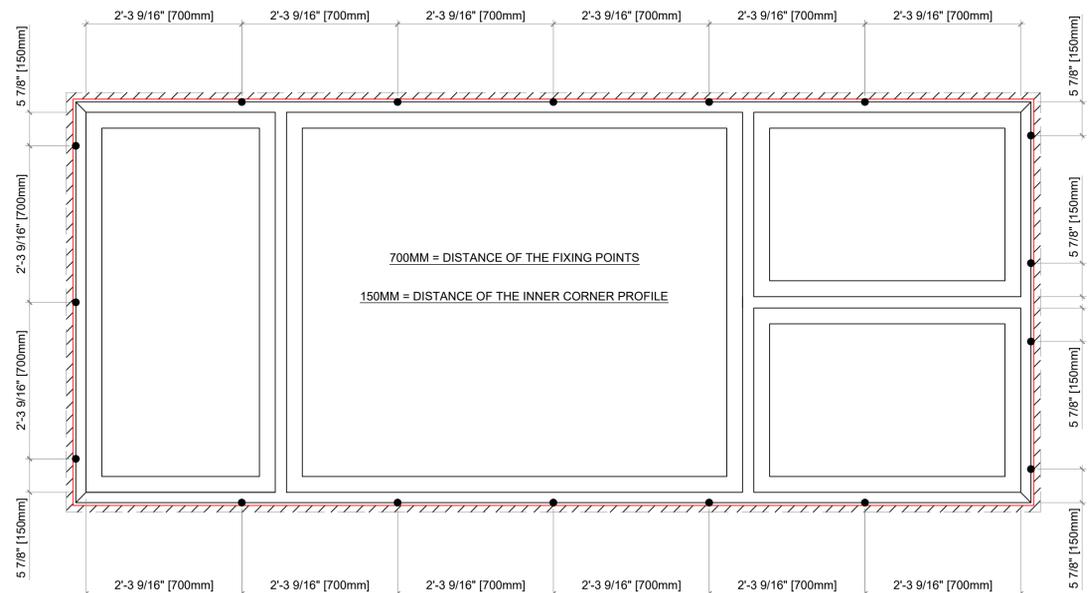
█ = SHIMMING / PACKING BLOCKS (PLASTIC OR COMPOSITE SHIMS MEANING NO WOOD SHIMS)

I I A

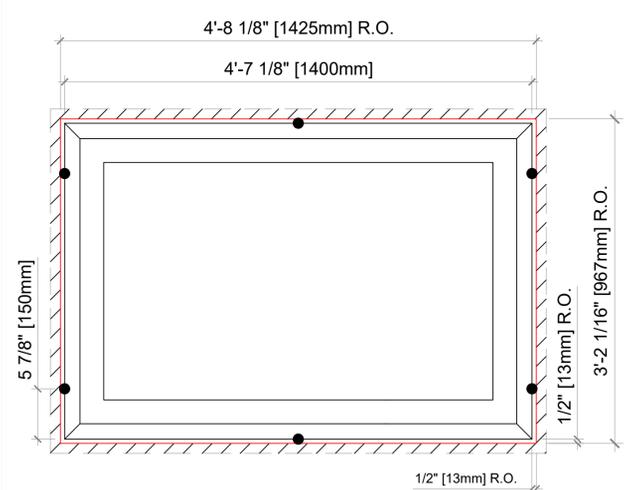
Detail Type : Shimming of the uPVC Window Elements	
Drawing Title : Amberline uPVC Window Shimming & Anchoring Guidelines	
Date : 2020-10-20	Scale : Refer to Drawing
Drawn By : CN	
Drawing No : DG-01	



1 Strap Placement - Fixed Window 942x1792mm
 DG-IIB SCALE: 1:10

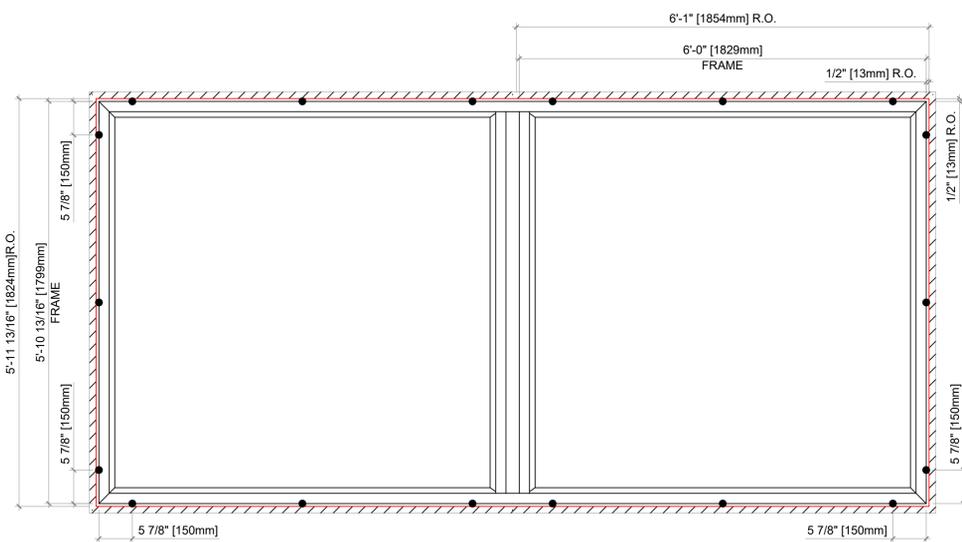


2 Distances for the Straps
 DG-IIB SCALE: 1:15

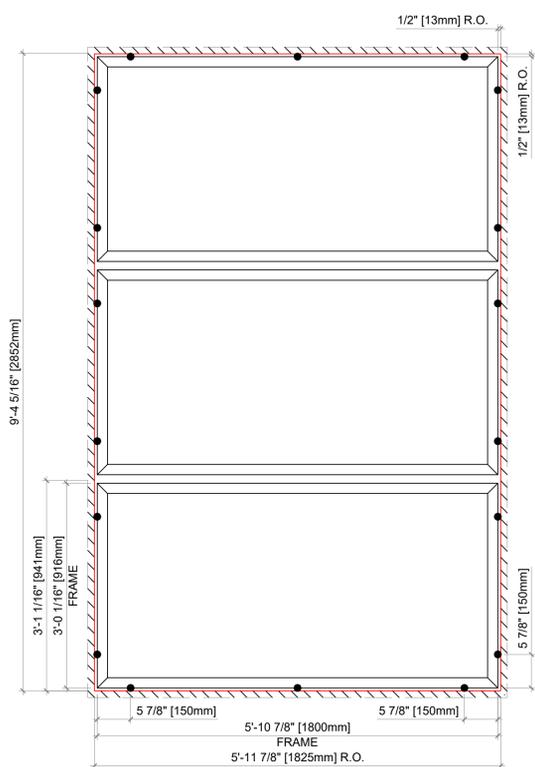


3 Strap Placement - Fixed Window 1400x942mm
 DG-IIB SCALE: 1:10

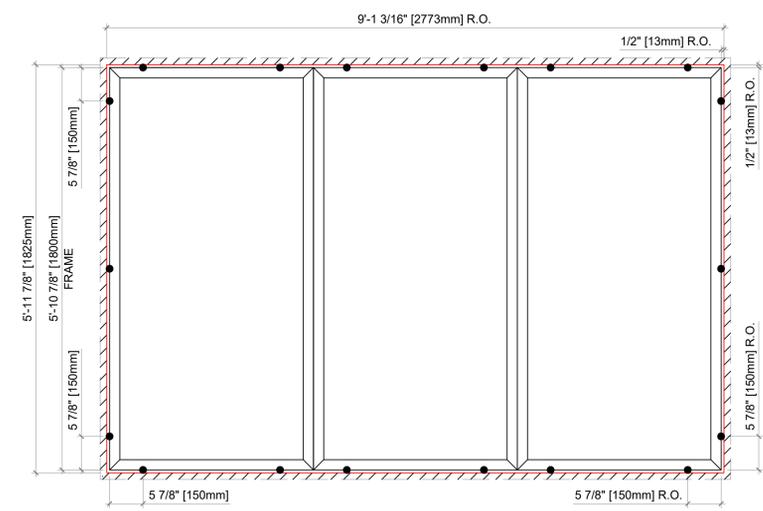
Elevation key:



4 Strap Placement - Typical Size Factory Muller Window
 DG-IIB SCALE: 1:10



5 Strap Placement - Vertical Frame to Frame
 DG-IIB SCALE: 1:10



6 Strap Placement - 3 Frame to Frame Muller Window
 DG-IIB SCALE: 1:10

A M B E R L I N E

Notes:

Typical uPVC frame strap installation at the sill, 70, 76 and 82mm frame profiles (jamb and head are the same with or without the sub sill profile).

● = Strap Placement

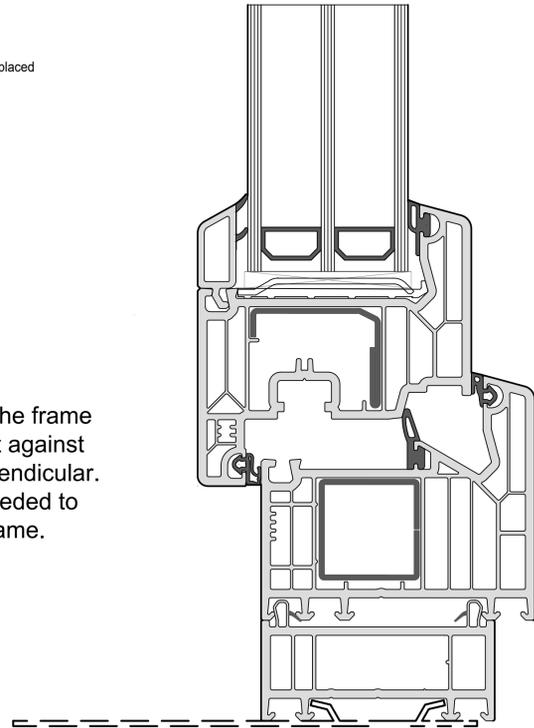
IIB

Detail Type : Arrangement of the Straps for uPVC Windows	
Drawing Title : Amberline uPVC Window Shimming & Anchoring Guidelines	
Date : 2020-10-20	
Drawn By : CN	Scale : 1:10
Drawing No : DG-0	

Elevation key:

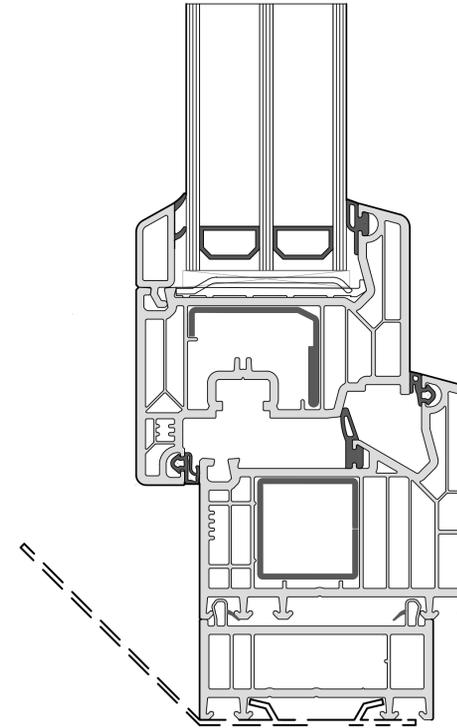
1 Step 1: uPVC Strap Installation
DG-IIC SCALE: 1:1 Before the unit is placed in the opening

Rotate the strap flat into the frame channel so that it sits flat against the uPVC frame and perpendicular. Typically no screw is needed to fix the strap to the frame.



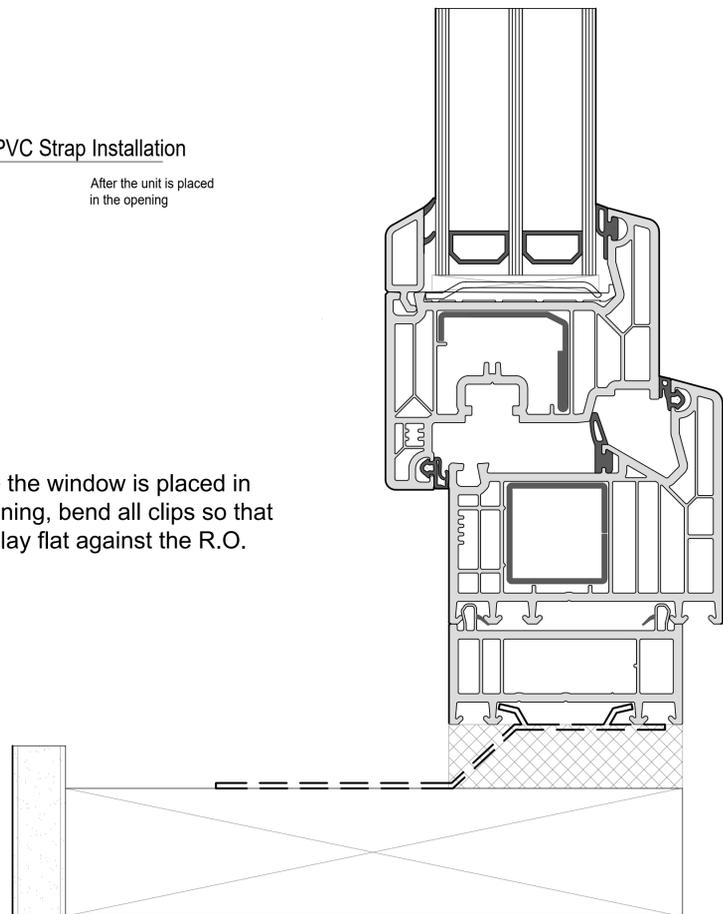
2 Step 2: uPVC Strap Installation
DG-IIC SCALE: 1:1 Before the unit is placed in the opening

Bend all straps inward before placing the window in the opening.



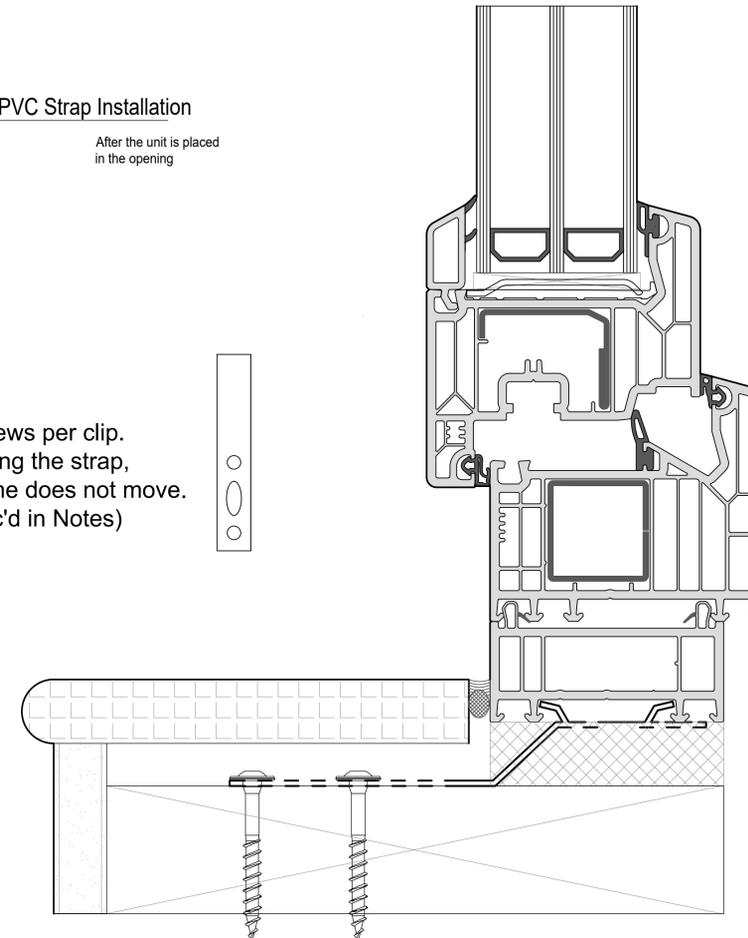
3 Step 3: uPVC Strap Installation
DG-IIC SCALE: 1:1 After the unit is placed in the opening

Once the window is placed in the opening, bend all clips so that they lay flat against the R.O.



4 Step 4: uPVC Strap Installation
DG-IIC SCALE: 1:1 After the unit is placed in the opening

Fasten 2 screws per clip. When fastening the strap, make sure the frame does not move. (screws spec'd in Notes)



A M B E R L I N E

Notes:

IIC

Detail Type : uPVC Window Strap Installation

Drawing Title : Amberline uPVC Window Shimming & Anchoring Guidelines

Date : 2020-10-20

Drawn By : CN

Scale : 1:1

Drawing No : DG-0

Shim and Strap Notes:

If any notes are NOT met, your system warranty will be voided.

Shim Notes:

- WHEN THE WINDOW IS OVER 5 FEET IN HEIGHT, ADD SHIMS AS NEEDED AT THE JAMBS TO KEEP THE PROFILE STRAIGHT.
- WHEN THE BUILDING IS OVER 3 STORIES, THE SHIMMING COULD CHANGE AND/OR MAY NEED TO ADD MORE STRAPS DEPENDING ON THE WIND-LOAD. ANY ADDITIONAL INFORMATION WILL BE PROVIDED WITH THE PROJECT SPECIFIC SHOP DRAWING.
- NO SHIMS ARE USED AT THE HEAD. SHIMS OR WEDGES CAN BE USED TEMPERATELY FOR INSTALLATION. (SEE DIAGRAM)
- ONLY 2 SHIMS ARE USED AT CORNERS ON THE SILL TO TRANSFER THE UNIT'S DEAD LOAD PATHS. **NO SHIMS ARE TO BE USED IN THE MIDDLE OF THE PROFILE.**
- IF THE SHIM CAVITY IS LARGER THEN $\frac{3}{4}$ ", PAD ROUGH OPENING TO DECREASE THE R.O. GAP TO BELOW $\frac{3}{4}$ ".

Strap Notes:

- ONLY USE THE PROVIDED AMBERLINE STRAPS ON A AMBERLINE WINDOW. SOME STRAPS WILL LOOK SLIGHTLY DIFFERENT BUT THEY ALL WORK THE SAME.
- STRAPS ARE PLACED EVERY 700MM. IF THERE IS AN UNEQUAL DIVISION, ADD ONE MORE EVENLY DISTRIBUTED STRAPS. (SEE DIAGRAM)
- WHEN THE WINDOW IS UNDER 1400MM / 55" WIDTH - ONE STRAP PLACED IN THE CENTER OF THE WINDOW. (SEE DIAGRAM)
- WHEN THE WINDOW IS OVER 1400MM / 55" WIDTH - TWO STRAPS EQUALLY SPACED. (SEE DIAGRAM)
- THERE MUST BE TWO SCREWS PER ANCHORING STRAP, SCREWS NEED TO BE EMBEDDED $1\frac{1}{2}$ " WITH GRK #8 1-1/2" CABINET SCREWS OR EQUIVALENT (GRK #8 $1\frac{1}{2}$ " WOOD SCREWS).
- THE STRAP MUST BE BENT AND SITTING FLAT AGAINST THE BUILDING ROUGH OPENING. (SEE STEPS FOR WINDOW STRAP INSTALLATION ABOVE)

A M B E  L I N E

Notes:

IID

Detail Type : uPVC Window Shimming & Strapping Notes

Drawing Title : Amberline uPVC Window Shimming & Anchoring Guidelines

Date : 2020-10-20

Drawn By : CN

Scale : 1:1

Drawing No : DG-0