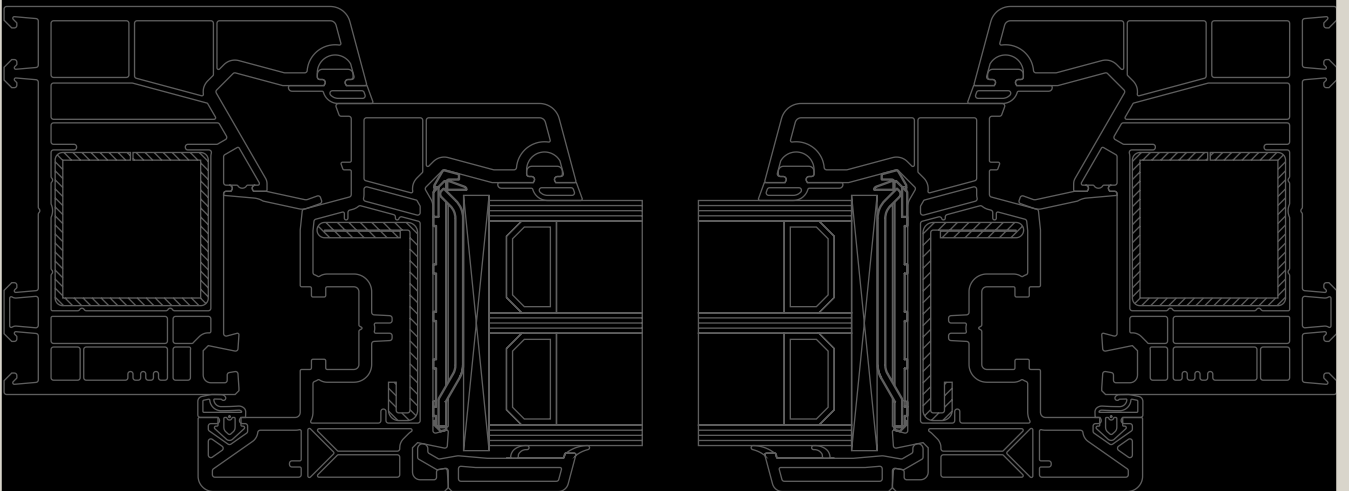


# A M B E **R** L I N E

HIGH PERFORMANCE WINDOWS AND DOORS

**82MM SOFTLINE**



# UPVC WINDOWS

## 82MM SOFTLINE

THE AMBERLINE 82MM SOFTLINE IS THE PERFECT CHOICE FOR THE MOST THERMALLY DEMANDING PASSIVE HOUSE BUILDINGS. THE SOFTLINE 82MM UPHOLDS OUR SLEEK PROFILE, WHILE MAINTAINING THE SAME STANDARD AS THE REST OF THE SERIES. ADDITIONALLY, THE 82MM FRAME ELEVATES THE ULTIMATE LEVEL OF PERFORMANCE IN UPVC WINDOW SYSTEMS. HIGHLIGHTING THE PRESSGLASS STANDARD OF HIGH PERFORMANCE, THE SOFTLINE 82MM'S TRIPLE-PANE CONFIGURATION PROVIDES THE OPTIMAL ENVIRONMENT IN ALL CONDITIONS AND LOCATIONS.



# VEKA BY AMBERLINE 82MM SOFTLINE WINDOWS

## 1. ONLY CLASS A VEKA PROFILES

"Class A: defined by minimum wall thickness of 3mm and no larger deviation than +/- 0.02mm.

## 2. 82MM SASH FACE WIDTH STANDARD

Designed with a slim sash.

## 3. SEVEN-CHAMBER

Class-leading thermal performance.

## 4. DEEP GUTTER TO DIRECT WATER

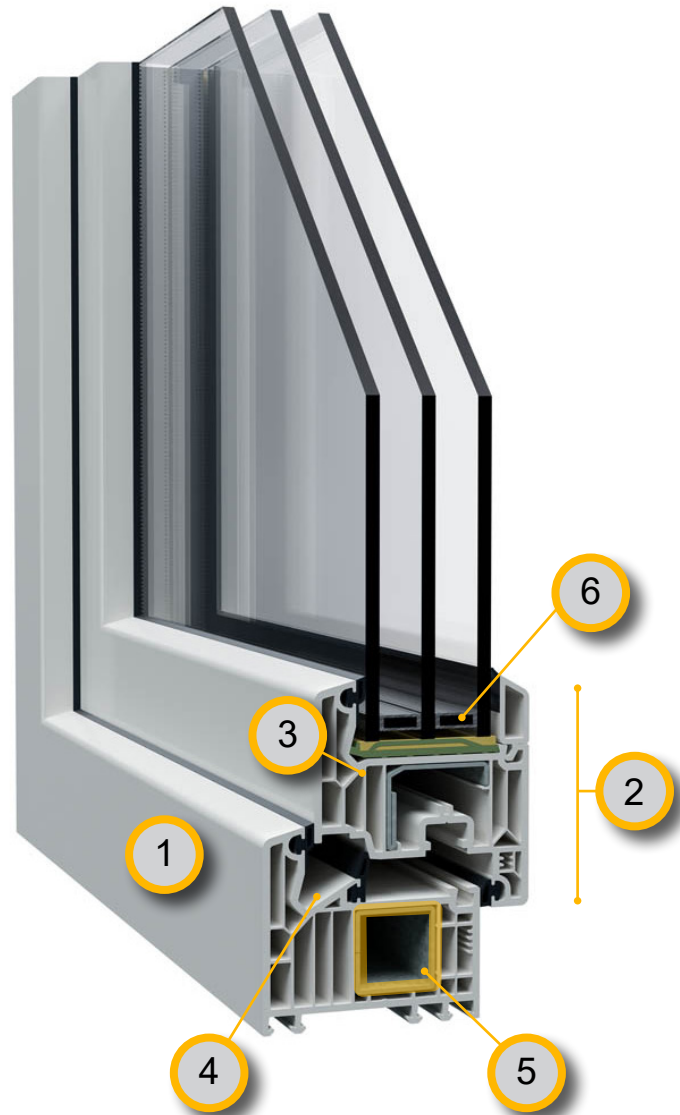
Water is redirected more efficiently through gutter to the weep holes.

## 5. FULL GALVANIZED FRAME

Veka is one of the only system suppliers to use a fully boxed frame to increase durability and strength. Other suppliers commonly use "C" or "L" profiles to reduce cost at the expense of strength.

## 6. GLAZING POCKET DEPTH

82mm frame can accommodate glazing pocket depth of 52mm.



## TILT BEFORE TURN HARDWARE

With the option to lock the turn function, this hardware prevents falls from windows.

## WINKHAUS AND HOPPE HARDWARE

Leading German manufacturers of window and door hardware, Amberline windows are fitted with Winkhaus operational hardware and Hoppe handles.



**82MM SOFTLINE**

**HARDWARE AND  
SPECIFICATIONS**

# WINKHAUS

## HARDWARE AND FITTINGS



### ActivPilot Giant

The turn-tilt system for large windows.

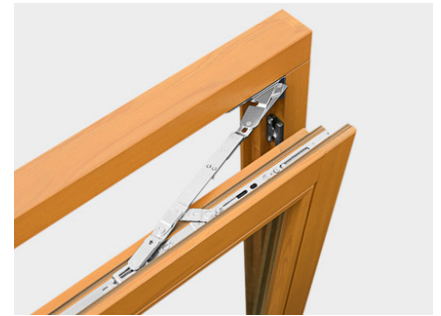
This new product for larger windows combines maximum load-bearing capacity with minimal installation requirements.



### ActivPilot Ergo

The ergonomic turn-tilt system.

The fitting with assisted control offers the highest operating convenience for easy opening of difficult-to-access windows.



### ActivPilot Select

The fully concealed turn-tilt system.

When installed as a standard model, this elegantly designed turn and tilt fitting is able to bear sashes up to 222 lbs.



### ActivPilot Concept

The functional turn-tilt fitting.

With a combination of functionality, security, and operating comfort, this fitting offers a high level of flexibility and fulfills the highest visual design needs.



### ActivPilot Control

A new benchmark in window monitoring.

Using electronics, this system enables you to monitor which windows and doors are open or locked. This allows control over climate, extraction, and alarm.

THE WINKHAUS  
ACTIVPILOT SERIES HAS  
FEWER COMPONENTS  
WHICH PROVIDES  
DISTINCT ADVANTAGES



# GLAZING

OPTIONS FOR SOFTLINE 82MM

PRESSGLASS PROVIDES AMBERLINE WITH GLAZING SOLUTIONS THAT ARE IGCC AND ANSI CERTIFIED. MANUFACTURED IN HOUSE, PRESSGLASS SERVES THE WINDOWS + DOORS, FACADES, AND INTERIOR GLASS CONSTRUCTIONS MARKETS.

## Triple Glazing

Softline 82mm is available exclusively in triple-pane glazing

## Standard SHGC Range

This Range includes 25/35/45/55

## Acoustics

Standard 31 STC double and triple IGU

Higher acoustic assemblies can be tailored to specific project needs

## Spacers

Standard warm edge (16-18mm) spacers for double and triple assemblies

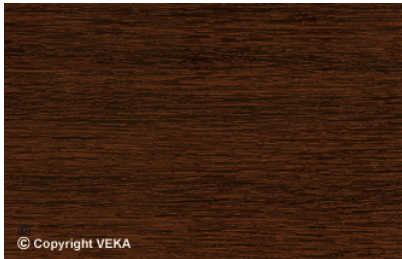
## Glazing Options

Laminate, heat-soaked, tempered (ESG)



# FRAME COLORS

SOFTLINE 82MM



## SPECIAL COLORS

We offer a wide variety of special colors that can be added to the interior or exterior of the frame. We can also provide a different color on the interior and exterior of one window frame.



PLEASE CONTACT US FOR FULL LIST OF COLORS

# FRAME COLORS

SOFTLINE 82MM

## SPECIAL ALUMINUM COLORS

We also offer nine different aluminum foils.



Metbrush alu



Metbrush silver



Metbrush messing



Crown Platin



Alux DB 703



Quartz Platin



Earl Platin



Sheffield Oak Light



Jet Black

## SPECTRAL COLORS

Spectral Colors are available in Anthracite, Platinum Grey, Umbra Grey, Milky White, Graphite Black. Spectral can be used on both sides of the frame, and can be used with Veka Colors.



Anthracite Ultramat



Platinum Grey Ultramat



Umbra Ultramat



Milky White Ultramat



Graphite Black Ultramat



PLEASE CONTACT US FOR FULL LIST OF COLORS



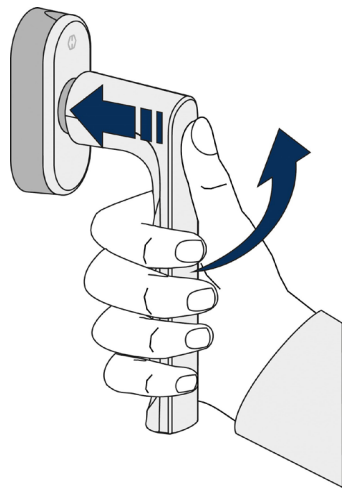
# HANDLE AND OPERATION

OPTIONS FOR SOFTLINE 82MM



AMBERLINE PROVIDES MULTIPLE HANDLES AND STYLES

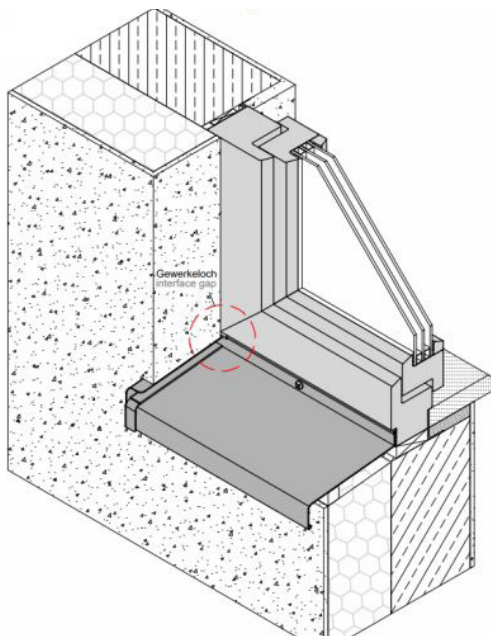
HANDLES COME IN SIX  
STANDARD COLORS.  
THE TILT BEFORE TURN  
FUNCTION ALLOWS FOR  
PROPER VENTILATION  
WHILE ALSO PROVIDING  
FALL PROTECTION.



PLEASE CONTACT US FOR A FULL LIST OF OPTIONS

# GUTMANN ALUMINUM SILLS

OPTIONS FOR SOFTLINE 82MM

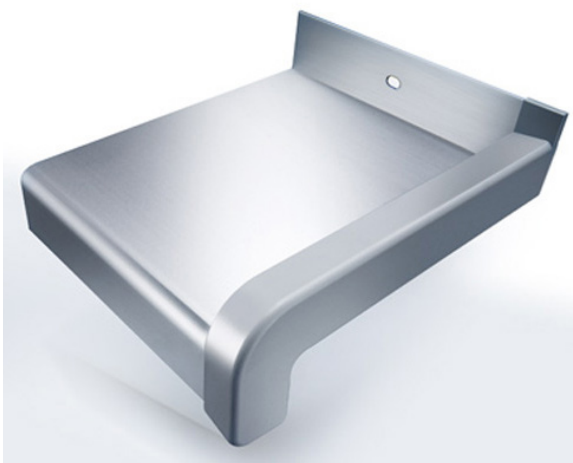


“UNLIKE ANY OTHER SYSTEM MANUFACTURER, GUTMANN RELIES ON THE MODULARITY, VERSATILITY, AND COMPATIBILITY OF THEIR PRODUCTS.”

-GUTMANN

## EXTERIOR WINDOW SILL SIZE

Range from 50mm to 500mm



## OPTIONS

Inside and outside dam corners

End Dams

Custom RAL color to match frame



# A M B E R L I N E

## HIGH PERFORMANCE WINDOWS AND DOORS

EVEN IN COLD CLIMATES, ISO THERMAL LINES ON THE 82MM CROSS SECTION SHOW THAT THERE IS NO CONDENSATION (SEE PAGE 16). THE WARM INTERIOR FACE OF THE FRAME INCREASES END USER COMFORT AS VERIFIED BY THE RATINGS BELOW.

### uPVC

#### VEKA by Amberline 82mm Softline

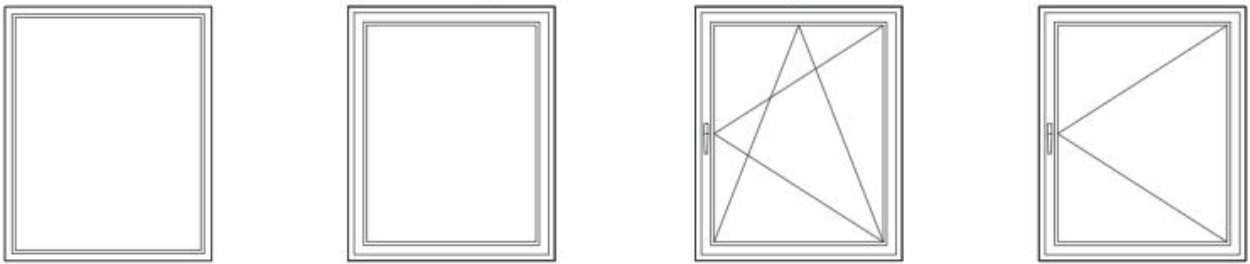
TEST	RATING/RESULTS
<b>UW (U FACTOR SIMULATED)</b> <b>47" X 59" OPERABLE</b>	<b>0.134</b> <b>[BTU/(H•SQFT•°F)]</b>
<b>UW (U FACTOR SIMULATED)</b> <b>47" X 59" FIXED</b>	<b>0.14</b> <b>[BTU/(H•2SQFT•°F)]</b>
STRUCTURAL TEST PRESSURE PSF (PA)	70.18 PSF (3360 PA)
AIR INFILTRATION AT 1.57 PSF ( AT 75 PA)	0.01 CFM/FT <sup>2</sup> (0.2 L/S/M <sup>2</sup> )
WATER PENETRATION RESISTANCE TEST PRESSURE PSF (PA)	12 PSF (574 PSF)
FORCED-ENTRY RESISTANCE (ASTM F-588-07)	GRADE 10 PASS
AAMA/WDMA/CSA 101/I.S.2/A440-11	CW-PG-DAW (48" X 71")

---

# DETAILS AND DRAWINGS

---

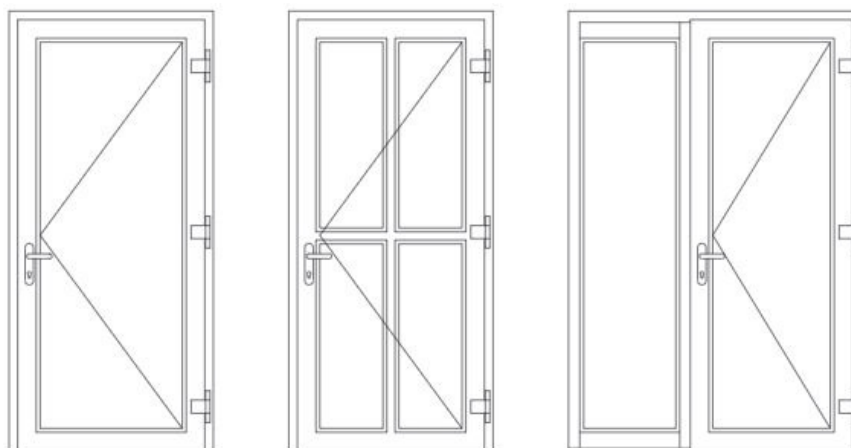
## SOFTLINE 82MM CONFIGURATIONS



**Windows:** Fixed, Picture, Tilt/Turn, Hopper/Tilt Only, Factory and Site-Mulled, etc.



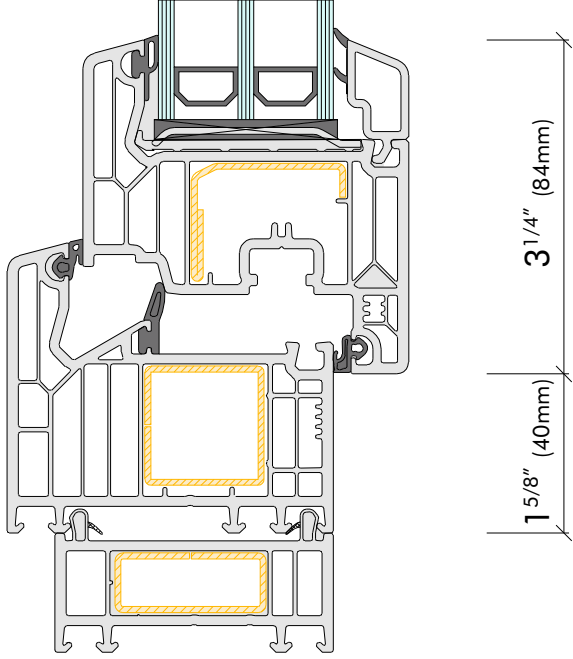
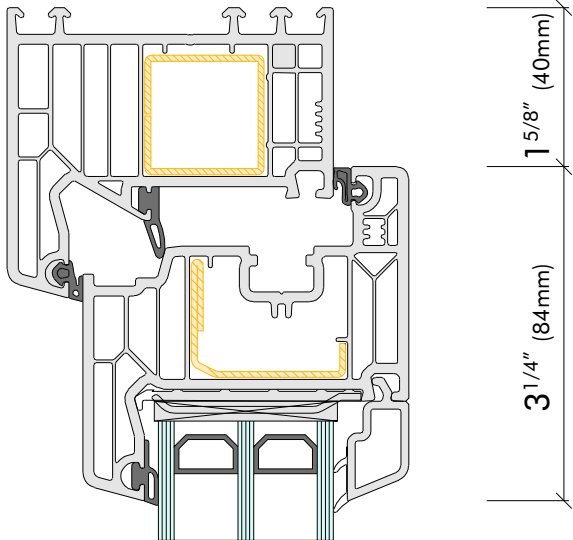
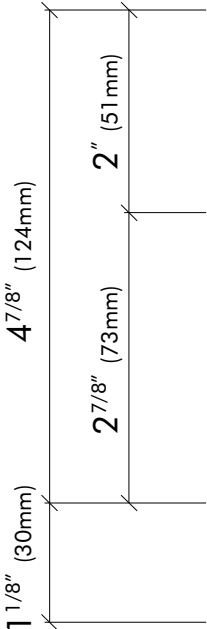
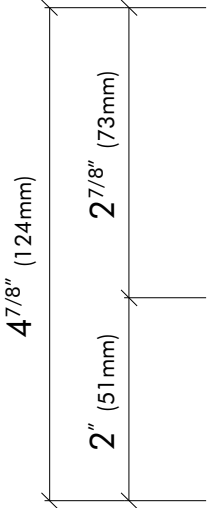
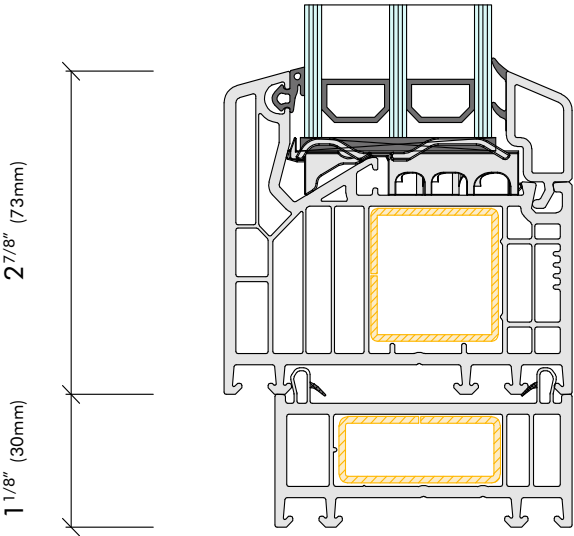
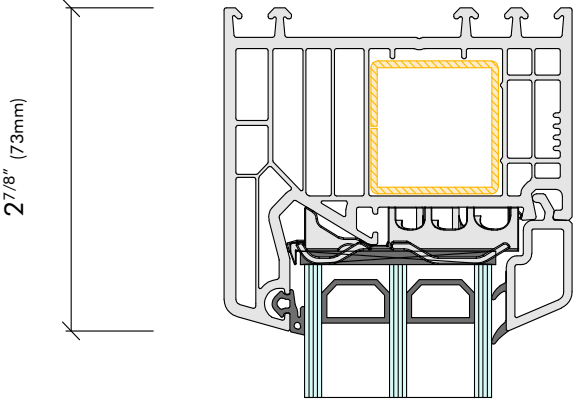
**Patio Doors:** Juliet Balcony, Slider, High or Low Threshold Patios and Balconies



**Entry Doors:** Residential and Commercial Entry Doors

# DETAILS AND DRAWINGS

## SOFTLINE 82MM



## Head and Sill Section

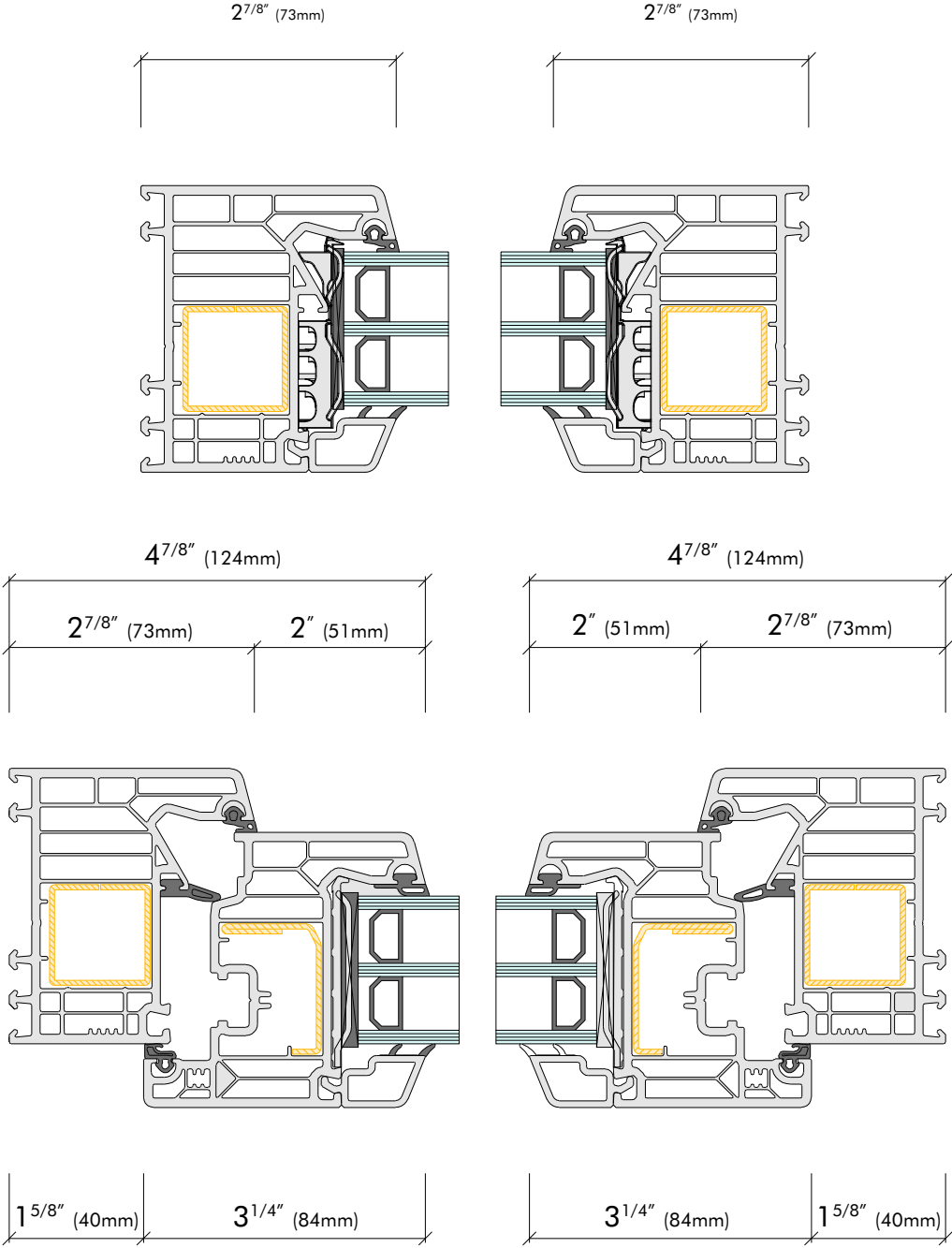
Detail showing a fixed v. operable frame

---

# DETAILS AND DRAWINGS

---

## SOFTLINE 82MM FIXED V. OPERABLE

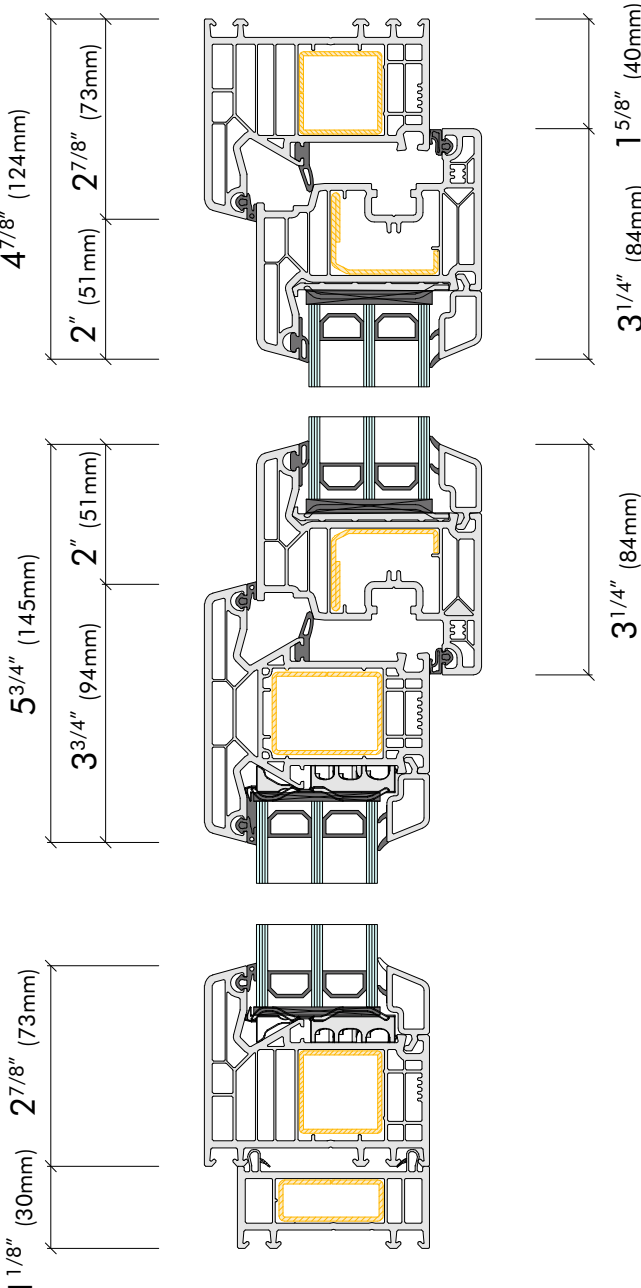


### Jamb Section

Detail showing a fixed v. operable frame

# DETAILS AND DRAWINGS

## SOFTLINE 82MM OPERABLE OVER FIXED

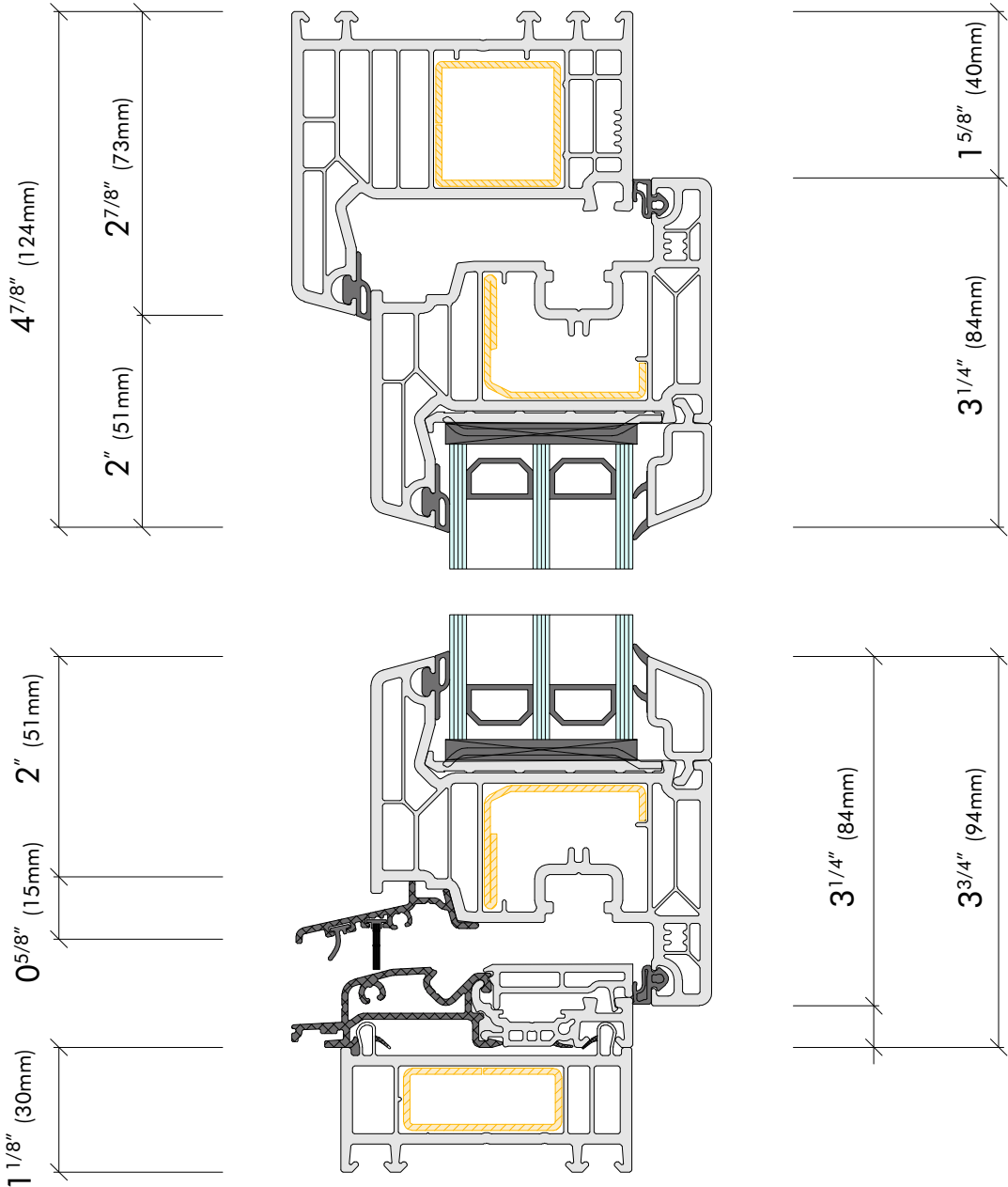


### Head and Sill Section

Detail showing an operable over fixed frame

# DETAILS AND DRAWINGS

## SOFTLINE 82MM DOOR



### Threshold Section

Detail showing door threshold in inches and millimeters

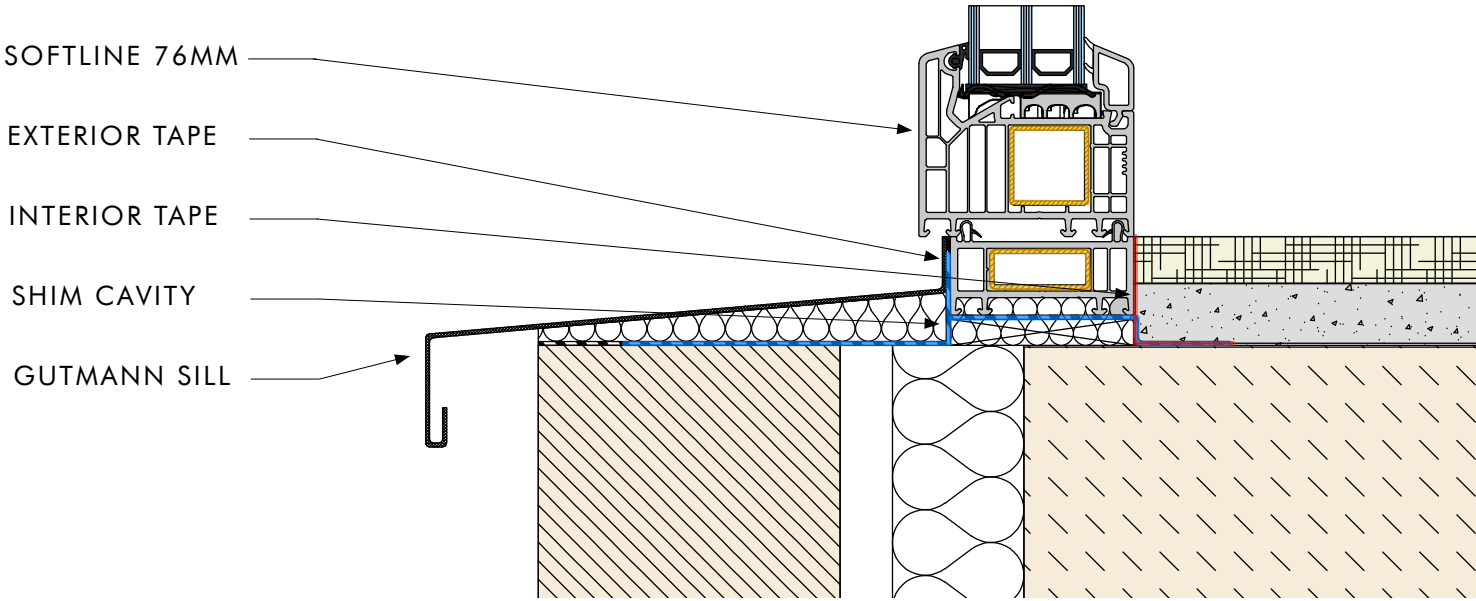


---

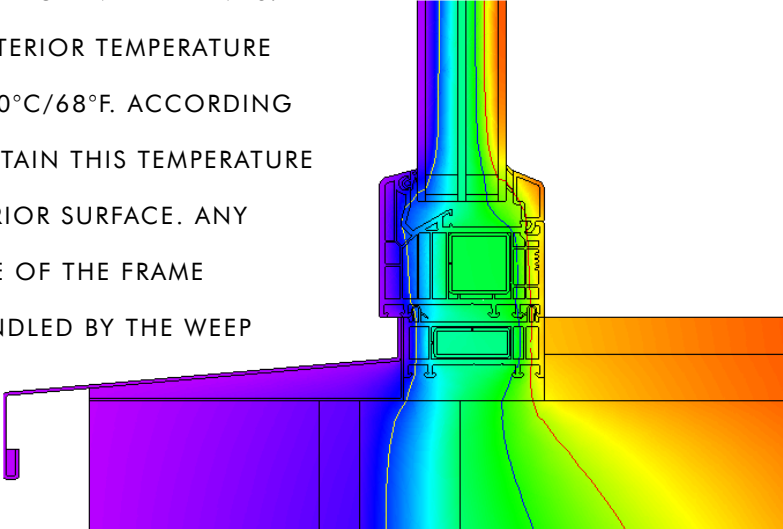
# DETAILS AND DRAWINGS

---

## SOFTLINE 82MM ISOTHERM



THIS TYPICAL INSTALL DETAIL, INCLUDING A GUTMANN SILL, HIGHLIGHTS THE HIGH PERFORMANCE ADVANTAGES OF OUR MULTI-CHAMBER FRAMES. USING HARSH CONDITIONS AS AN EXAMPLE, THE EXTERIOR TEMPERATURE IS SET TO  $-20^{\circ}\text{C}/-4^{\circ}\text{F}$  AND THE INTERIOR IS SET TO  $20^{\circ}\text{C}/68^{\circ}\text{F}$ . ACCORDING TO THIS MODEL, THE GLASS AND FRAME COULD SUSTAIN THIS TEMPERATURE DELTA WITH NO CONDENSATION RISK ON THE INTERIOR SURFACE. ANY CONDENSATION THAT WOULD FORM ON THE INSIDE OF THE FRAME (SHOWN IN BLUE) WOULD FREEZE AND THEN BE HANDLED BY THE WEEP HOLES IN THE FRAME AND SASH.



## Typical Install Detail

# A M B E **R** L I N E

HIGH PERFORMANCE WINDOWS AND DOORS

## CONTACT

[James@amberlinewindows.us](mailto:James@amberlinewindows.us)

## VISIT

[amberlinewindows.us](http://amberlinewindows.us)

## LINKEDIN

[Amberline Windows Northeast](#)

## INSTAGRAM

[@amberline\\_northeast](#)

### Follow Us!

Amberline Northeast is working hard to create an engaging user experience through a variety of platforms including our website, LinkedIn, and Instagram.