

A M B E  L I N E

HIGH PERFORMANCE WINDOWS AND DOORS

ALUPROF MB-79N

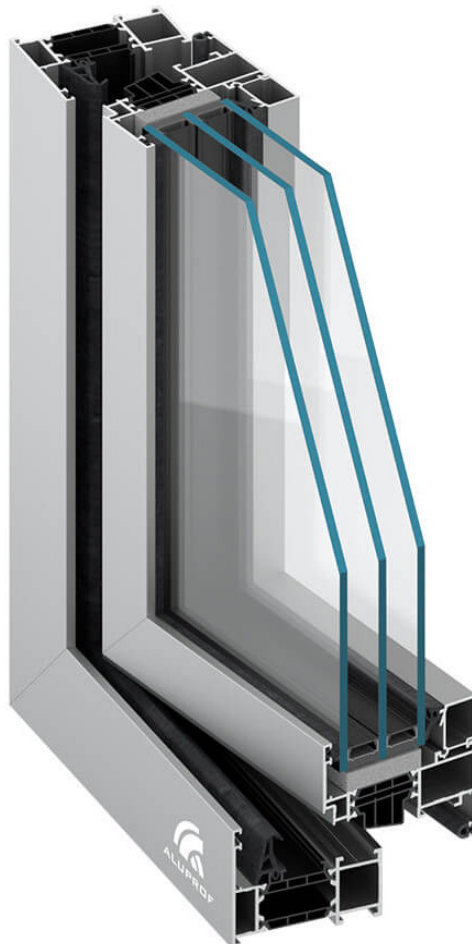
STOREFRONT & COMMERCIAL ENTRY

PERFORMANCE OPTIONS: E, ST, SI

ALUMINUM

ALUPROF MB-79N

ALUPROF: THE MB-79N IS A STATE-OF-THE ART AND ECONOMICAL ADDITION TO THE ALUPROF WINDOW & DOOR SYSTEMS. IT HAS BEEN DESIGNED TO OUTPERFORM TYPICAL THERMAL INSULATION REQUIREMENTS. THE MB-79N SERIES CAN BE USED TO FABRICATE FIXED, SIDE-HUNG, HOPPER, TILT-AND-TURN, AND HOPPER-AND-SLIDE WINDOWS, AS WELL AS SINGLE AND DOUBLE EXTERIOR DOORS, AND STOREFRONT SOLUTIONS COMPLETE WITH DOORS.



ALUPROF MB-79 BY AMBERLINE WINDOWS

1. ALUPROF PROFILES

Modern aluminium system intended for realizations of exterior architectural building elements requiring thermal and acoustic insulation

2. 79MM SASH FACE WIDTH STANDARD

Designed with a slim sash.

3. THERMAL BREAKS

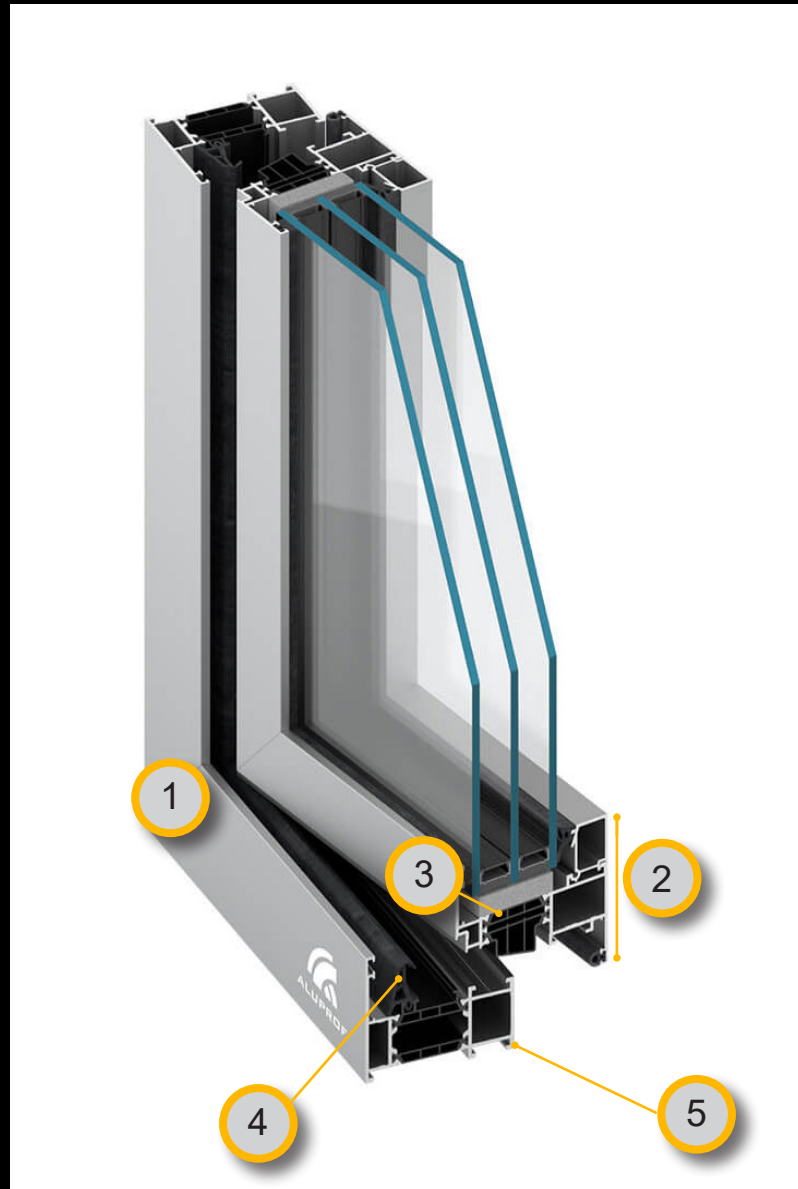
Class-leading thermal performance.

4. HEAT TRANSFER COEFFICIENT

The value of heat transfer coefficient for constructions of the MB-70 system - depending on the applied profiles and accessories – ranges between 0.23 and 0.39 BTU/(h·ft²·°F) – or 1.3 and 2.25 W/m²K.

5. SLENDER PROFILE

Depths of casement and frame sections give the effect of one surface from the exterior side after closing.



STOREFRONT ASSEMBLY

Optimal combinations of doors and fixed windows makes MB-79N an excellent choice for commercial and storefront assemblies.

WINKHAUS, WALA, WILKA AND MORE HARDWARE

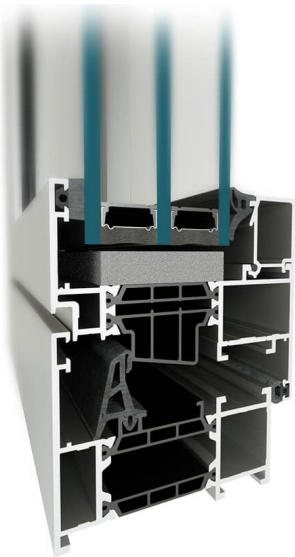
Leading German manufacturers of window and door hardware, Amberline windows are fitted with Winkhaus along with Aluprof operational hardware and handles.



PERFORMANCE OPTIONS

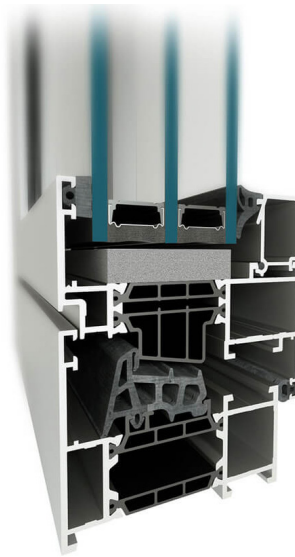
THERMAL VARIANTS OVERVIEW

ALL THERMAL VARIANTS MAINTAIN THE SAME EXTERIOR PROFILE, BUT ARE EQUIPPED WITH DIFFERENT INTERIOR INSULATIVE PROPERTIES.



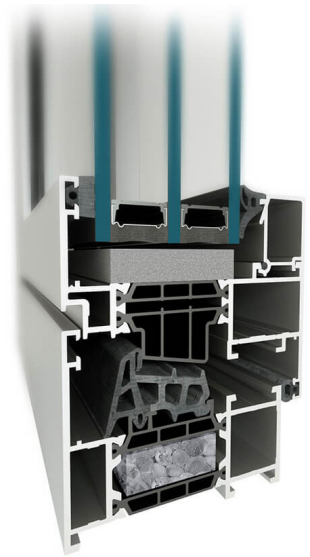
MB-79N E

MB-79 E is our economical version, which includes an one-component central seal.



MB-79N ST

MB-79N ST is our mid-range option that utilizes a two-component central seal.



MB-79N SI

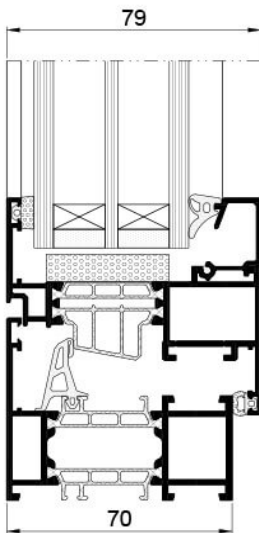
Lastly, is our highest performing thermal variant in MB-79N SI. This profile includes enhanced thermal insulation via profiles that are equipped with insulating inserts in addition to a two-component seal.

Please follow this link to MB-79N Window and Door video:

<https://www.youtube.com/watch?v=ku2FESn4ZEo>

PERFORMANCE OPTIONS

THERMAL VARIANTS PERFORMANCE

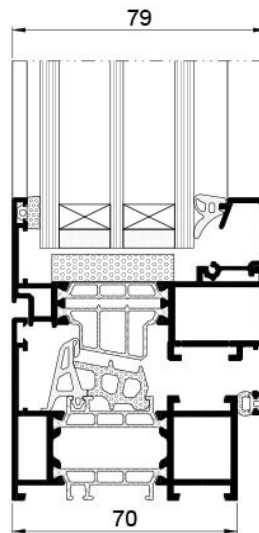


MB-79N E

Uf (frame) Frame + Sash:
1.9 [W/m²K] or
0.33 Btu (th)/hour/foot²/°F

U factor (Whole Window)
2.25 [W/m²K] or
0.39 Btu (th)/hour/foot²/°F

Glazing (Assumed Triple):
0.088 Btu (th)/hour/foot²/°F

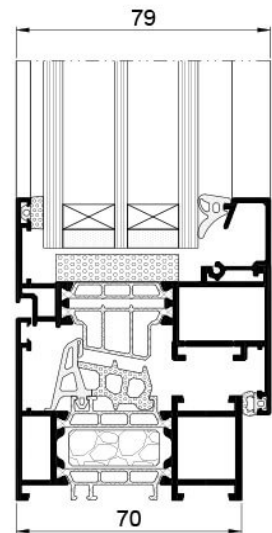


MB-79N ST

Uf (frame) Frame + Sash:
1.6 [W/m²K] or
0.28 Btu (th)/hour/foot²/°F

U factor (Whole Window)
1.5 [W/m²K] or
0.26 Btu (th)/hour/foot²/°F

Glazing (Assumed Triple):
0.088 Btu (th)/hour/foot²/°F



MB-79N SI

Uf (frame) Frame + Sash:
1.2 [W/m²K] or
0.21 Btu (th)/hour/foot²/°F

U factor (Whole Window)
1.3 [W/m²K] or
0.23 Btu (th)/hour/foot²/°F

Glazing (Assumed Triple):
0.088 Btu (th)/hour/foot²/°F

NOTE: THE DOOR VALUES ARE SIMILAR TO THIS, BUT SLIGHTLY LESS PERFORMANCE BECAUSE OF THRESHOLDS, FACADES, AND INTERIOR GLASS CONSTRUCTIONS MARKETS.

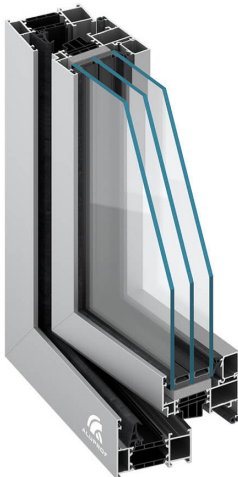
FUNCTION

FEATURES OF MB-79N

- WIDE RANGE OF FIXED GLAZING AND ENTRY DOOR CONFIGURATIONS
- TOUCH AND PANIC EXIT DEVICES
- STANDARD (EUROPEAN STYLE) AND ADA THRESHOLD OPTIONS
- ADA THRESHOLD - BRUSH OR DROP-DOWN THRESHOLD
- STANDARD CONCEALED AND SURFACE MOUNTED CLOSER OPTIONS
- SINGLE ACTION – IN OR OUTSWING
- INTEGRATED ELECTRIC STRIKE
- PULL HANDLES: WIDE RANGE OF STYLES AND FINISHES

RANGE OF OPERABLE WINDOW AND DOOR STYLES

DUAL FUNCTION TILT/TURN | TOP HUNG AWNING | TILT ONLY
HOPPER | ALU PANEL DOOR | GLASS PANEL DOOR | CORNER DOOR



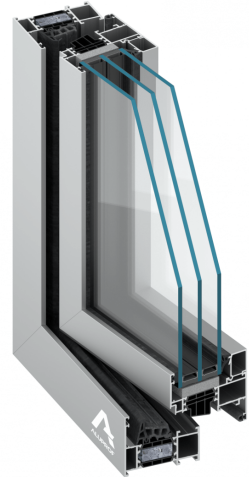
WINDOW

MB-79N E



WINDOW

MB-79N ST



WINDOW

MB-79N SI

ALL ASSEMBLIES AVAILABLE AS DOORS AND FIXED WINDOWS FOR COMMERCIAL STOREFRONT.

DESIGN

FEATURES OF MB-79N

- WIDE RANGE OF FIXED GLAZING AND ENTRY DOOR SIZES CONFIGURATIONS
- DEPTH OF FRAME (DOOR AND WINDOW) 70MM (2.86")
- STANDARD CONCEALED AND SURFACE-MOUNTED CLOSERS
- WIDE RANGE OF SASH AND FRAME WIDTHS
- FULL RANGE OF ADECO PANELS: FLUSH BOTH SIDE, INFILL ALU PANEL, SEMI FLUSH
- POWDER COATING FINISH OPTIONS: SEASIDE, AMAA #2604, #2605 W/ SPLIT FINISH
- GLASS COATINGS: SPANDREL, FROSTED, CLEAR
- FRAMES BUILT IN FACTORY

LARGE SIZES AVAILABLE FOR DOORS AND FIXED GLAZING (MAXIMUMS)

OPERABLE WINDOW H 10'6" X W 5' | ENTRY DOOR H 10'6" X W 4' 3"
WEIGHT (DOOR/OPERABLE WINDOW) 286 LBS



DOOR

MB-79N ST



DOOR

MB-79N SI



DOOR

MB-79N SI+

ALL ASSEMBLIES AVAILABLE AS DOORS AND FIXED WINDOWS FOR COMMERCIAL STOREFRONT.

ALUPROF MB-79N

**HARDWARE AND
SPECIFICATIONS**

GLAZING

SPECS FOR MB-79N

PRESSGLASS PROVIDES
AMBERLINE WITH GLAZING
SOLUTIONS THAT ARE
IGCC AND ANSI CERTIFIED.
MANUFACTURED IN HOUSE,
PRESSGLASS SERVES THE
WINDOWS + DOORS,
FACADES, AND INTERIOR GLASS
CONSTRUCTIONS MARKETS.

Double Or Triple Glazing

Triple Glazing is an option for this frame depth making it suitable for Passive House in colder Northeast conditions.

Standard SHGC Range

This Range includes 25/35/45/55

Acoustics

Standard 31 STC double and triple IGU

Higher acoustic assemblies can be tailored to specific project needs

Spacers

Standard warm edge 16mm spacers for double-glazing. Triple-glazing available using 14-18mm spacers.

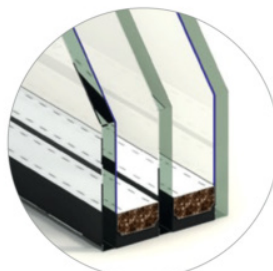
Glazing Options

Laminate, heat-soaked, tempered (ESG)

*Inquire for project specific assemblies



2GU



3GU



All of the IGUs listed below fit into any MB79-N system. This system is could be met with a 24mm-double-glazed IGU, but it can also fit a 40mm-triple-glazed IGU that meets passive house requirements in colder climates.

DOUBLE-GLAZED GLASS | SPACER | GLASS

	IGU (mm)	Thick-ness	Spacer	Psi Spacer (W/mK)	Ug	SHGC	Vt	STC	OITC
STANDARD 1.1 THERMOFLOAT	4 18 4	26mm 1"	Chromatech Ultra F	0.048	1.1	61%	82%	31	23
STANDARD 1.0 THERMOFLOAT	4 18 4	26mm 1"	Chromatech Ultra F	0.048	1.0	-	-	31	23
COMBI NEUTRAL 70/35	4 18 4	26mm 1"	Chromatech Ultra F	0.048	1.0	34%	71%	31	23
COMBI NEUTRAL 61/32	4 18 4	26mm 1"	Chromatech Ultra F	0.048	1.0	31%	62%	31	23

TRIPLE-GLAZED GLASS | SPACER | GLASS | SPACER | GLASS

	IGU (mm)	Thick-ness	Spacer	Psi Spacer (W/mK)	Ug	SHGC	Vt	STC	OITC
STANDARD 1.1 THERMOFLOAT	4 18 4 18 4	48mm 1-7/8"	Chromatech Ultra F	0.043	0.5	53%	74%	33	25
STANDARD 1.0 THERMOFLOAT	4 18 4 18 4	48mm 1-7/8"	Chromatech Ultra F	0.043	0.5	-	-	33	25
COMBI NEUTRAL 70/35	4 18 4 18 4	48mm 1-7/8"	Chromatech Ultra F	0.043	0.5	35%	64%	33	25
COMBI NEUTRAL 61/32	4 18 4 18 4	48mm 1-7/8"	Chromatech Ultra F	0.043	0.5	31%	56%	33	25

SIZING

The **maximum** dimension for an IGU is 10.5' x 22.5' (3200mm x 7000mm)

The **minimum** dimension available is 7" x 13.75" (180mm x 350mm)

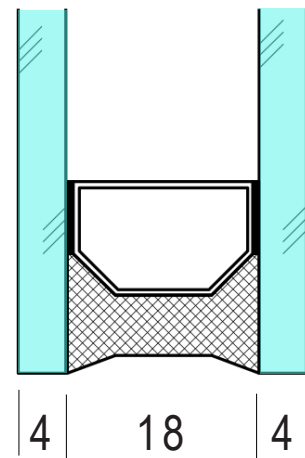
GLAZING OPTIONS

STANDARD

At Amberline, we start with our standard glass solutions and then we have four additional levels of enhanced acoustical offerings. While these are the most typical and cost-effective options, we can also provide custom solutions upon request.

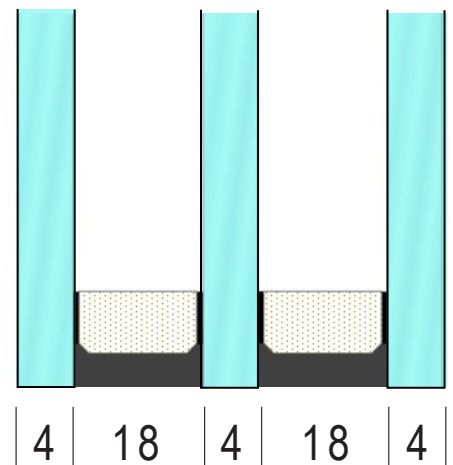
2-PANE IGU ACOUSTIC ENHANCEMENTS

STANDARD	STC: 33 OITC: 27
UPGRADE	STC: 38 OITC: 30
PLUS	STC: 40 OITC: 33
ADVANCED	STC: 44 OITC: 36
MAXIMUM	STC: 48 OITC: 38



3-PANE IGU ACOUSTIC ENHANCEMENTS

STANDARD	STC: 33 OITC: 27
UPGRADE	STC: 36 OITC: 33
PLUS	STC: 40 OITC: 35
ADVANCED	STC: 44 OITC: 36
MAXIMUM	STC: 47 OITC: 38



PLEASE CONTACT US FOR CUSTOM GLAZING REQUIREMENTS

FRAME COLORS

ALUPROF MB-79N

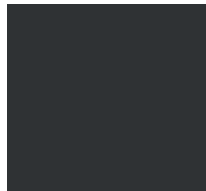
STANDARD MATTE COLORS (POWDER COATING)

ANTHRACITE
GREY



RAL 7016

BLACK
GREY



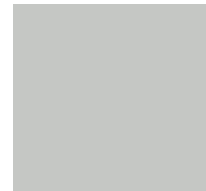
RAL 7021

GRAPHITE
GREY



RAL 7024

LIGHT
GREY



RAL 7035

TRAFFIC
GREY B



RAL 7043

GREY
BROWN



RAL 8019

JET
BLACK



RAL 9005

WHITE
ALUMINUM



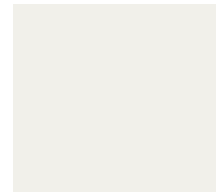
RAL 9006

GREY
ALUMINUM



RAL 9007

TRAFFIC
WHITE



RAL 9016

Standard colors help save on costs and maintain lead times. Non-standard colors are an upgrade and may cause longer lead times.

FRAME FINISHES

ALUPROF MB-79N

AMBERLINE CAN ALSO SUPPLY A VARIETY OF DIFFERENT FINISH OPTIONS TO CATER TO DIFFERENT STYLES OR ENVIRONMENTAL NEEDS.

MATTE FINISH

STANDARD POWDER COAT FINISH

MATTE SEASIDE

SUITABLE FOR HIGH SALT CONTENT COASTAL AREAS IN ADDITION TO HIGH HUMIDITY INTERIOR CONDITIONS

MATTE SEASIDE + EPOXY

EPOXY PRIMER BINDS TO TOP LAYER OF POWDER COATING CREATING AN EVEN MORE DURABLE FINISH THAN SEASIDE ALONE CONDITIONS

NOTE: ADDITIONAL RAL COLORS CAN BE REQUESTED OUTSIDE OF THIS LIST, BUT PRICING AND SELECTION WILL DEPEND ON MARKET AVAILABILITY.



PLEASE CONTACT US FOR MORE INFORMATION

LEVERS

OPTIONS FOR MB-79N

AMBERLINE'S BASE LEVER IS ALUPROF FKS



FKS 35A

THIS LEVER IS OUR TYPICAL ALUMINUM DOOR LEVER. THERE IS A MATCHING FKS HANDLE THAT CAN PROVIDE TILT BEFORE TURN FUNCTION IN WINDOWS TO CREATE A UNIFORM LOOK.

UPGRADE LEVER OPTIONS

CLASSIC

STYLE

STANDARD

WINDOWS



DOORS



COLORS

STAINLESS STEEL

WHITE

ANTHRACITE

BLACK

PLEASE CONTACT US FOR A FULL LIST OF OPTIONS

COMMERCIAL HARDWARE

OPTIONS FOR MB-79N

PULL HANDLES



PULL HANDLE - P45
STANDARD L 1600
BY: WALA

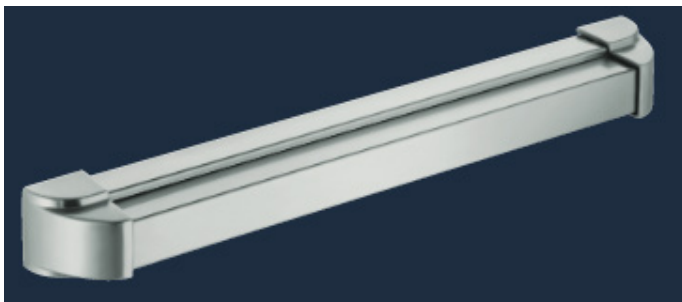
PULL HANDLE - P10 (PANELS)
STANDARD L 1600
BY: WALA

HINGES (BARREL/WINGED)



HINGES
ROLLER OR MX/WX
BY: WALA

TOUCH BARS



TOUCH BARS - EPN 2000 II
BY: ECO SHULTE

ELECTRIC STRIKE

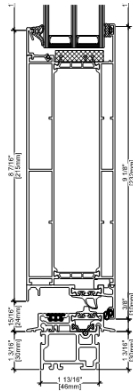


MODEL SERIES 118
BY: EFFEF ASSA ABLOY

COMMERCIAL HARDWARE

OPTIONS FOR MB-79

BOTTOM RAIL/KICK PLATES



RAISED BOTTOM RAIL/KICK PLATE
WORKS WITH STANDARD OR ADA
THRESHOLD
BY: AMBERLINE

DOOR CLOSERS



SURFACE DOOR CLOSER - TS93
OPTIONAL: CONCEALED
BY: DORMA

SINGLE LATCH



ROLLER LATCH
WITH MORTISE LOCK
BY: WINKHAUS

MULTIPOINT LOCKING

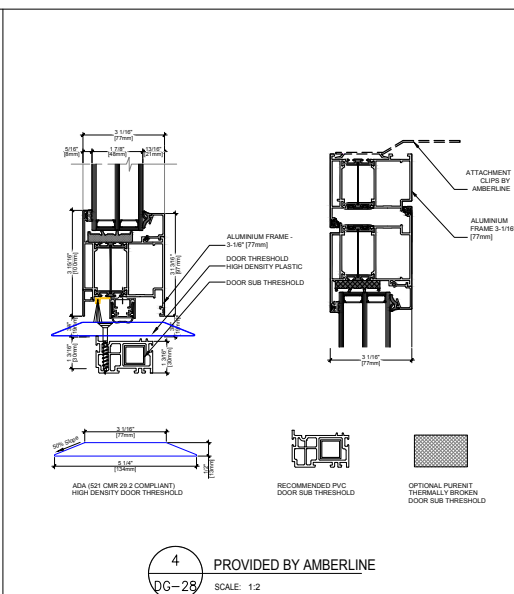
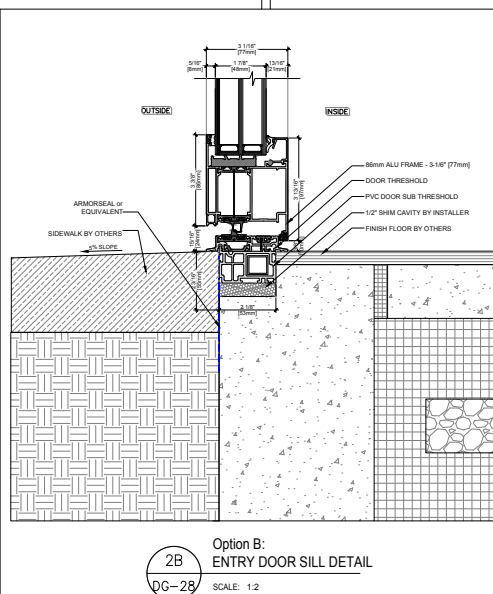
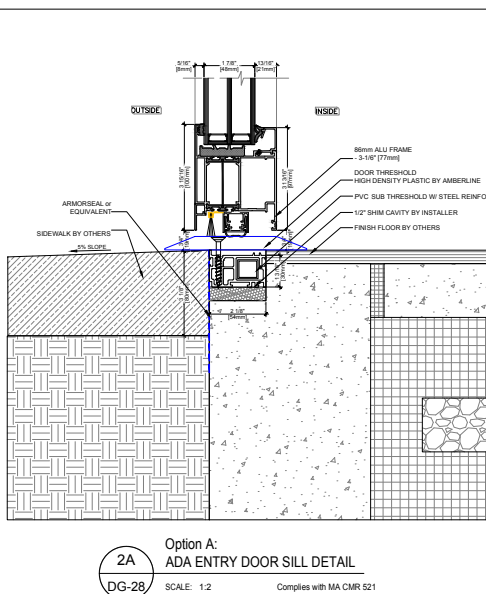
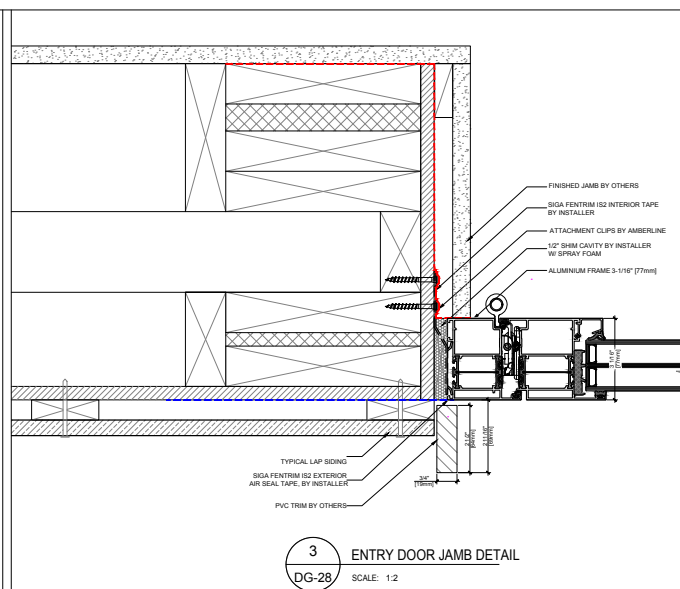
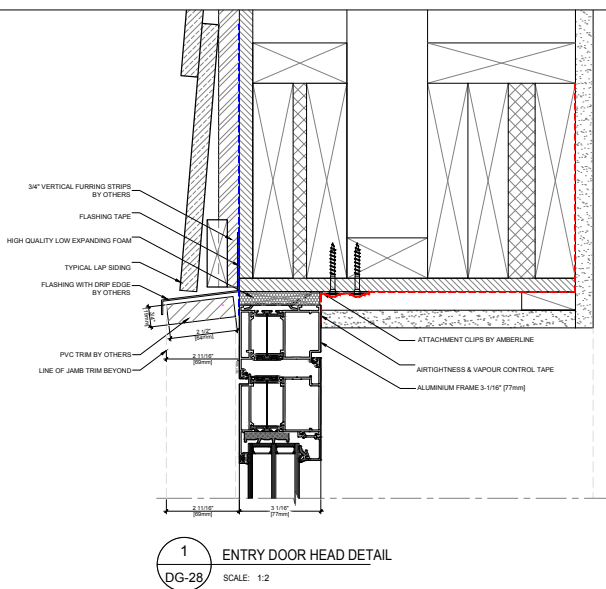


3-POINT LOCKING (DUAL HOOK)
WITH ANTI-PANIC OPTION
BY: WINKHAUS

ADA THRESHOLD

OPTIONS FOR MB-79

THERMALLY BROKEN ADA THRESHOLD BY AMBERLINE



OPTIONS: DOUBLE-BRUSH OR DROP-DOWN GASKET SEAL (SEE PAGE 29)

A M B E R L I N E

MB-79N

PERFORMANCE SPECIFICATIONS

- DEEP POLYAMIDE THERMAL BREAK PROVIDES EXCEPTIONAL THERMAL PERFORMANCE
- UW (U-FACTOR) RANGE ENTRY DOORS: 0.23 - 0.39 BTU/HOUR/FOOT²/°F
- POWDER COATING FINISH OPTIONS: SEASIDE, AAMA #2604, #2605 W/ SPLIT FINISH OPTIONS
- EXTREMELY AIR AND WATERTIGHT COMPARED COMMON US STOREFRONT
- 2-3 LAYERS OF EXTRUDED EPDM GASKETS

FIXED WINDOW TESTS	RATING/RESULTS
PRIMARY PRODUCT DESIGNATOR AAMA/WDMA/CSA 101/I.S.2/A440-11	CLASS AW-PG60: SIZE TESTED 1524X2515MM (60X99IN) - TYPE FW
DESIGN PRESSURE	±2880 PA (±60.15 PSF)
AIR INFILTRATION	0.1 L/S/M ² (0.02 CFM/FT ²) BEFORE THERMAL CYCLES AND AFTER DESIGN LOAD
CANADIAN AIR INFILTRATION/EXFILTRATION	FIXED LEVEL
WATER PENETRATION RESISTANCE TEST PRESSURE	720 PA (15.04PSF) BEFORE THERMAL CYCLES AND AFTER DESIGN LOAD
UNIFORM LOAD STRUCTURAL TEST PRESSURE	±4320 PA (±690.23 PSF)
FORCED ENTRY RESISTANCE	ASTM F588-07 - GRADE 10 PASS

ENTRY DOOR THRESHOLD TEST	RATING/RESULTS
PRIMARY PRODUCT DESIGNATOR AAMA/WDMA?CSA 101/I.S.2/A440-11	CLASS AW-PG60: SIZE TESTED 1219x2515MM (48x99IN) - TYPE SHD
DESIGN PRESSURE	±2880 PA (±60.15 PSF)
AIR INFILTRATION	0.2 L/S/M ² (0.03 CFM/FT ²) BEFORE/AFTER THERMAL CYCLES AND AFTER DESIGN LOAD
CANADIAN AIR INFILTRATION/EXFILTRATION	A3 LEVEL
WATER PENETRATION RESISTANCE TEST PRESSURE	720 PA (15.04PSF) BEFORE/AFTER THERMAL CYCLES AND AFTER DESIGN LOAD
UNIFORM LOAD STRUCTURAL TEST PRESSURE	±4320 PA (±690.23 PSF)
FORCED ENTRY RESISTANCE	AAMA 1304-02 - PASS

GLAZING

| ACOUSTICS: 33 STC / 25 OTIC – 52 STC / 46 |

| SPACERS: STANDARD WARM EDGE - SIZES 12,14,16,18MM |

| DOUBLE OR TRIPLE GLAZING | SHGC: 20-55 |

DUAL ACTION WINDOW TEST	RATING/RESULTS
PRIMARY PRODUCT DESIGNATOR AAMA/WDMA?CSA 101/I.S.2/A440-11	CLASS AW-PG60: SIZE TESTED 1524x2515MM (60x99IN) - TYPE DAW
DESIGN PRESSURE	±2880 PA (±60.15 PSF)
AIR INFILTRATION	0.1 L/S/M ² (0.02 CFM/FT ²) BEFORE/AFTER THERMAL CYCLES AND AFTER DESIGN LOAD
CANADIAN AIR INFILTRATION/EXFILTRATION	A3 LEVEL
WATER PENETRATION RESISTANCE TEST PRESSURE	720 PA (15.04PSF) BEFORE/AFTER THERMAL CYCLES AND AFTER DESIGN LOAD
UNIFORM LOAD STRUCTURAL TEST PRESSURE	±4320 PA (±690.23 PSF)
FORCED ENTRY RESISTANCE	ASTM F588-07 - GRADE 10 PASS

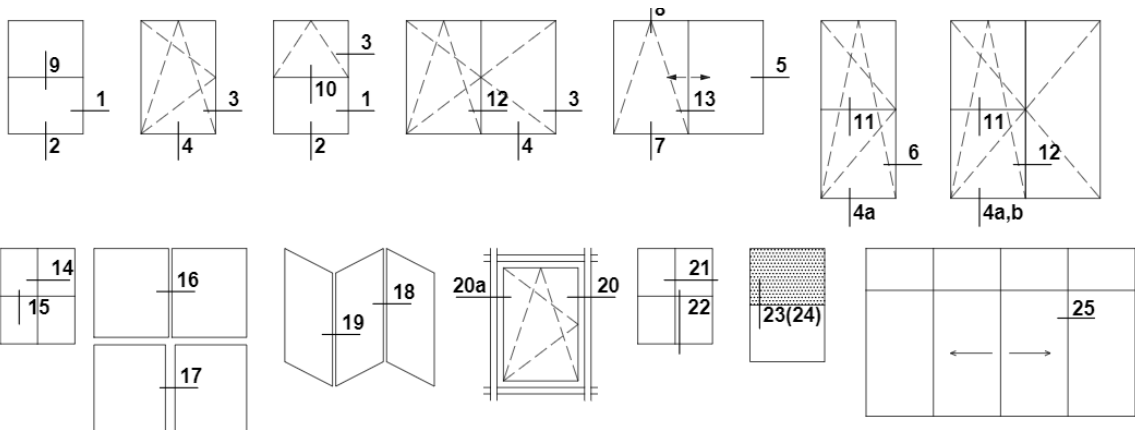
ALUPROF MB-79N

**ASSEMBLIES AND
COMPONENTS**

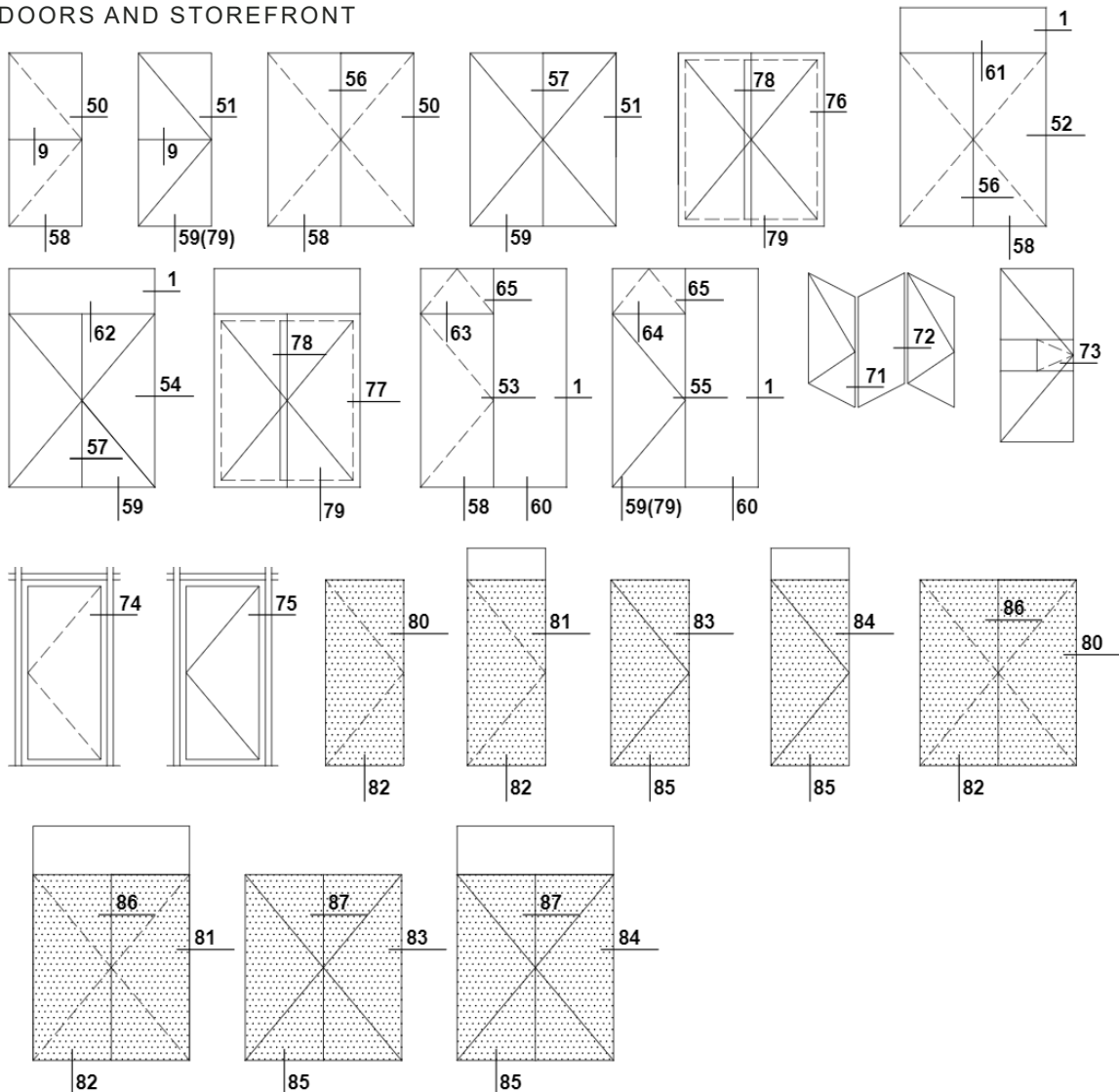
DETAILS AND DRAWINGS

CONFIGURATIONS

WINDOWS



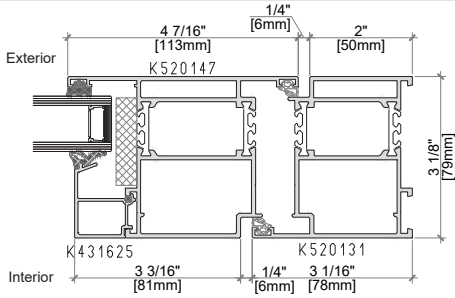
DOORS AND STOREFRONT



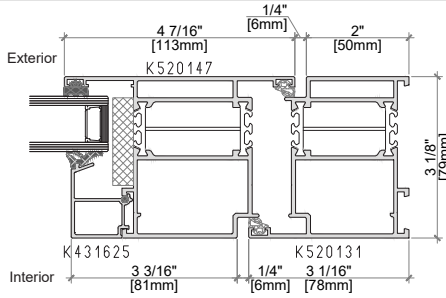
WE HAVE COUNTLESS CONFIGURATIONS (ONLY SOME DEPICTED HERE).

DETAILS AND DRAWINGS

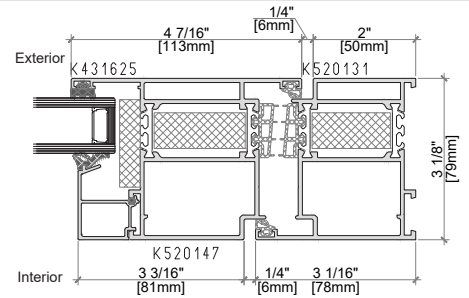
ALUPROF MB-79N RESIDENTIAL ENTRY DOOR



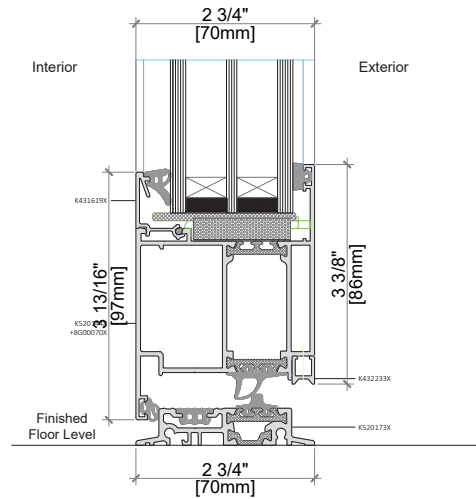
Jamb Detail - MB-79N E



Jamb Detail - MB-79N ST

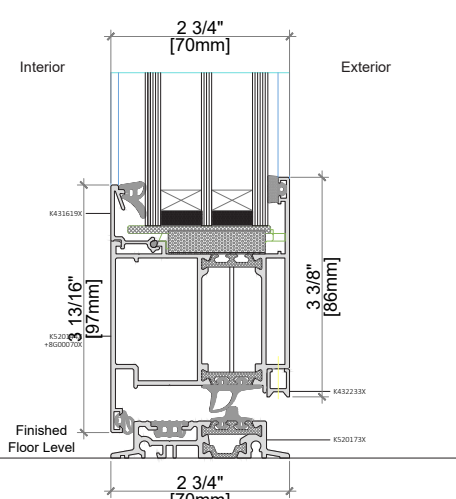


Jamb Detail - MB-79N SI



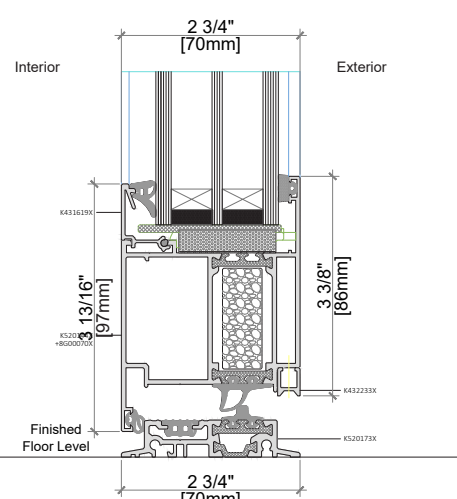
Standard Threshold Detail

MB-79N E
PROFILE: K520144X
THERMAL INSULATION; LOW



Standard Threshold Detail

MB-79N ST
PROFILE: K520144X
THERMAL INSULATION; MEDIUM



Standard Threshold Detail

MB-79N SI+
PROFILE: K520144X
THERMAL INSULATION; HIGH

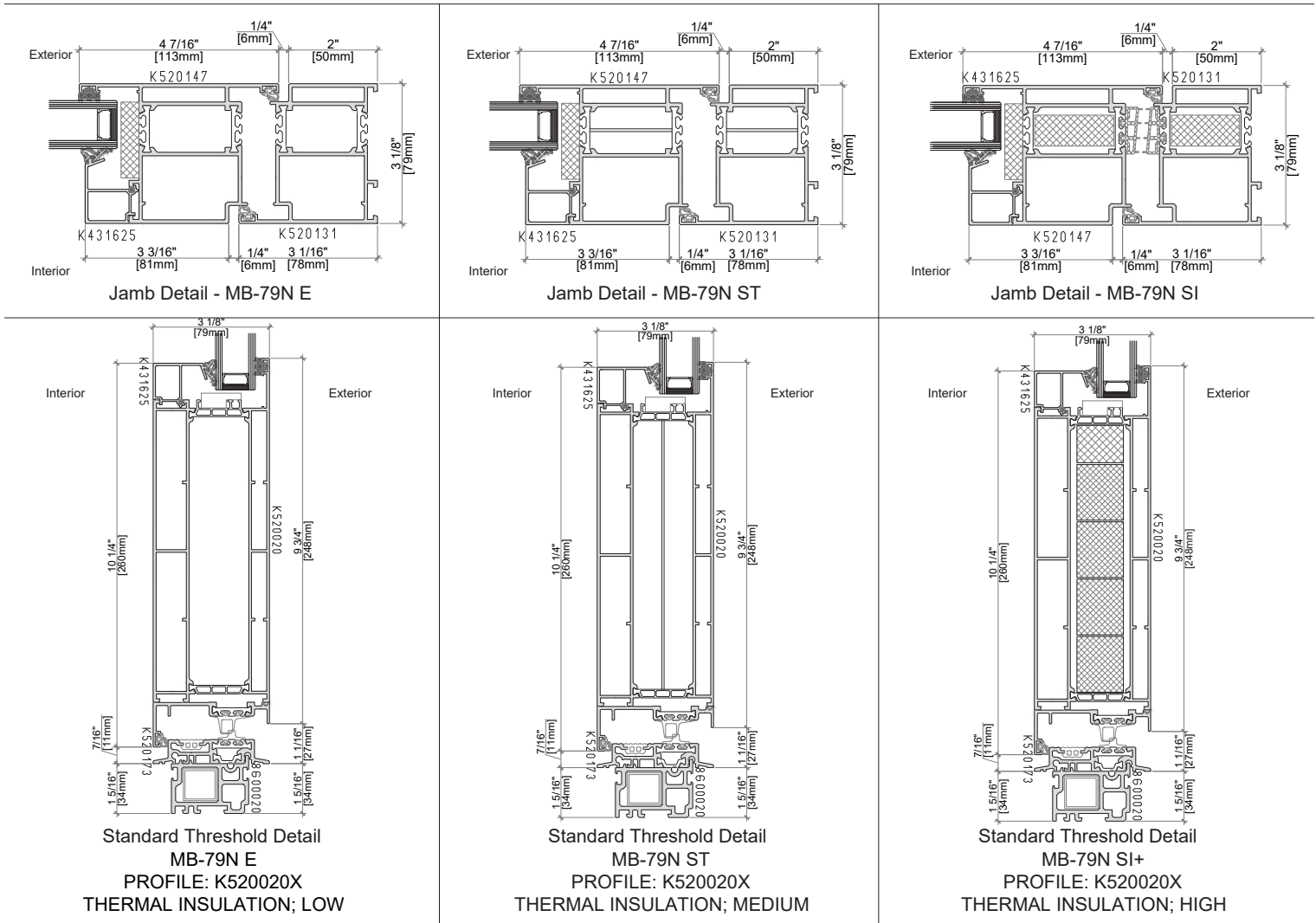
Head, Jamb, and Sill

Aluprof MB-79N in inches and millimeters

Double and Triple-pane available. Outswing and Inswing available.

DETAILS AND DRAWINGS

ALUPROF MB-79N COMMERCIAL ENTRY STANDARD DOOR



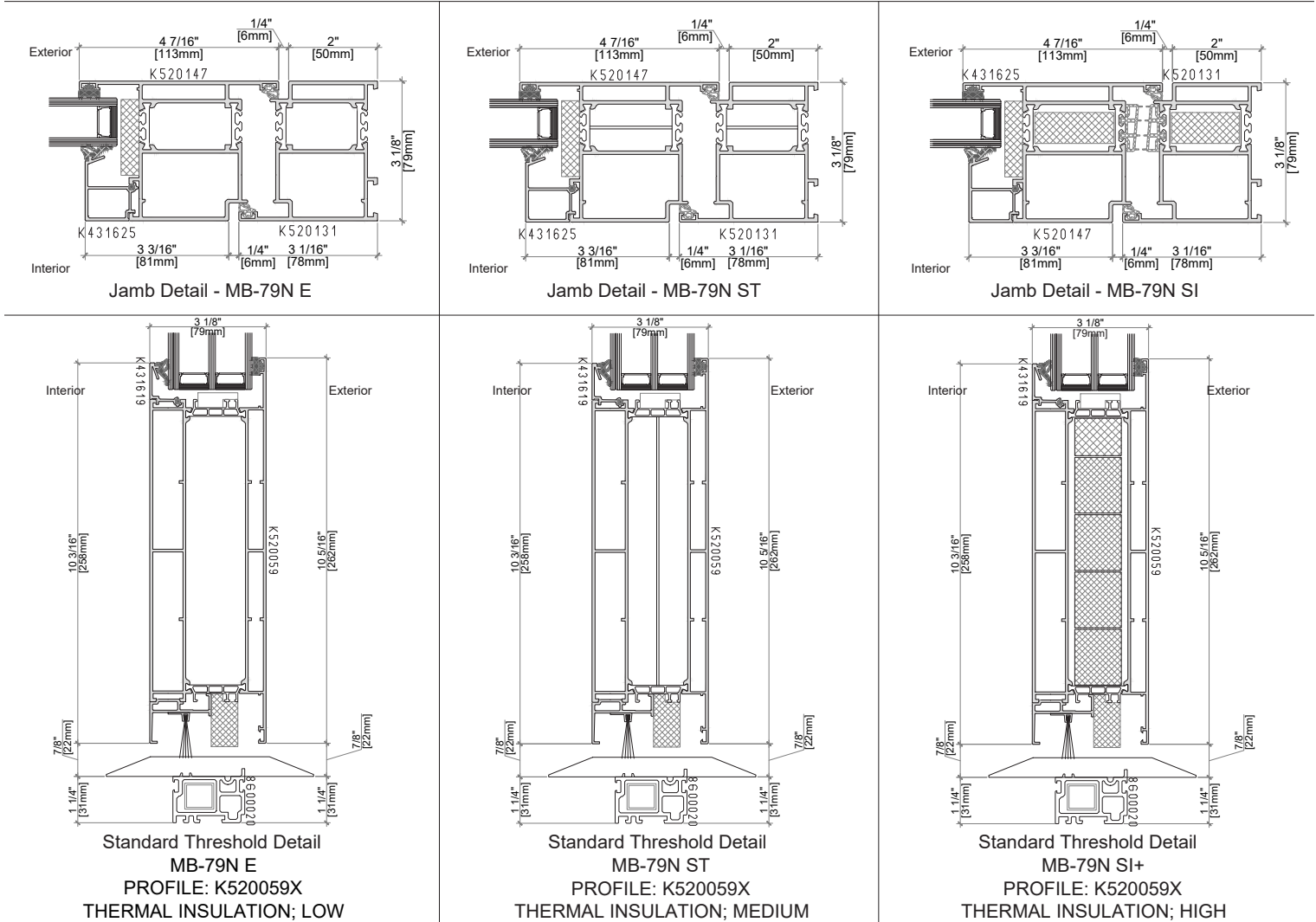
Head, Jamb, and Sill with Subthreshold

Aluprof MB-79N in inches and millimeters

Double and Triple-pane available. Outswing and Inswing available.

DETAILS AND DRAWINGS

ALUPROF MB-79N COMMERCIAL ENTRY ADA DOOR



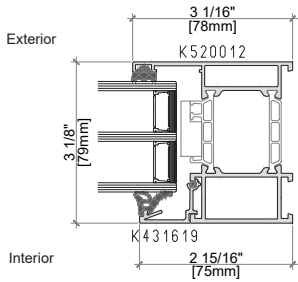
Head, Jamb, and Sill with Subthreshold

Aluprof MB-79N in inches and millimeters with subsill

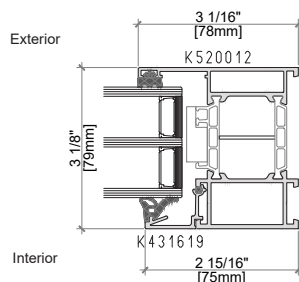
Double and Triple-pane available. Outswing and Inswing available.

DETAILS AND DRAWINGS

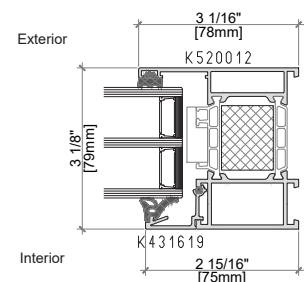
ALUPROF MB-79N FIXED WINDOW



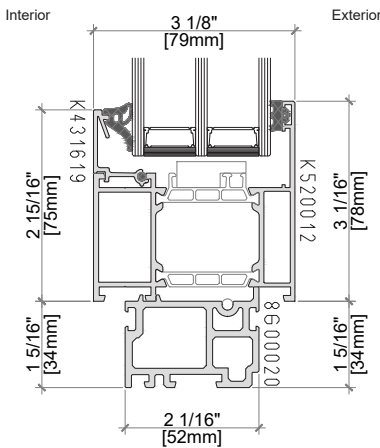
Jamb Detail - MB-79N E



Jamb Detail - MB-79N ST

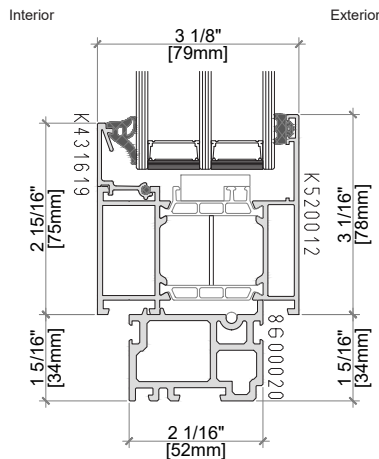


Jamb Detail - MB-79N SI



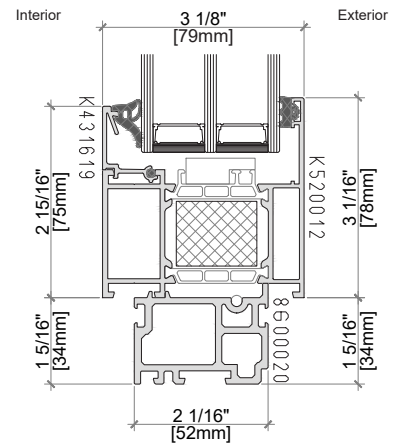
Fixed Window -
Standard Threshold Detail

MB-79N E
PROFILE: K520012X
THERMAL INSULATION; LOW



Fixed Window -
Standard Threshold Detail

MB-79N ST
PROFILE: K520012X
THERMAL INSULATION; MEDIUM



Fixed Window -
Standard Threshold Detail

MB-79N SI+
PROFILE: K520012X
THERMAL INSULATION; HIGH

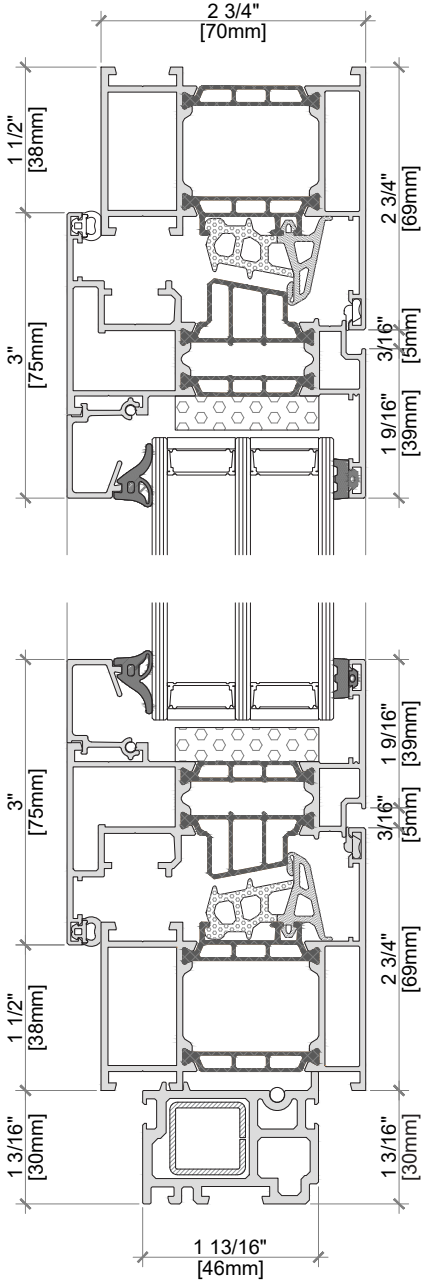
Head, Jamb, and Sill with Subsill

Aluprof MB-79N in inches and millimeters with subsill

Double and Triple-pane available

DETAILS AND DRAWINGS

ALUPROF MB-79N ST OPERABLE WINDOW



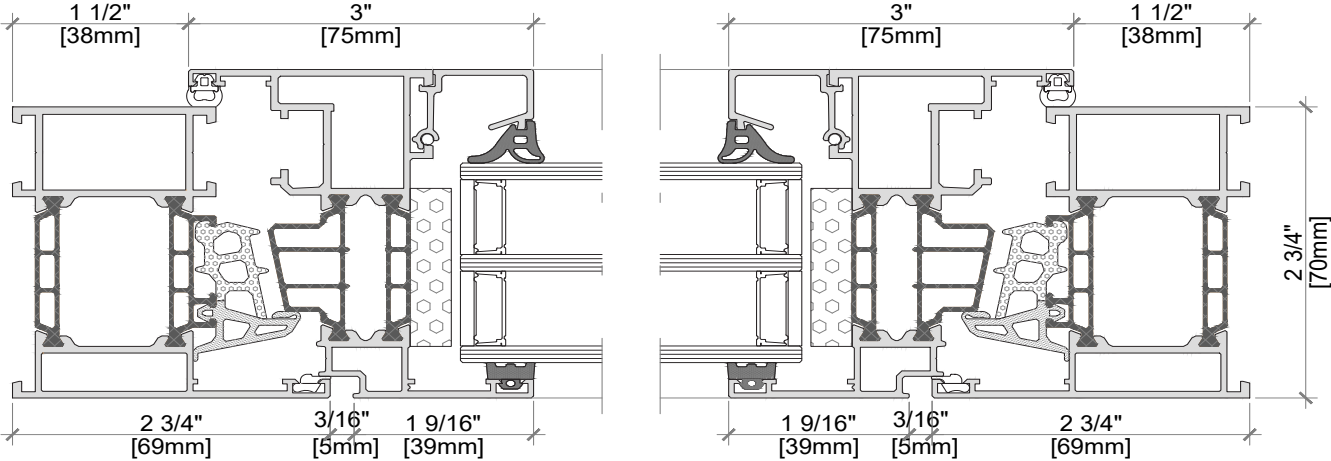
Head and Sill Section

Aluprof MB-79N ST in inches and millimeters with subsill

Double and Triple-pane available

DETAILS AND DRAWINGS

ALUPROF MB-79N ST OPERABLE PROFILE



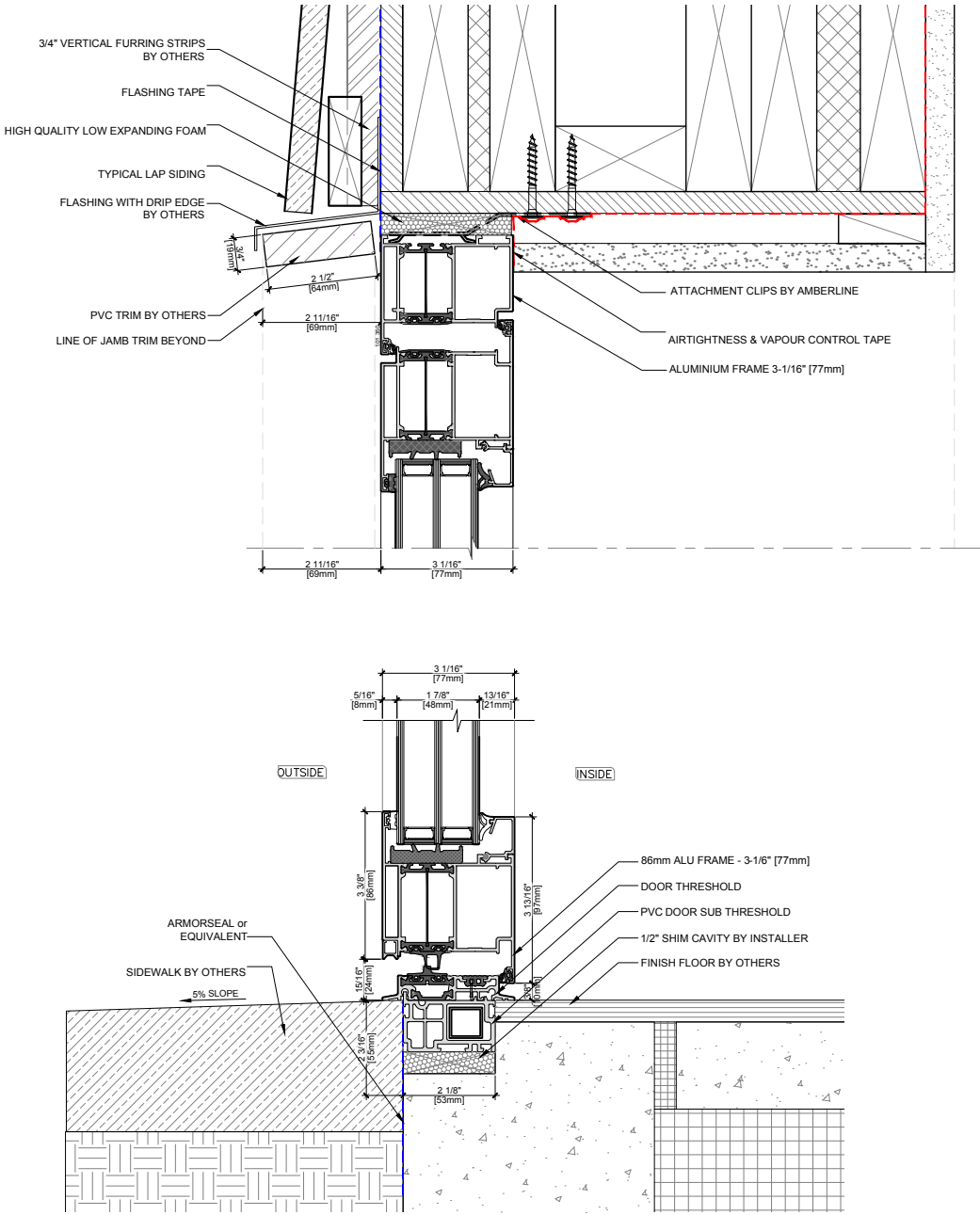
Jamb Section

Aluprof MB-79N ST in inches and millimeters

Double and Triple-pane available

DETAILS AND DRAWINGS

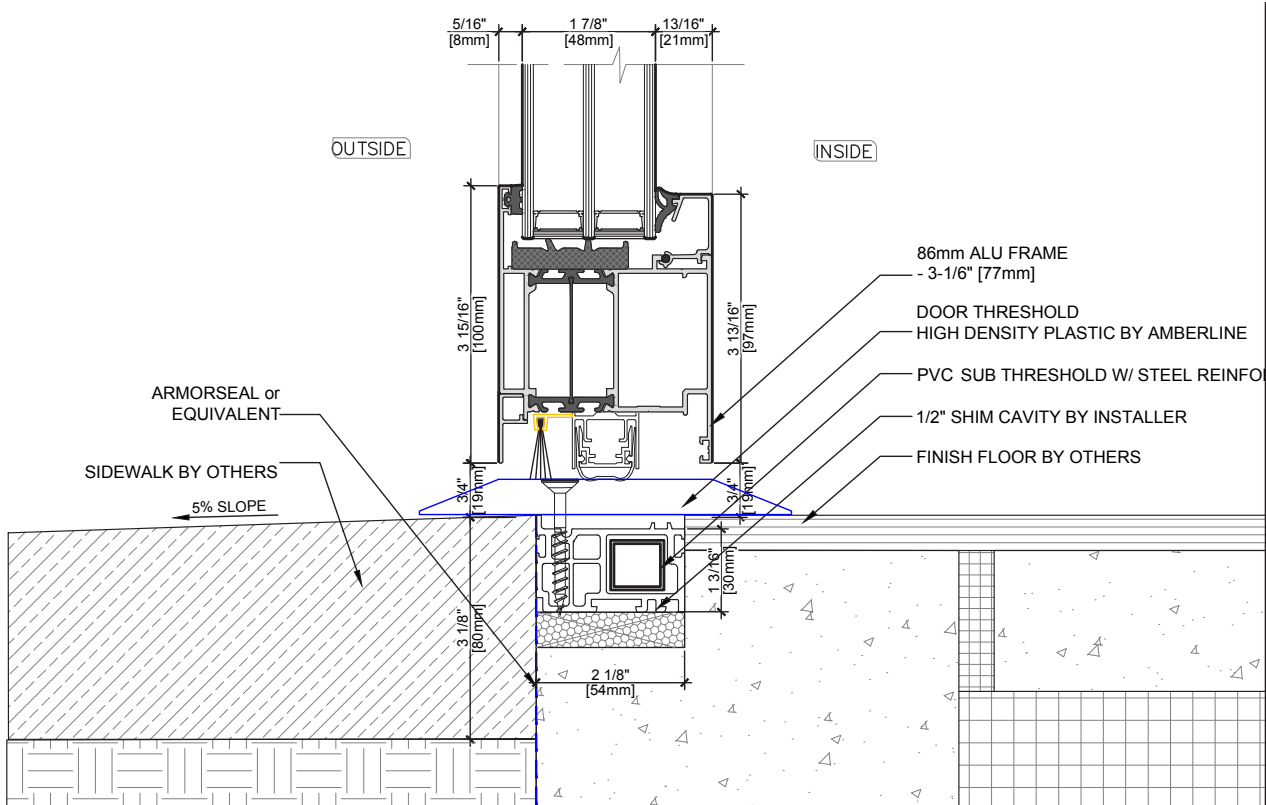
EXAMPLE DOOR THRESHOLD AND INSTALL



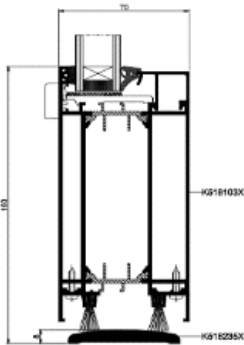
PLEASE CONTACT US FOR PROJECT SPECIFIC DETAILS.

DETAILS AND DRAWINGS

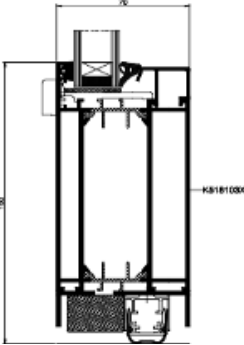
EXAMPLE ADA DOOR THRESHOLD AND INSTALL



OTHER THRESHOLD OPTIONS



DOUBLE-BRUSH



DROP-DOWN

PLEASE CONTACT US FOR PROJECT SPECIFIC DETAILS.

A M B E **R** L I N E

HIGH PERFORMANCE WINDOWS AND DOORS

CONTACT

James@amberlinewindows.us

VISIT

amberlinewindows.us

LINKEDIN

[Amberline](#)

INSTAGRAM

[@amberline_us](#)

Follow Us!

Amberline Northeast is working hard to create an engaging user experience through a variety of platforms including our website, LinkedIn, and Instagram.