

# ALUPROF 79mm Product Guide

Alu79; Table of Contents

Door Anatomy	1
Thermally Insulated Standard Door Profile Options	2
Standard Door Threshold Options	3
Thermally Insulated Commercial Door Profile Options with Standard Threshold	4
Thermally Insulated Commercial Door Profile Options with ADA Threshold	5
Threshold Options	6
Door Operable Clear Opening	7
Window Anatomy	8
Thermally Insulated Operable Window Profile Options	9
Thermally Insulated Fixed Window Profile Options	10
Operable Window Profiles	11
Fixed Window Profiles	12
Window Operable Clearance Area	13
Glazing Options for Windows & Doors	14
Standard Door Hardware Configurations	15
Typical Door Configurations	22

## INTRODUCTION:

Our services and products are optimized for mid-size, Passive House, and high-performance commercial building projects. To utilize our windows to their fullest potential, we have included some typical installation guidelines. We support customers to use this information under the control of the project architect and in juxtaposition with regional code requirements. While we offer certain recommendations throughout this guide, it is the sole responsibility of the architect to provide or approve installation details for the contractor to use in construction.

## PROPER INSTALLATION, CARE, MAINTENANCE & CLEANING:

From Our Warranty: Windows and Doors installed by the purchaser must be installed following the manufacturer's guidelines and prior to the start of installation there is a required Amberline LLC installation training/review with the installer/subcontractor. Purchaser must also obtain an inspection and certification issued by Amberline LLC, prior to closing walls, to ensure the product is installed correctly. It is important that the purchaser follow all routine care, maintenance, and cleaning instructions for the Amberline Windows and Doors. Failure to comply with all the above proper installation, care, maintenance, and cleaning may limit your coverage under the warranty. (Please see Full Warranty in the Downloads section of our website).

## INSTALLATION GUIDE:

This package is to be used as a guide to assist architects in the detailing of window or door installation. It includes a series of different installation scenarios and takes into consideration construction type, unit position in wall, insulation type, undersill type, and cladding. These details are not project-specific and should only be used as a design reference. Some other considerations that are highlighted in this package are as follows:

- Drainage Plane: How the unit is working with the WRB (water-resistive barrier)
- Rough Openings: Proper sizing of the rough openings along with appropriate shim cavity
- Taping: Interior and Exterior taping recommendations as it pertains to the position of the unit in the wall or floor

### Accessory Drawings

- Shimming and Anchoring: correct placement of anchor straps and plastic shims
- Exterior Sills: appropriate placement of optional exterior sills to allow drainage from weepholes within window frames

## NOTES & CONTACT INFO:

These drawings are only examples of commonly used details that can be used for planning purposes only. These drawings are to be used only with Amberline products and they represent best practices for window and door installations. For most projects using Amberline, we will provide project-specific drawings in collaboration with the project design team.

Two-dimensional drawings are only representations of three-dimensional installations so certain aspects of these drawings are incorporated to provide clarity. Please contact us regarding any questions or for technical assistance | [James@amberlinewindows.us](mailto:James@amberlinewindows.us)

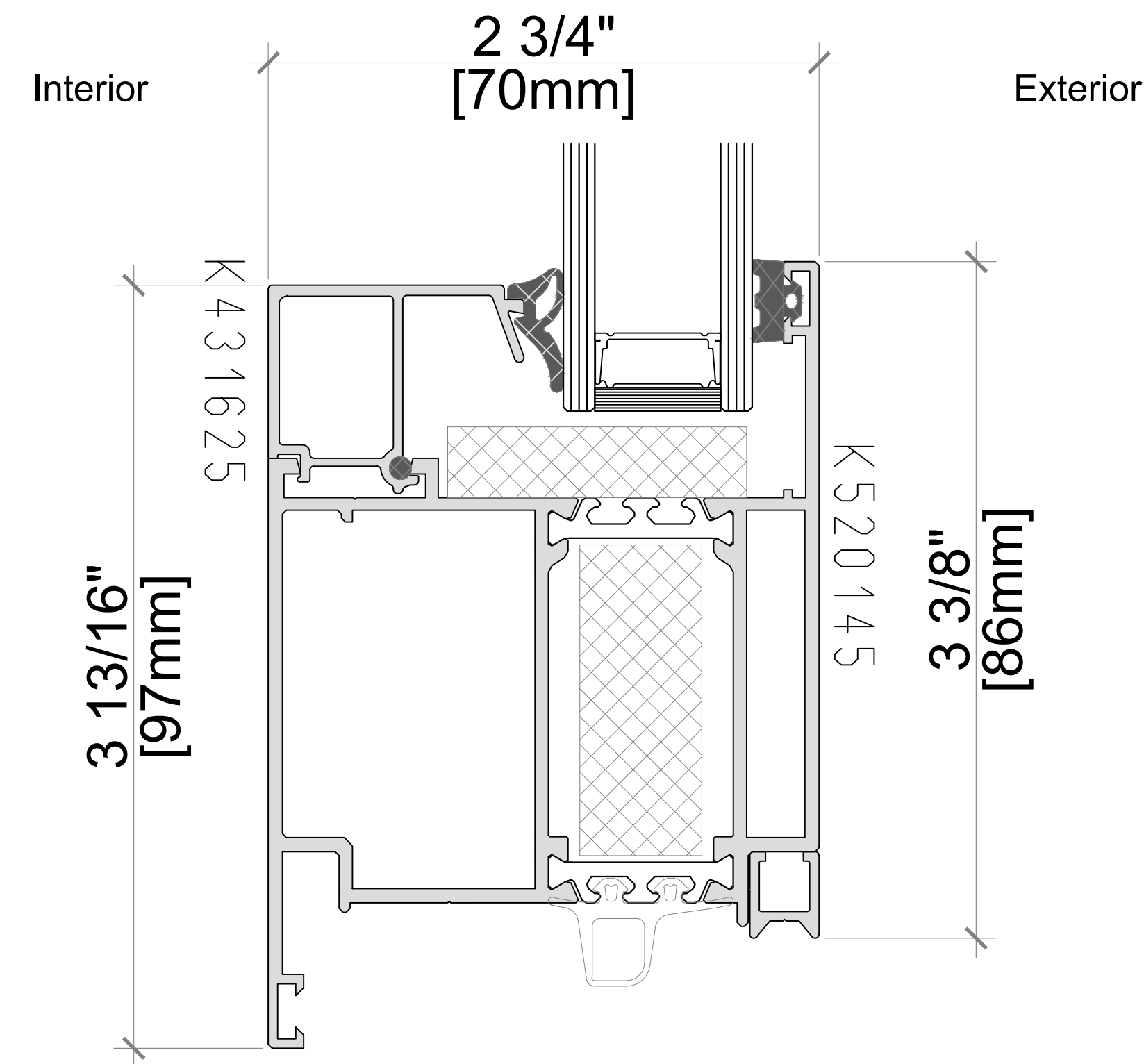
## ALUPROF MB79mm: Doors

# ALUPROF 79mm Product Guide

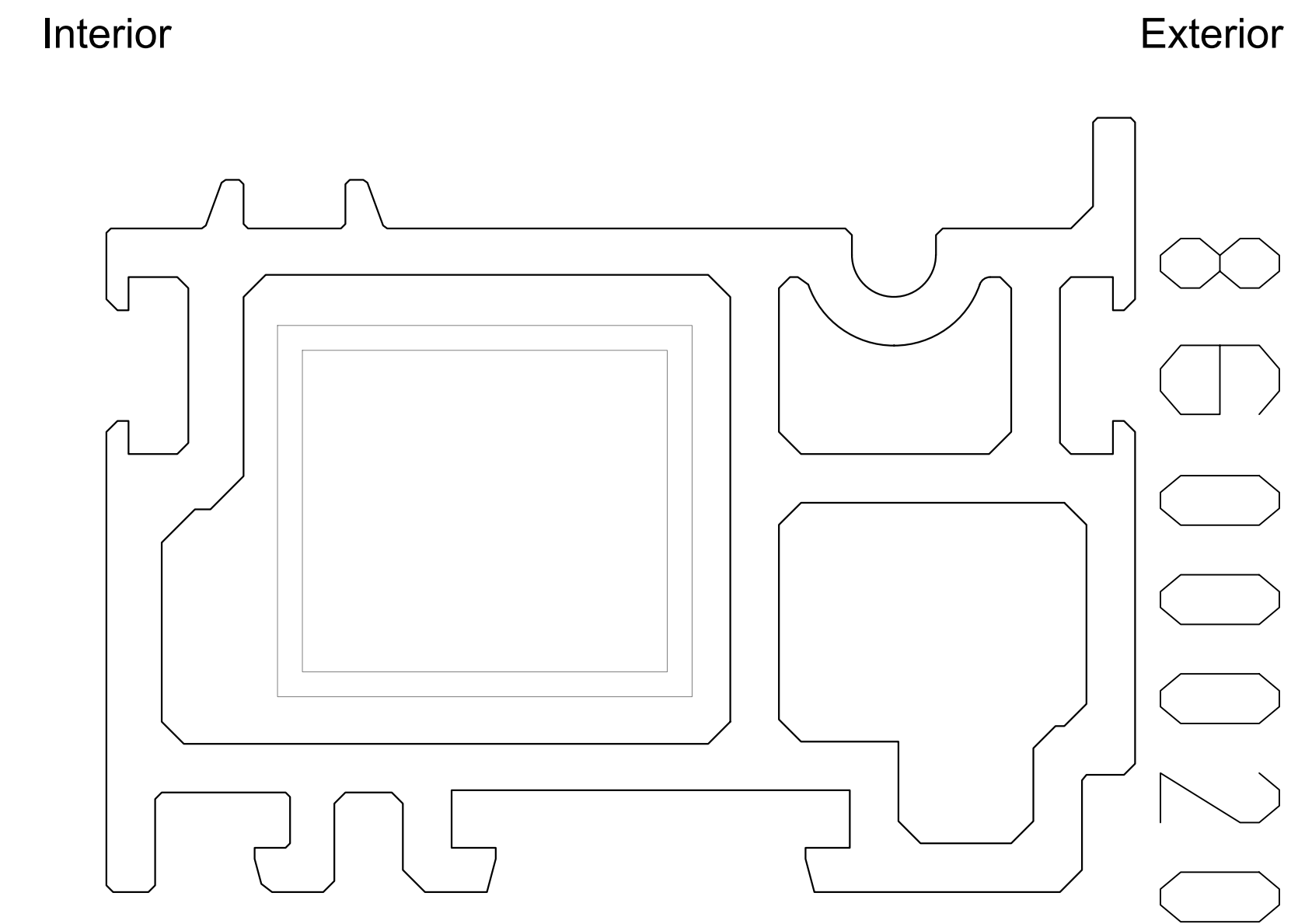
MB-79N; Door Profile Anatomy

A M B E R L I N E

HIGH PERFORMANCE WINDOWS AND DOORS



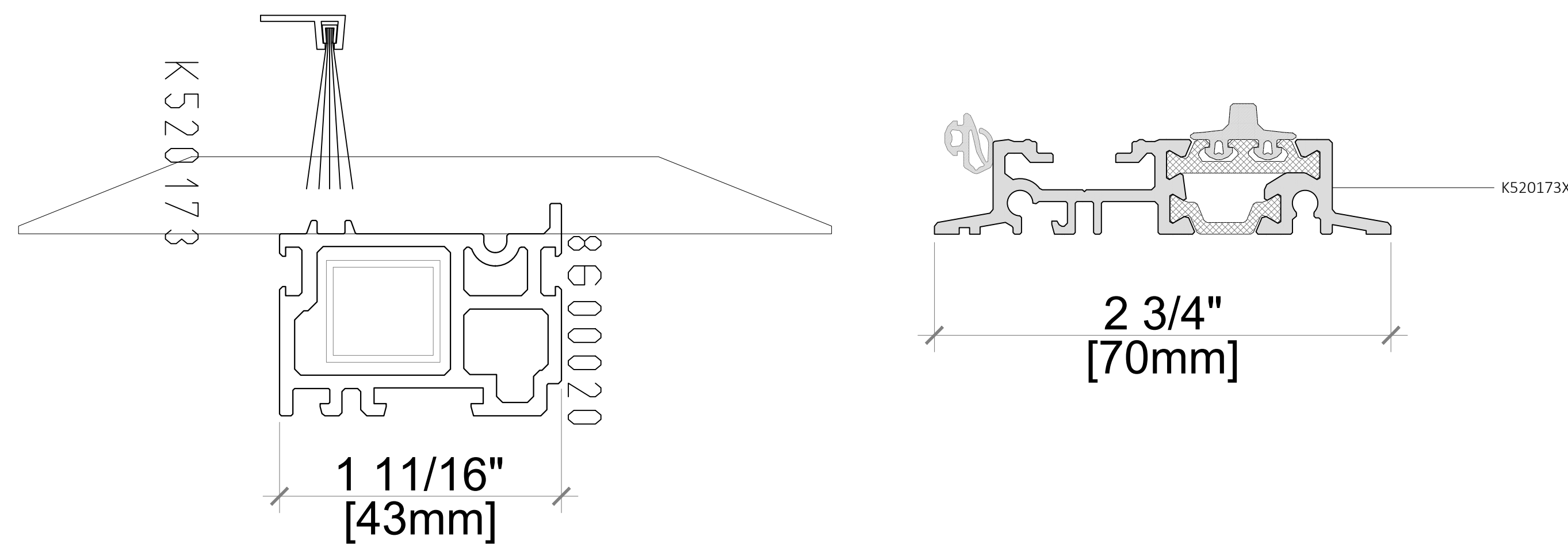
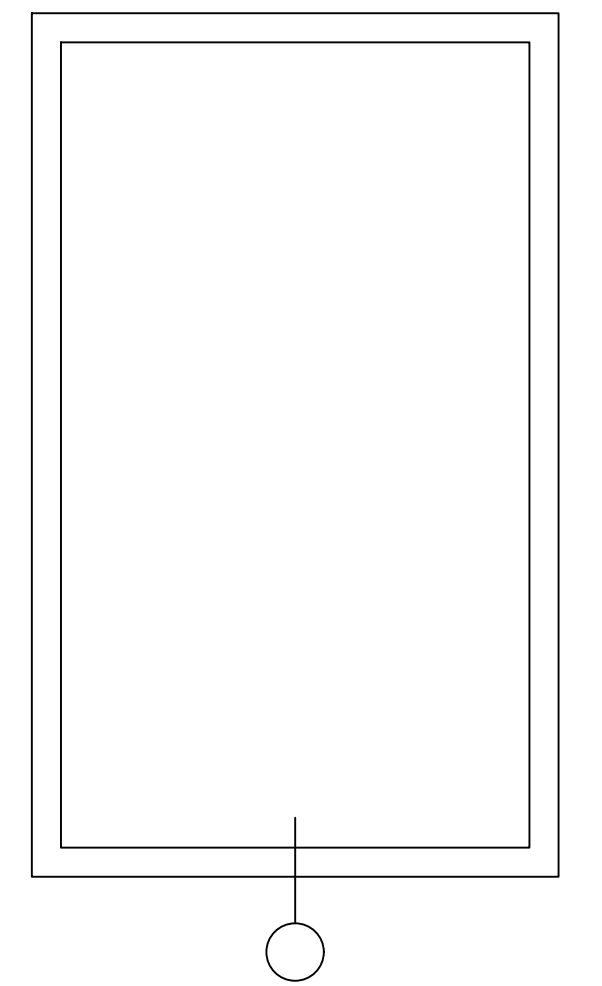
**SASH:**  
HOLDS THE PANES OF GLASS AND  
ALLOWS THE WINDOW TO OPERATE AND  
HOLD OPEN WINDOWS



**SUB SILL:**  
ACTS AS A FRAME EXTENSION FOR THE  
BOTTOM OF THE WINDOW

**NOTE:**  
Sub Sill is Only for the Bottom of the Window  
and Not the Head or Jamb of the Window

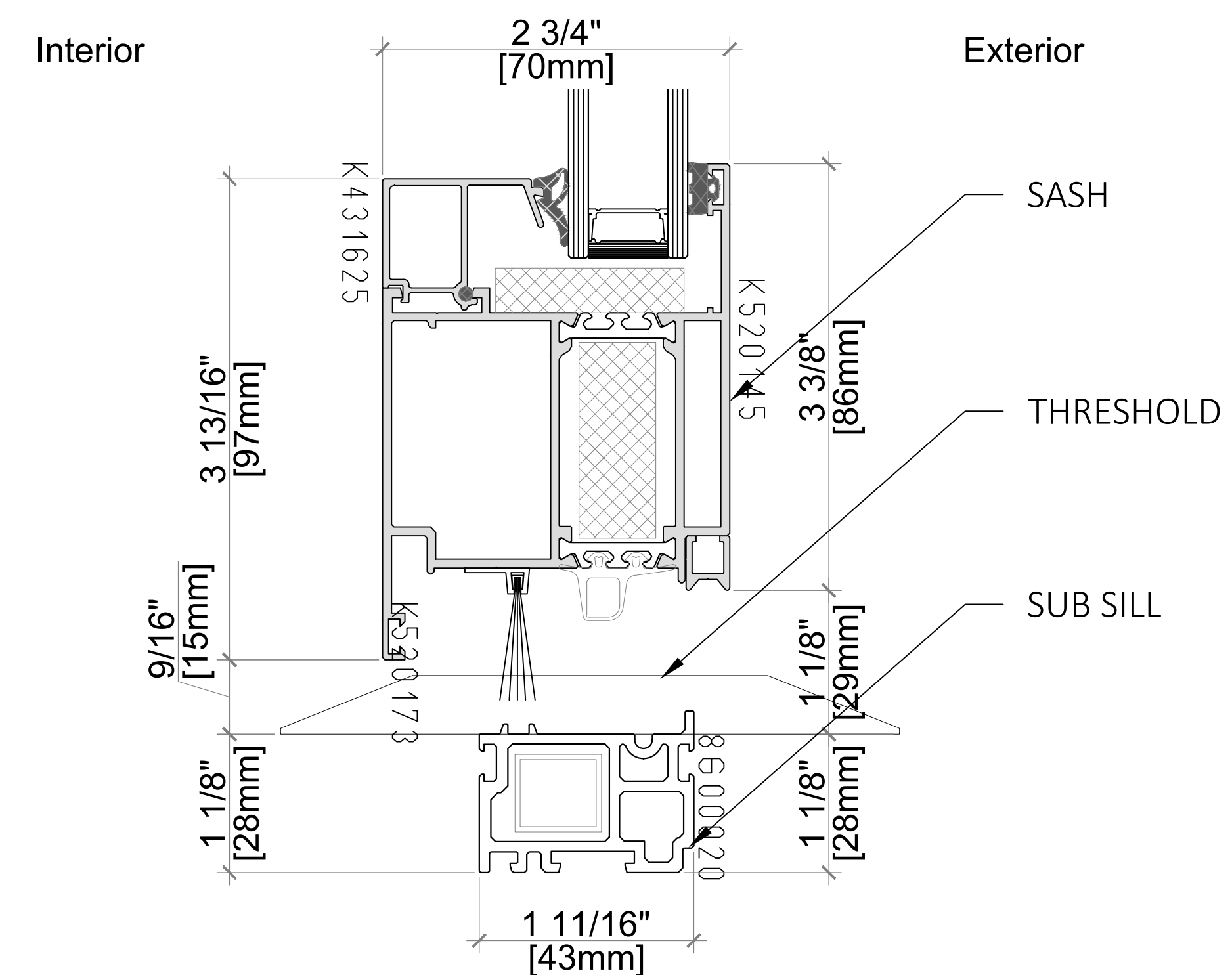
Elevation key:



STANDARD ADA THRESHOLD

STANDARD THRESHOLD

**THRESHOLD:**  
THE BOTTOM OF A DOORWAY,  
CROSSED WHEN ENTERING A  
HOUSE OR ROOM



**MB79 PROFILE:**  
THE SASH AND FRAME CONNECTED TO  
MAKE THE DOOR PROFILE

**Note:** Sub Sill is Only for the  
Bottom of the Window and  
Not the Head or Jamb of the  
Window

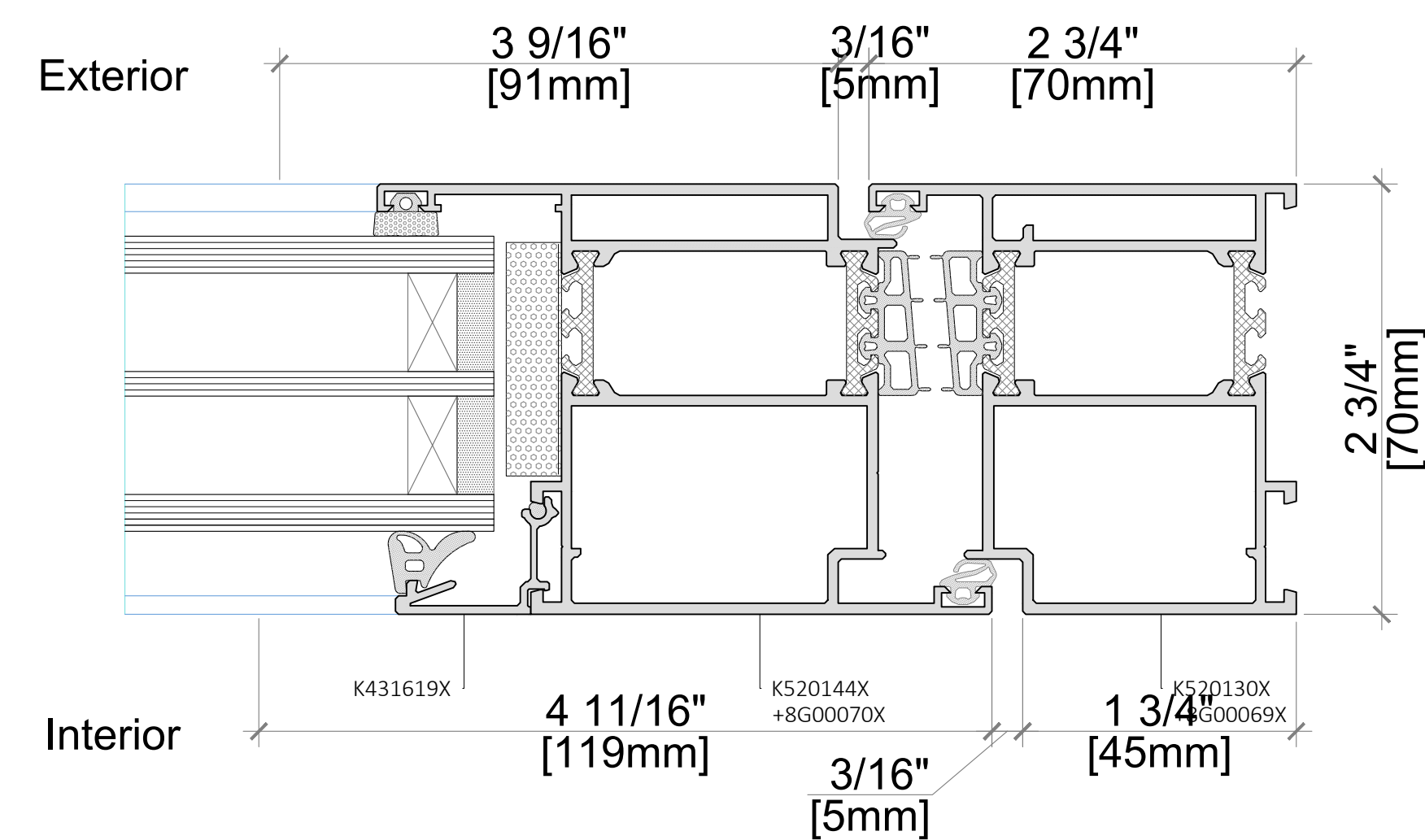
**Note:** Available in Double &  
Triple Glazed

# ALUPROF 79mm Product Guide

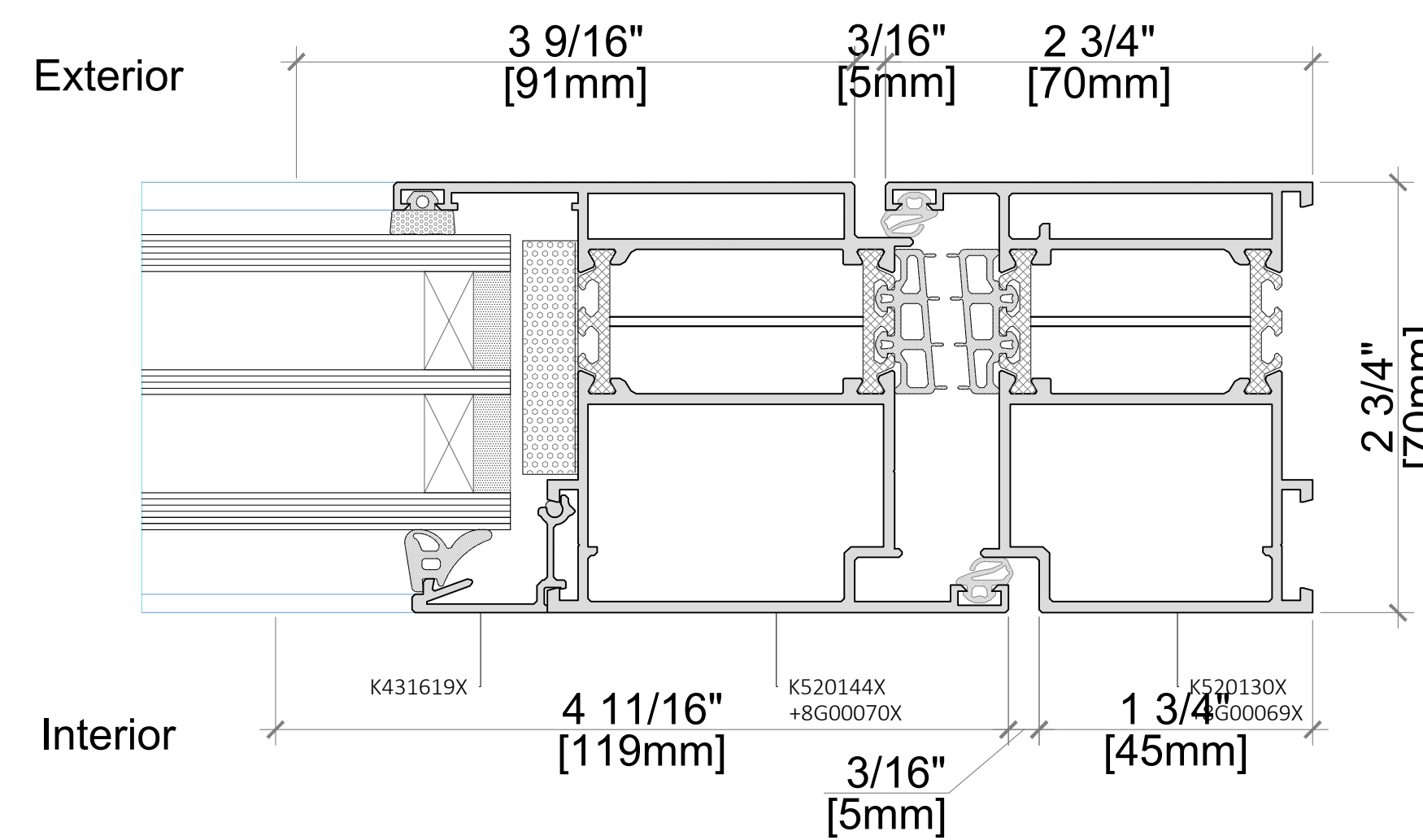
A M B E R L I N E

HIGH PERFORMANCE WINDOWS AND DOORS

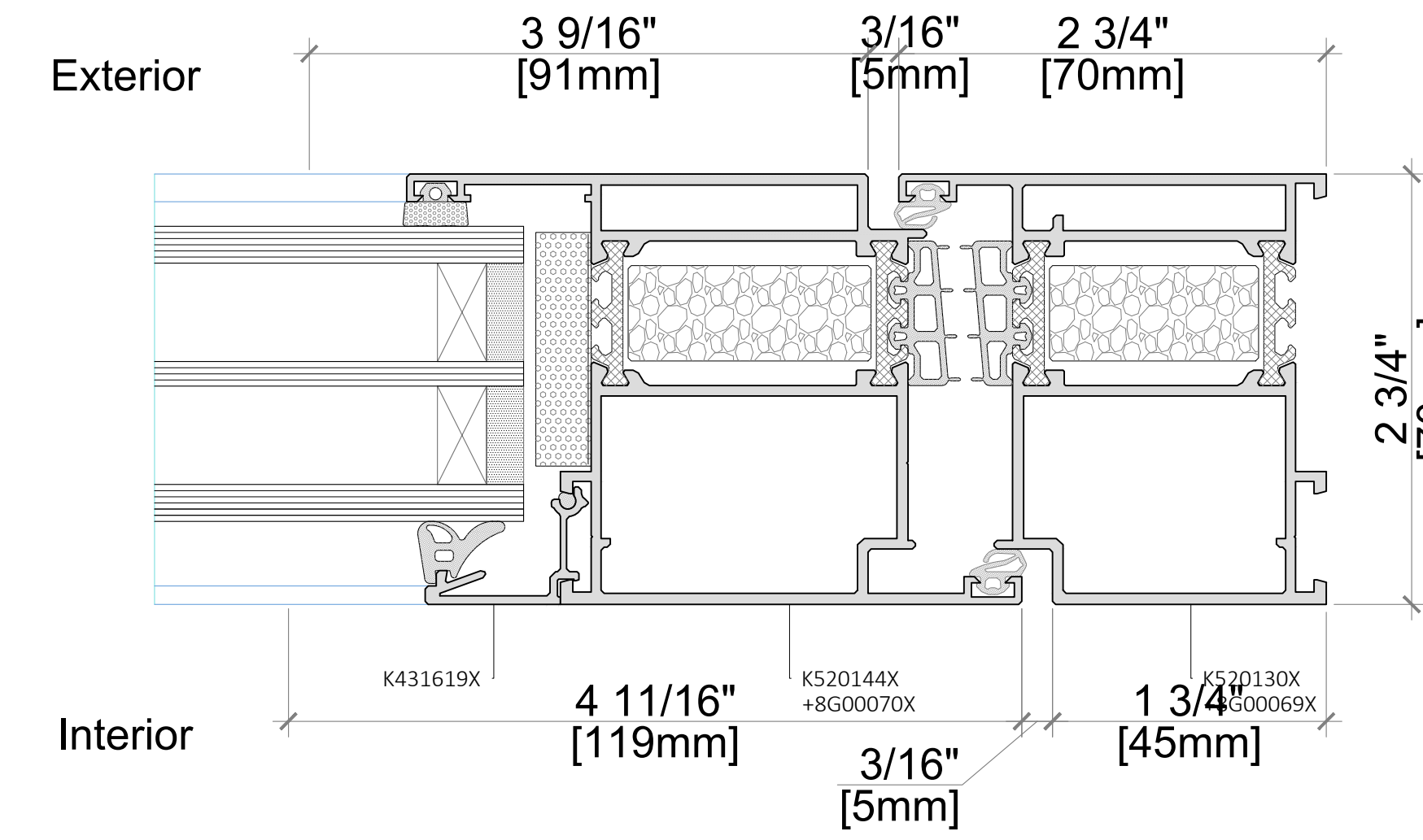
MB-79N; Thermally Insulated Standard Door Profile Options



Jamb Detail - MB-79N E

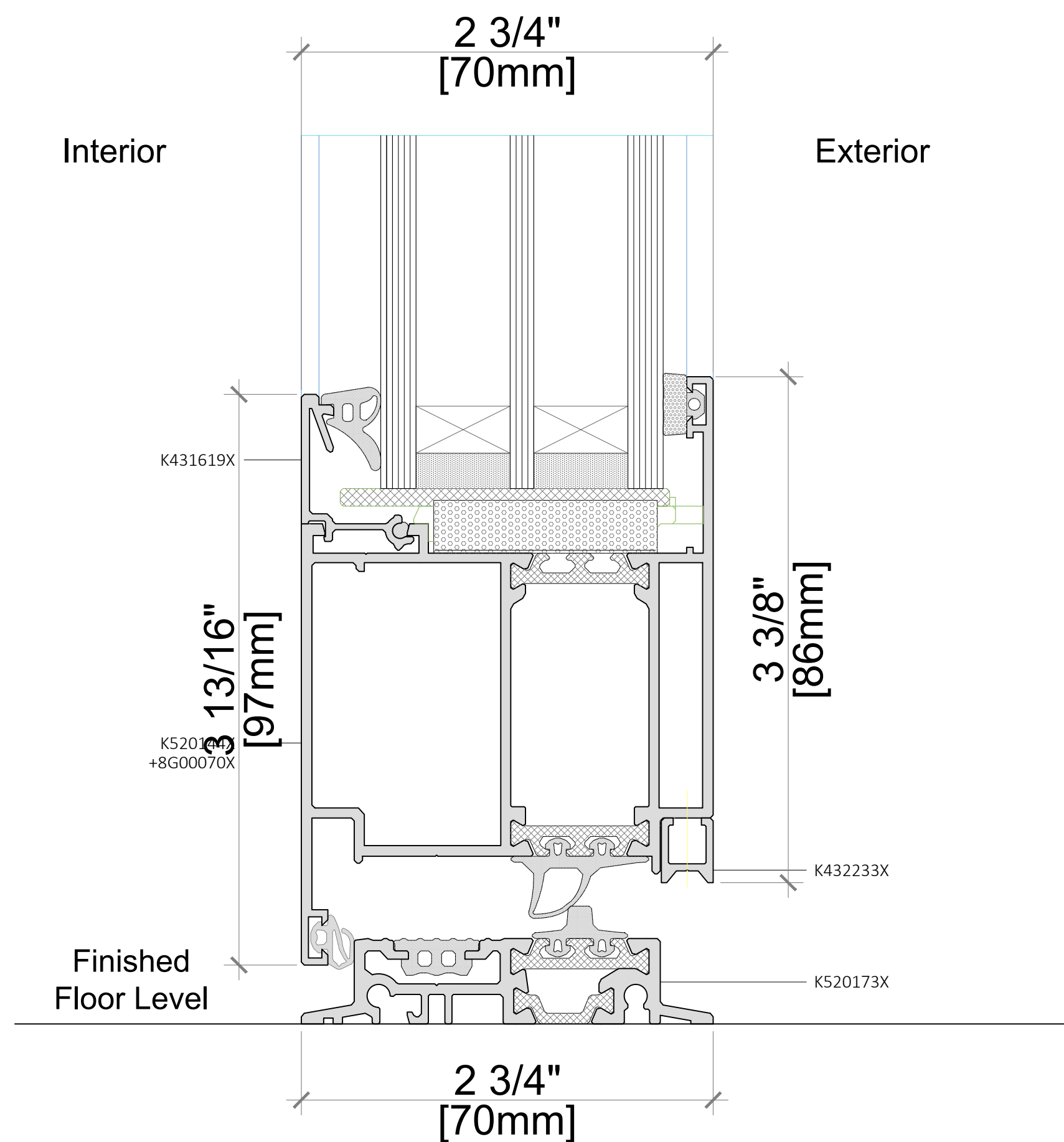
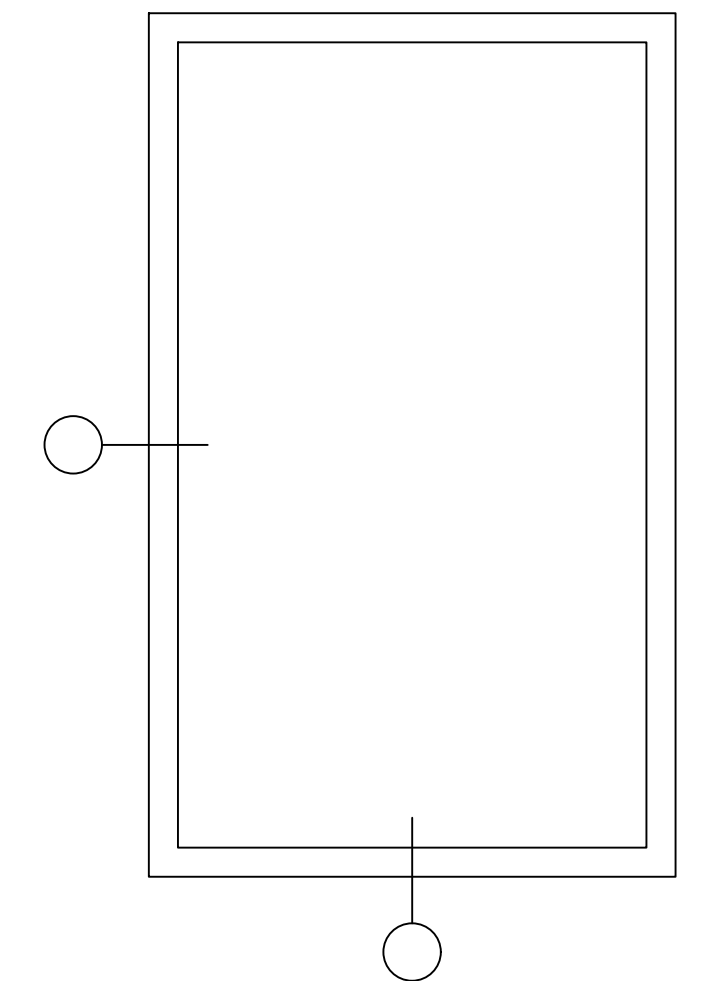


Jamb Detail - MB-79N ST



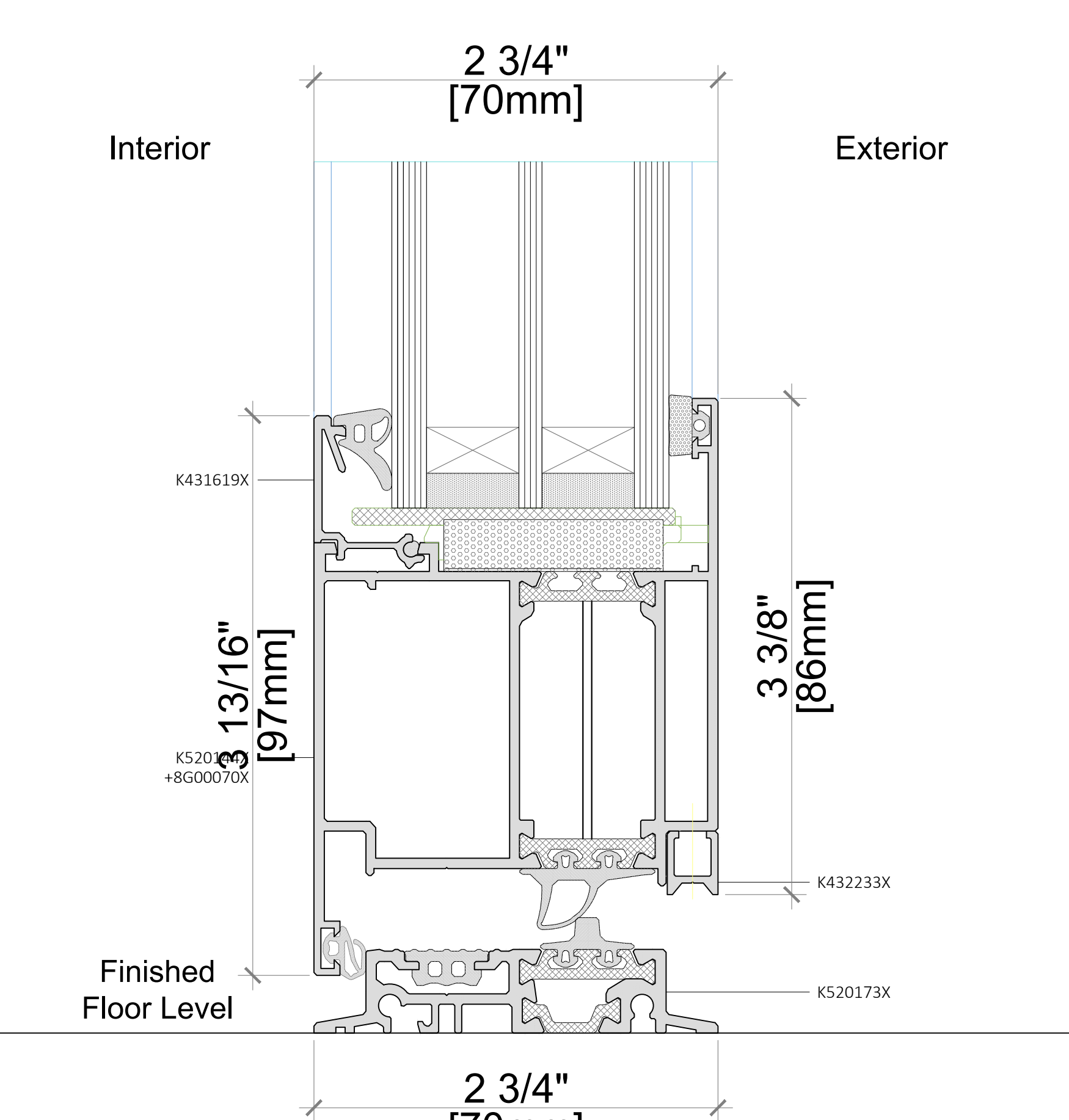
Jamb Detail - MB-79N SI

Elevation key:



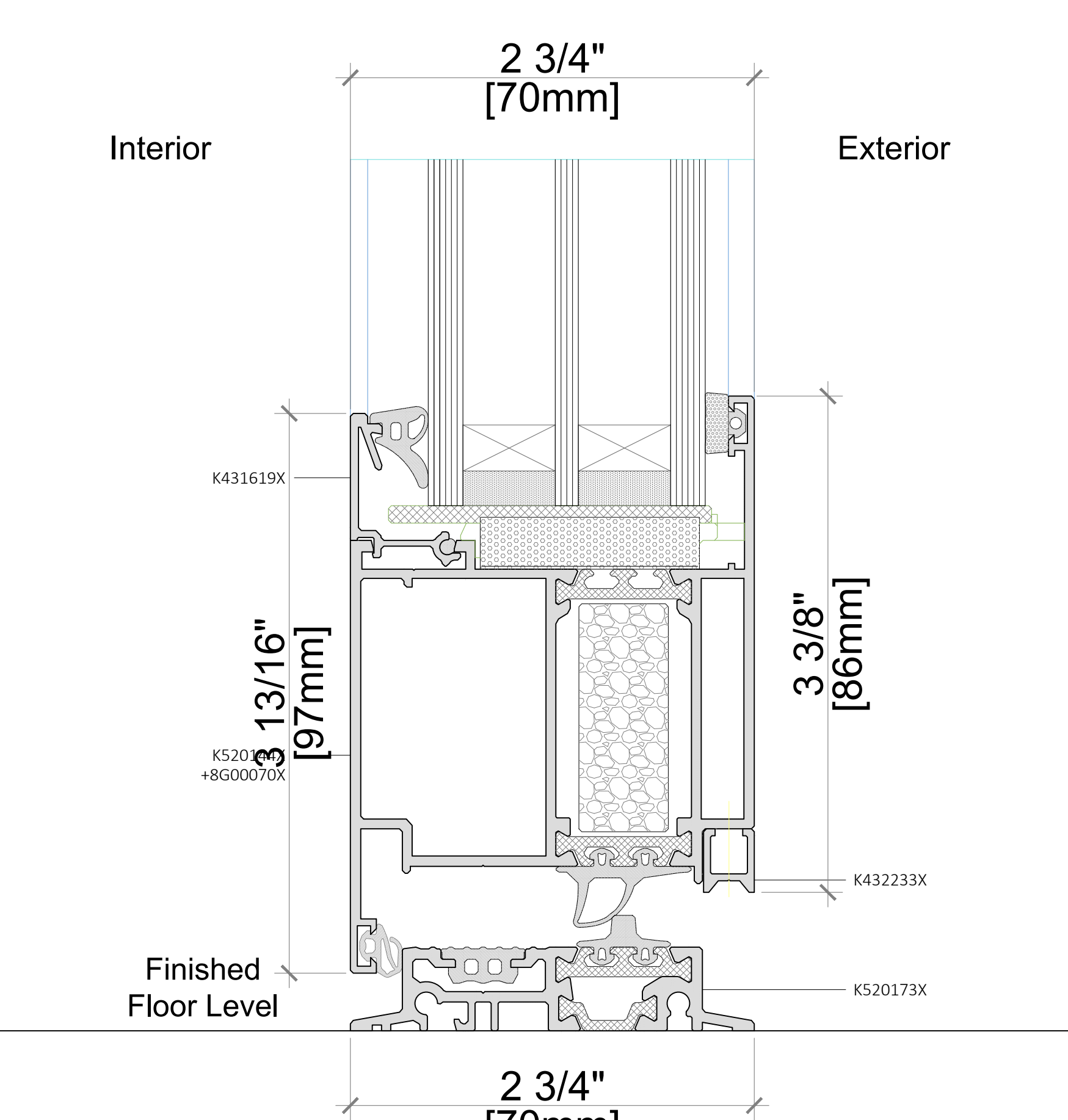
Standard Threshold Detail

MB-79N E  
 PROFILE: K520144X  
 THERMAL INSULATION; LOW



Standard Threshold Detail

MB-79N ST  
 PROFILE: K520144X  
 THERMAL INSULATION; MEDIUM



Standard Threshold Detail

MB-79N SI+  
 PROFILE: K520144X  
 THERMAL INSULATION; HIGH

**Note:** The Thermal Efficiency Varies Across These Three Profiles Due To The Thermal Insulation Within The Profiles.

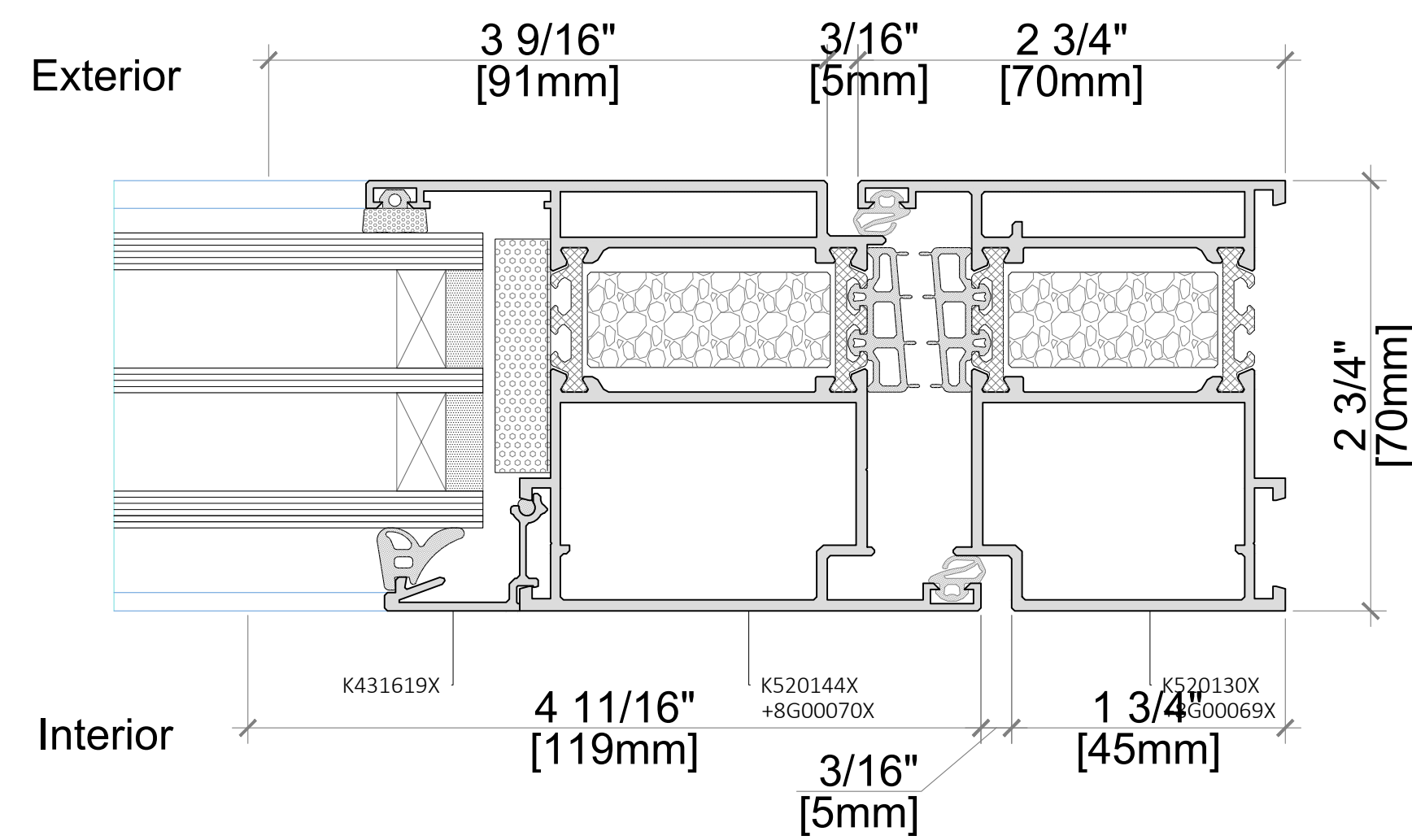
**Note:** Available in Double & Triple Glazed

# ALUPROF 79mm Product Guide

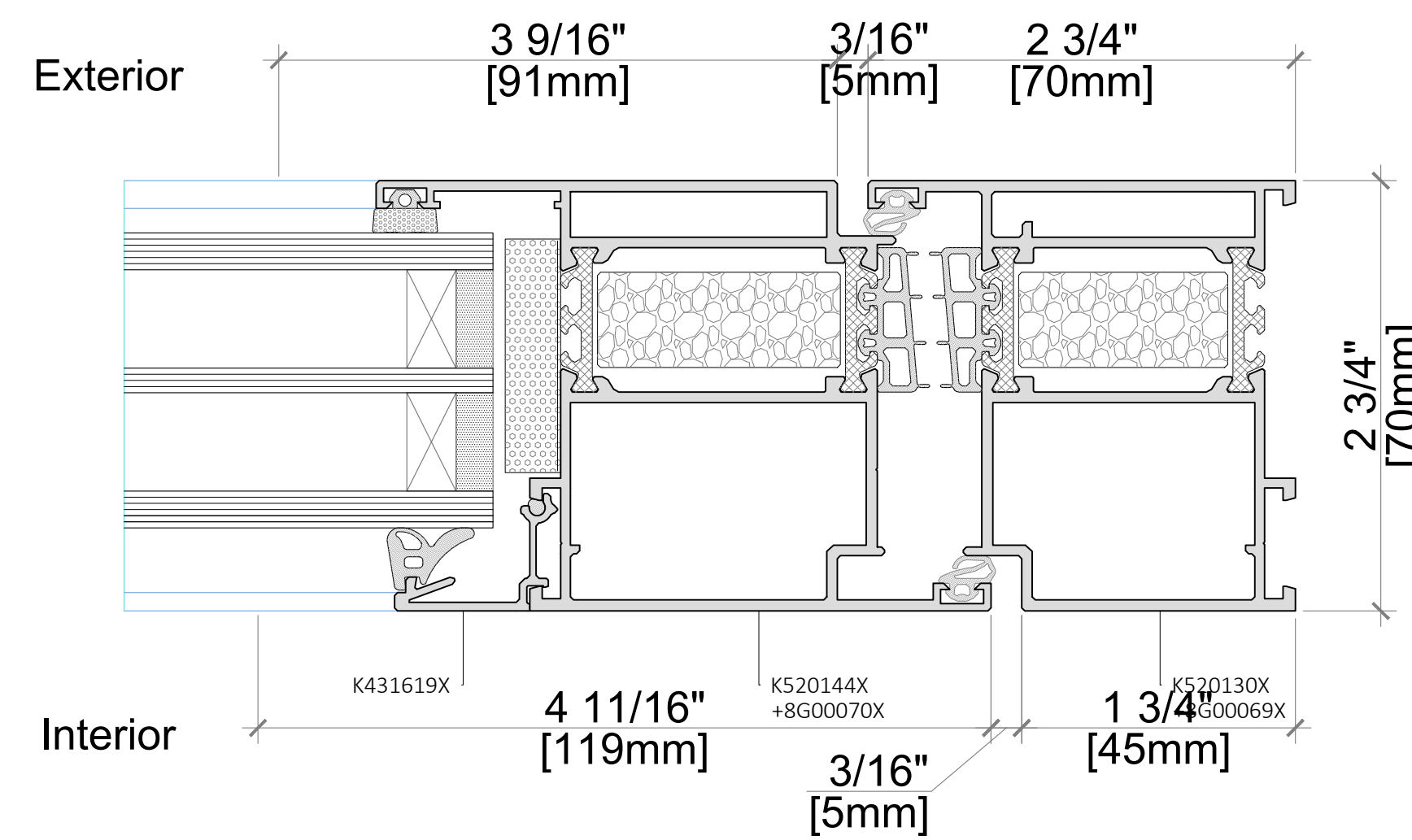
A M B E R L I N E

HIGH PERFORMANCE WINDOWS AND DOORS

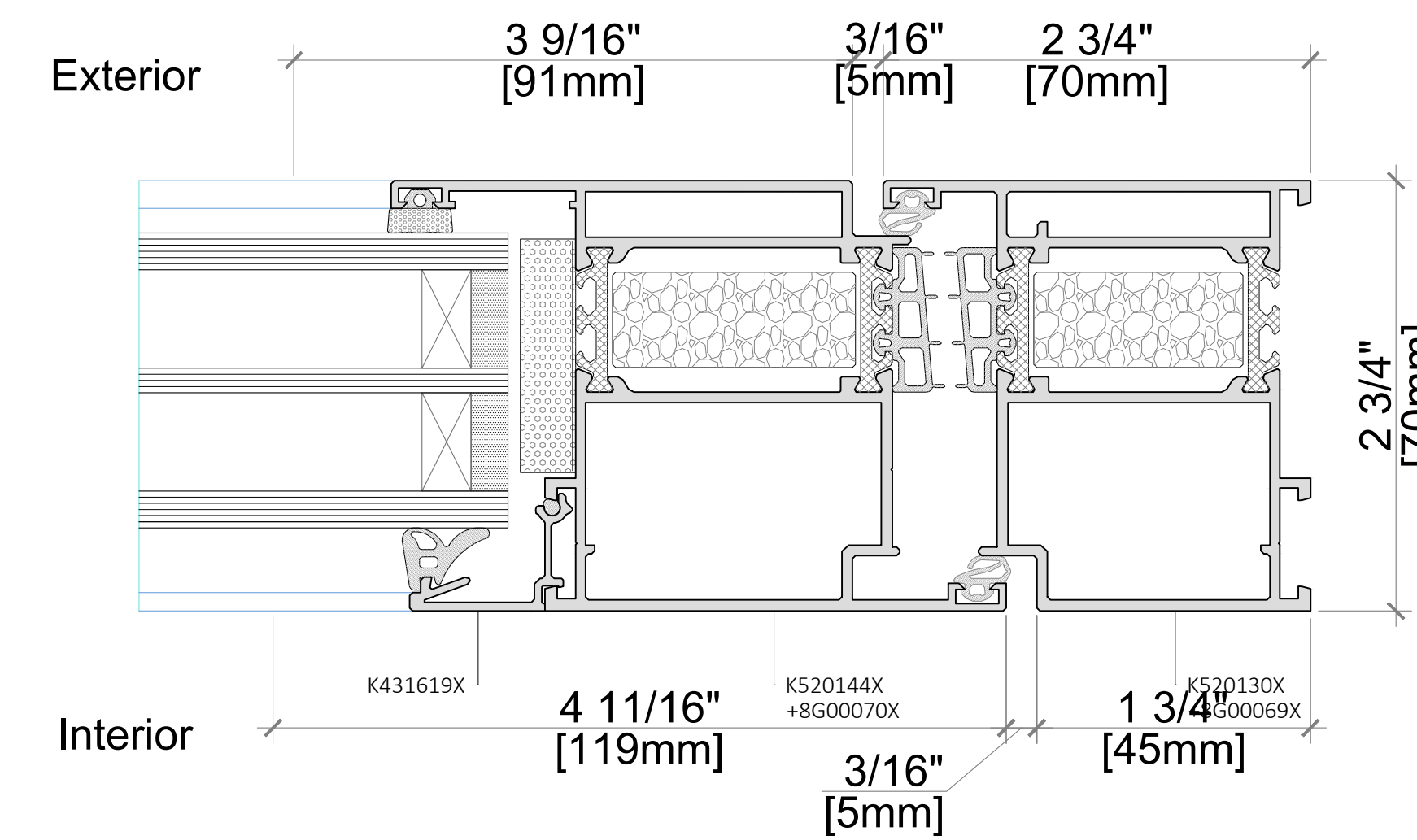
MB-79N; Standard Door Threshold Options



Jamb Detail - MB-79N K520144X

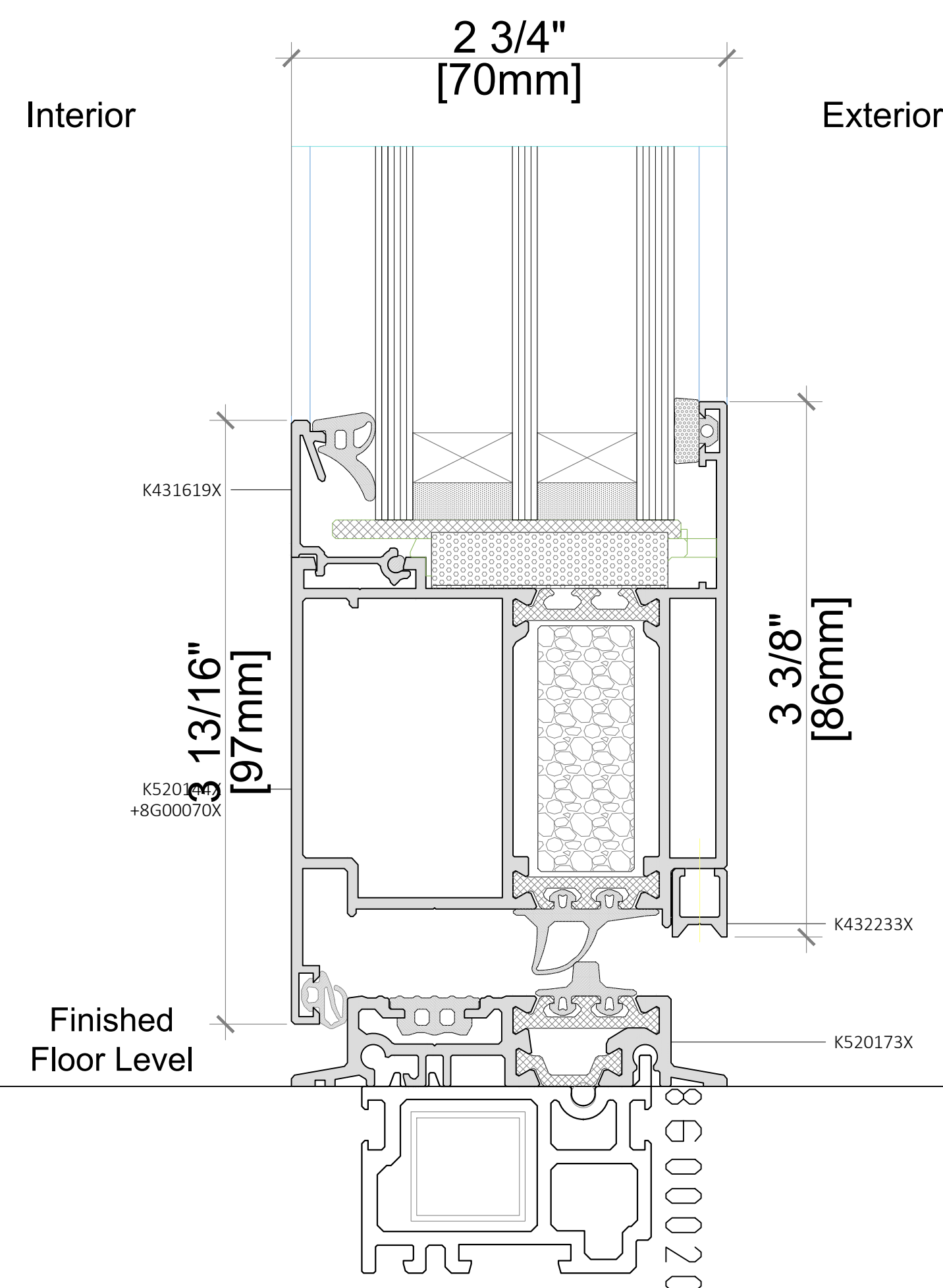
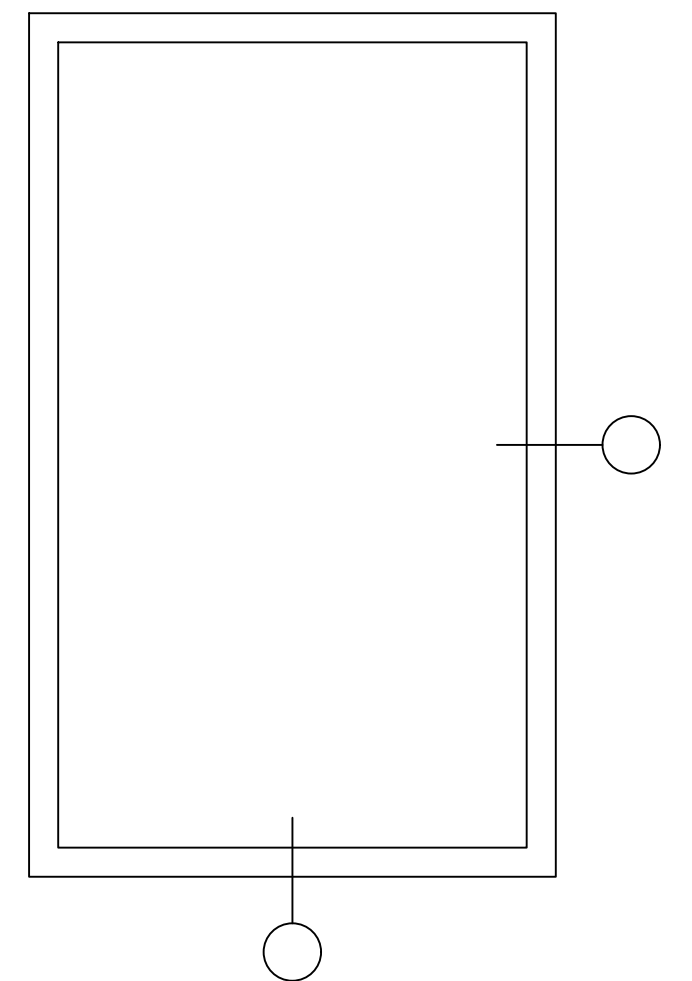


Jamb Detail - MB-79N K520144X

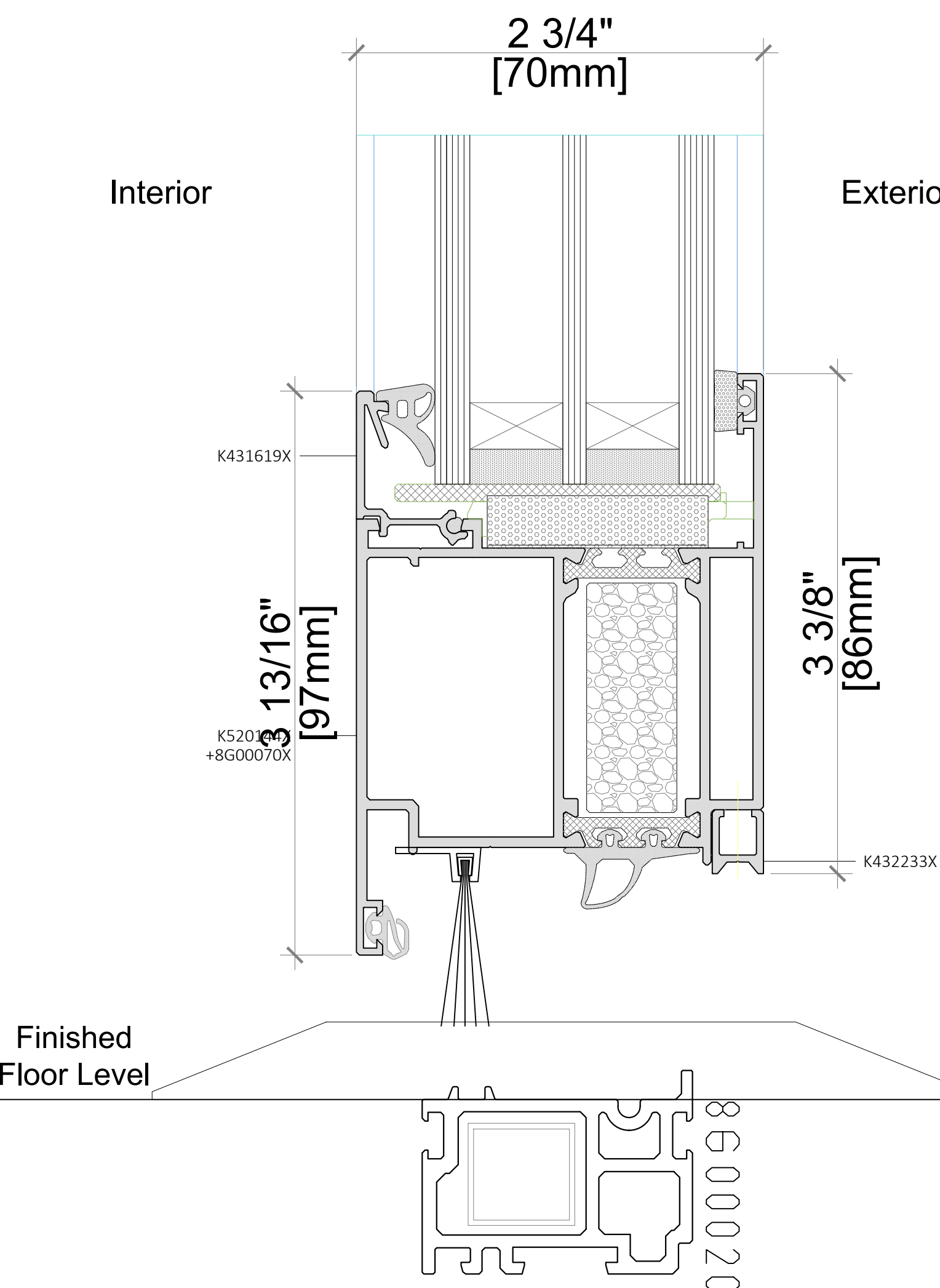


Jamb Detail - MB-79N K520144X

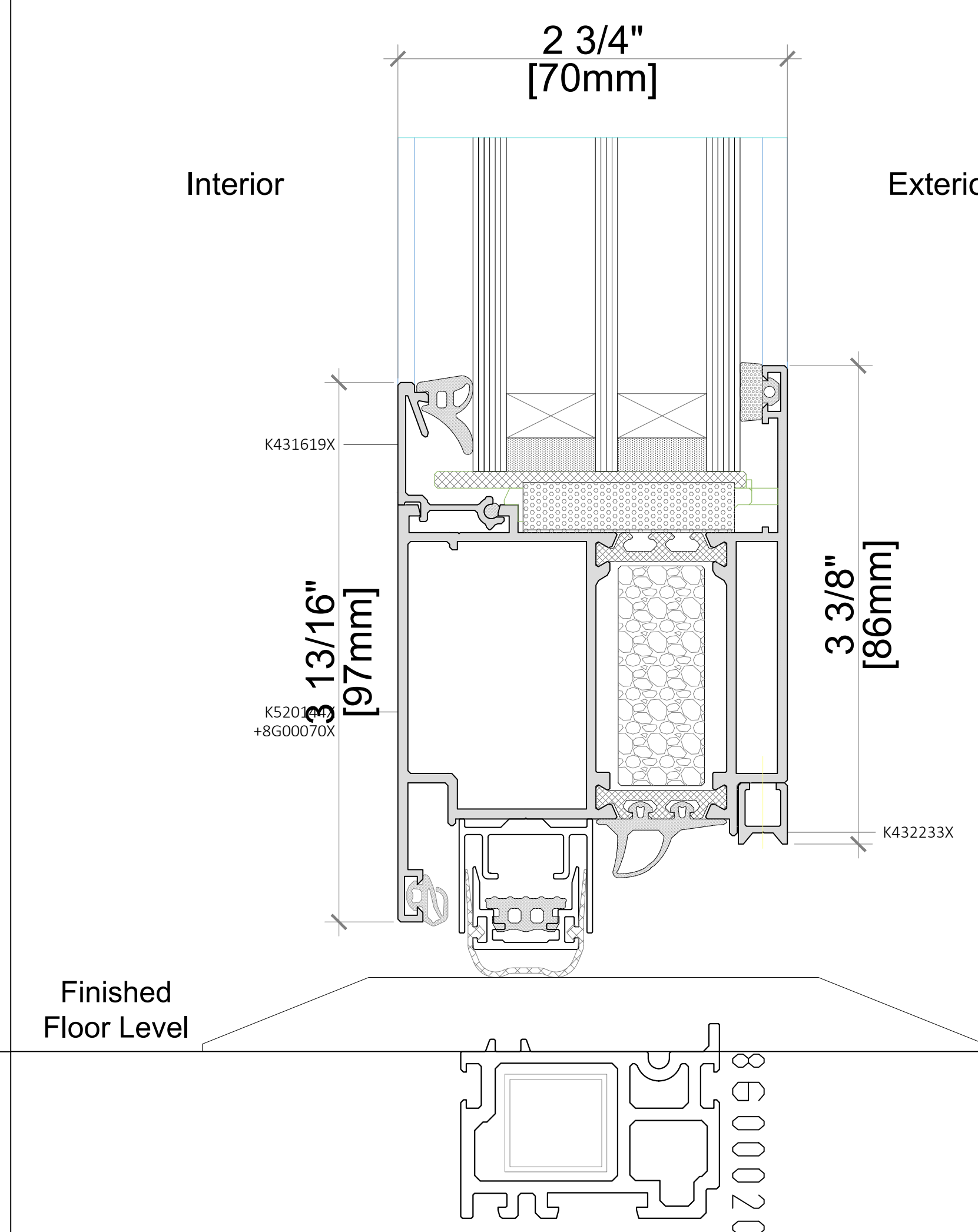
Elevation key:



Standard Threshold Detail  
With Sub Threshold  
MB-79N SI  
PROFILE: K520144X



Standard ADA Threshold Detail  
With Brush Gasket And Sub Threshold  
MB-79N SI  
PROFILE: K520144X



Standard ADA Threshold Detail  
With Drop Down Threshold  
MB-79N SI  
PROFILE: K520144X

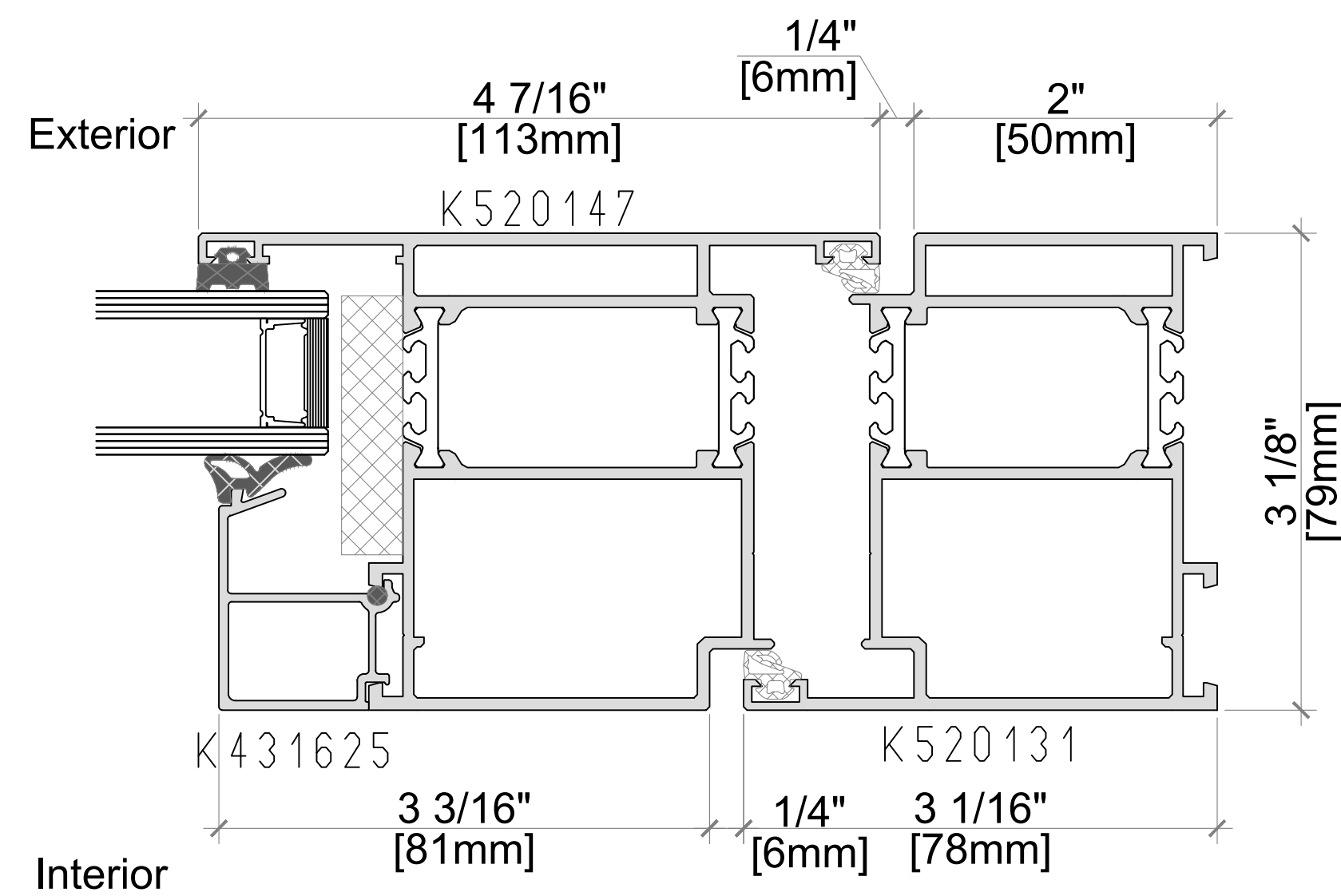
Note: Available in Double & Triple Glazed

# ALUPROF 79mm Product Guide

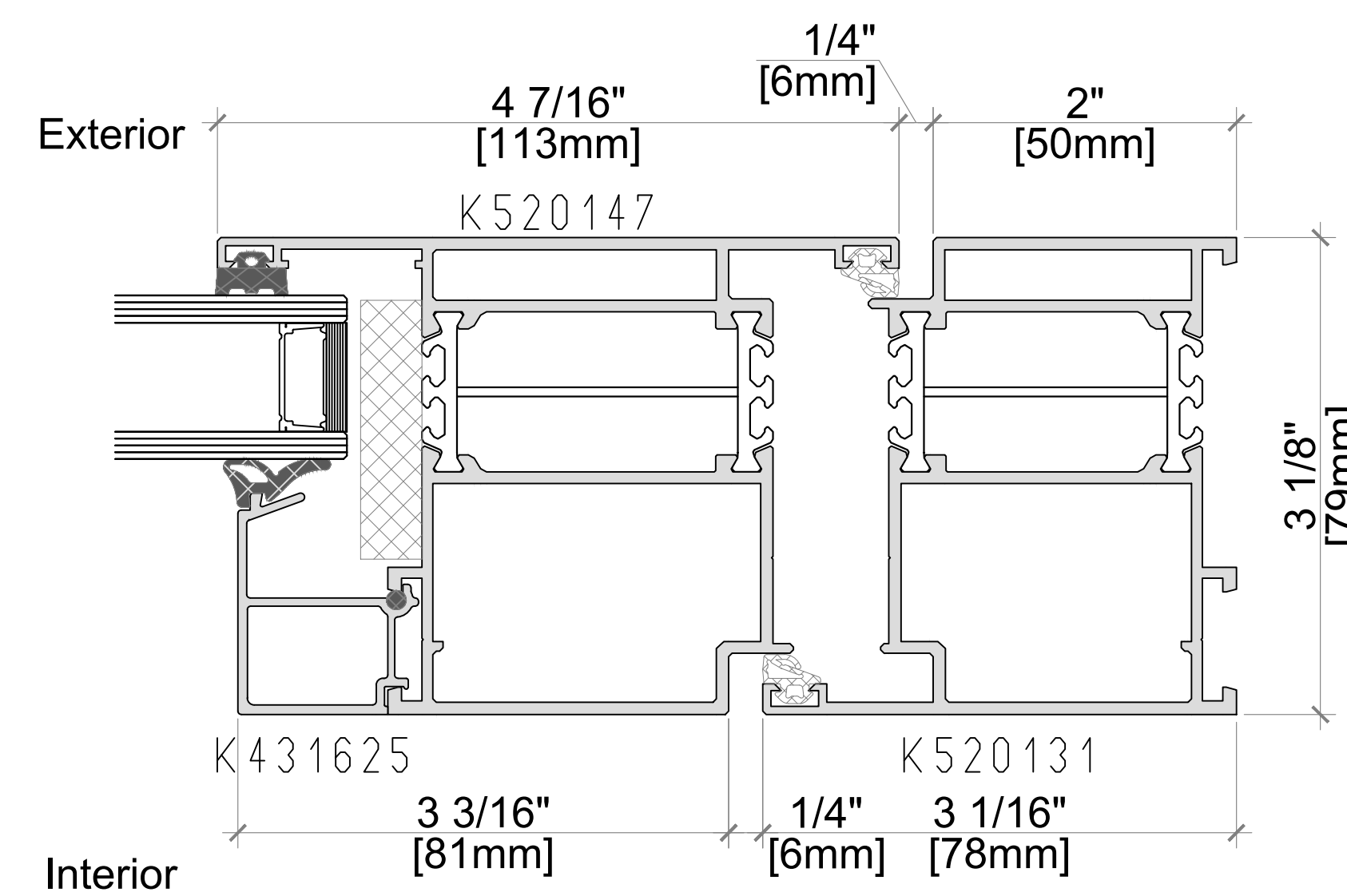
MB-79N; Thermally Insulated Commercial Door Profile Options

A M B E R L I N E

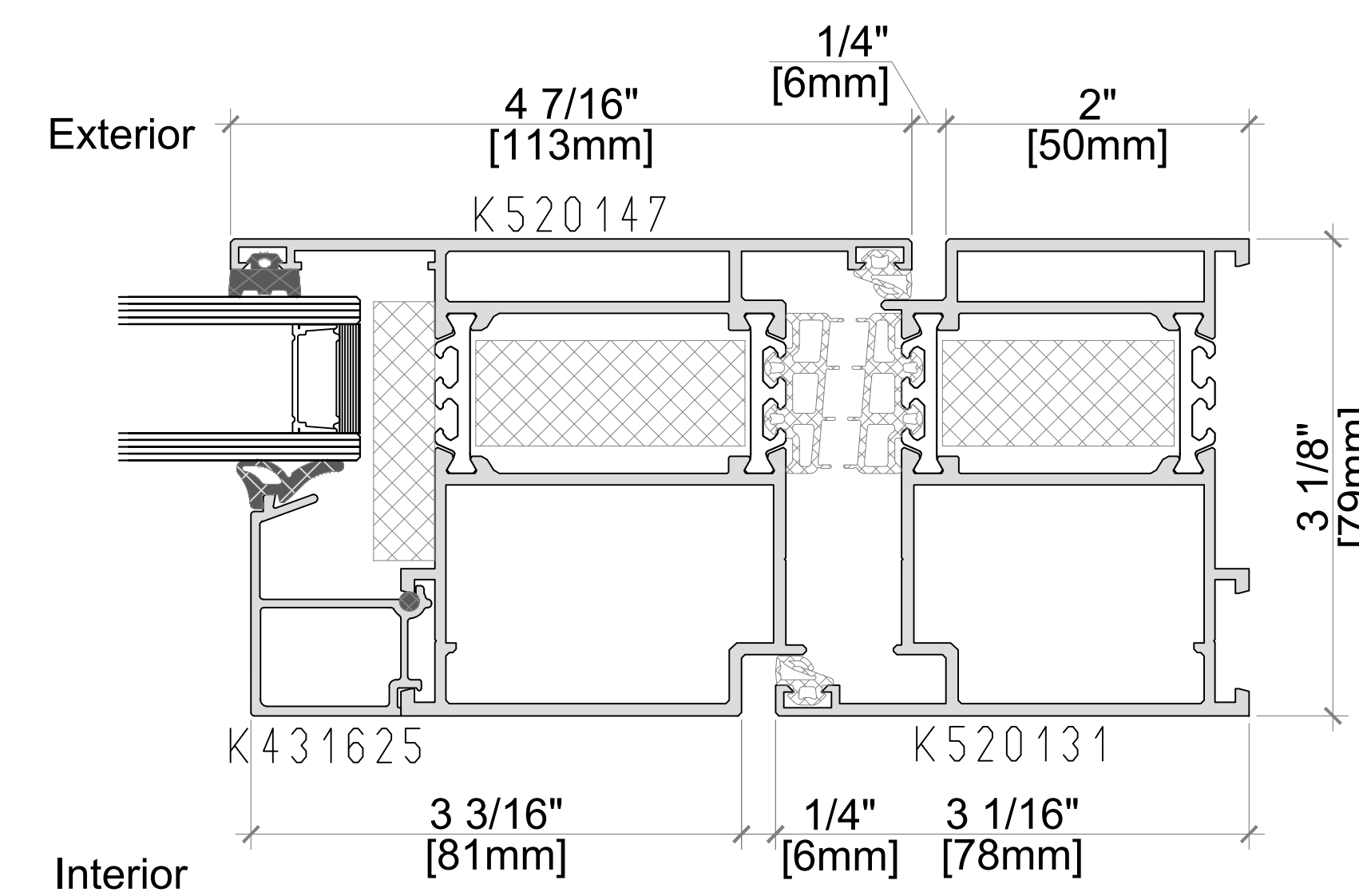
HIGH PERFORMANCE WINDOWS AND DOORS



Jamb Detail - MB-79N E

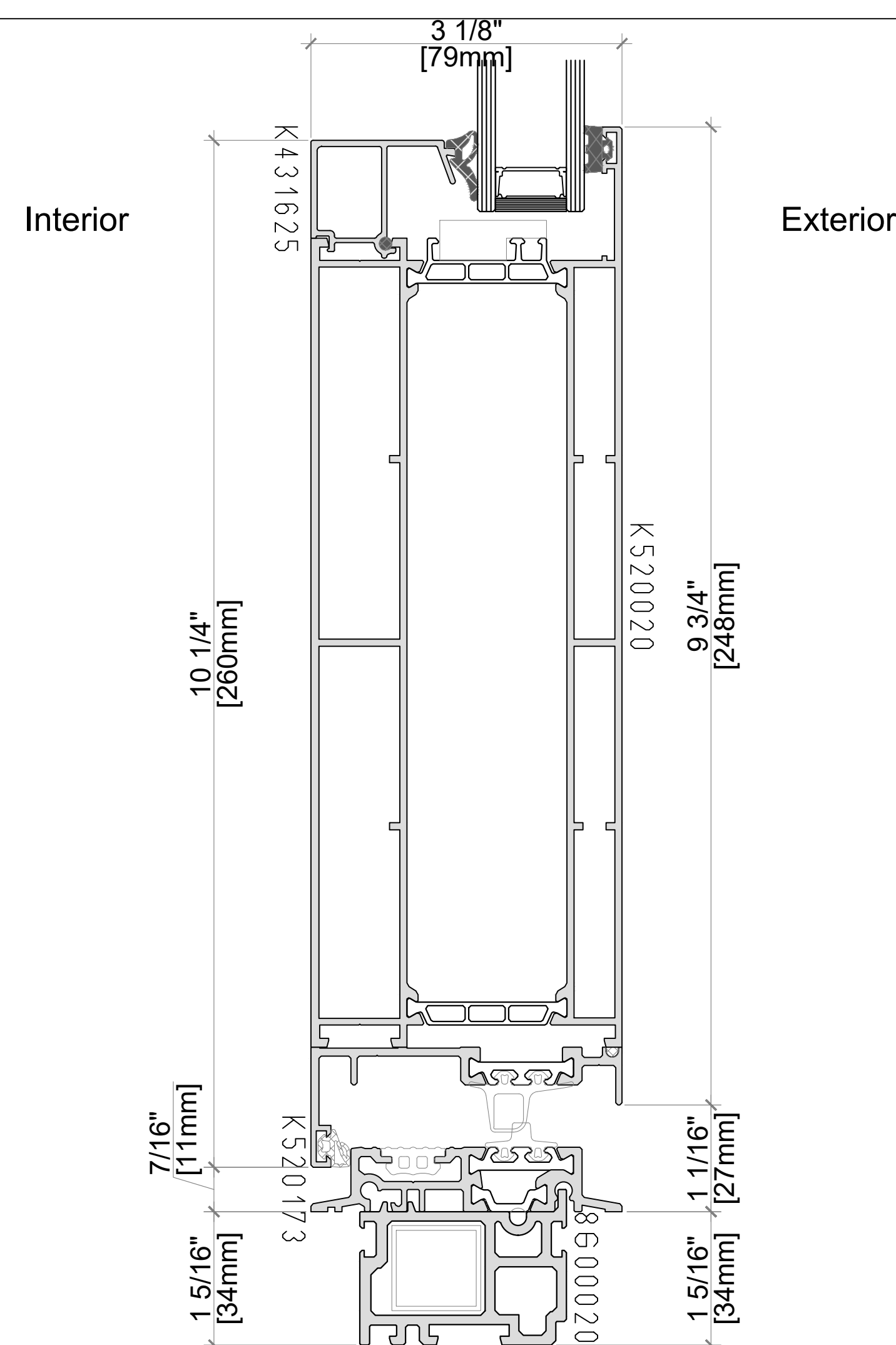
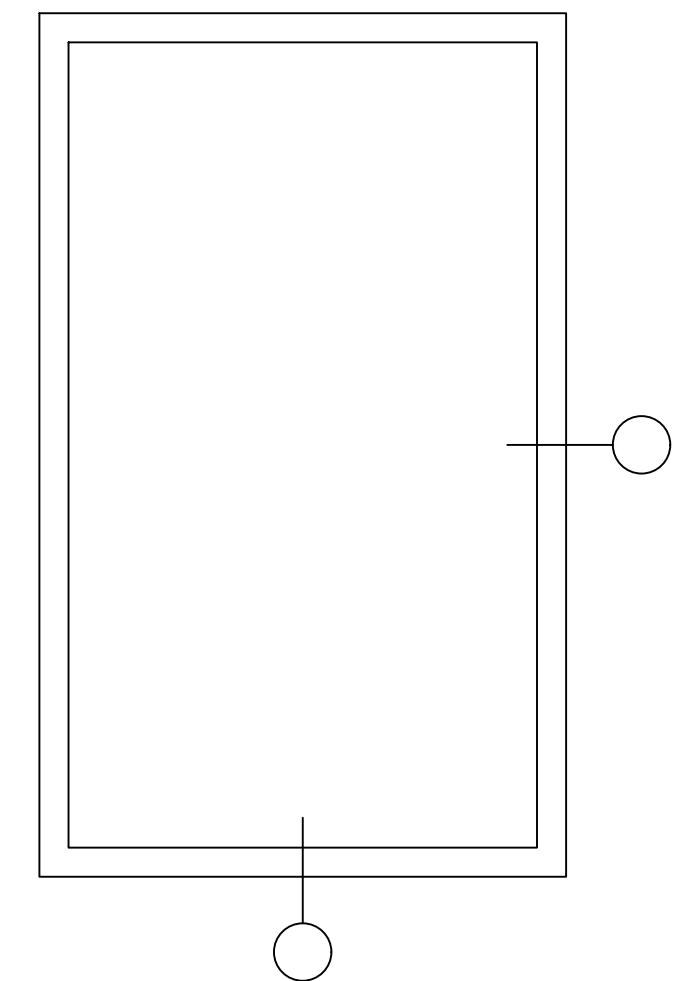


Jamb Detail - MB-79N ST

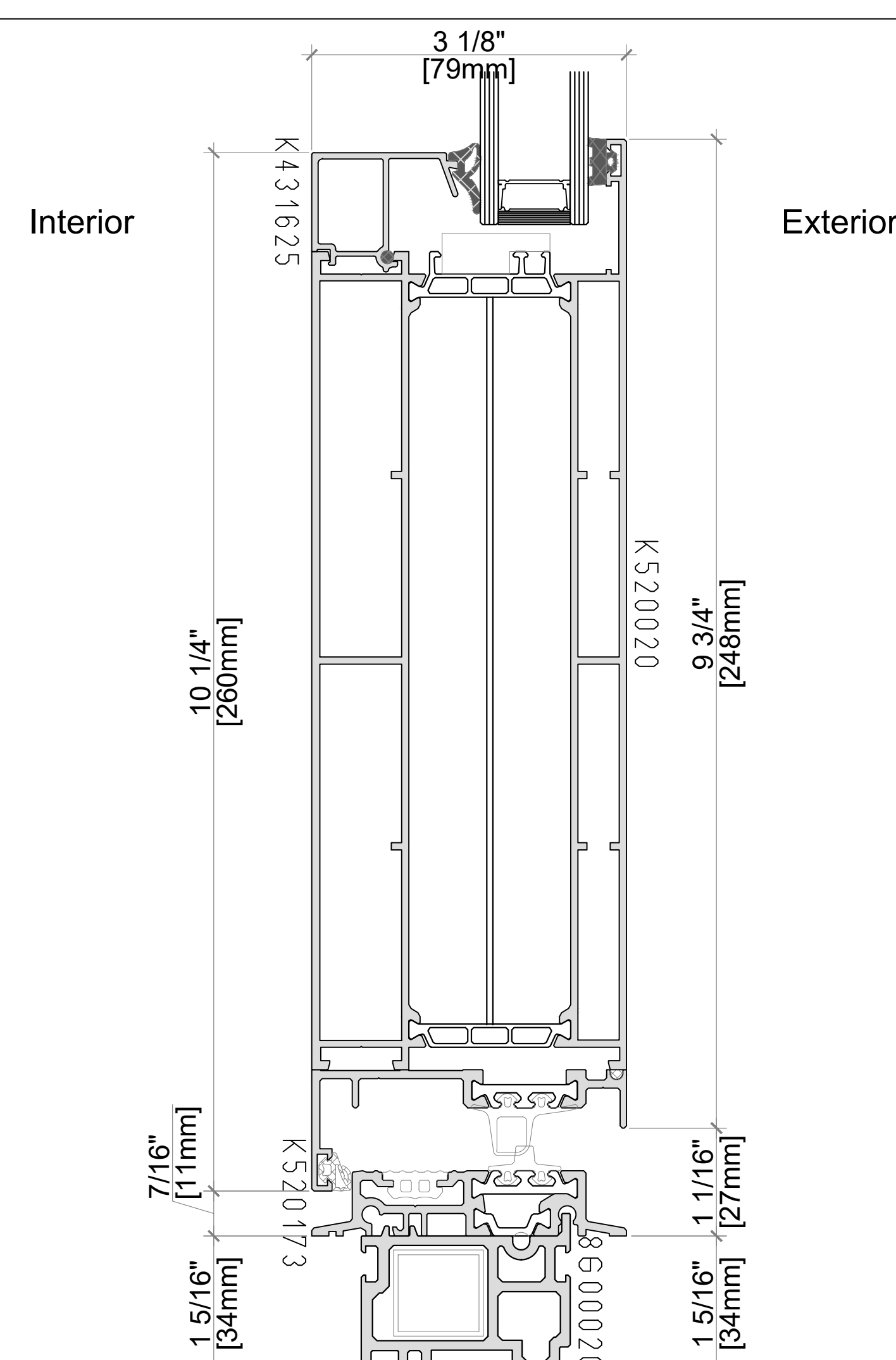


Jamb Detail - MB-79N SI

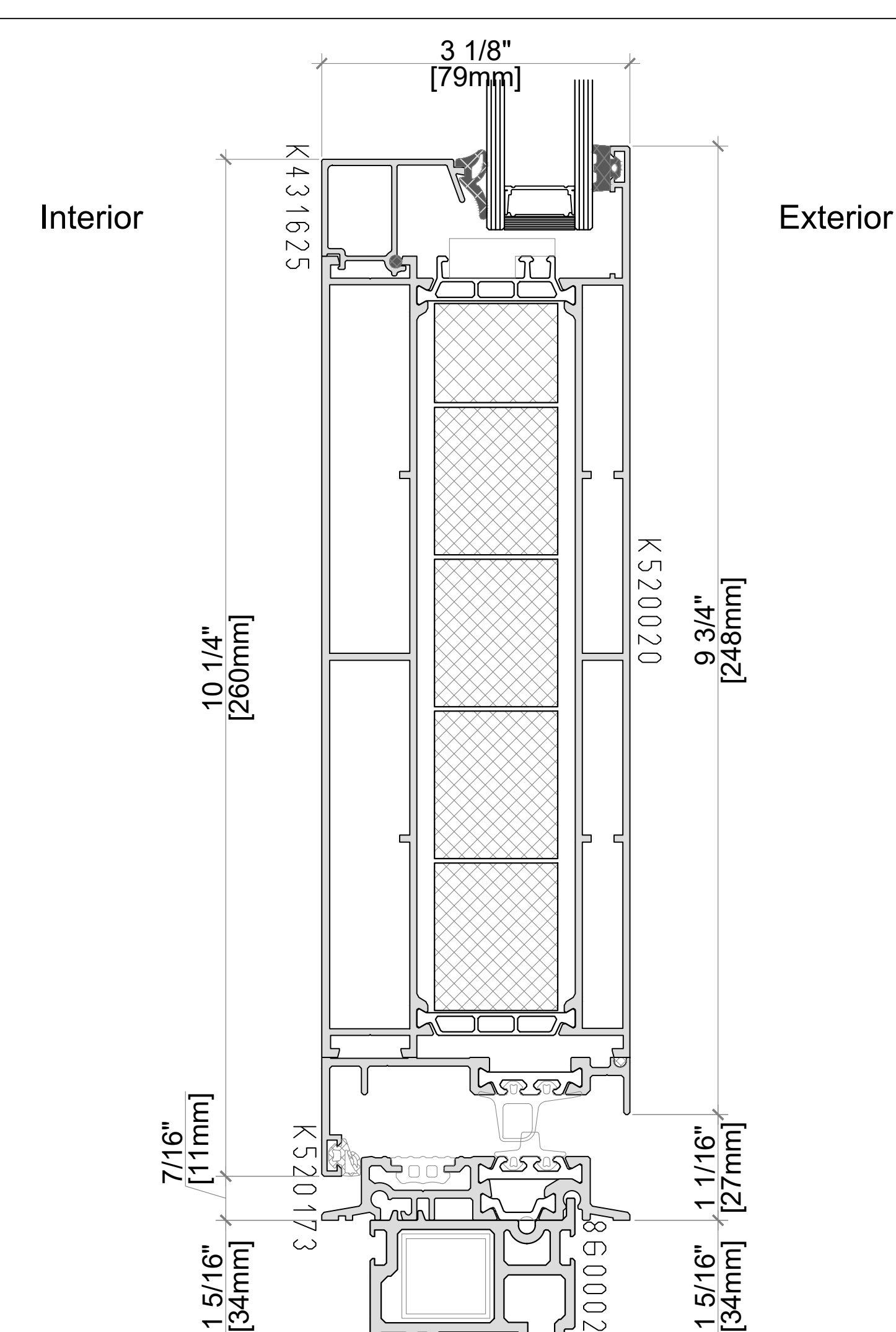
Elevation key:



Standard Threshold Detail  
MB-79N E  
PROFILE: K520020X  
THERMAL INSULATION; LOW



Standard Threshold Detail  
MB-79N ST  
PROFILE: K520020X  
THERMAL INSULATION; MEDIUM



Standard Threshold Detail  
MB-79N SI+  
PROFILE: K520020X  
THERMAL INSULATION; HIGH

**Note:** The Thermal Efficiency Varies Across These Three Profiles Due To The Thermal Insulation Within The Profiles.

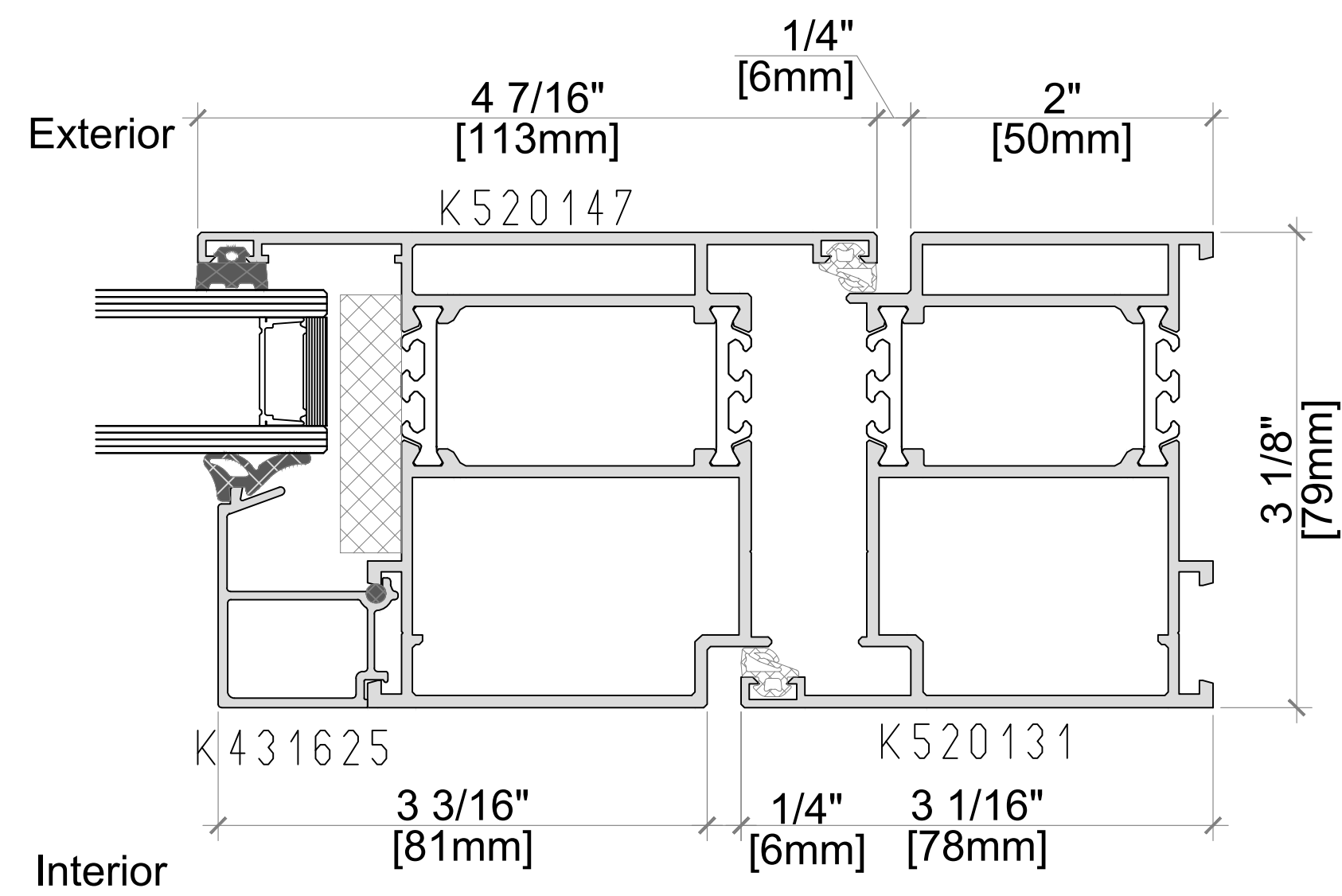
**Note:** Available in Double & Triple Glazed

# ALUPROF 79mm Product Guide

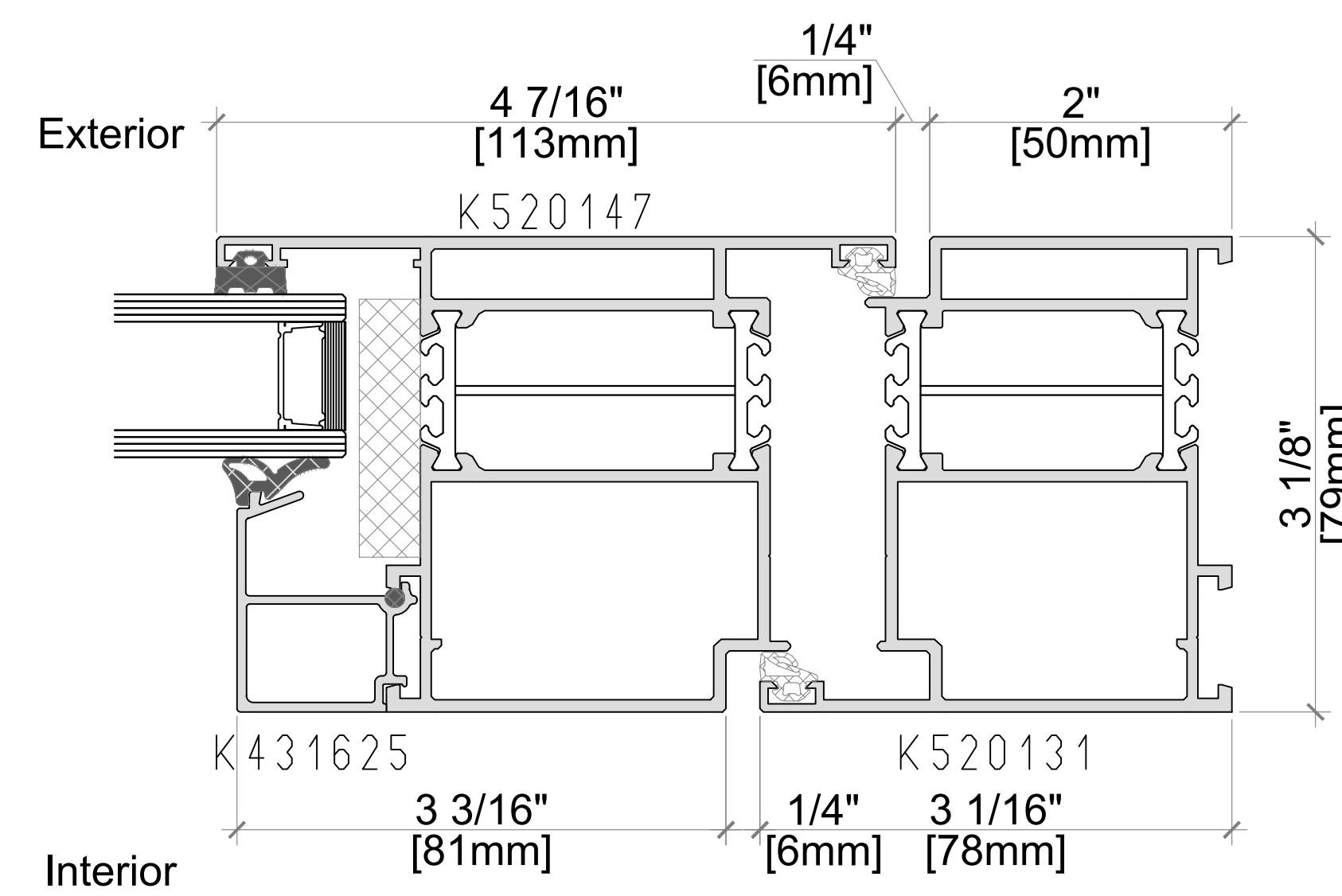
MB-79N; Thermally Insulated Commercial Door Profile Options

A M B E R L I N E

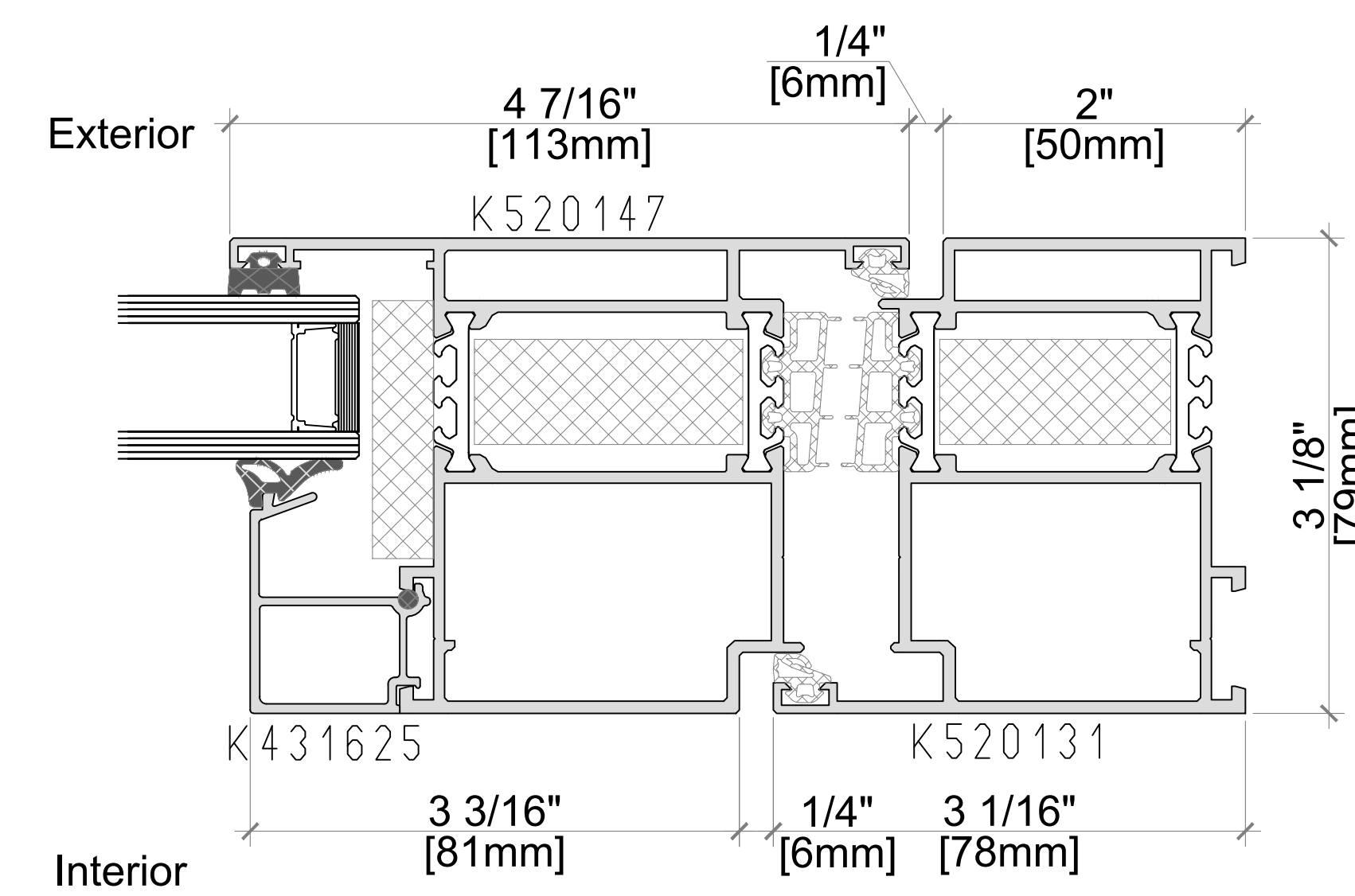
HIGH PERFORMANCE WINDOWS AND DOORS



Jamb Detail - MB-79N E

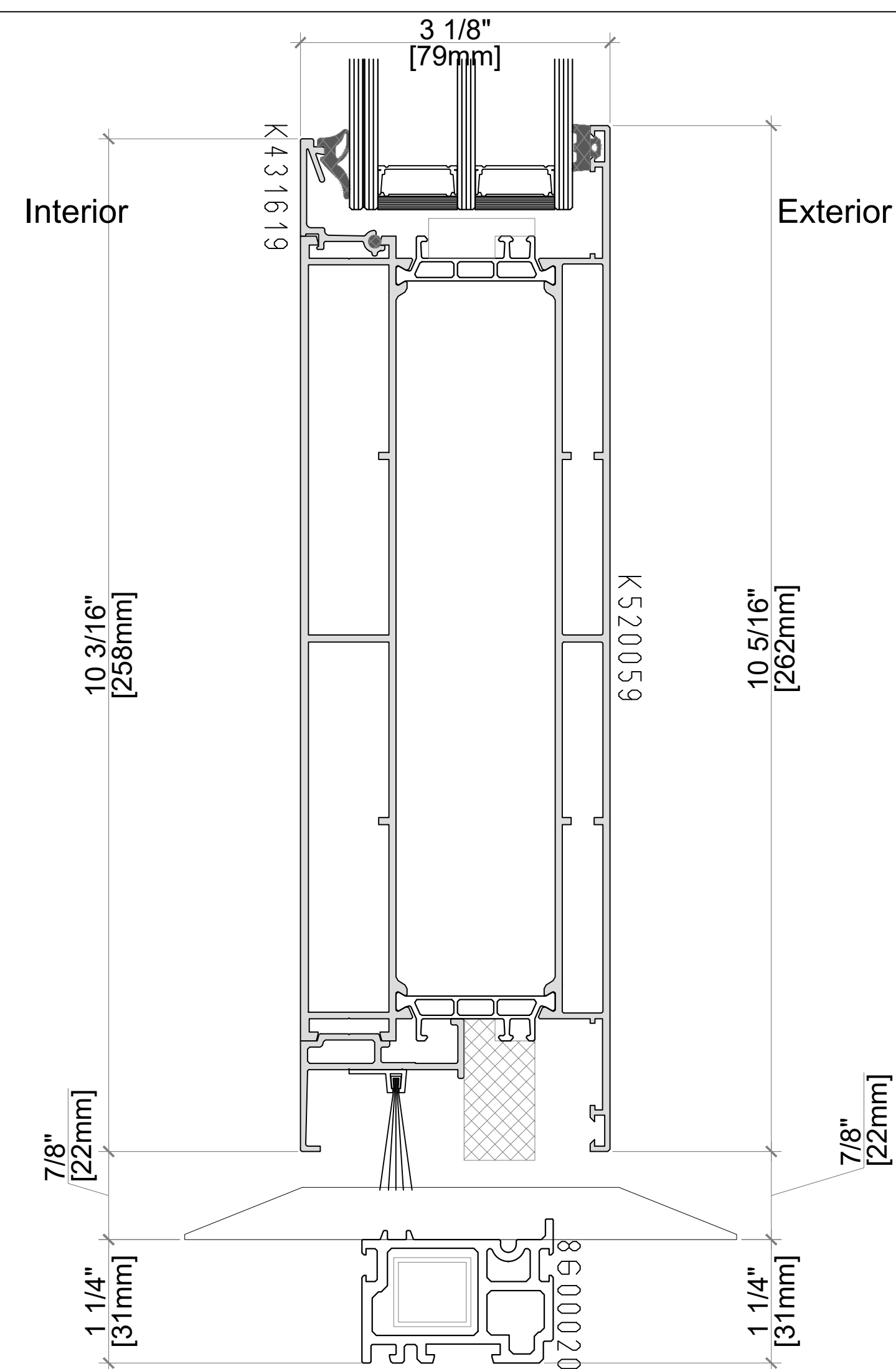
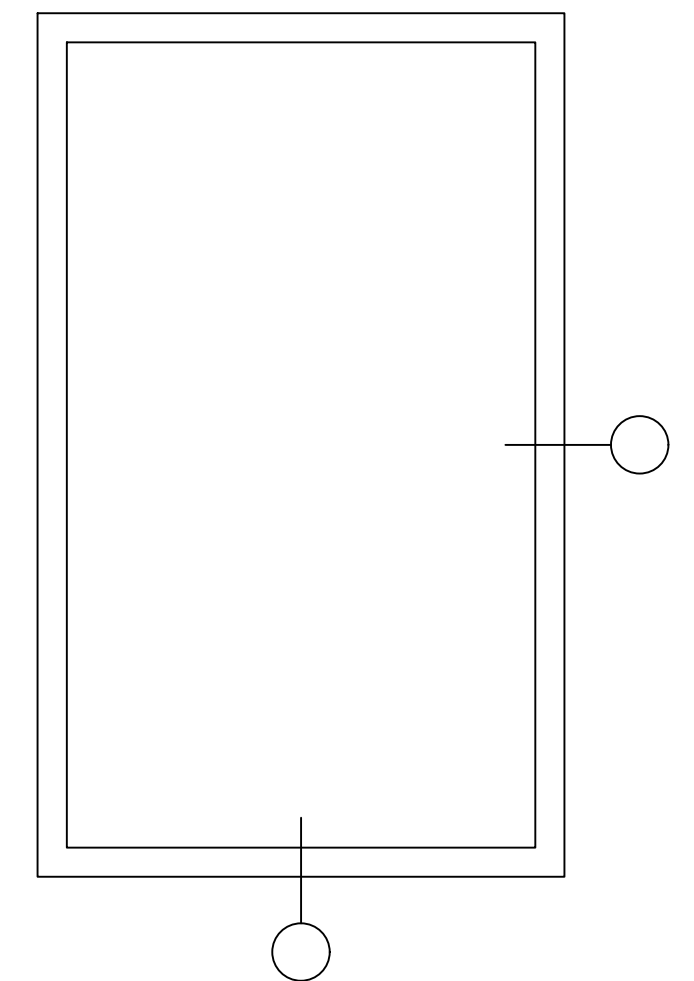


Jamb Detail - MB-79N ST

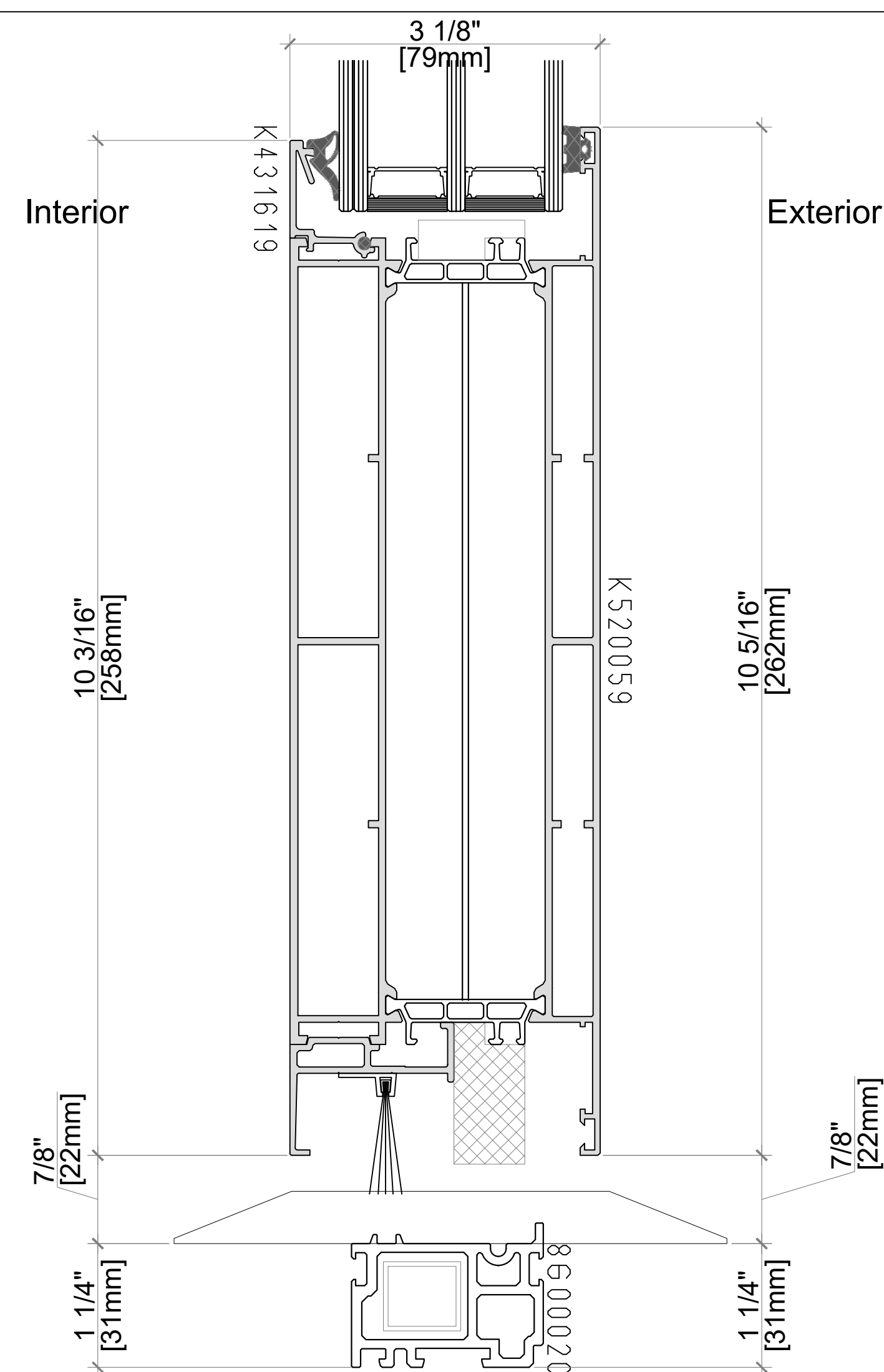


Jamb Detail - MB-79N SI

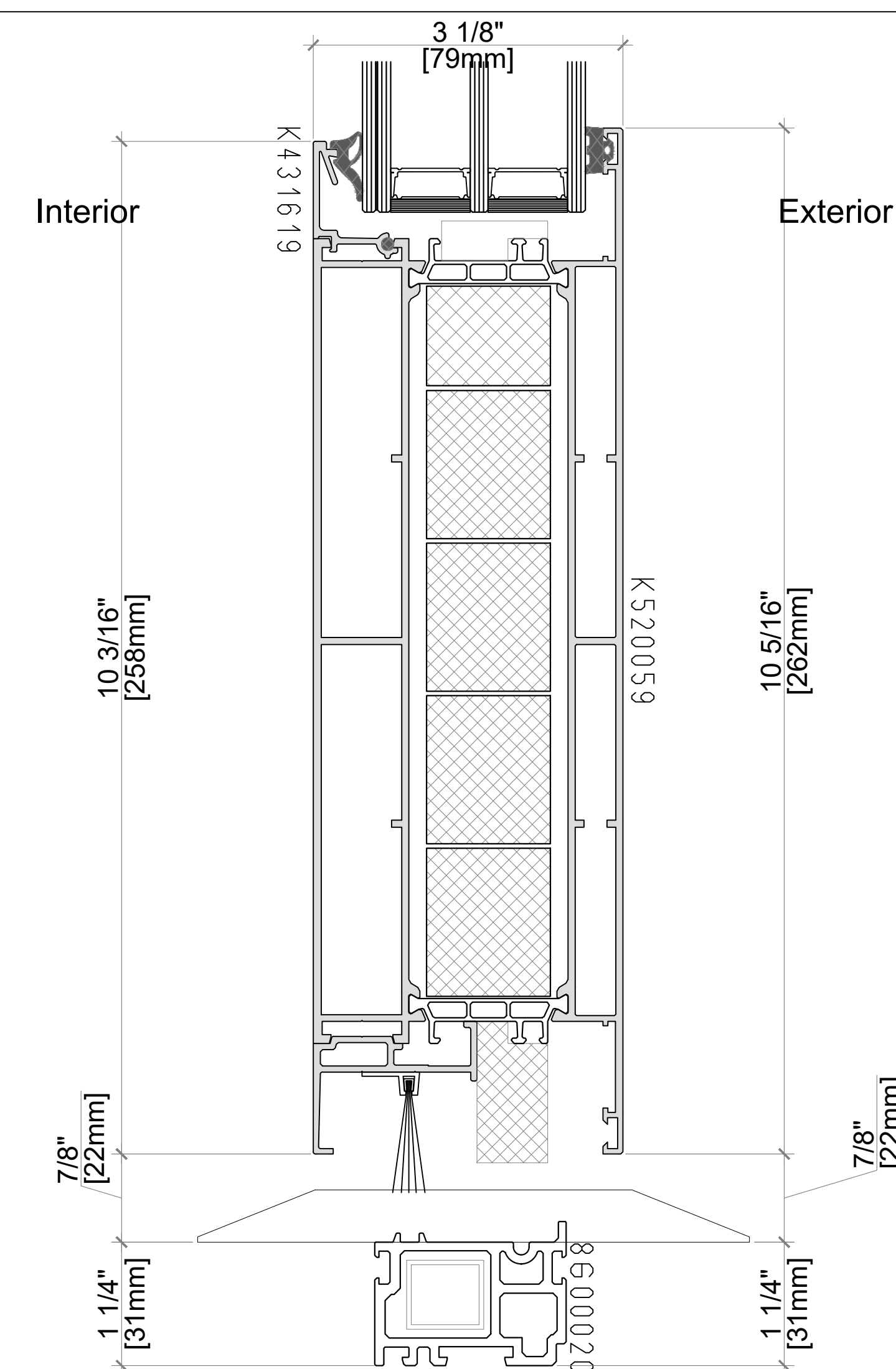
Elevation key:



Standard Threshold Detail  
 MB-79N E  
 PROFILE: K520059X  
 THERMAL INSULATION; LOW



Standard Threshold Detail  
 MB-79N ST  
 PROFILE: K520059X  
 THERMAL INSULATION; MEDIUM



Standard Threshold Detail  
 MB-79N SI+  
 PROFILE: K520059X  
 THERMAL INSULATION; HIGH

**Note:** The Thermal Efficiency Varies Across These Three Profiles Due To The Thermal Insulation Within The Profiles.

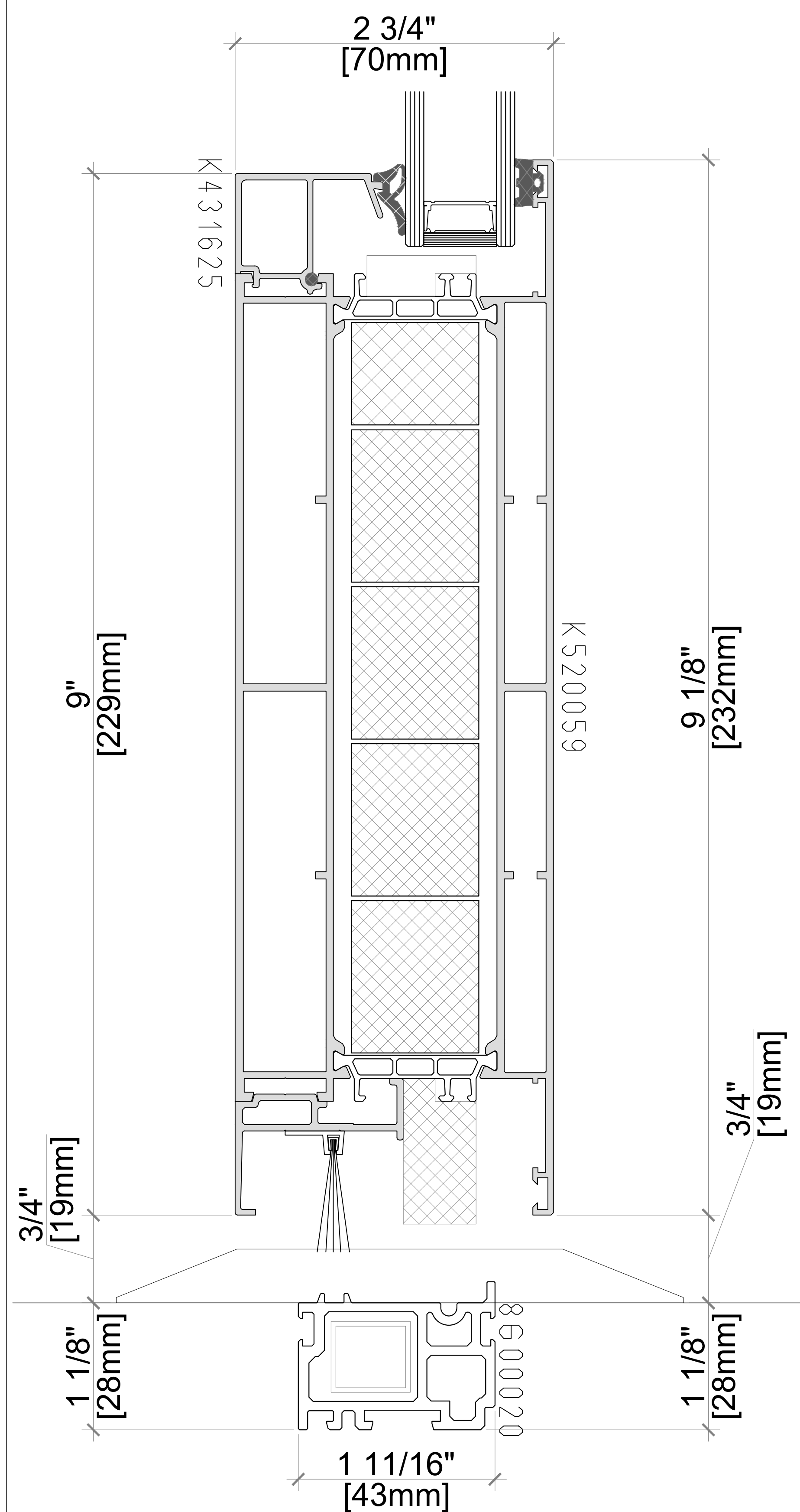
**Note:** Available in Double & Triple Glazed

# ALUPROF 79mm Product Guide

MB-79N; Threshold Options

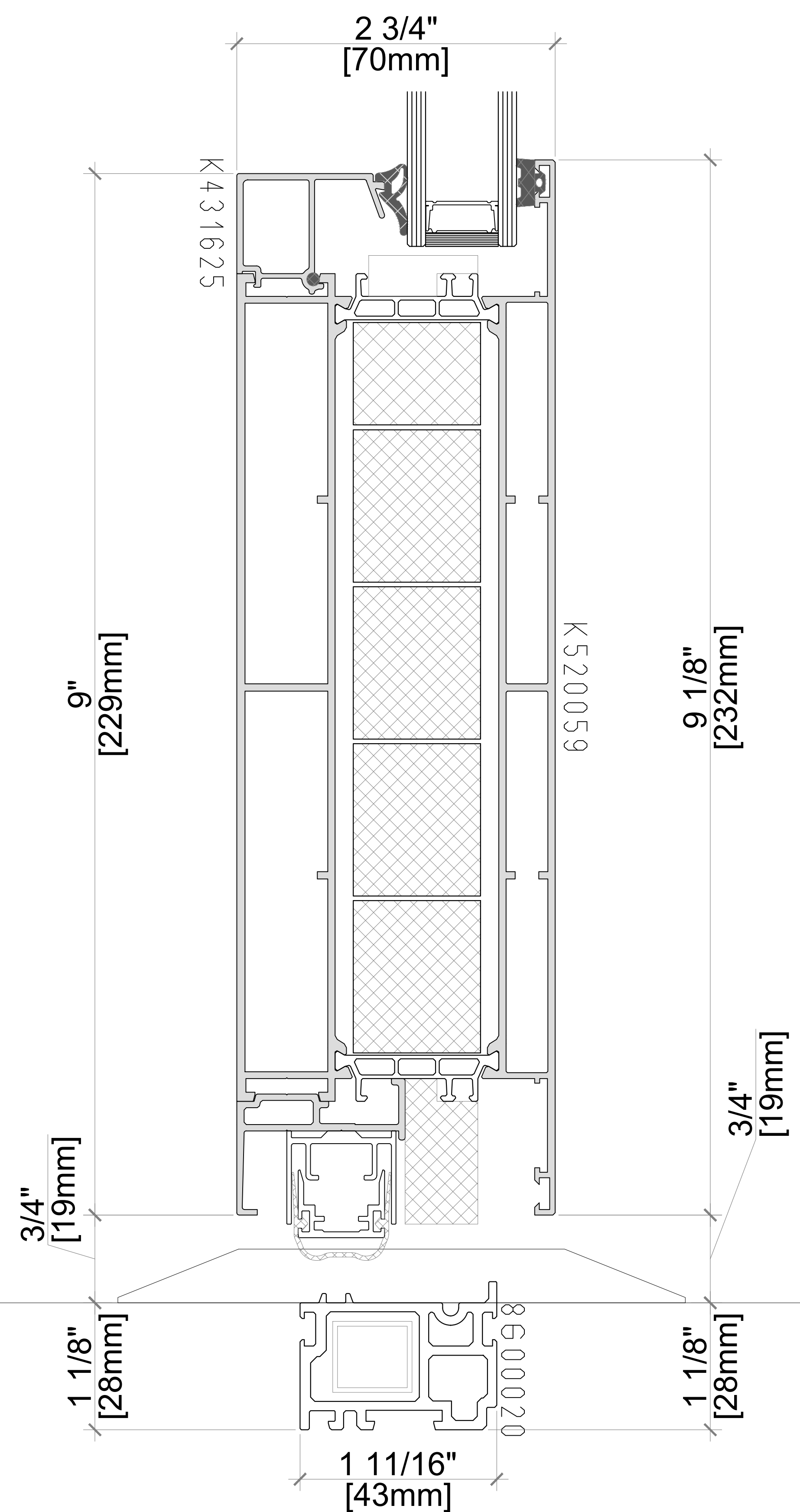
A M B E R L I N E

HIGH PERFORMANCE WINDOWS AND DOORS



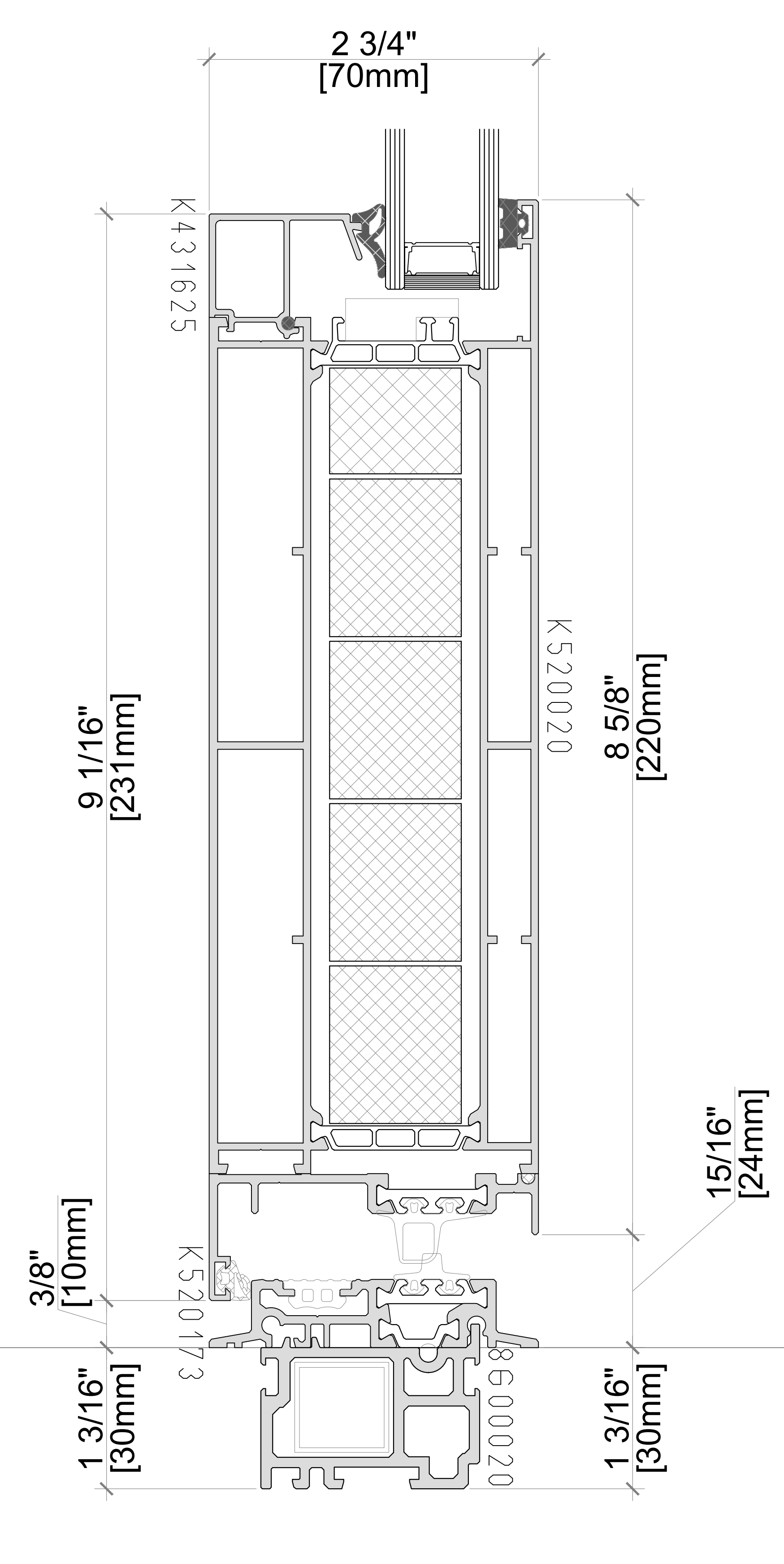
Standard ADA Threshold Detail  
With Brush Gasket and Sub Threshold

MB-79N SI  
PROFILE: K520059X



Standard ADA Threshold Detail  
With Drop Down Threshold

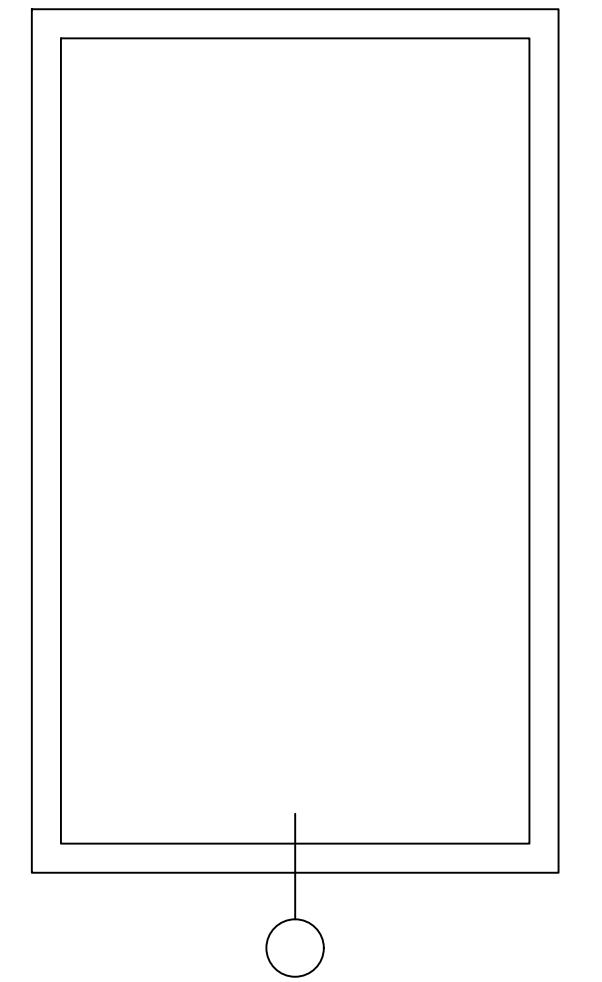
MB-79N SI  
PROFILE: K520059X



Standard Threshold Detail  
With Sub Threshold

MB-79N SI  
PROFILE: K520059X

Elevation key:





# ALUPROF 79mm Product Guide

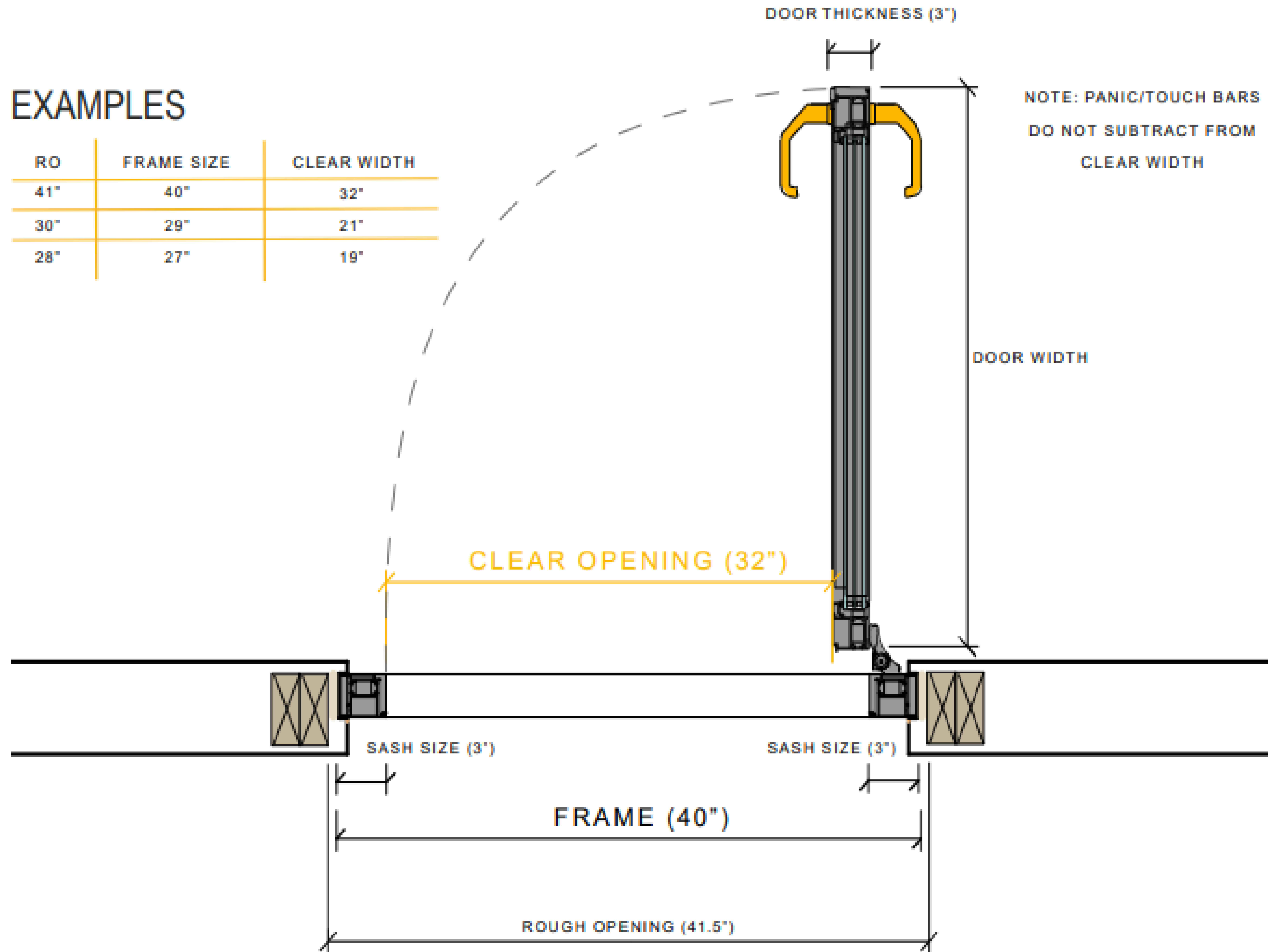
MB-79N; Door Operable Clear Opening

A M B E **R** L I N E

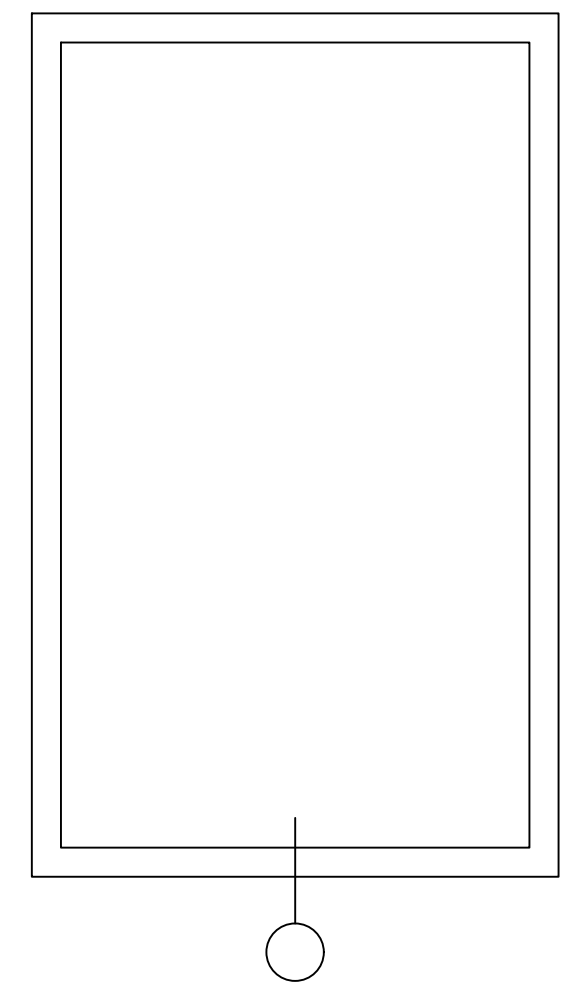
HIGH PERFORMANCE WINDOWS AND DOORS

## EXAMPLES

RO	FRAME SIZE	CLEAR WIDTH
41"	40"	32"
30"	29"	21"
28"	27"	19"



Elevation key:



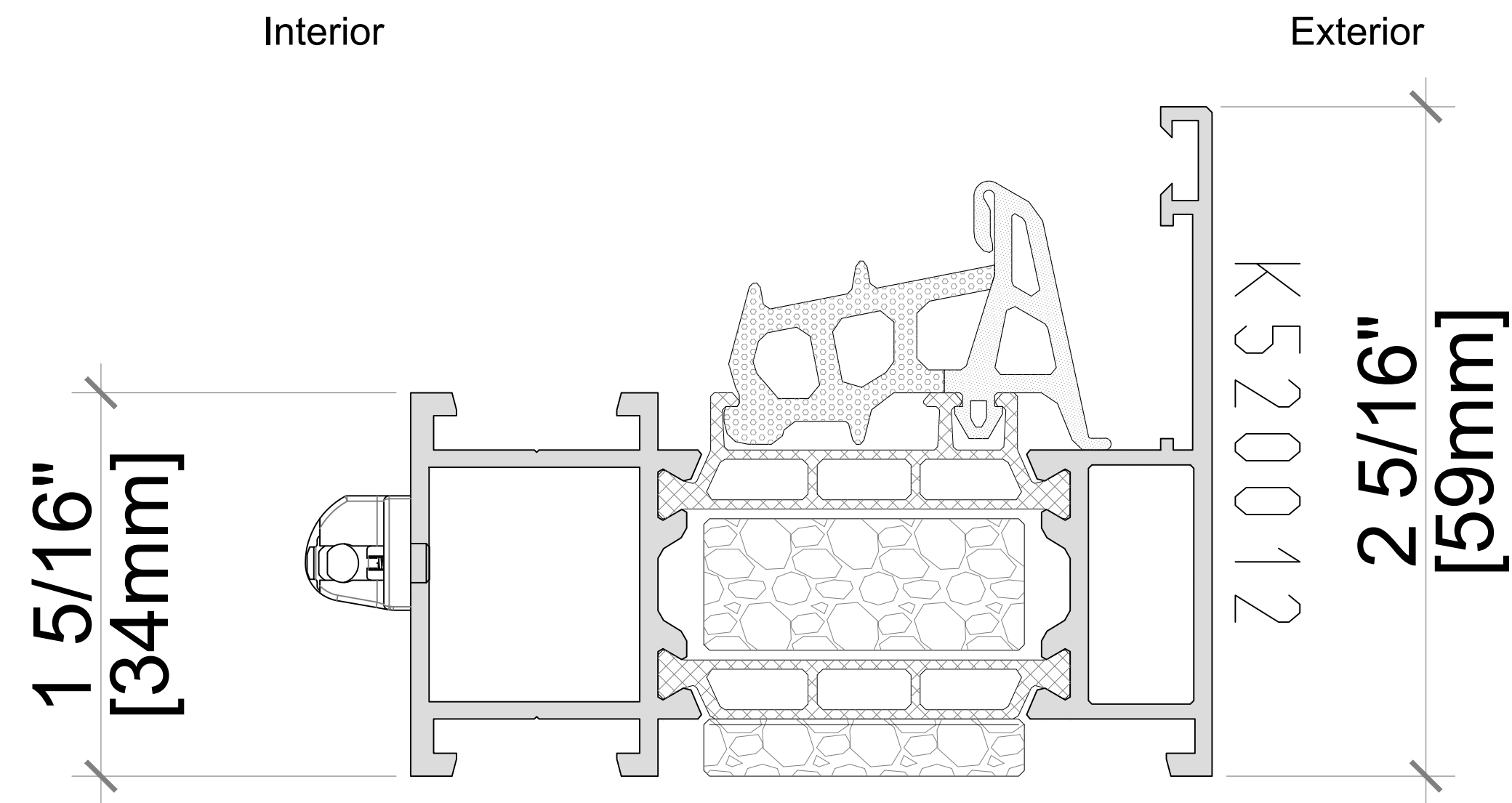
## ALUPROF MB79mm: Windows

# ALUPROF 79mm Product Guide

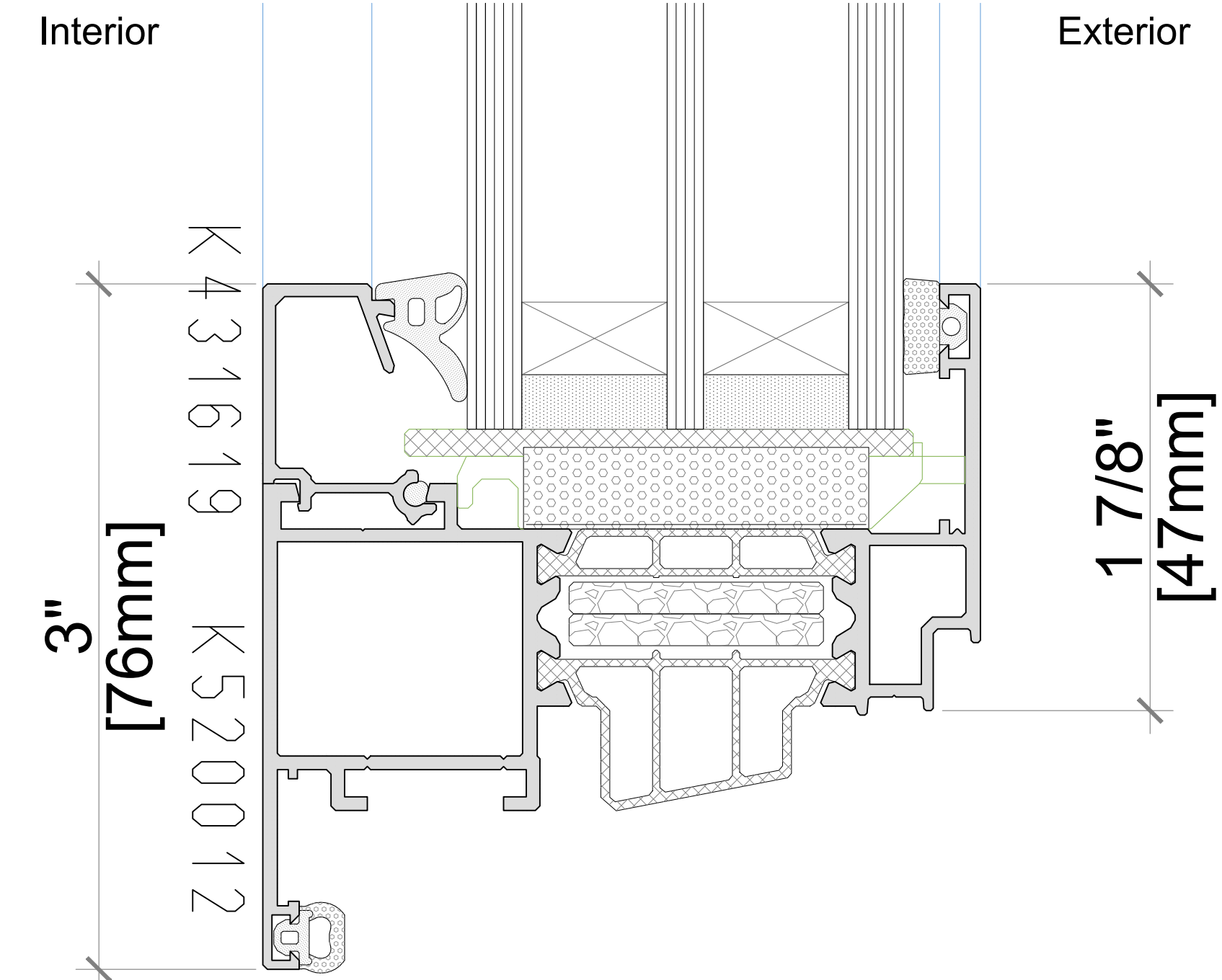
MB-79N; Window Profile Anatomy

A M B E R L I N E

HIGH PERFORMANCE WINDOWS AND DOORS

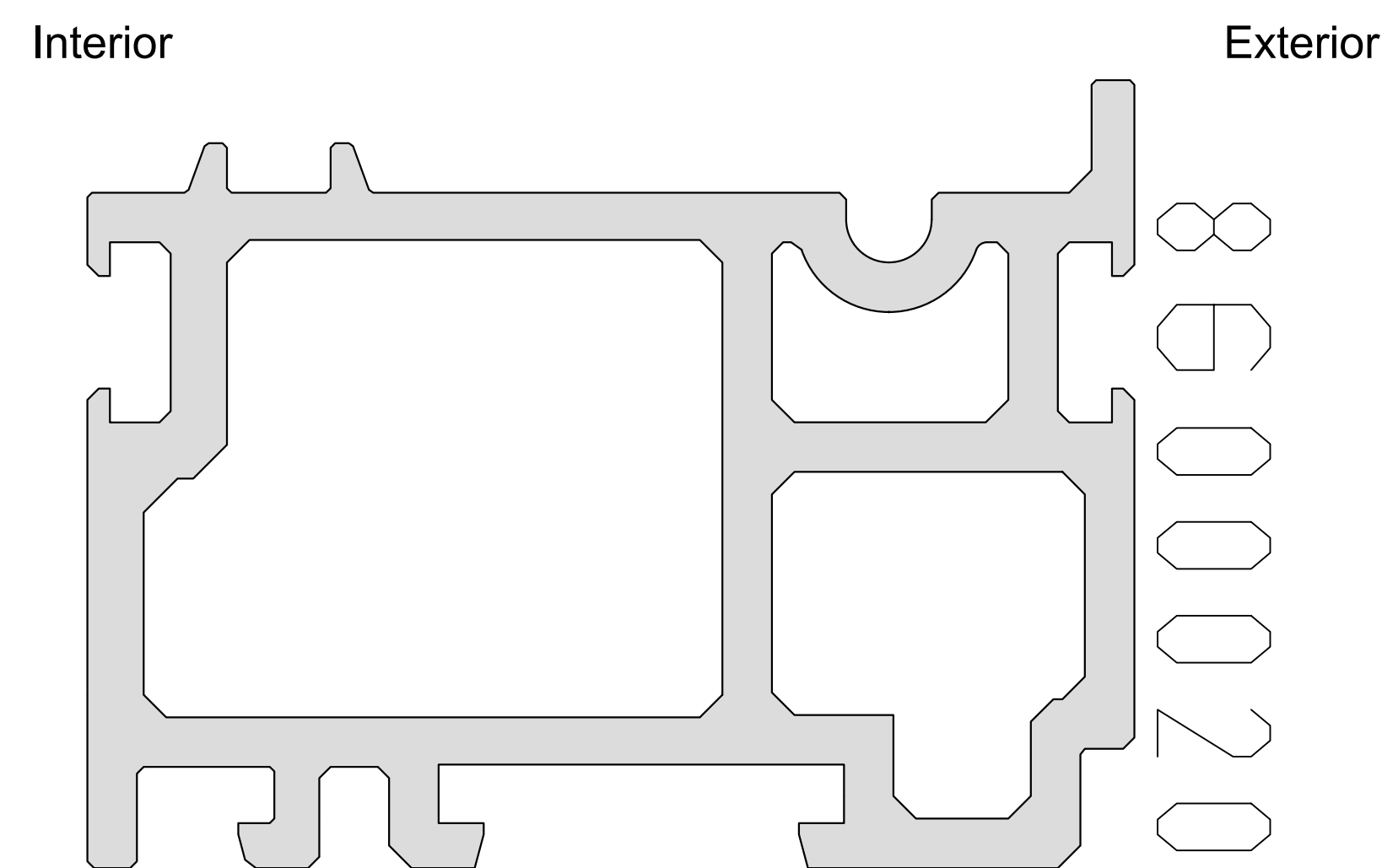
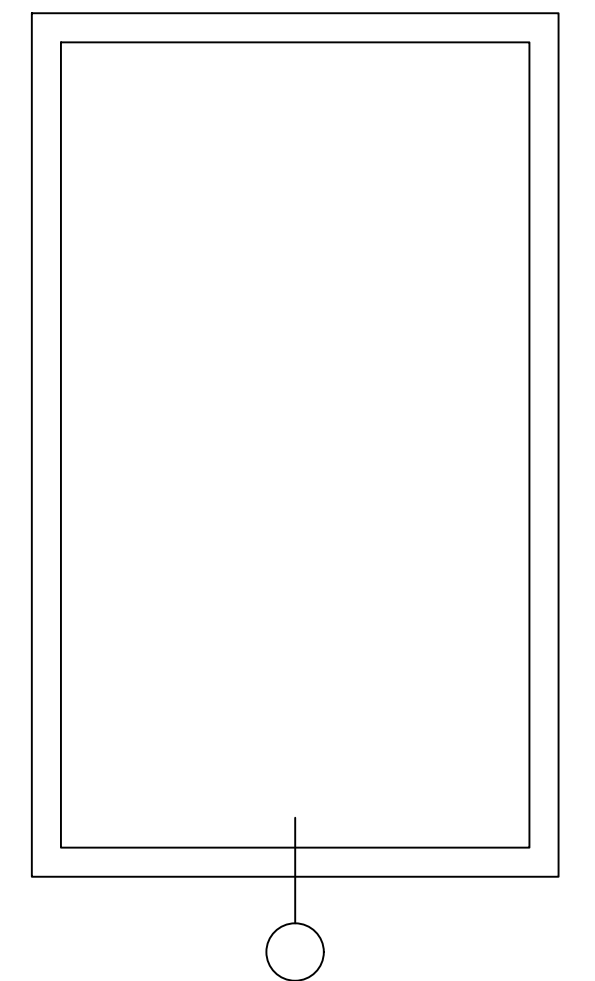


**FRAME:**  
ACTS AS A STATIONARY FRAMEWORK  
AND HOLDS THE WINDOW INTO THE WALL  
OF THE BUILDING



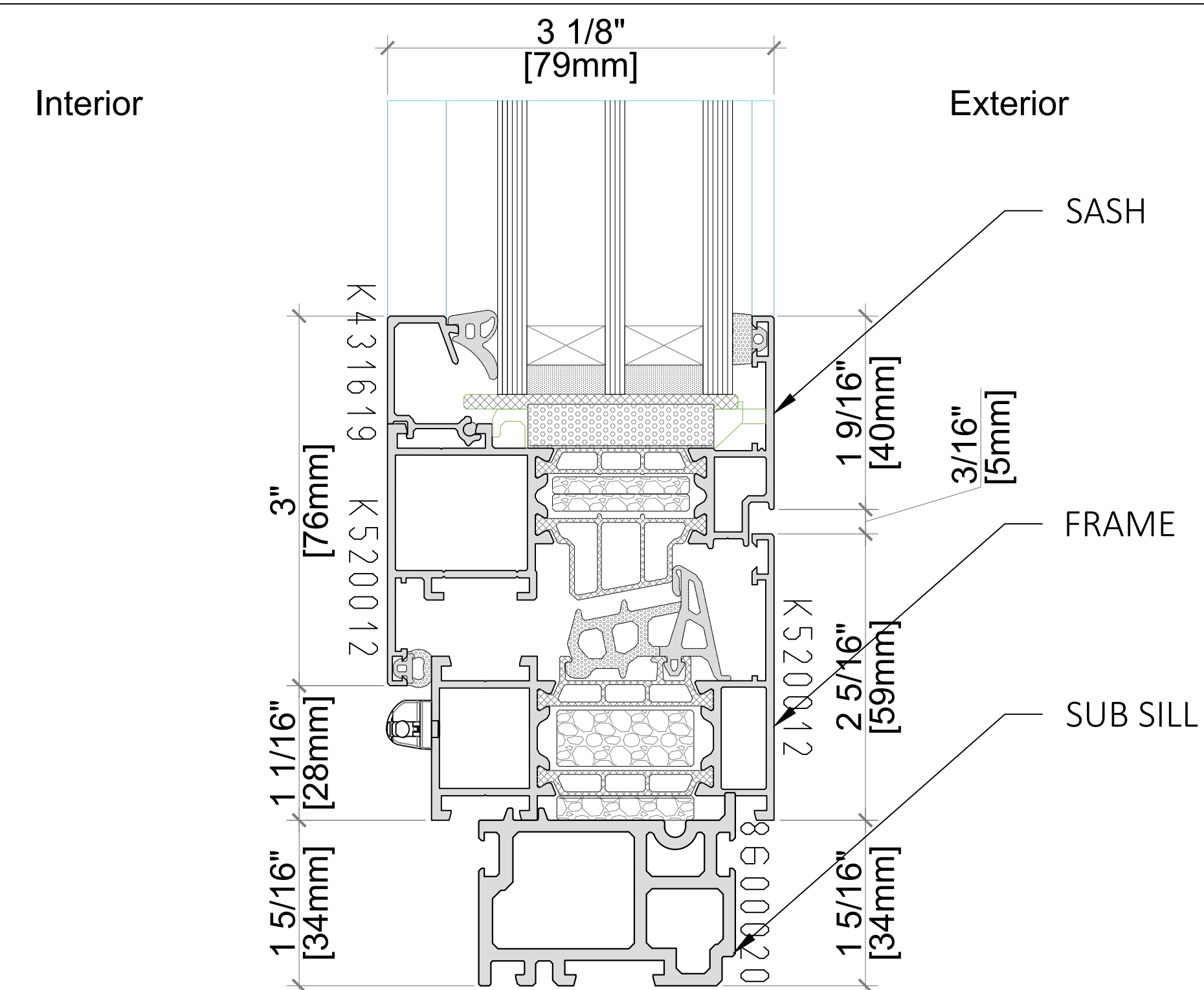
**SASH:**  
HOLDS THE PANES OF GLASS AND  
ALLOWS THE WINDOW TO OPERATE AND  
HOLD OPEN WINDOWS

Elevation key:



**SUB SILL:**  
ACTS AS A FRAME EXTENSION FOR THE  
BOTTOM OF THE WINDOW

**NOTE:**  
Sub Sill is Only for the Bottom of the Window  
and Not the Head or Jamb of the Window



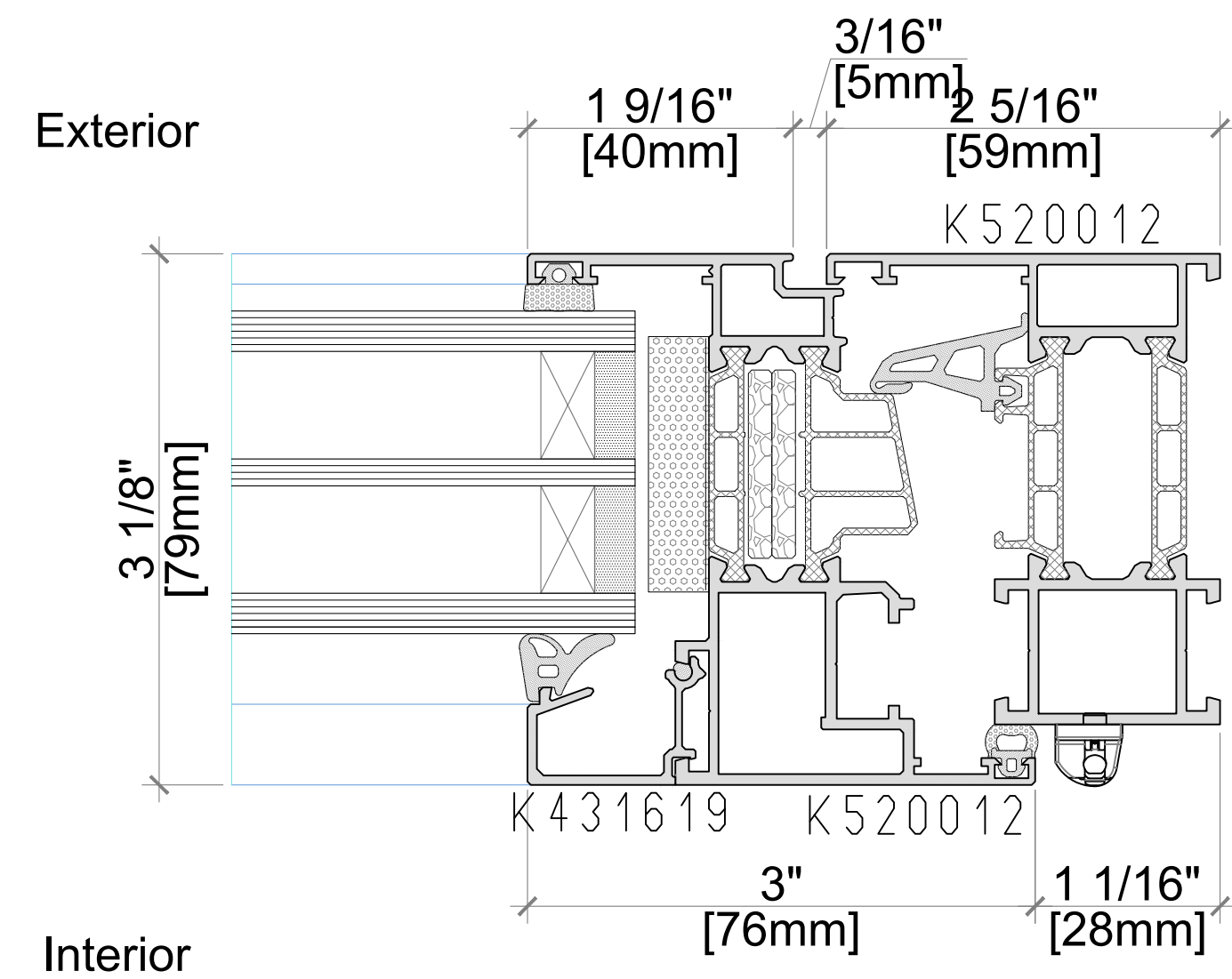
**MB79 PROFILE:**  
THE SASH AND FRAME CONNECTED TO  
MAKE THE WINDOW PROFILE

**Note:** Sub Sill is Only for the  
Bottom of the Window and  
Not the Head or Jamb of the  
Window

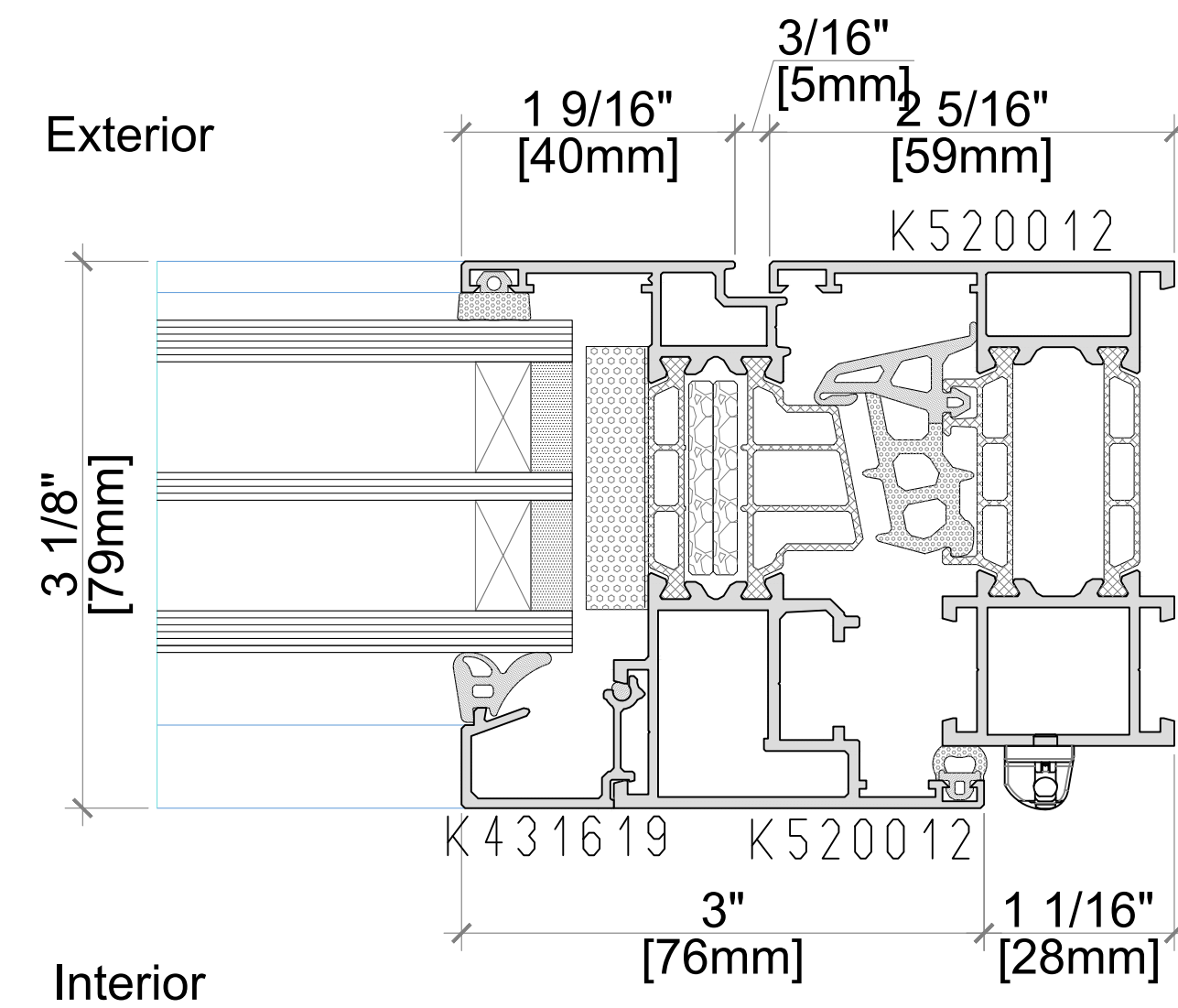
**Note:** Available in Double &  
Triple Glazed

# ALUPROF 79mm Product Guide

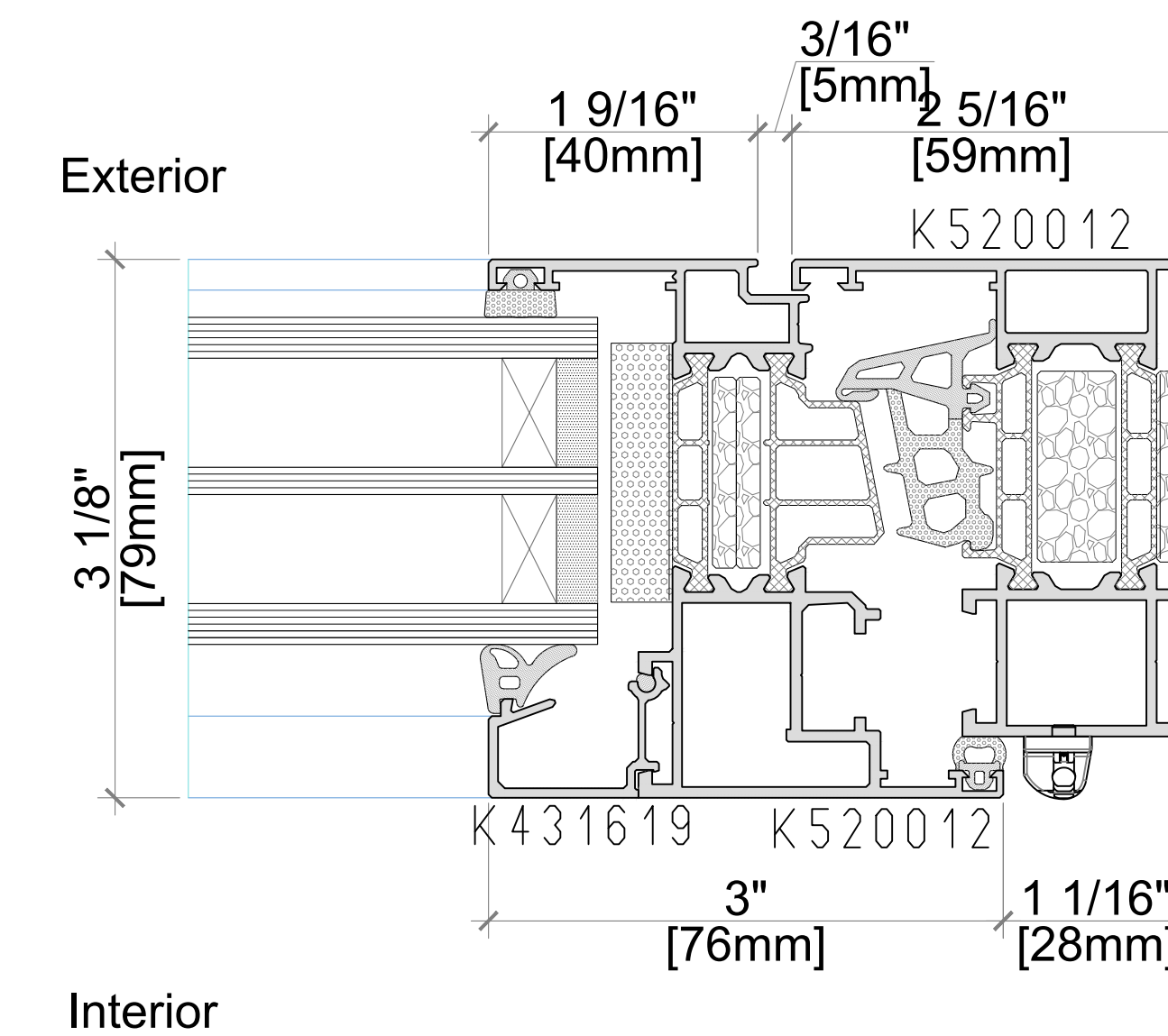
MB-79N; Thermally Insulated Operable Window Profile Options



Jamb Detail

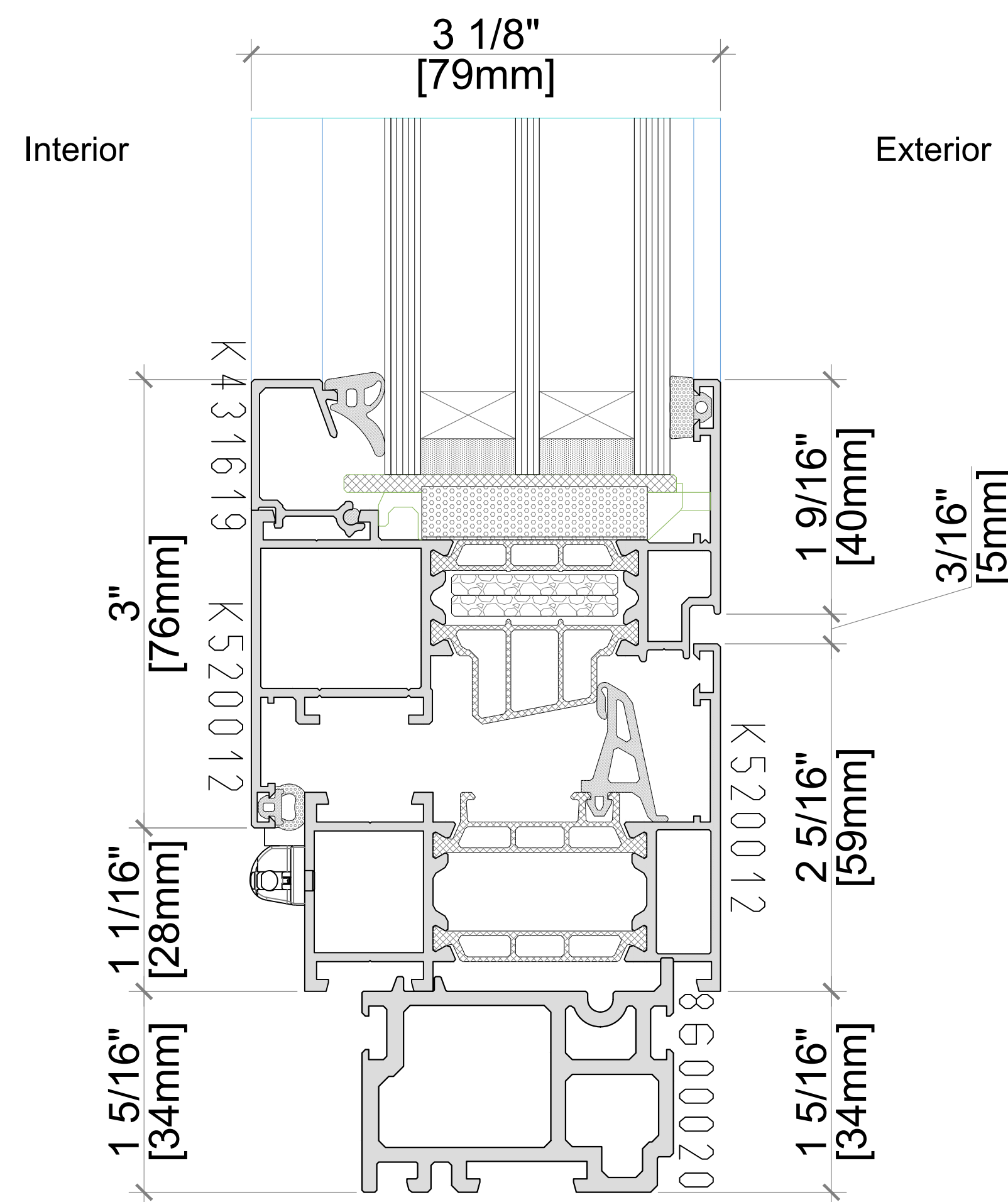
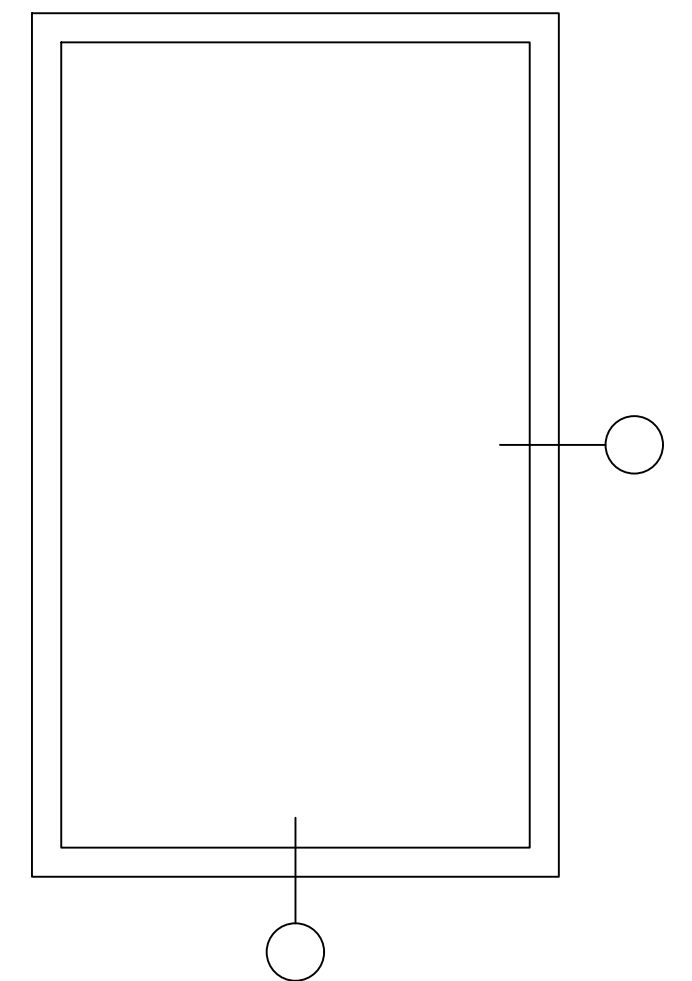


Jamb Detail

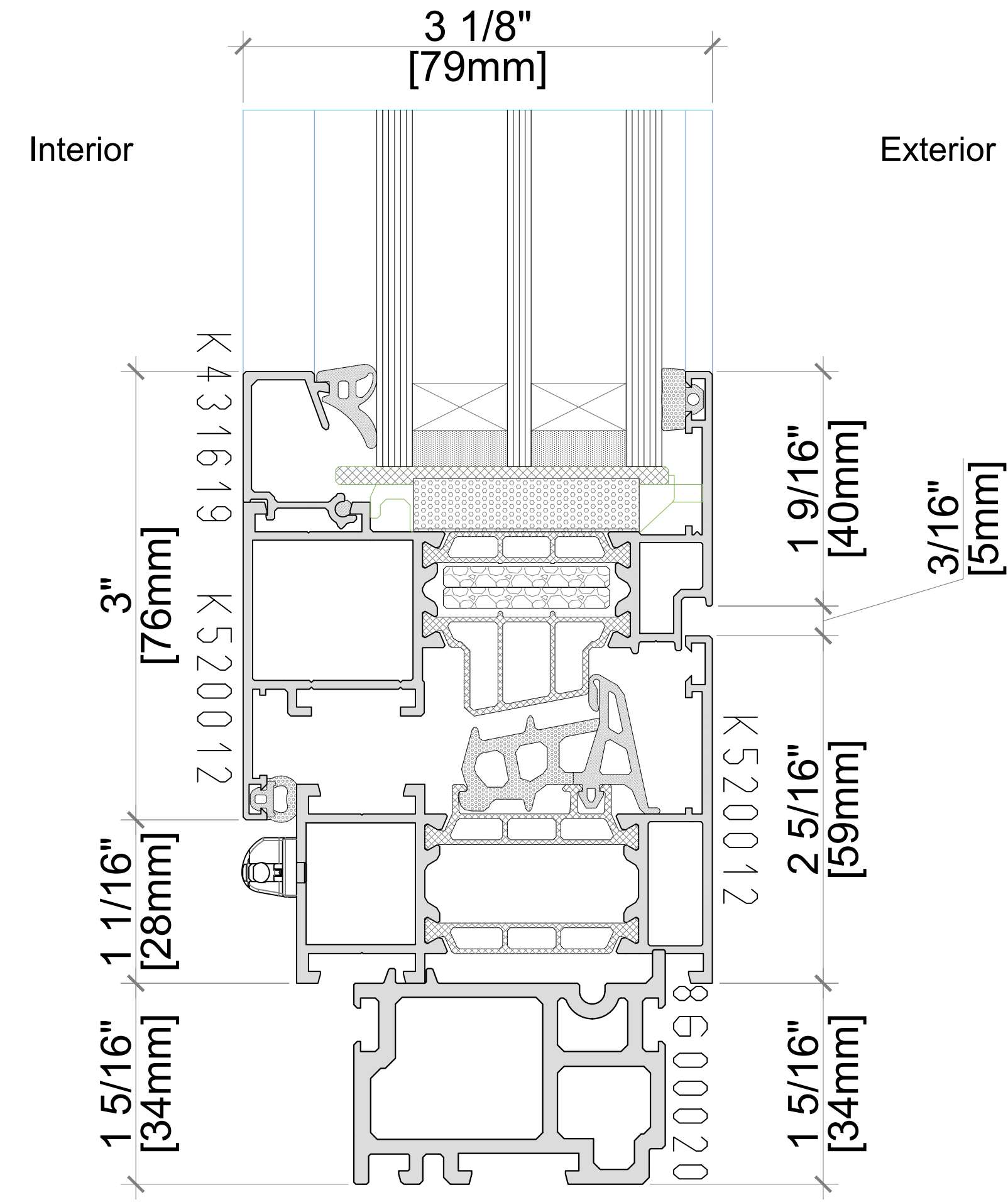


Jamb Detail

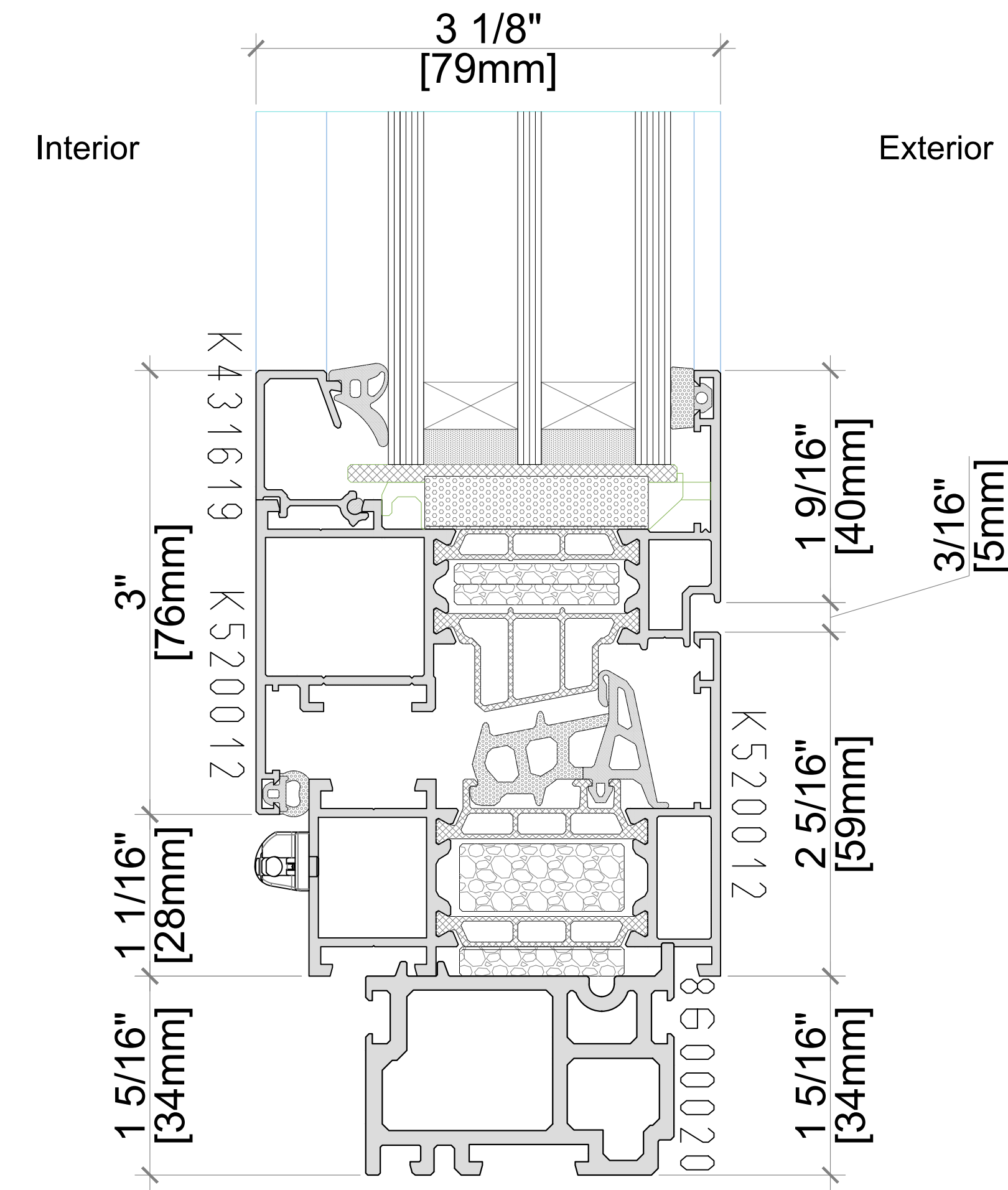
Elevation key:



Sill Detail



Sill Detail



Sill Detail

MB-79N E  
PROFILE: K520012X  
THERMAL INSULATION; LOW

MB-79N ST  
PROFILE: K520012X  
THERMAL INSULATION; MEDIUM

MB-79N SI  
PROFILE: K520012X  
THERMAL INSULATION; HIGH

**Note:** The Thermal Efficiency Varies Across These Three Profiles Due To The Thermal Insulation Within The Profiles.

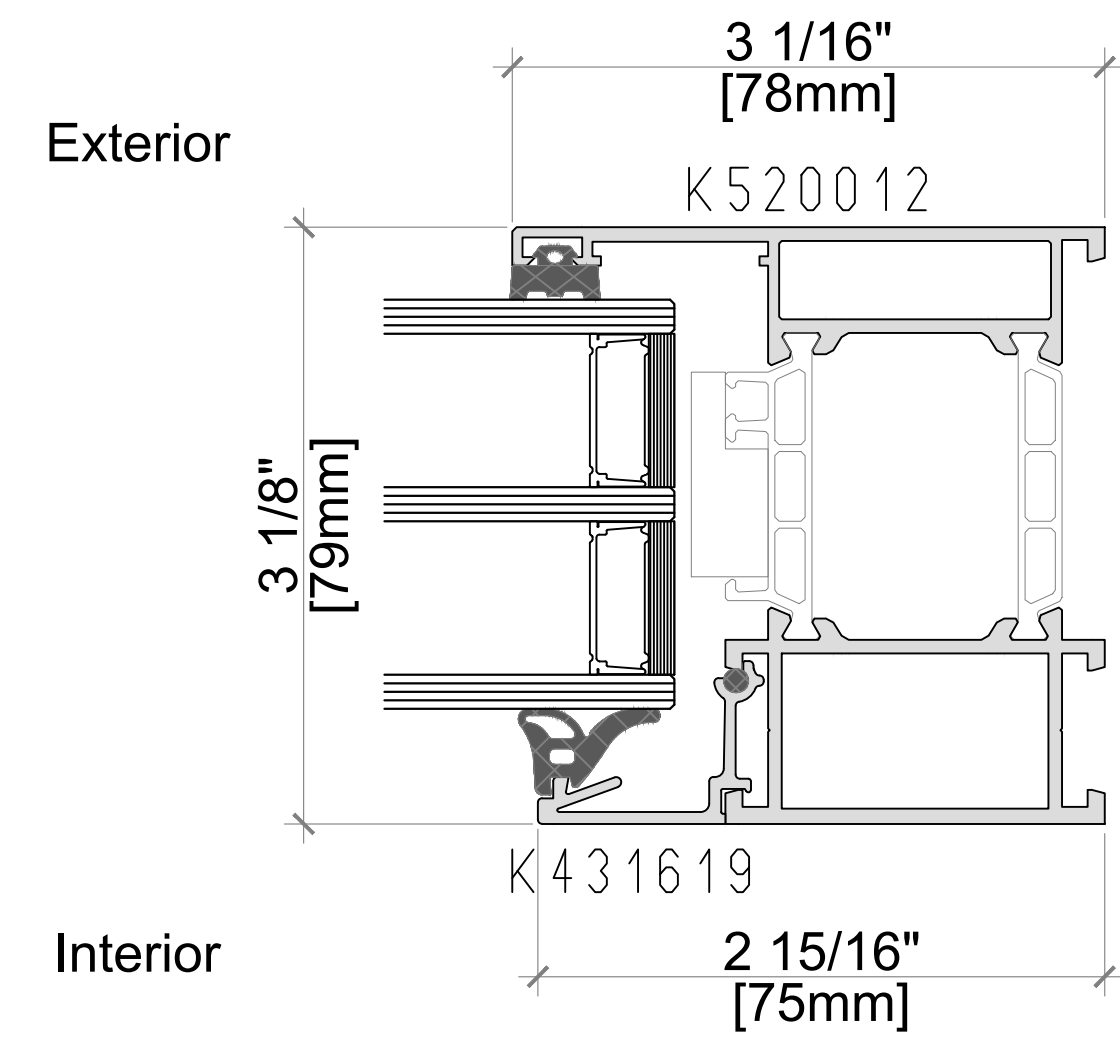
**Note:** Available in Double & Triple Glazed

# ALUPROF 79mm Product Guide

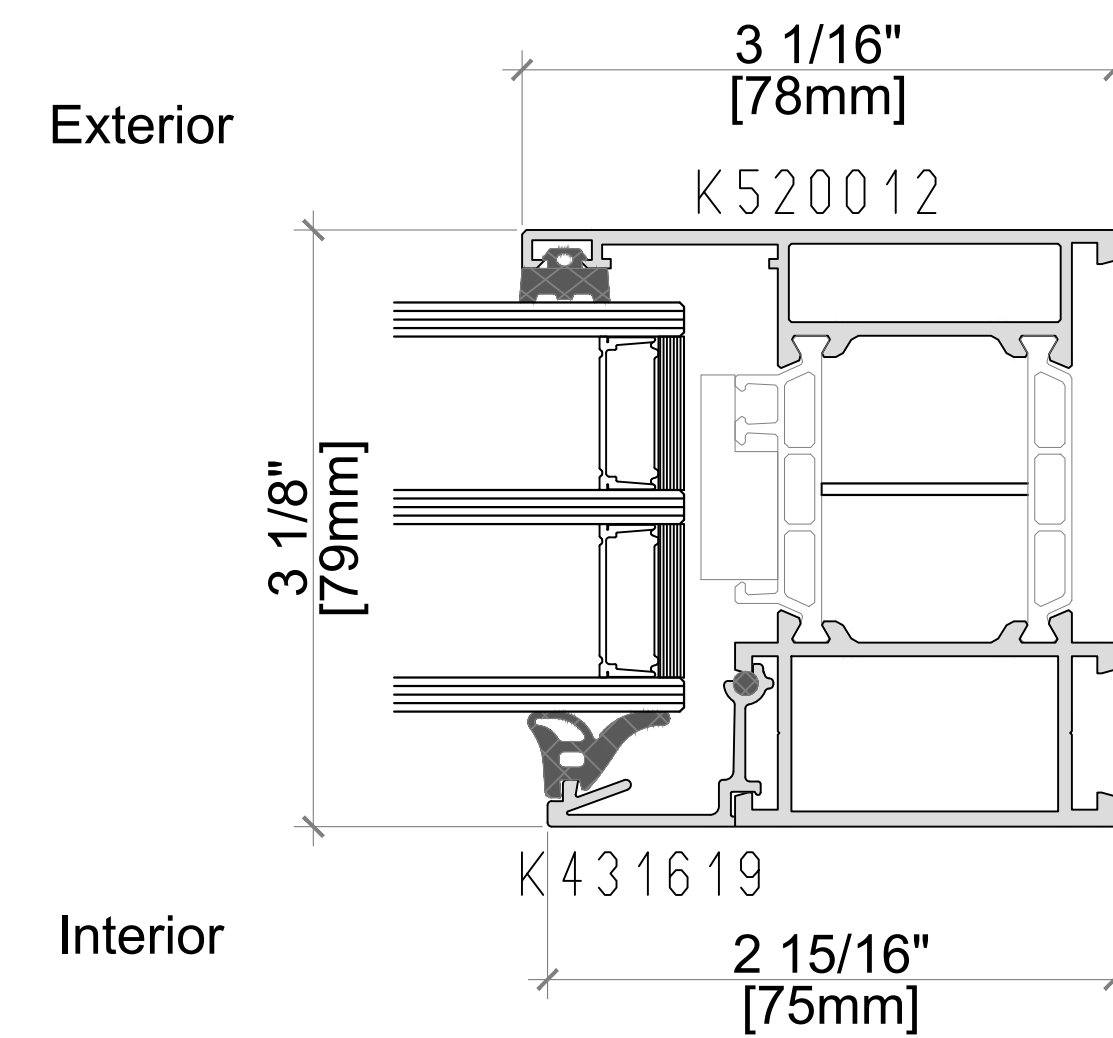
MB-79N; Thermally Insulated Fixed Window Profile Options

A M B E R L I N E

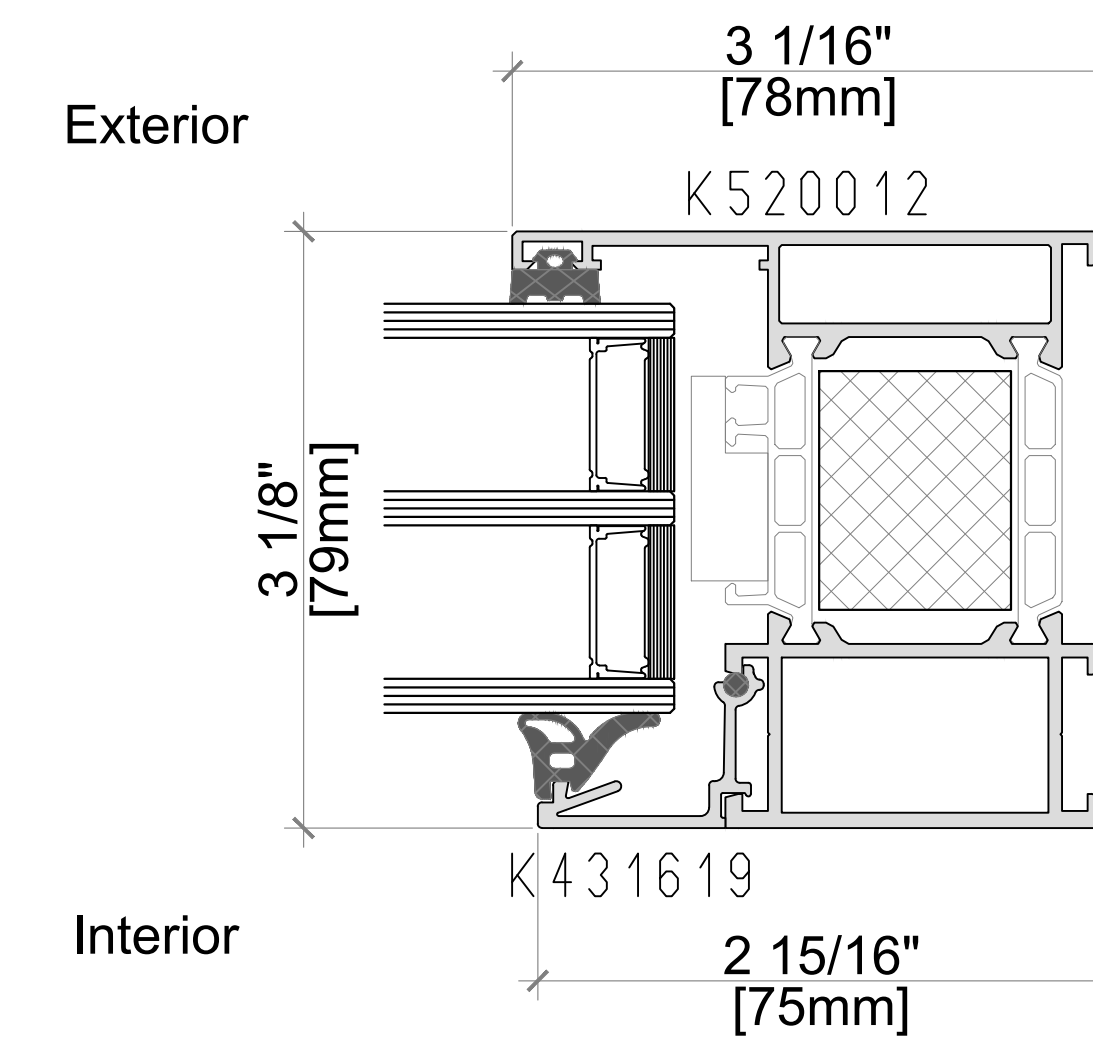
HIGH PERFORMANCE WINDOWS AND DOORS



Jamb Detail - MB-79N E

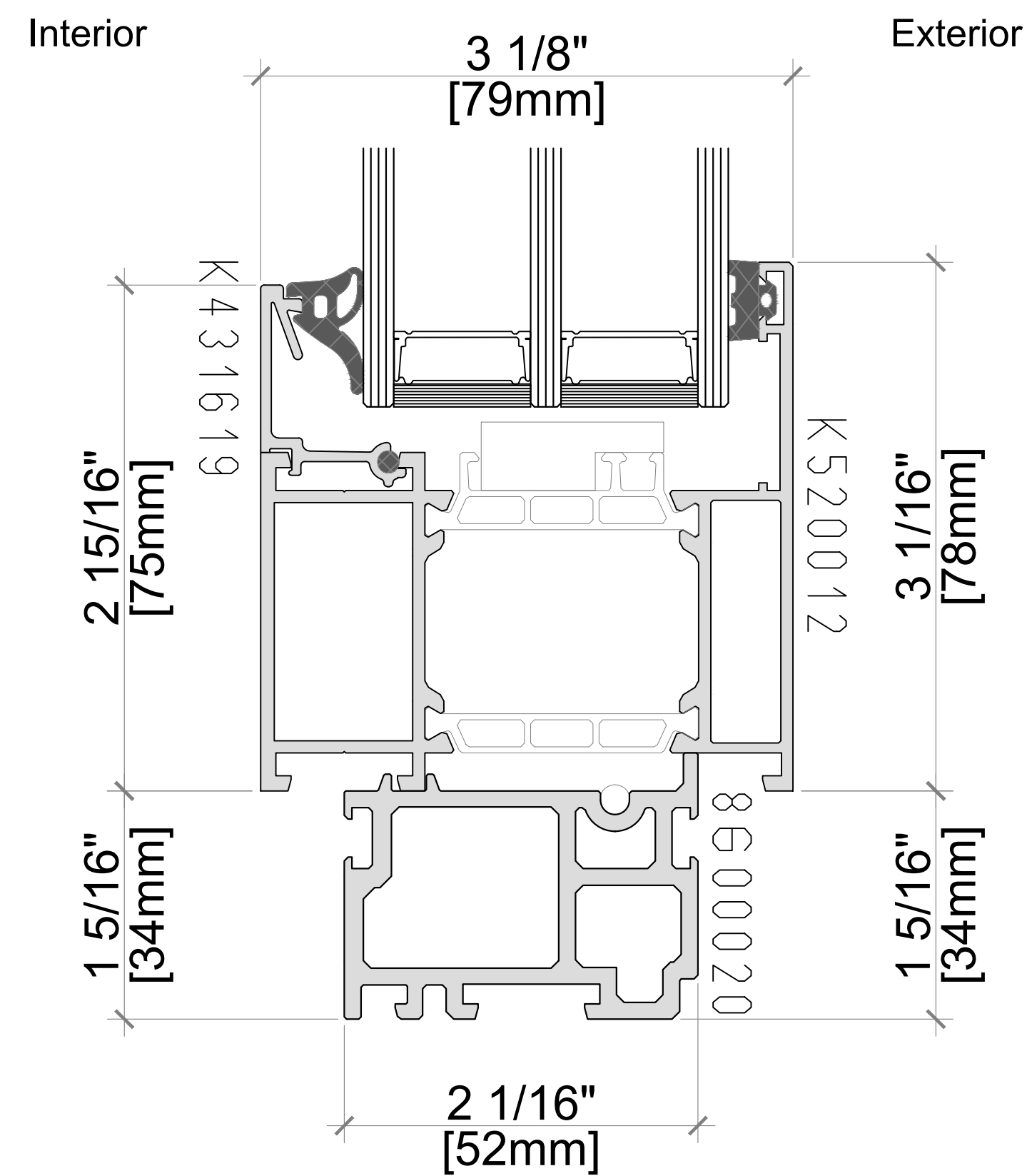
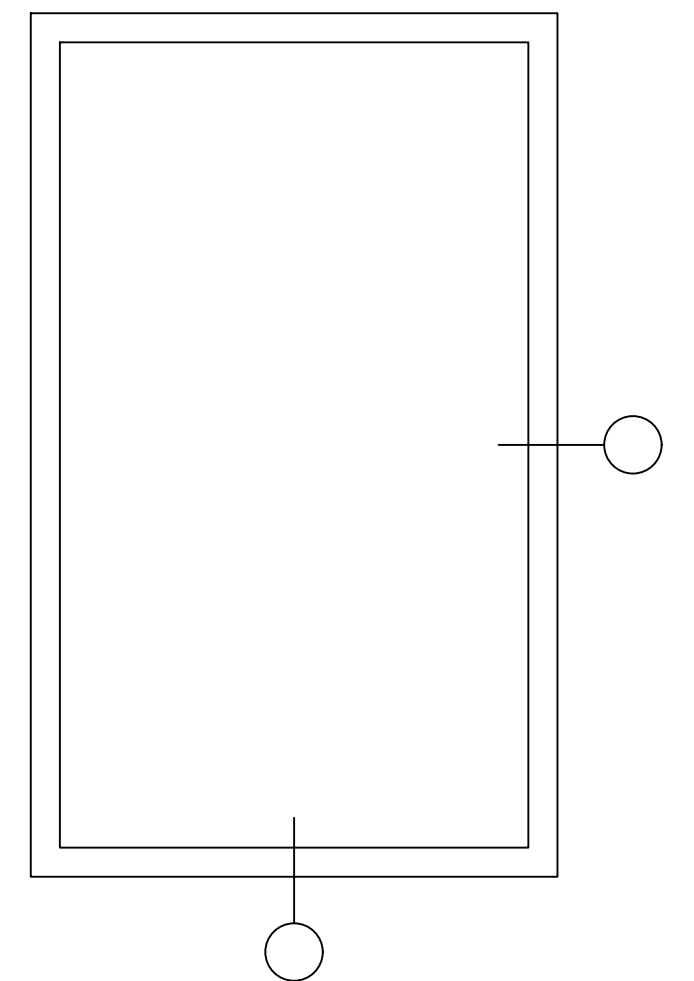


Jamb Detail - MB-79N ST



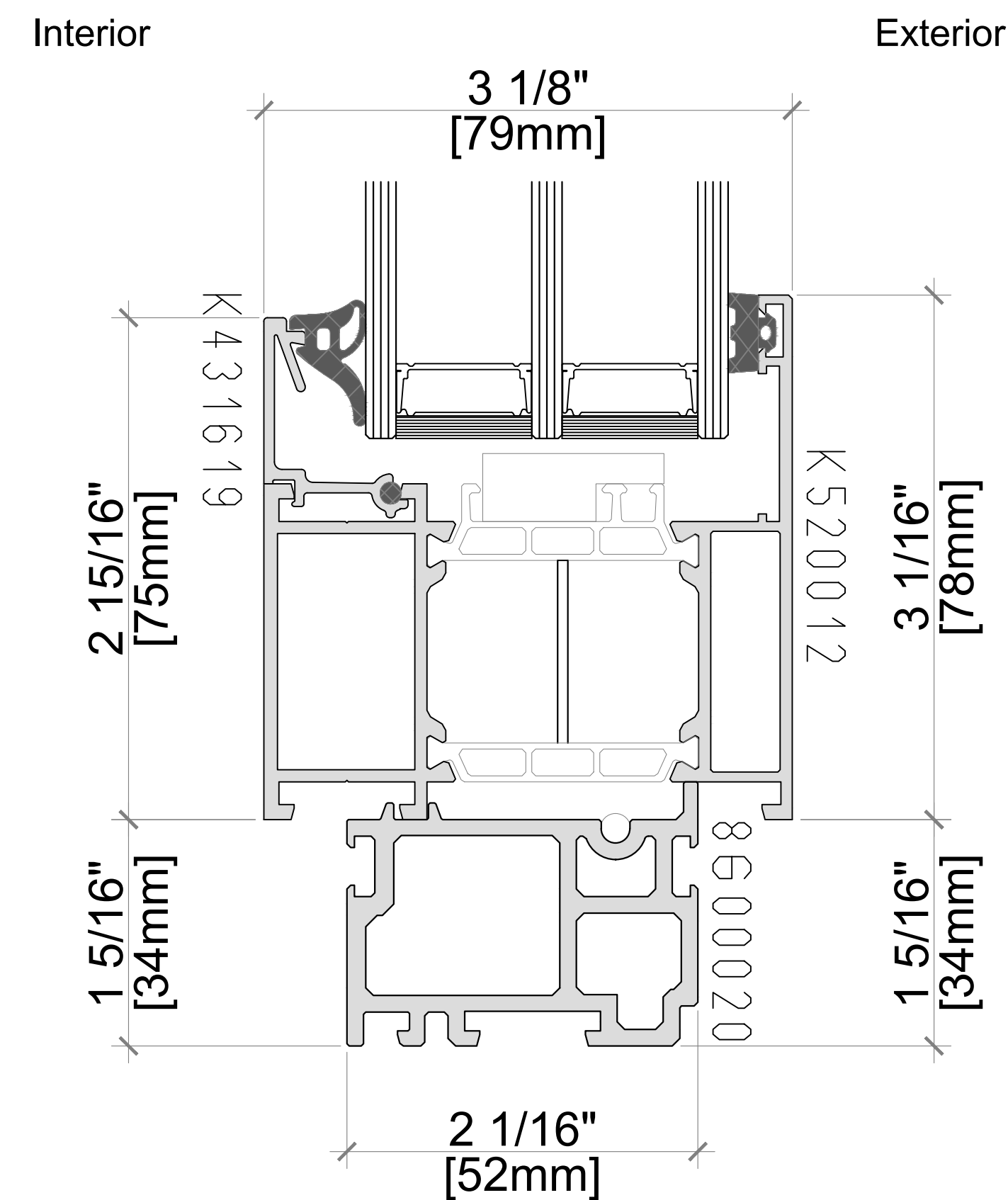
Jamb Detail - MB-79N SI

Elevation key:



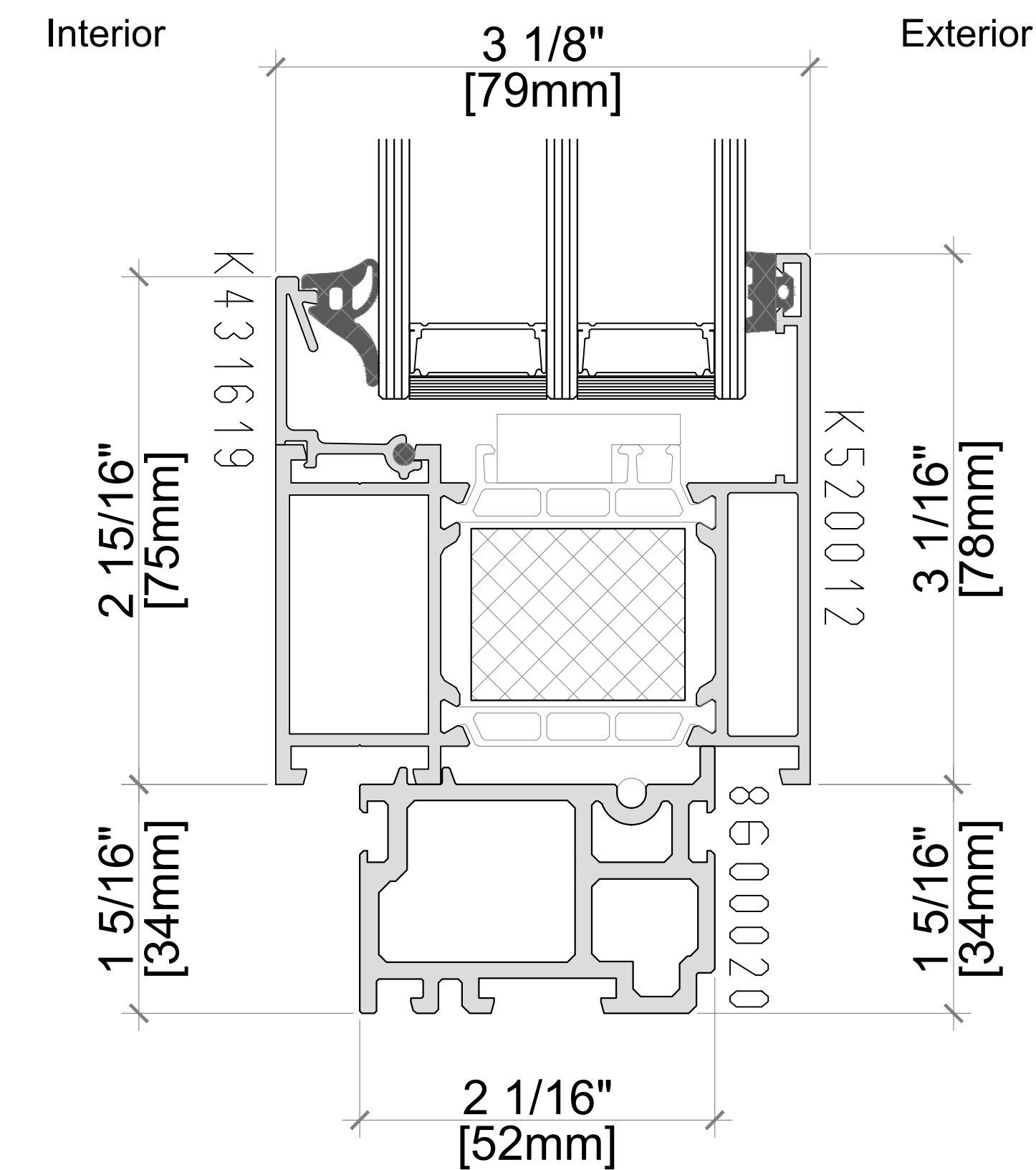
Fixed Window -  
Standard Threshold Detail

MB-79N E  
 PROFILE: K520012X  
 THERMAL INSULATION; LOW



Fixed Window -  
Standard Threshold Detail

MB-79N ST  
 PROFILE: K520012X  
 THERMAL INSULATION; MEDIUM



Fixed Window -  
Standard Threshold Detail

MB-79N SI+  
 PROFILE: K520012X  
 THERMAL INSULATION; HIGH

**Note:** The Thermal Efficiency Varies Across These Three Profiles Due To The Thermal Insulation Within The Profiles.

**Note:** Available in Double & Triple Glazed

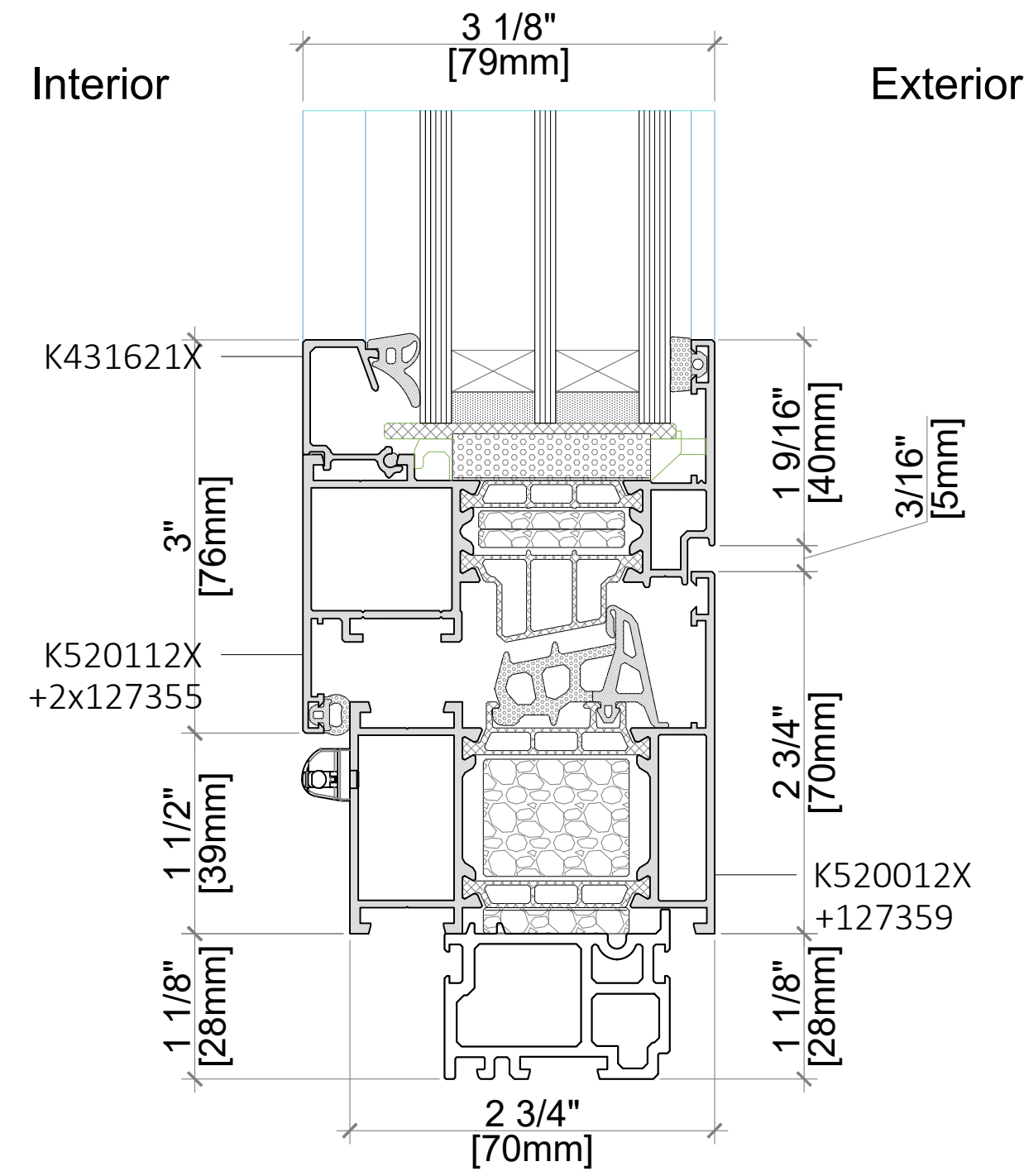
# ALUPROF 79mm Product Guide

MB-79N; Operable Window Profiles

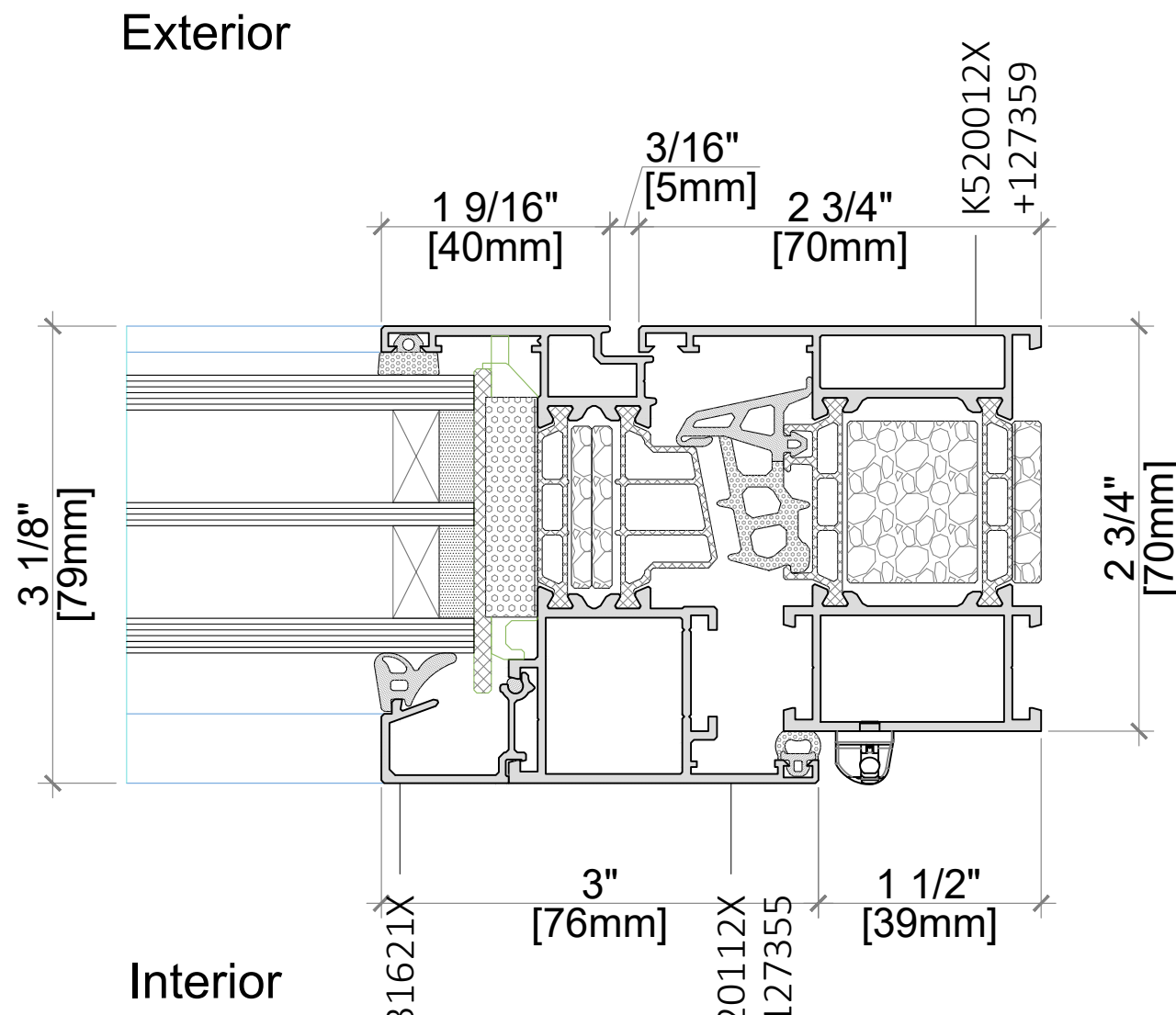
A M B E R L I N E

HIGH PERFORMANCE WINDOWS AND DOORS

## SILL DETAIL

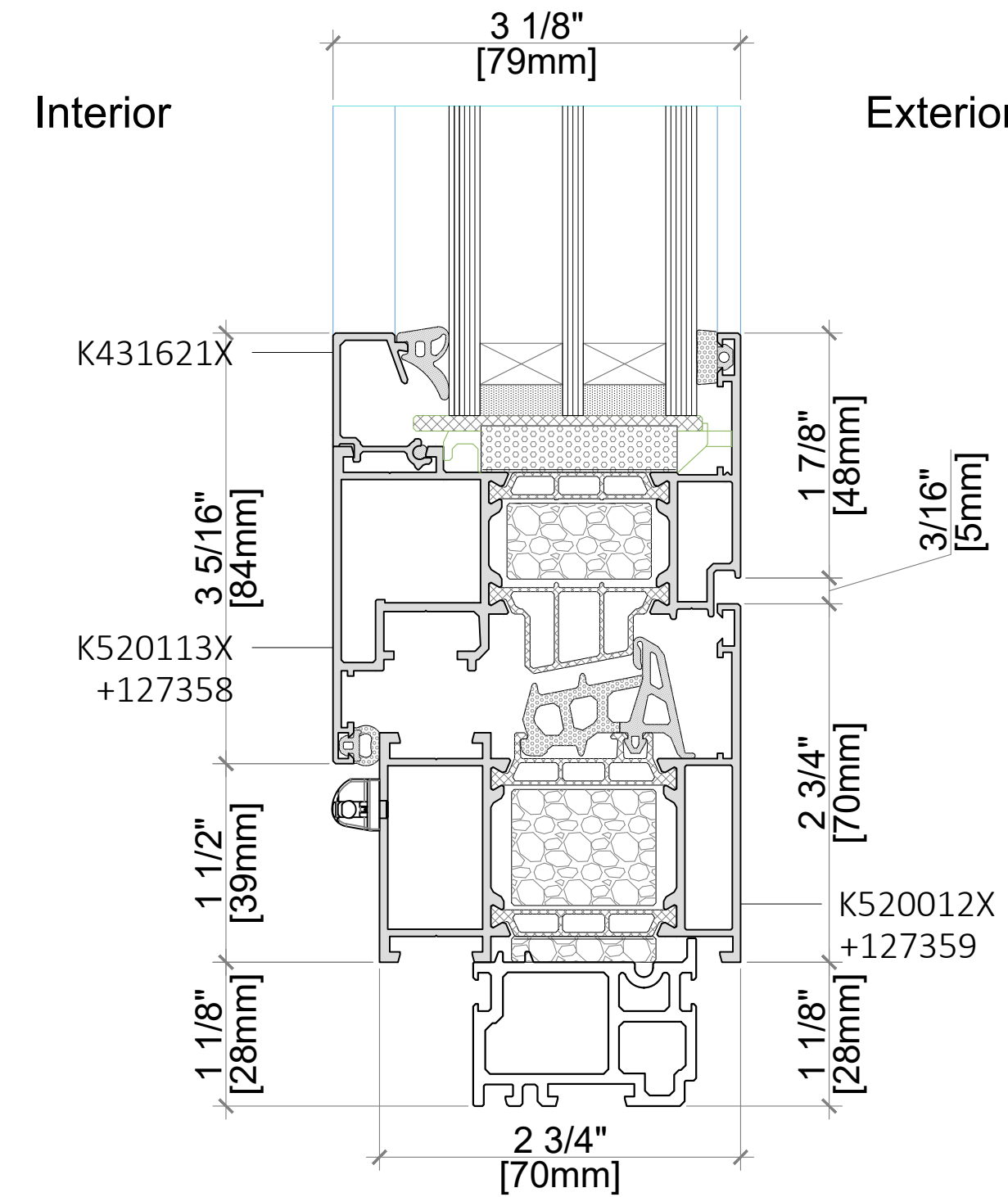


## JAMB DETAIL



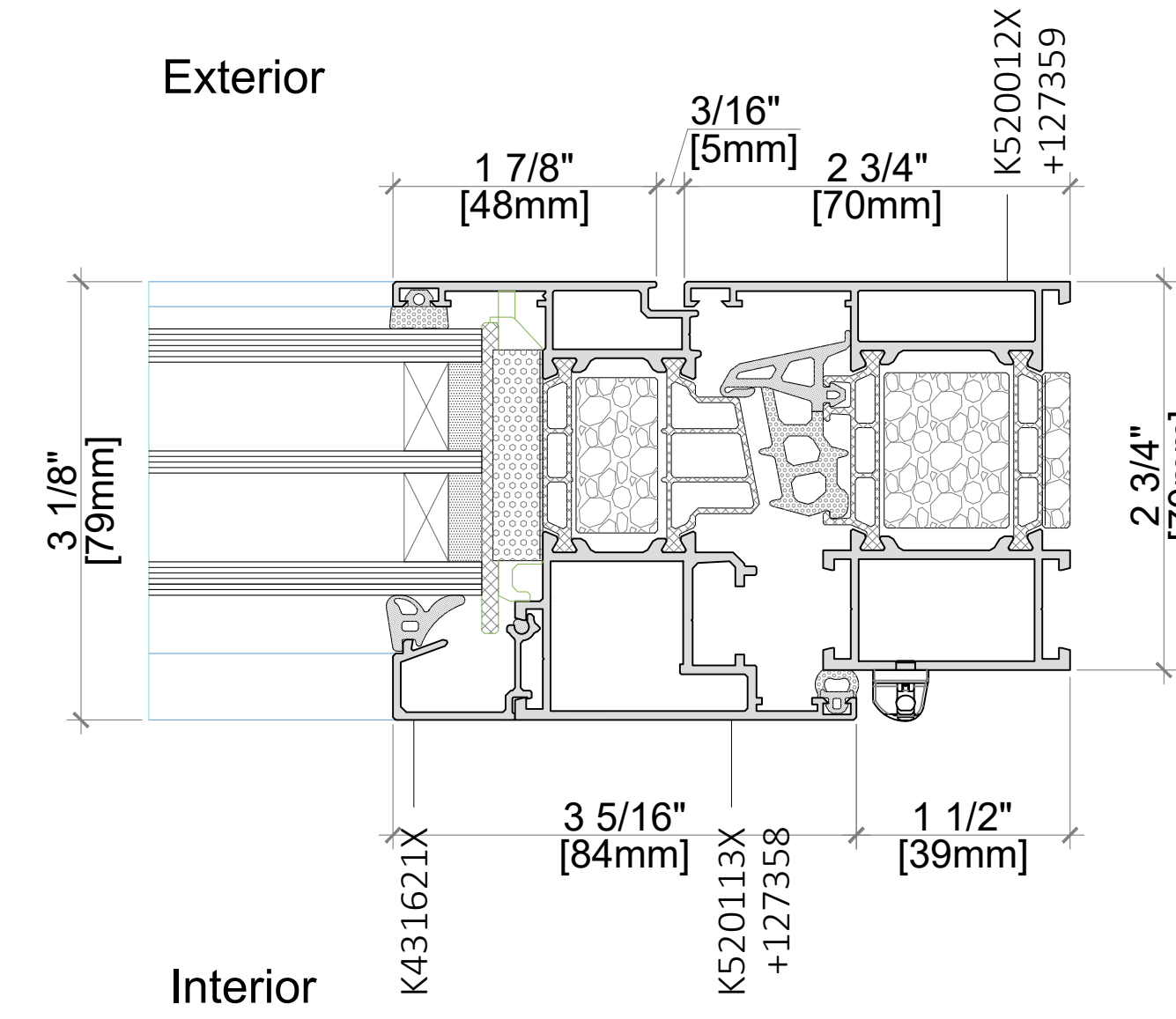
STANDARD PROFILE:  
SASH: K520112X  
FRAME: K520012X

## SILL DETAIL

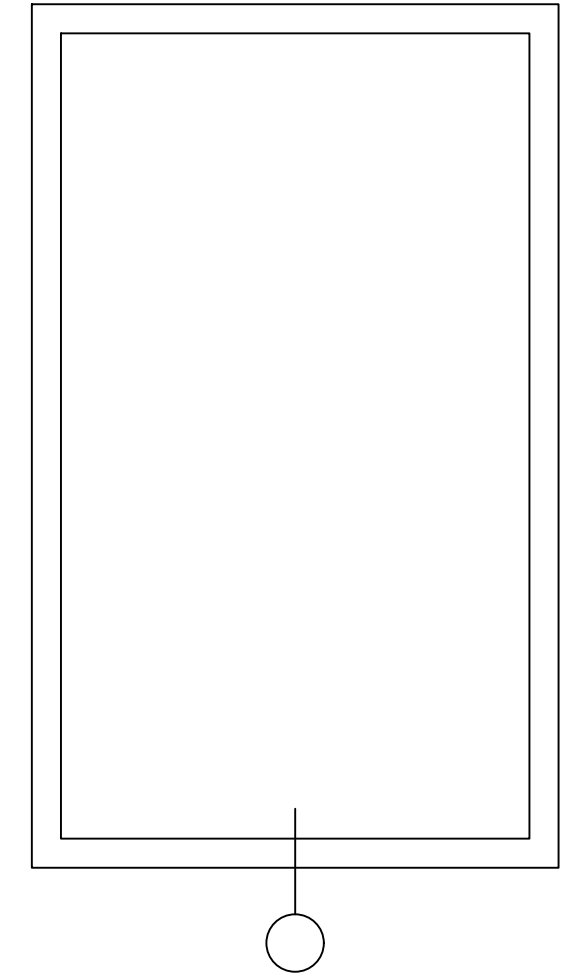


OPTIONAL PROFILE:  
SASH: K520113X  
FRAME: K520012X

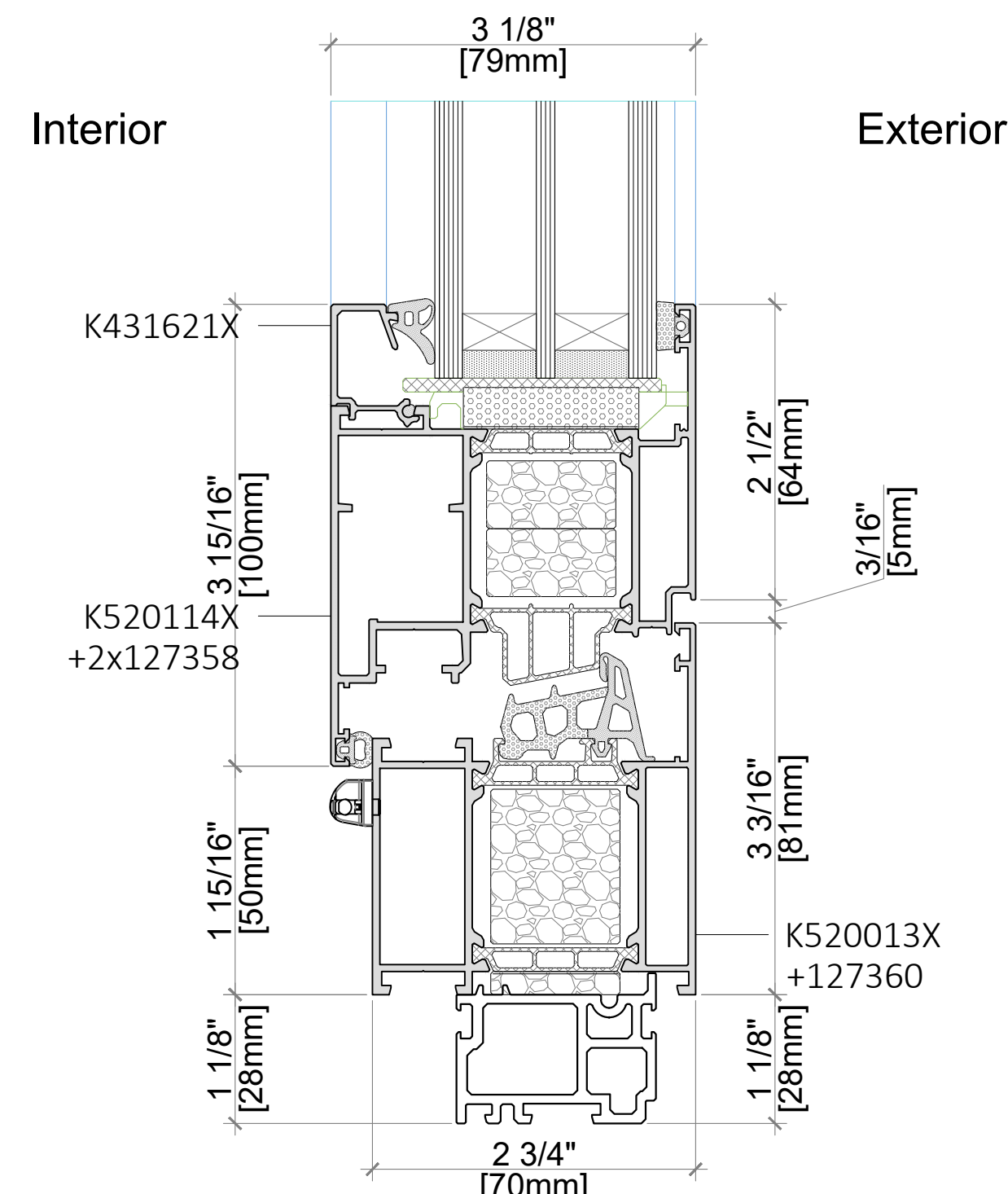
## JAMB DETAIL



Elevation key:

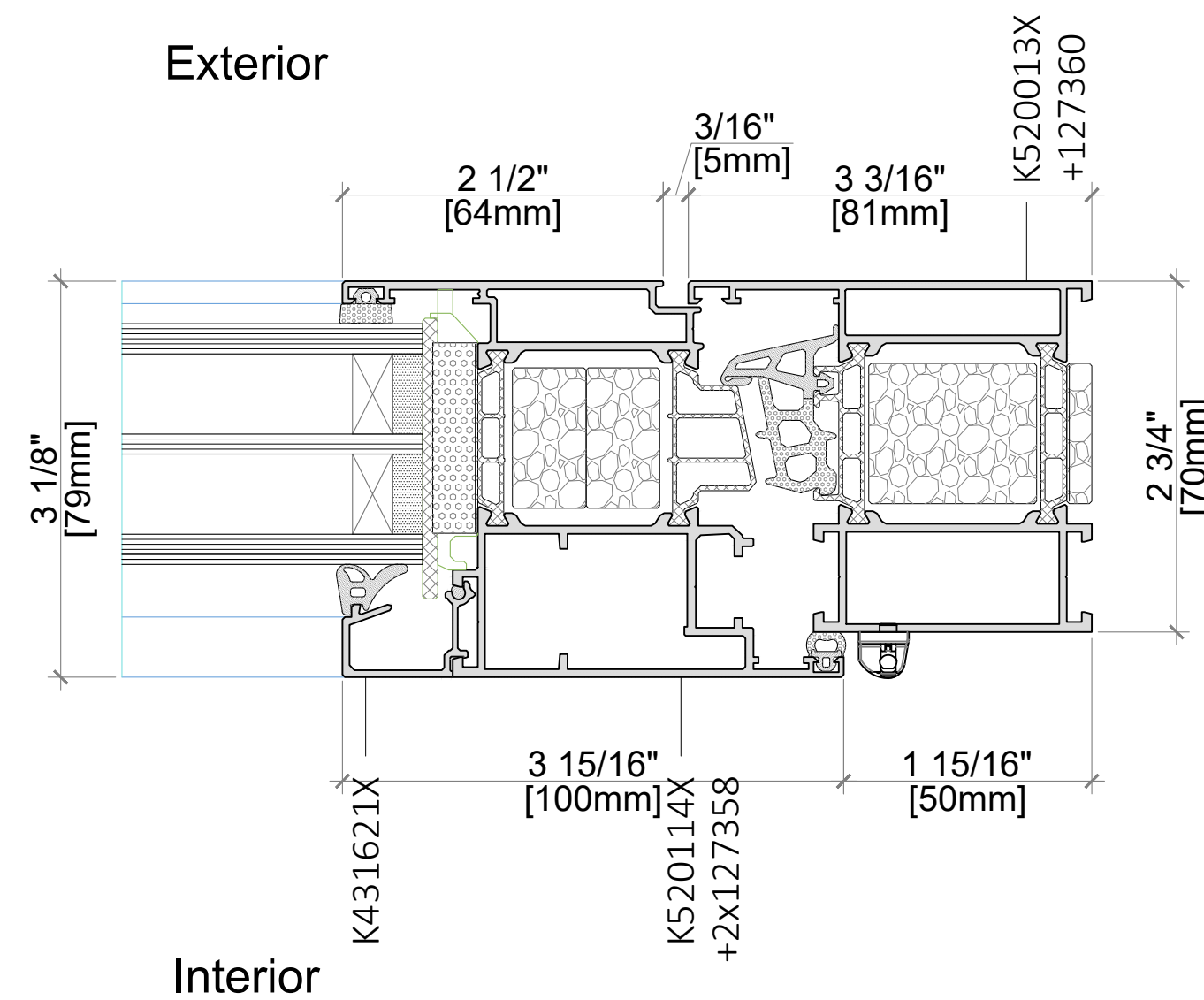


## SILL DETAIL

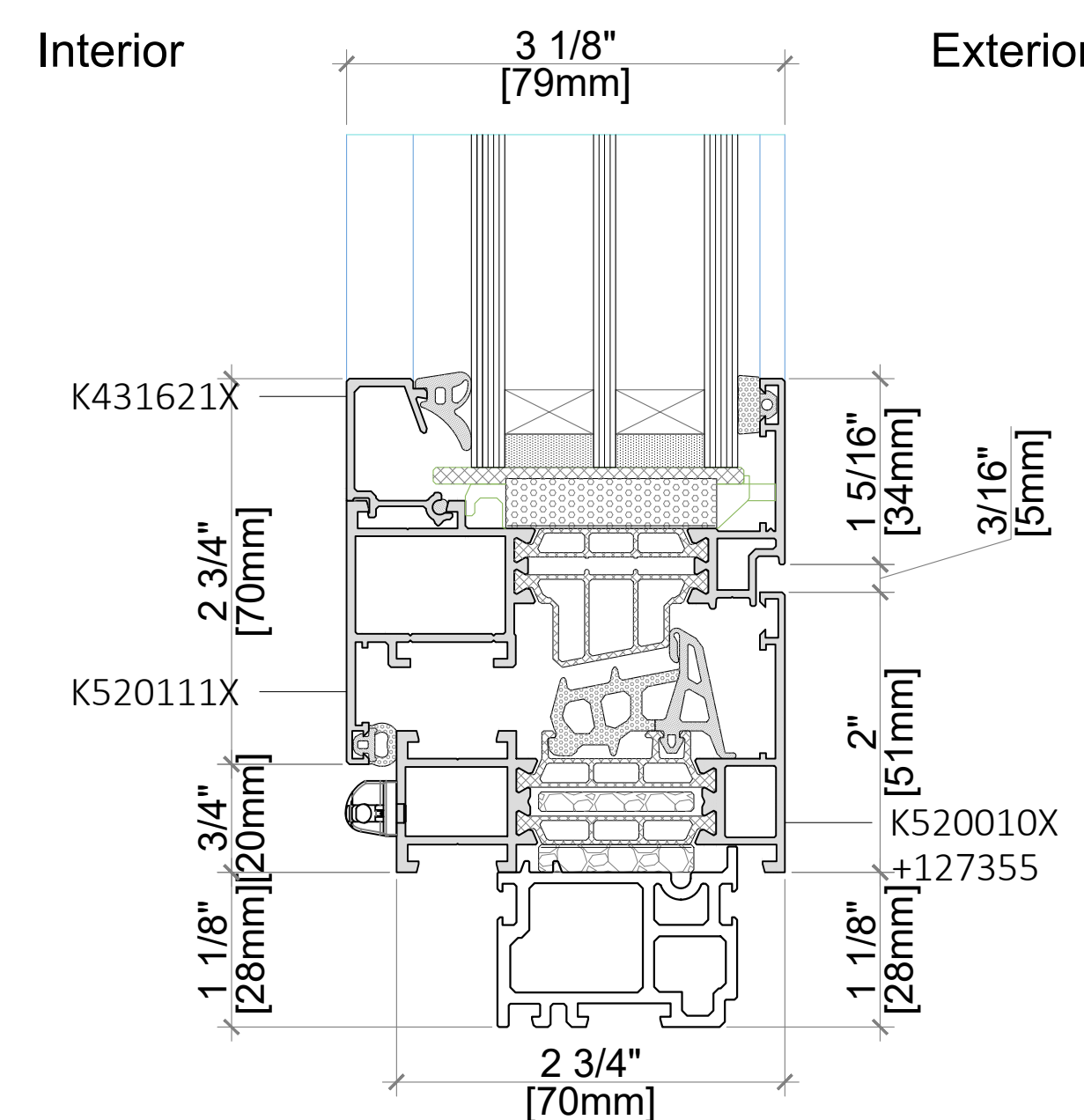


OPTIONAL LARGEST PROFILE:  
SASH: K520114X  
FRAME: K520013X

## JAMB DETAIL

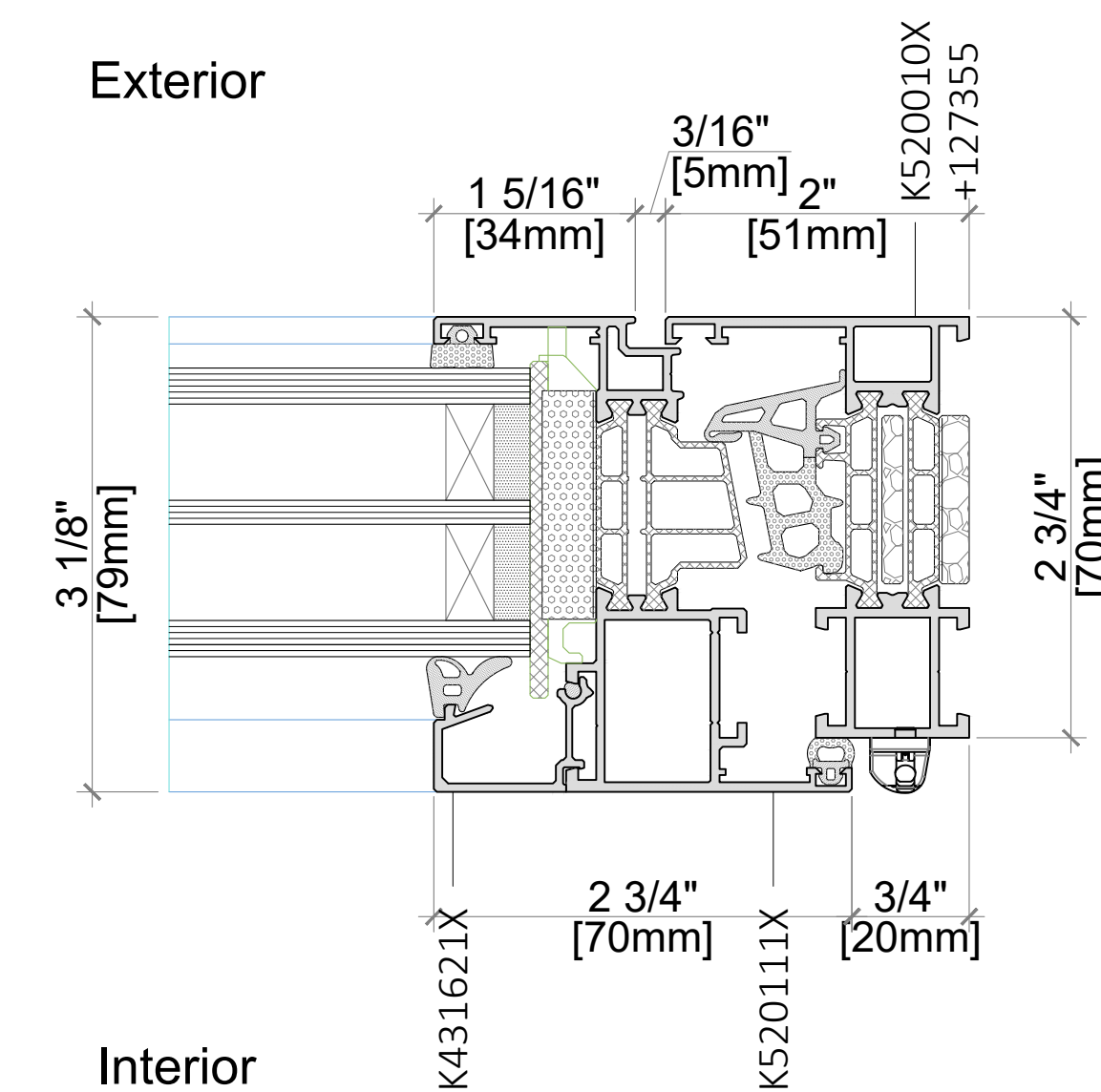


## SILL DETAIL



OPTIONAL SMALLEST PROFILE:  
SASH: K520111X  
FRAME: K520010X

## JAMB DETAIL



**Note:** Available in Double & Triple Glazed

**Note:** Other Sash and Frame Combinations are Available, Based on Project Design and/or Structural Needs

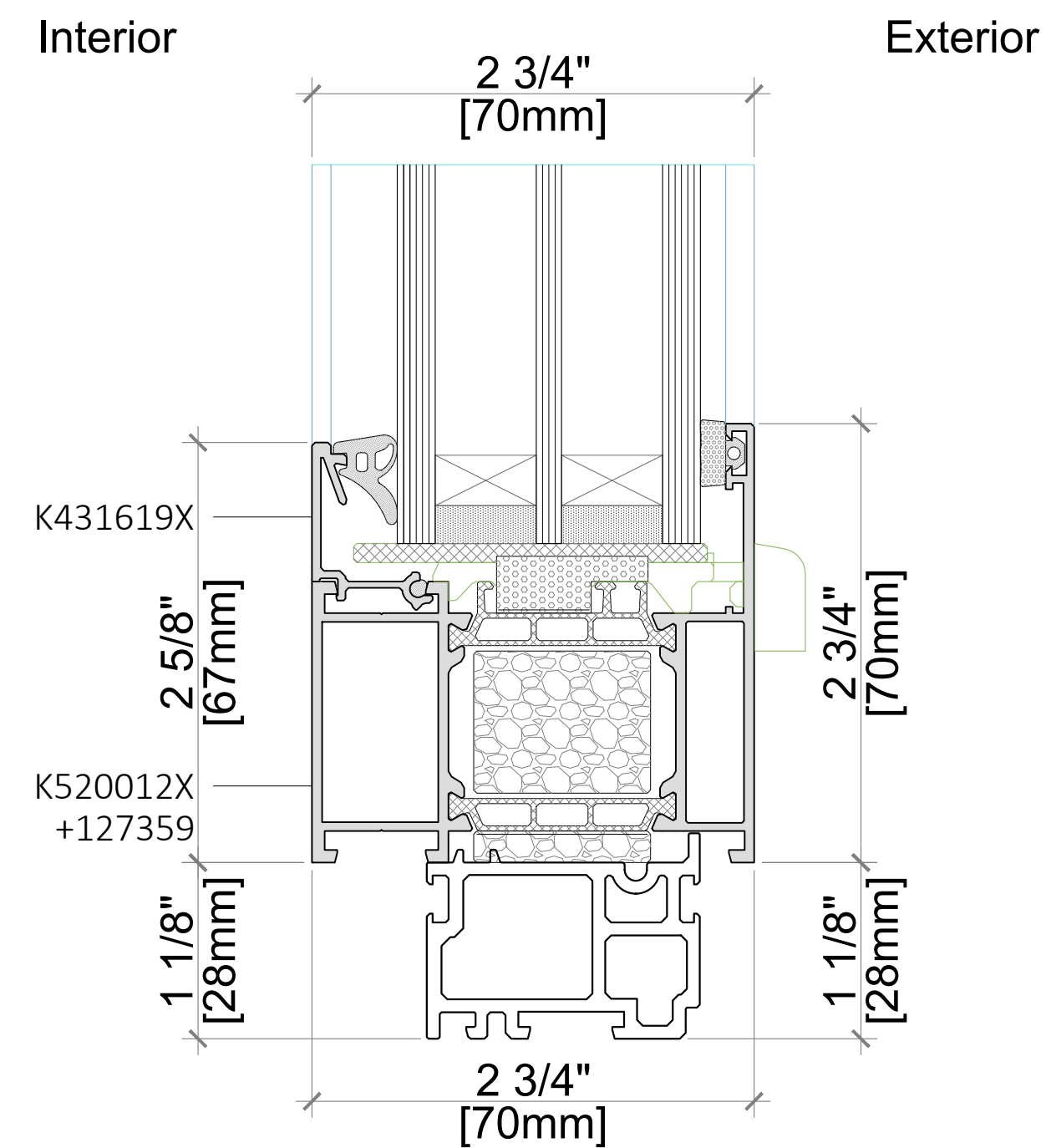
# ALUPROF 79mm Product Guide

MB-79N; Fixed Window Profiles

A M B E R L I N E

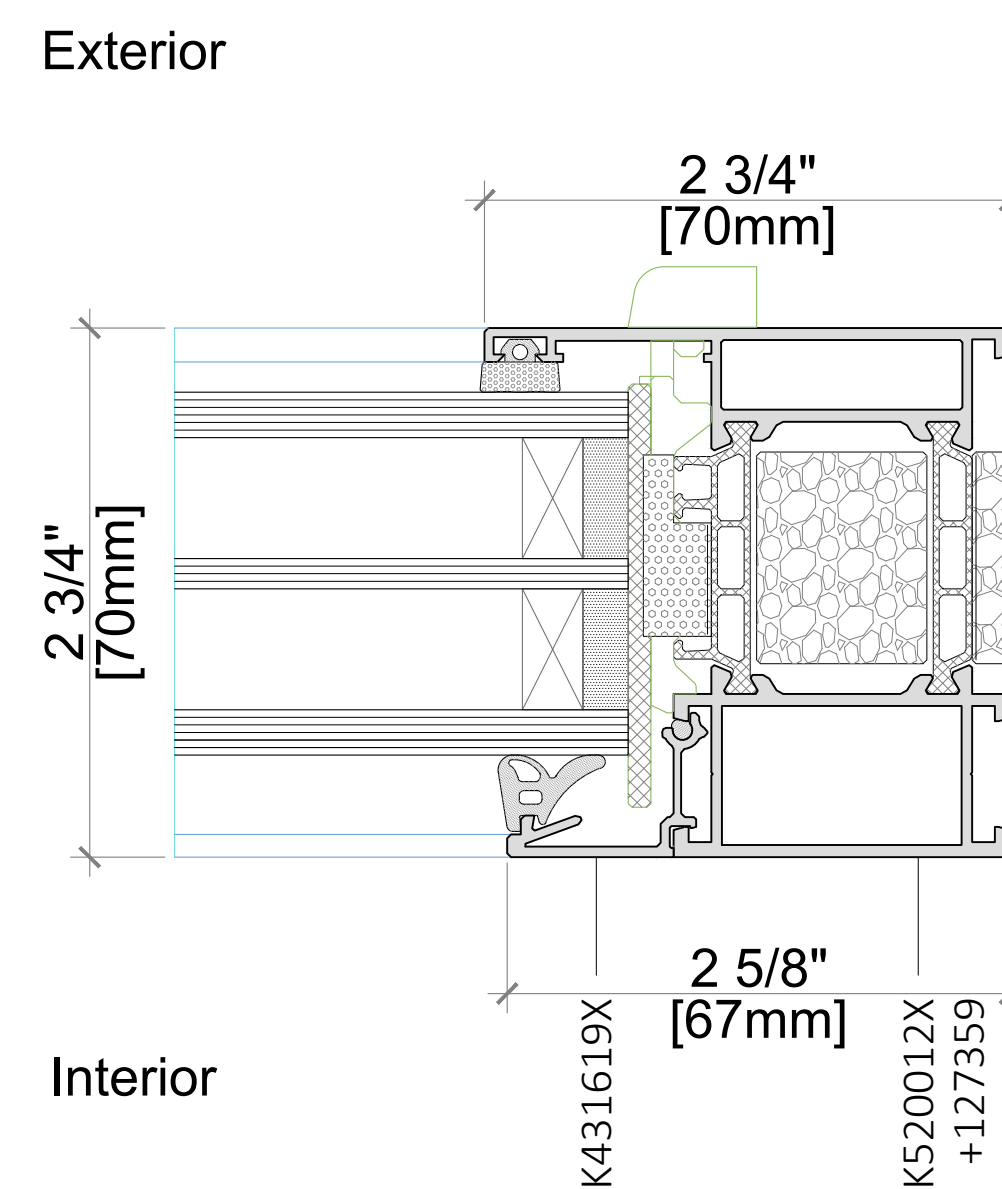
HIGH PERFORMANCE WINDOWS AND DOORS

## SILL DETAIL

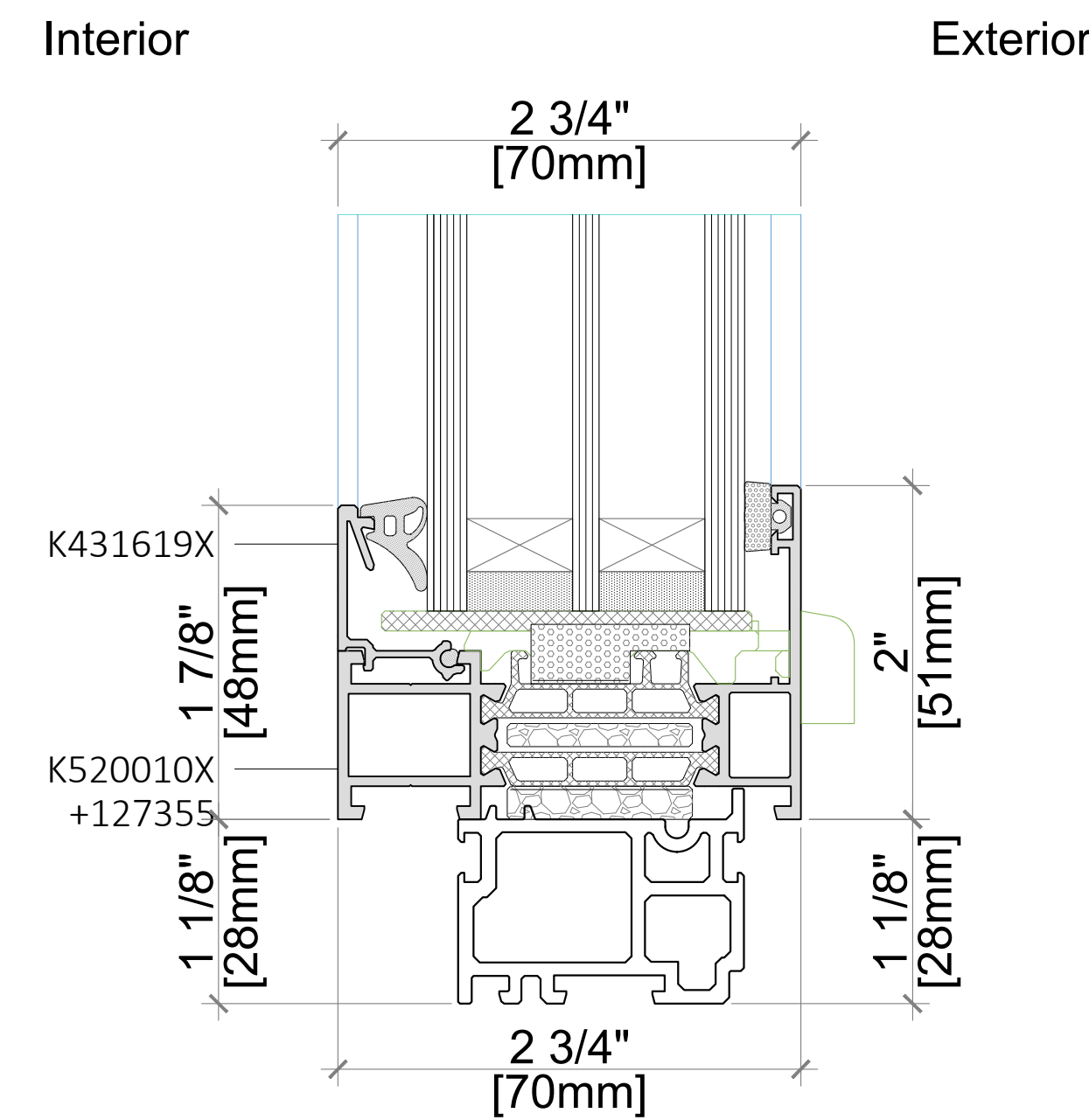


STANDARD FRAME PROFILE:  
K520012X

## JAMB DETAIL

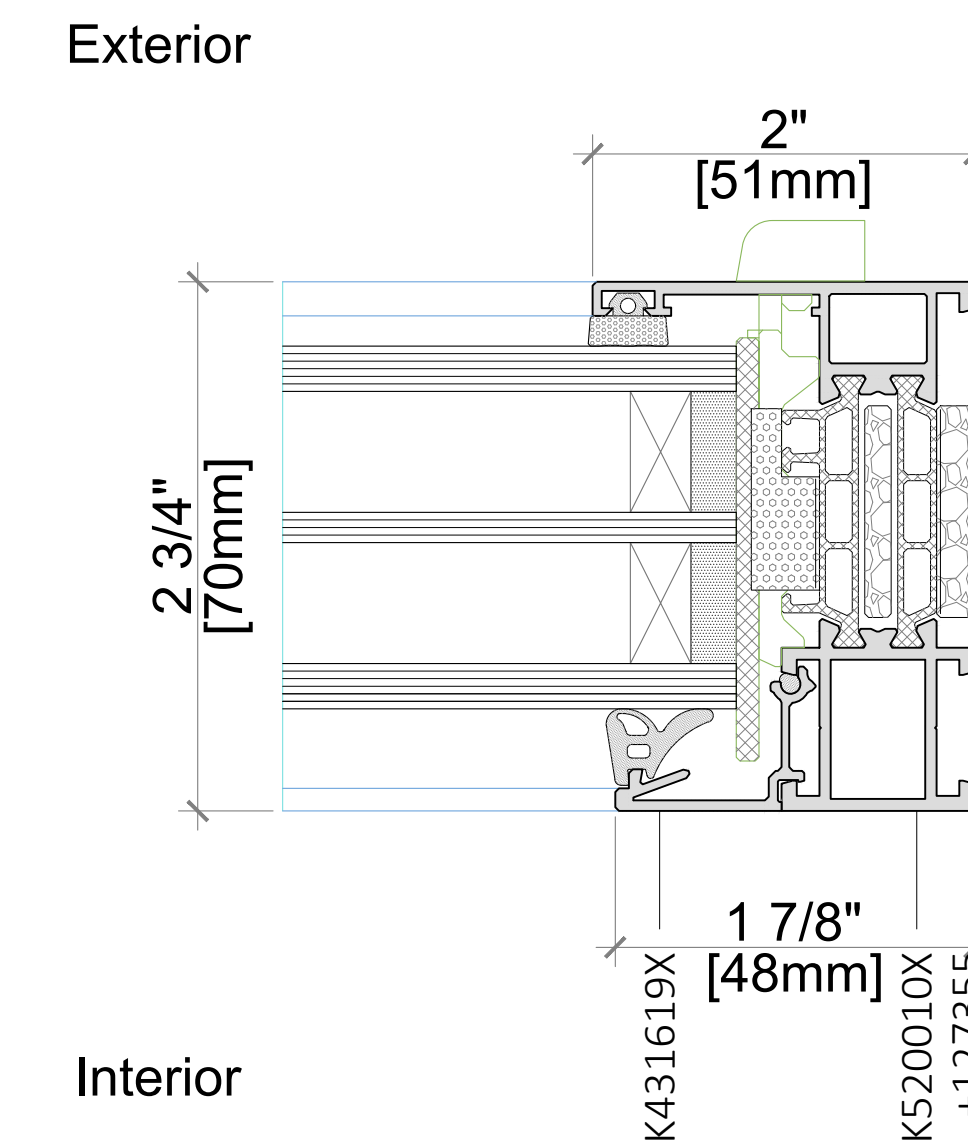


## SILL DETAIL

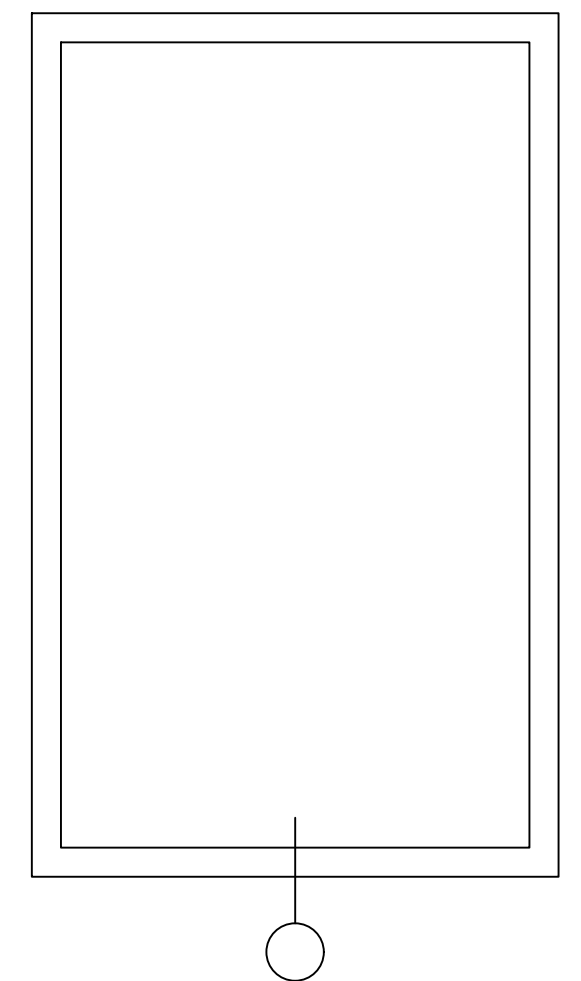


OPTIONAL FRAME PROFILE:  
K520010X

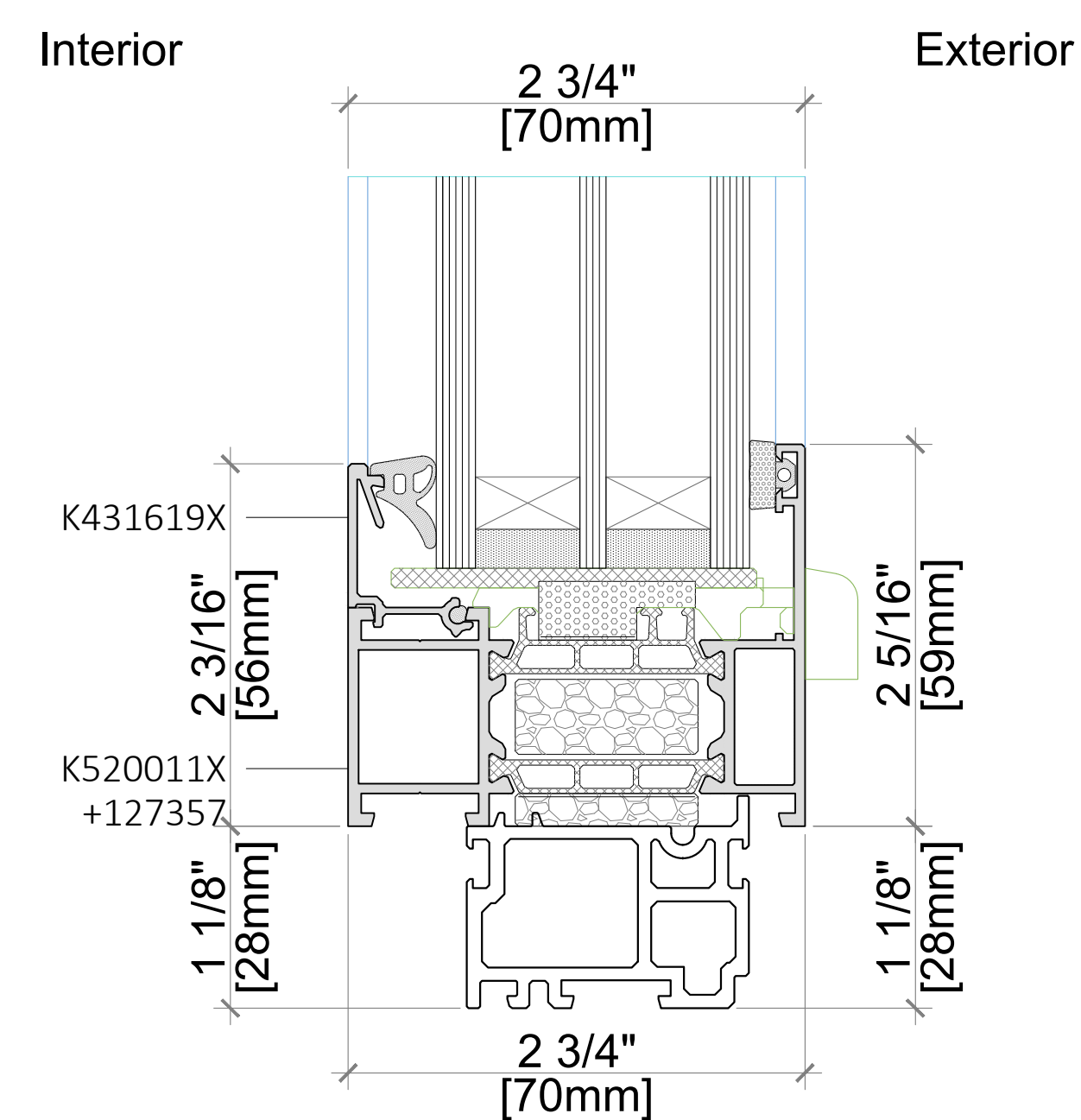
## JAMB DETAIL



Elevation key:

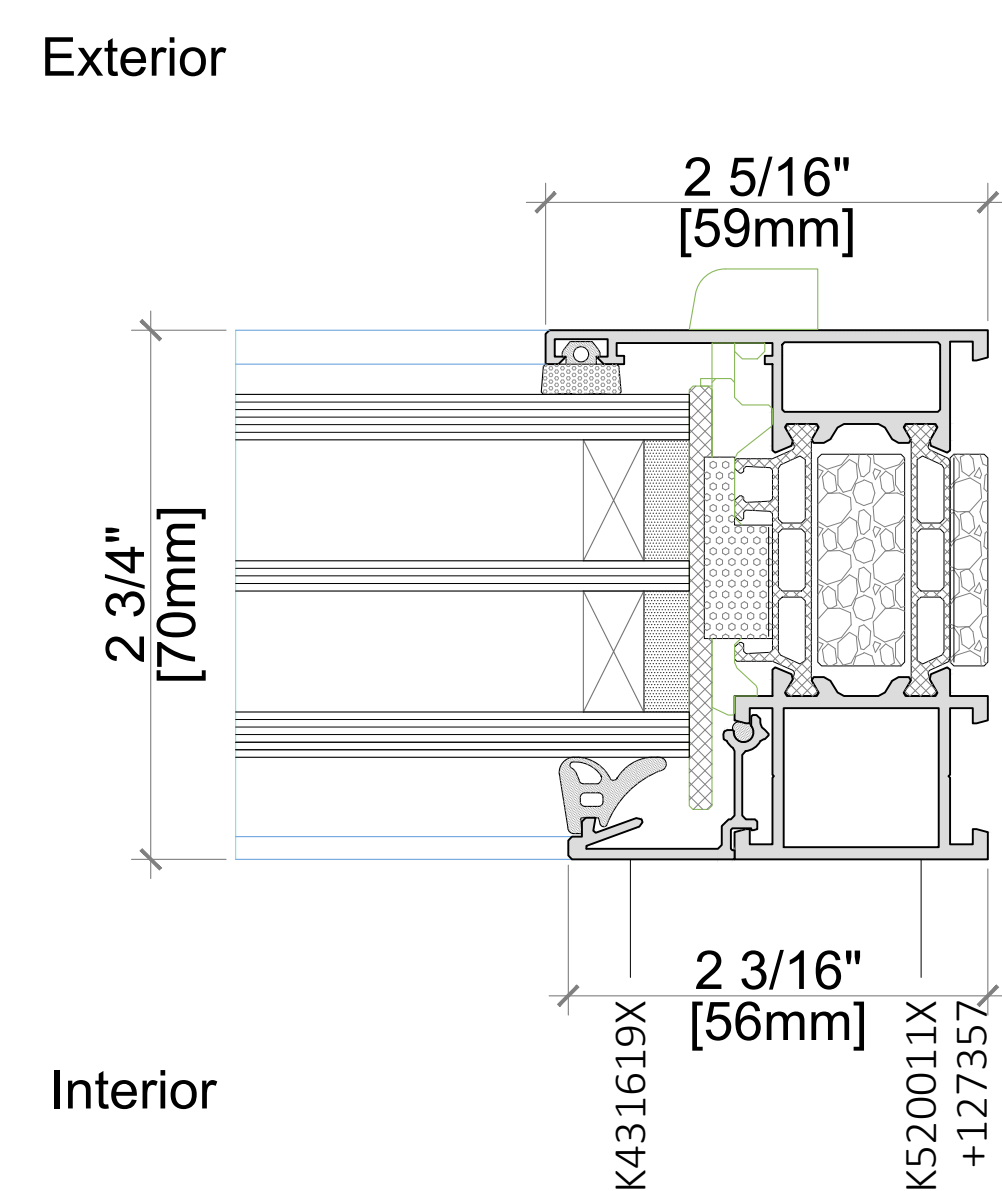


## SILL DETAIL

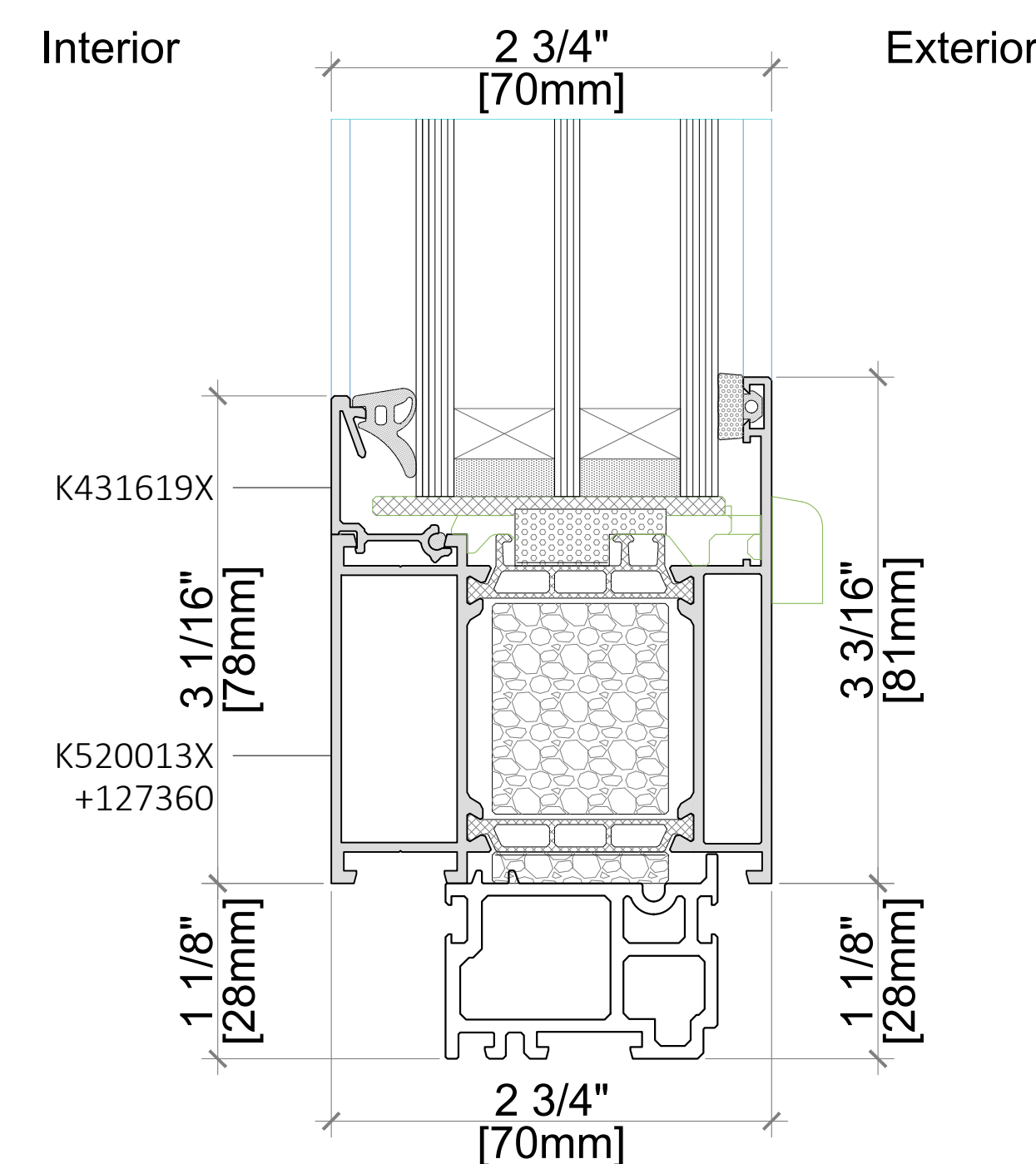


OPTIONAL FRAME PROFILE:  
K520011X

## JAMB DETAIL

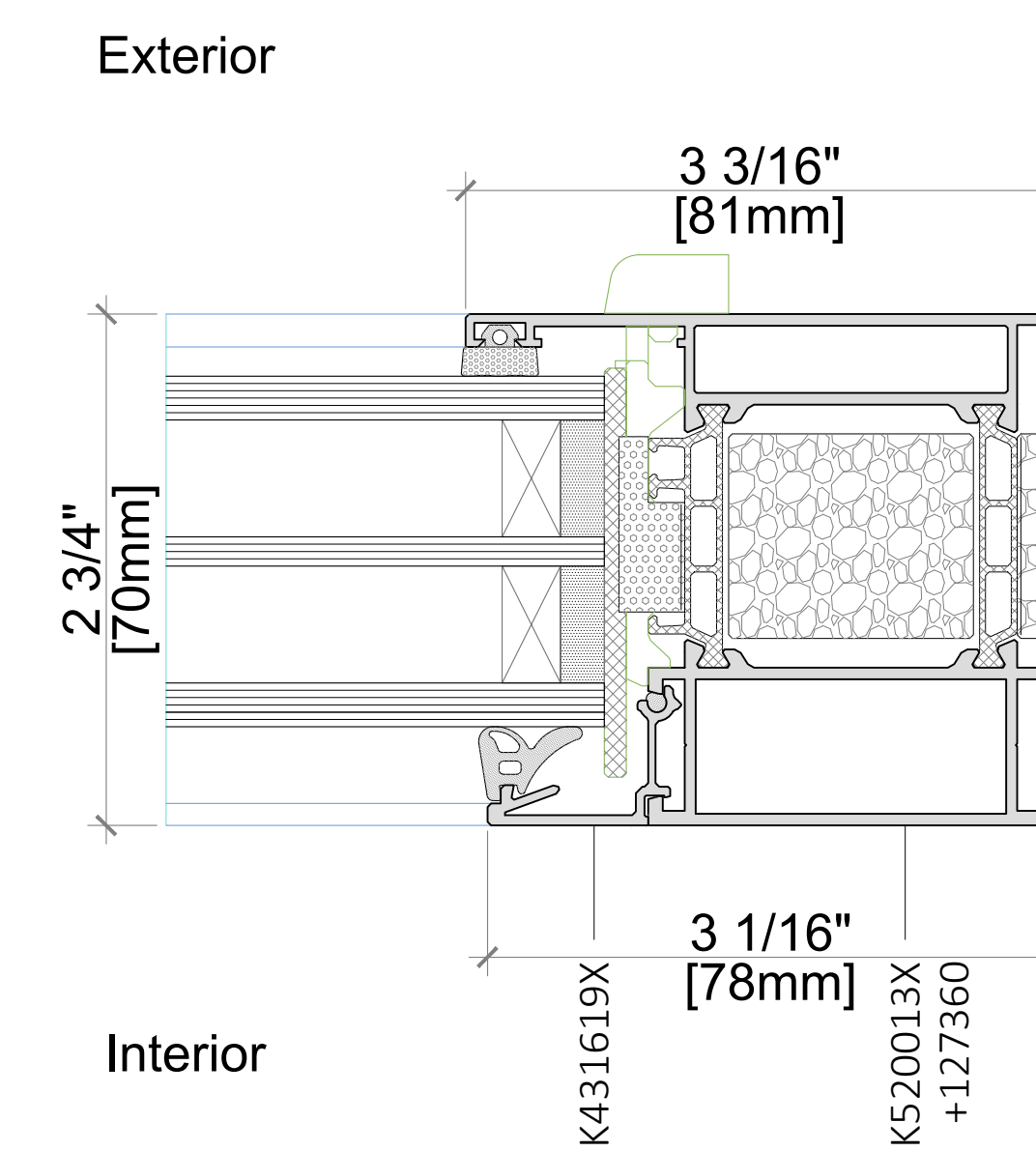


## SILL DETAIL



OPTIONAL FRAME PROFILE:  
K520013X

## JAMB DETAIL



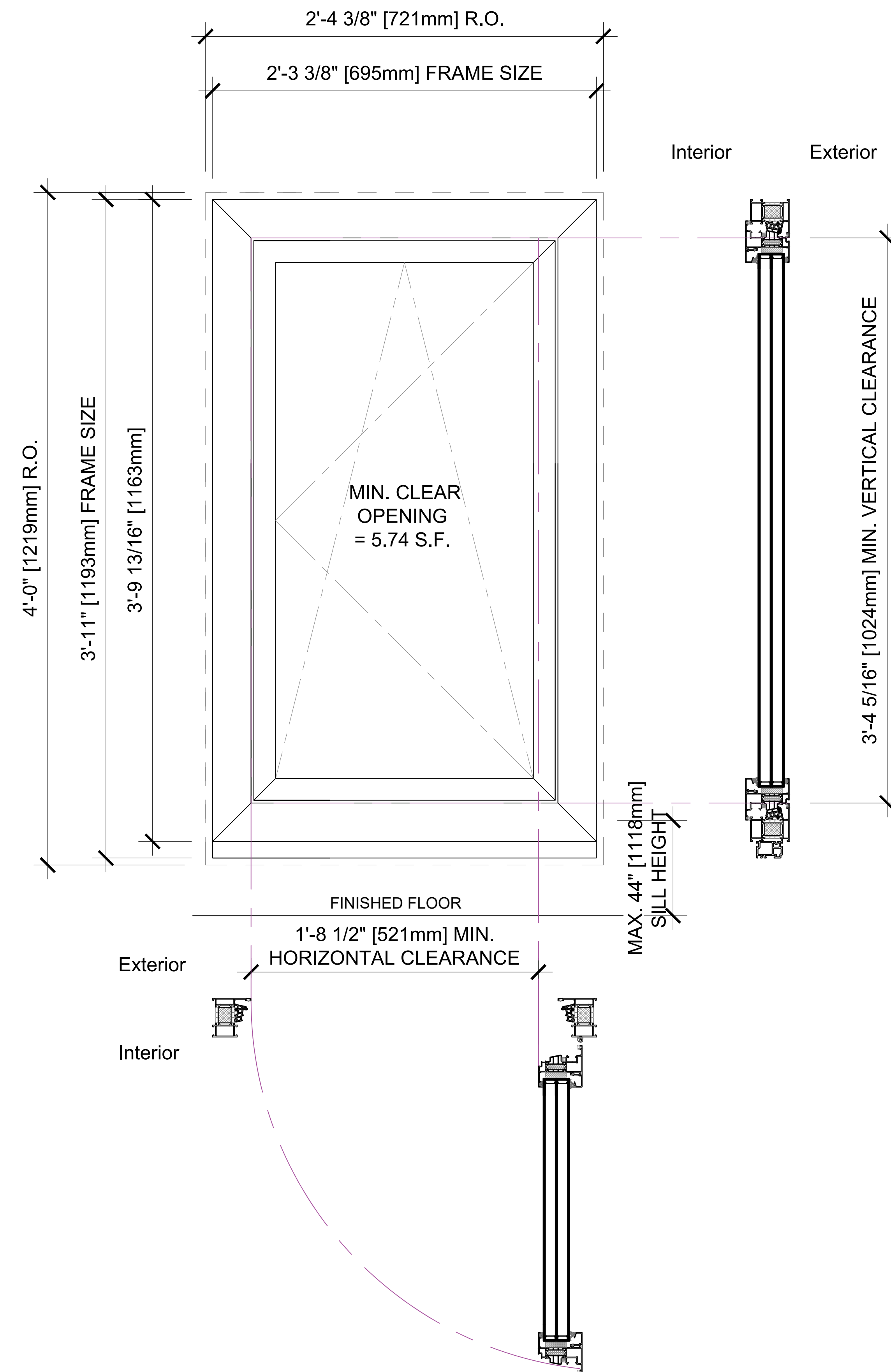
**Note:** Available in Double & Triple Glazed

# ALUPROF 79mm Product Guide

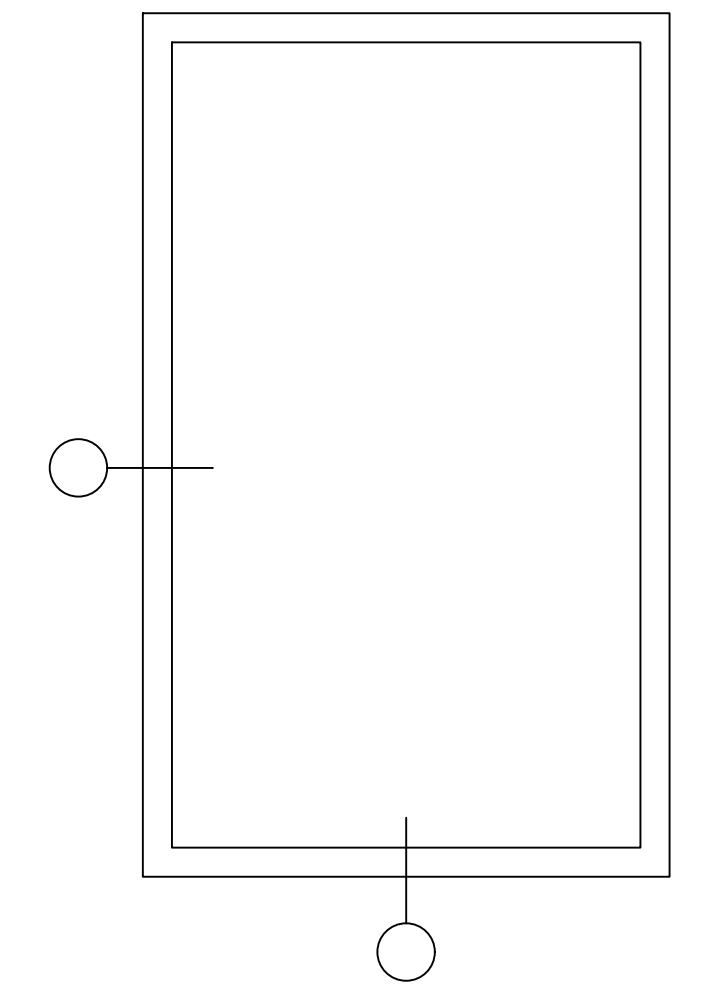
MB-79N; Window Operable Clearance Area

A M B E R L I N E

HIGH PERFORMANCE WINDOWS AND DOORS



Elevation key:





# ALUPROF 79mm Product Guide

MB-79N; Glazing Options for Windows & Doors

A M B E R L I N E

HIGH PERFORMANCE WINDOWS AND DOORS

## DOUBLE-GLAZED GLASS | SPACER | GLASS

	IGU (mm)	Thick-ness	Spacer	Psi Spacer (W/mK)	Ug	SHGC	Vt	STC	OITC
<b>STANDARD 1.1 THERMOFLOAT</b>	4   18   4	26mm 1"	Chromatech Ultra F	0.048	1.1	61%	82%	31	23
<b>STANDARD 1.0 THERMOFLOAT</b>	4   18   4	26mm 1"	Chromatech Ultra F	0.048	1.0	-	-	31	23
<b>COMBI NEUTRAL 70/35</b>	4   18   4	26mm 1"	Chromatech Ultra F	0.048	1.0	34%	71%	31	23
<b>COMBI NEUTRAL 61/32</b>	4   18   4	26mm 1"	Chromatech Ultra F	0.048	1.0	31%	62%	31	23

## TRIPLE-GLAZED GLASS | SPACER | GLASS | SPACER | GLASS

	IGU (mm)	Thick-ness	Spacer	Psi Spacer (W/mK)	Ug	SHGC	Vt	STC	OITC
<b>STANDARD 1.1 THERMOFLOAT</b>	4   18   4   18   4	48mm 1-7/8"	Chromatech Ultra F	0.043	0.5	53%	74%	33	25
<b>STANDARD 1.0 THERMOFLOAT</b>	4   18   4   18   4	48mm 1-7/8"	Chromatech Ultra F	0.043	0.5	-	-	33	25
<b>COMBI NEUTRAL 70/35</b>	4   18   4   18   4	48mm 1-7/8"	Chromatech Ultra F	0.043	0.5	35%	64%	33	25
<b>COMBI NEUTRAL 61/32</b>	4   18   4   18   4	48mm 1-7/8"	Chromatech Ultra F	0.043	0.5	31%	56%	33	25

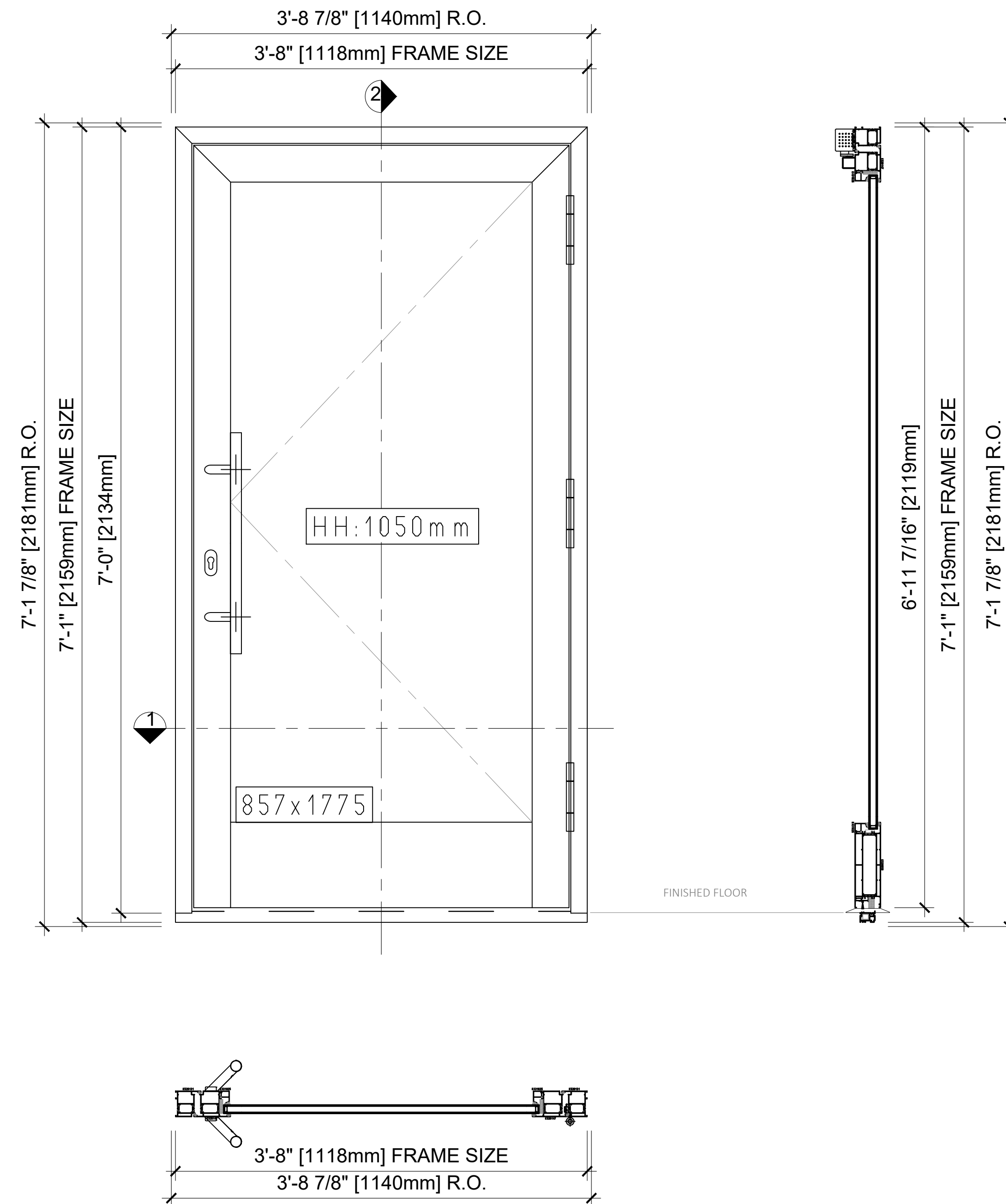
## ALUPROF MB79mm: STANDARD DOOR HARDWARE CONFIGURATIONS

(Double or Triple Glazing is  
Available on all Configurations)

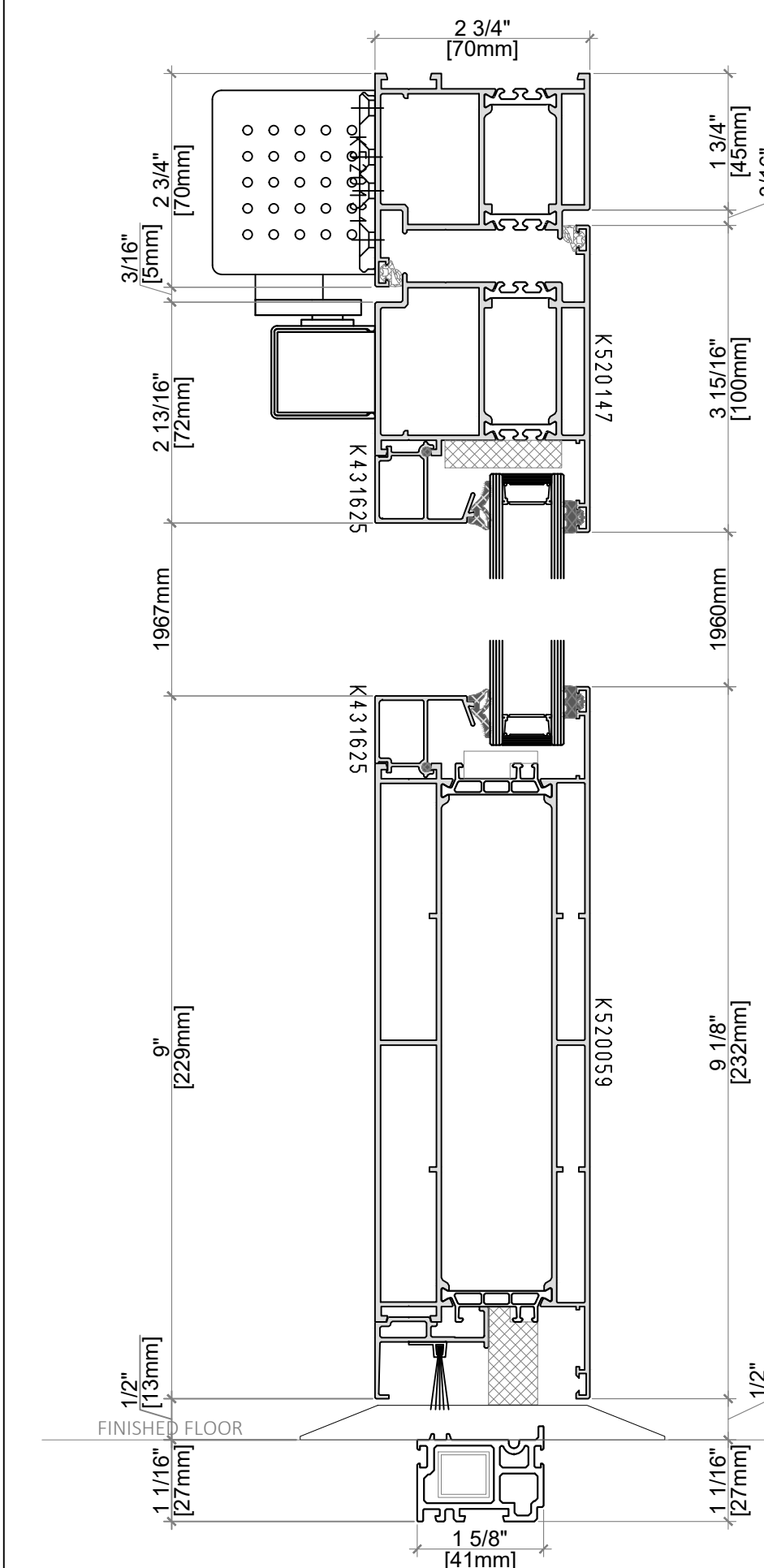
# ALUPROF 79mm Product Guide

Alu79; Standard - MB79N - Commercial Entry Door

## Exterior View



## Vertical Cross Section

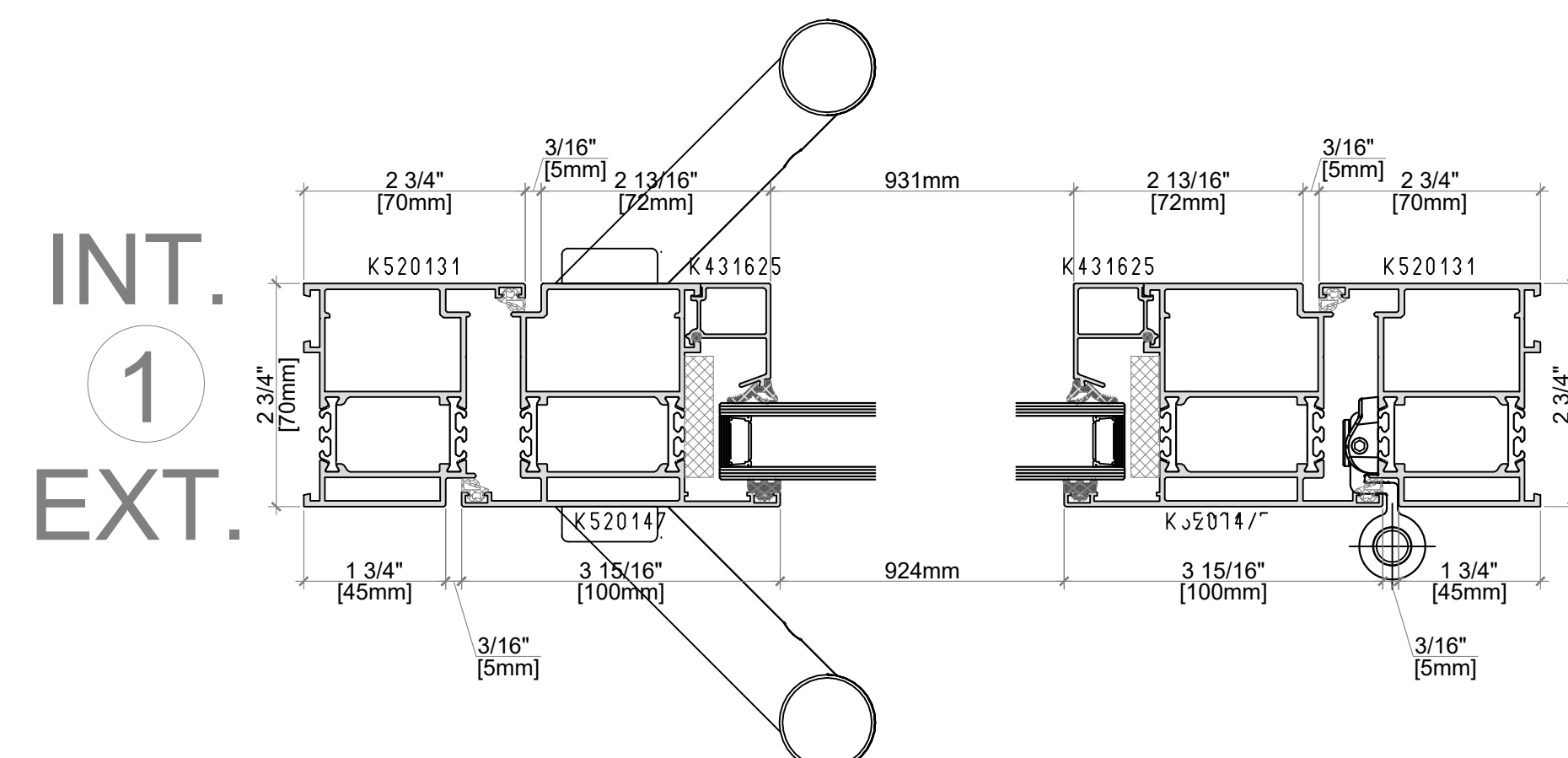


**Notes:**

- Frame System:** Aluprof MB-79N
- Thermal Options:** E / ST / SI
- Configurations:** Single Sash
- Optional:** Double Sash - Sidelights & Transoms
- Color:**  
Interior: 10 Standard RAL Colors - Split Finish Option  
Exterior: 10 Standard RAL Colors - Split Finish Option
- Glass or Panel:** Full Lite
- Optional:** Full or Partial Insulated Panels
- IGU Configuration:**  
3 IGU (48mm) 4TH1.1/18/4/18/4TH1.1 (NFRC/SHGC .31)  
2 Pane + Other Options Available on Request
- Swing:** Outswing
- Optional:** Inswing
- Hinge Side:** Left or Right
- Hinges:** Roller Hinge | WALA | Stainless Steel  
Other Options Available upon Request
- Auto Operator (Prepped Profile):** No
- Optional add-on:** Wider Frame or Transom Mullion (auto-operator by others).
- Door Closer:** Surface-Mounted | Dorma | Black
- Levers:** No
- Handles:** P45 600mm | WALA | Stainless Steel  
**Options:** Exterior & Interior Handles Available
- Touch Bar:** No
- Electric Strike:** No / Optional Add-on
- Latches:** Roller Latch | Wilka
- Locking:** Deadbolt | Wilka  
Standard European Lock Core KEY/KEY
- Bottom Kick Plate:** 300mm (12") Bottom Rail | Aluprof | Color-Matched
- Note:** No Need for Stainless Steel Plates
- Threshold:** ADA | Nylatron | Black | 100% Thermal Break
- Note:** Comes with Plastic Sub-Threshold and Steel Tube Reinforcement | Double-Brush Sweeps

INT. ② EXT.

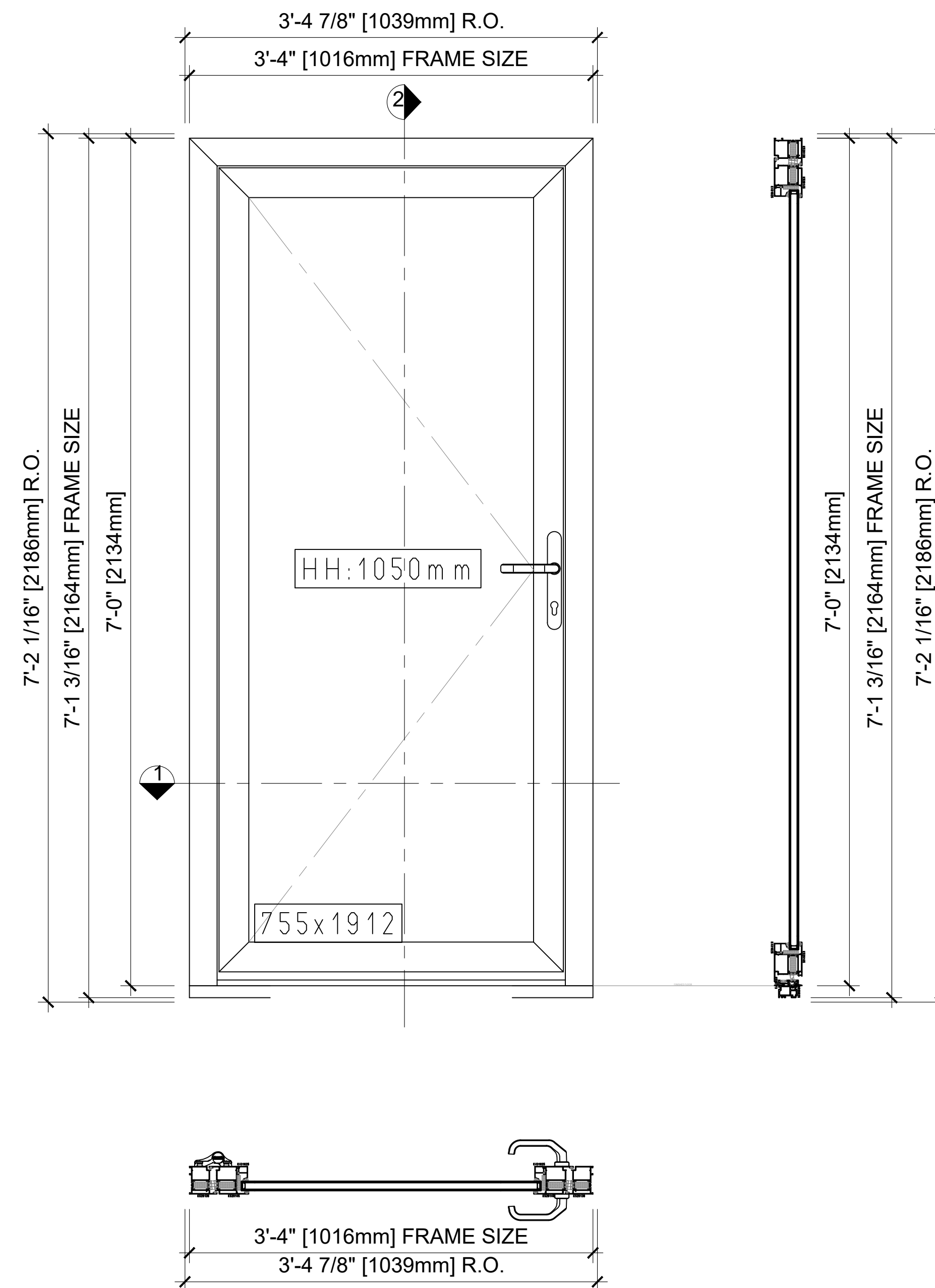
## Horizontal Cross Section



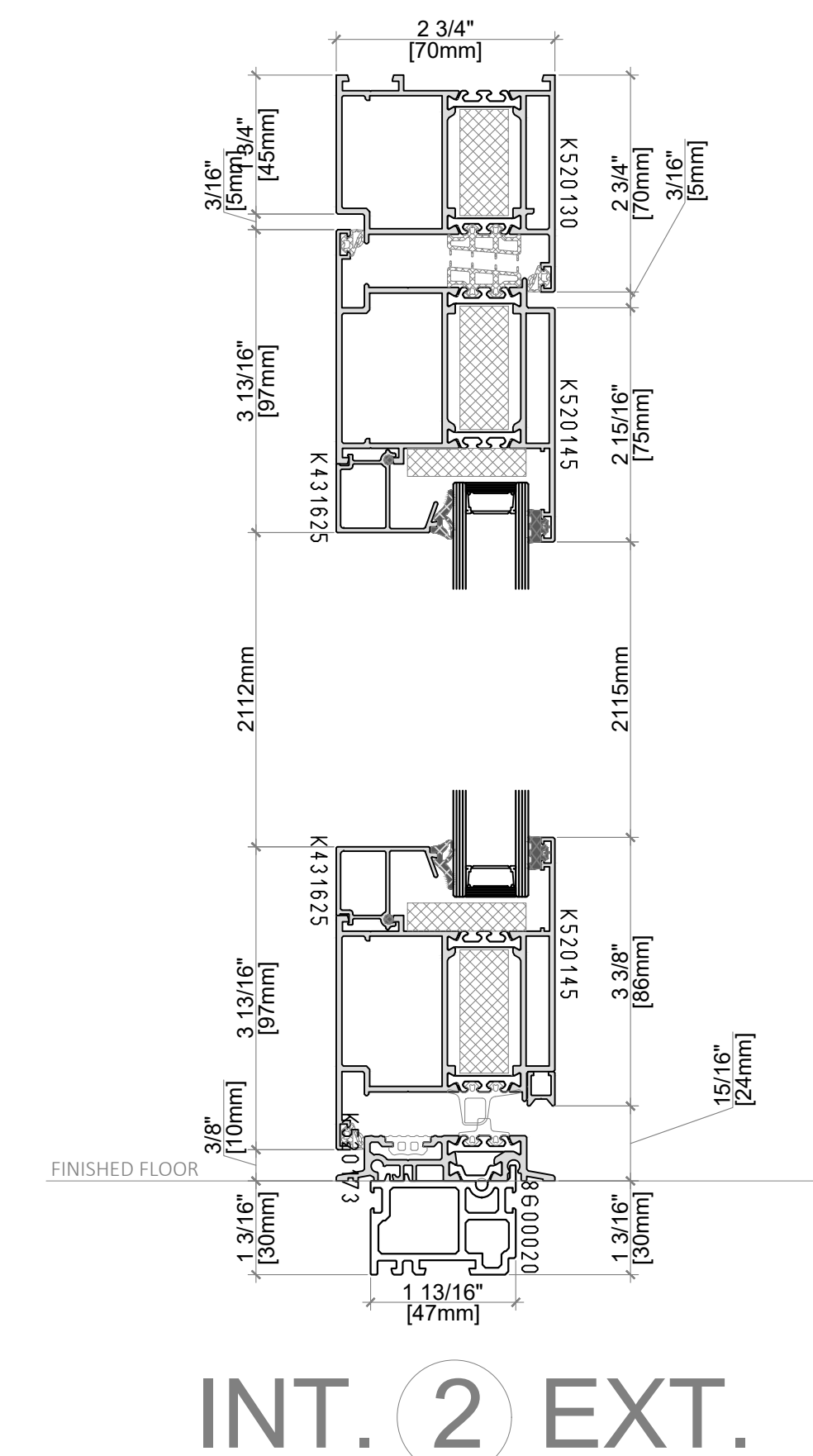
# ALUPROF 79mm Product Guide

Alu79; Standard - MB79N - Residential Entry Door

## Exterior View



## Vertical Cross Section



**Notes:**

**Frame System:** Aluprof MB-79N  
**Thermal Options:** E / ST / SI

**Configurations:** Single Sash  
**Optional:** Double Sash - Sidelights & Transoms

**Color:**  
Interior: 10 Standard RAL Colors - Split Finish Option  
Exterior: 10 Standard RAL Colors - Split Finish Option

**Glass or Panel:** Full Lite  
**Optional:** Full or Partial Insulated Panels

**IGU Configuration:**  
3 IGU (48mm) 4TH1.1/18/4/18/4TH1.1 (NFRC/SHGC .31)  
2 Pane + Other Options Available on Request

**Swing:** Inswing  
**Optional:** Outswing

**Hinge Side:** Left or Right

**Hinges:** Roller Hinge | WALA | Stainless Steel  
Other Options Available upon Request

**Auto Operator (Prepped Profile):** No  
**Optional add-on:** Wider Frame or Transom Mullion (auto-operator by others).

**Door Closer:** No  
**Optional Add-On:** Surface-Mounted or Concealed

**Levers:** 35A/1200 | FKS | Stainless Steel  
Other Options Available on Request

**Handles:** No / Optional Add-On

**Touch Bar:** No

**Electric Strike:** No / Optional Add-on

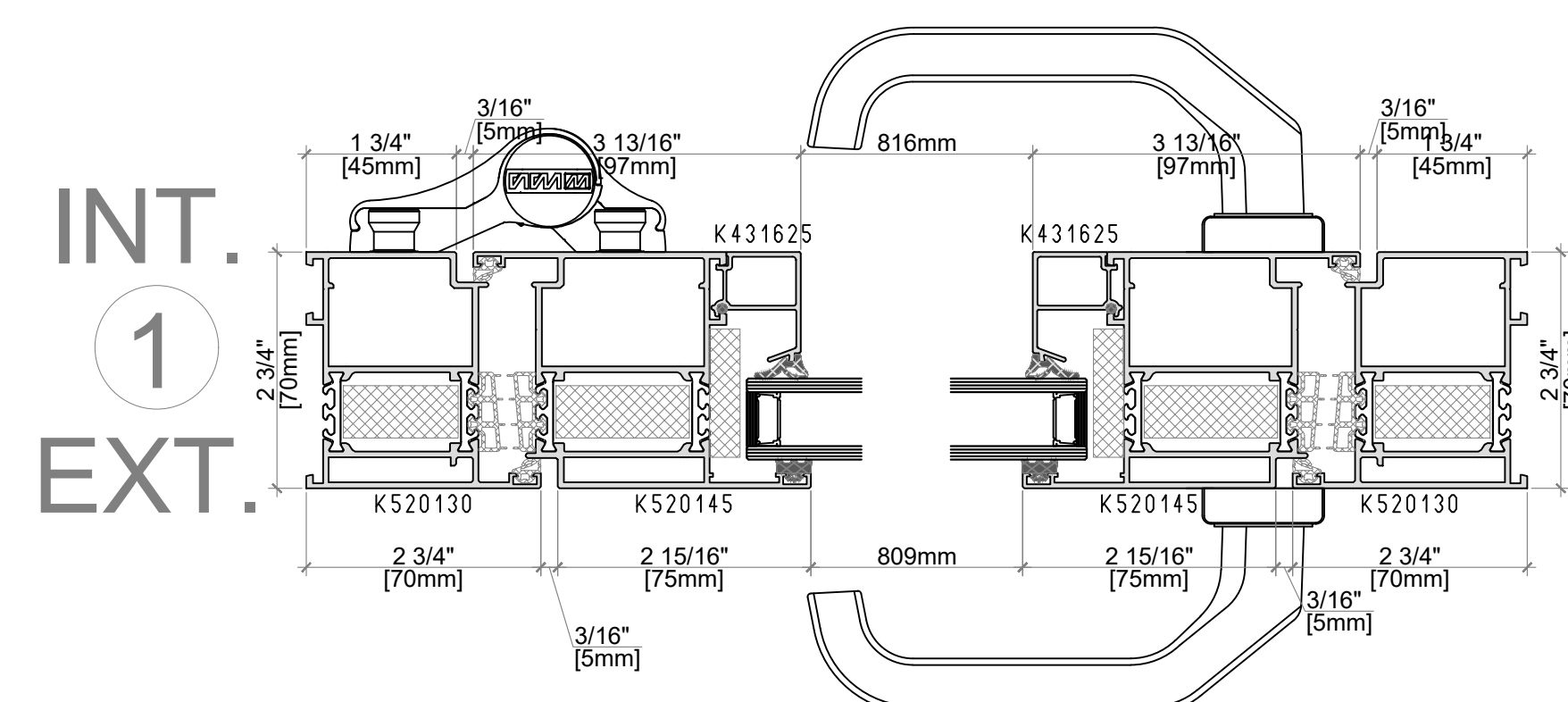
**Latches:** 3-pt Latch | Hook-Lock M | Winkhaus  
European-style mortise lockcore | WILKA

**Locking:** Deadbolt with Interior Thumb-turn | Wilka  
Mortise Lock European-Style Lockcore | WILKA

**Bottom Kick Plate:** No  
**Optional Add-On:** 300mm (12") Bottom Rail | Aluprof | Color-Matched

**Threshold:** Standard | Aluprof | Black  
**Note:** Comes with Plastic Sub-Threshold and Steel Tube Reinforcement

## Horizontal Cross Section





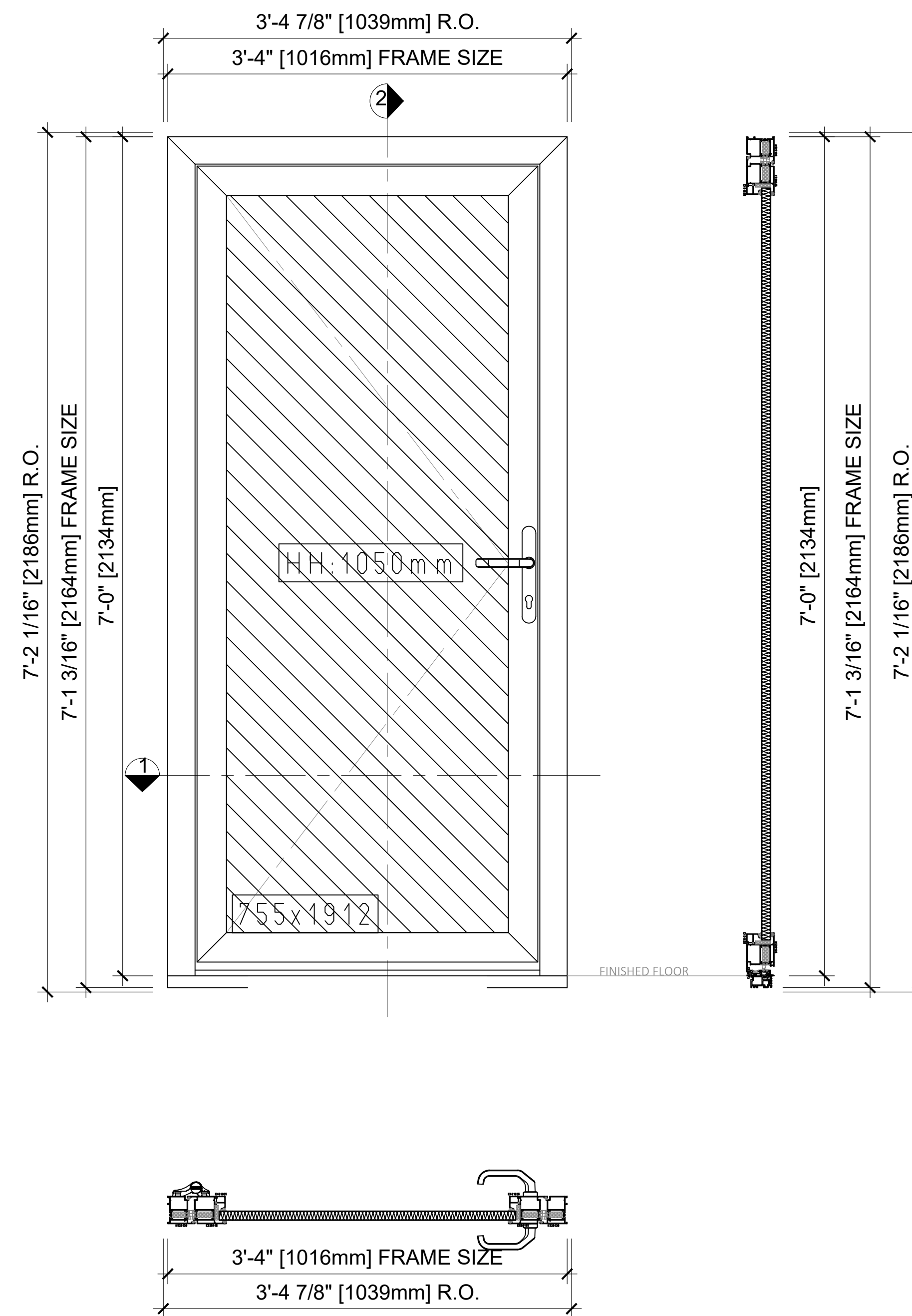




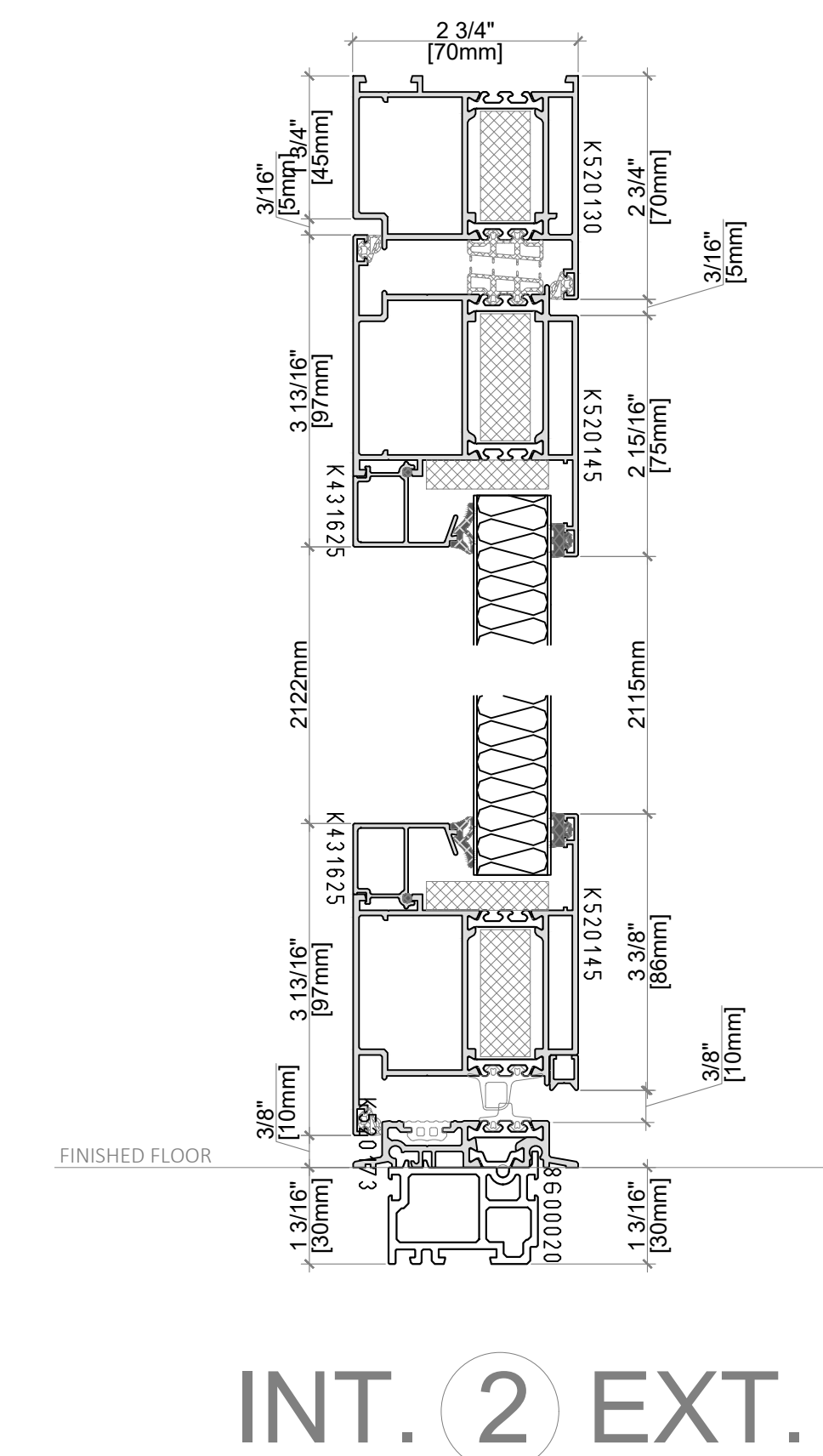
# ALUPROF 79mm Product Guide

Alu79; Optional - MB79N SI + 40 - Utility Door

## Exterior View



## Vertical Cross Section



### Notes:

**Frame System:** Aluprof MB-79N  
**Thermal Options:** E / ST / SI

**Configurations:** Single Sash  
**Optional:** Double Sash - Sidelights & Transoms

**Color:**  
Interior: 10 Standard RAL Colors - Split Finish Option  
Exterior: 10 Standard RAL Colors - Split Finish Option

**Glass or Panel:** Aluminum Panel | 48mm Filled w/ Foam  
**Optional:** Full or Partial Insulated Panels

**IGU Configuration:** Options Available upon Request

**Swing:** Outswing  
**Optional:** Inswing

**Hinge Side:** Left or Right

**Hinges:** WX/MX Surface-mounted | WALA | Stainless Steel  
**Optional:** Roller Hinge | WALA | Stainless Steel

**Auto Operator (Prepped Profile):** No  
**Optional add-on:** Wider Frame or Transom Mullion (auto-operator by others).

**Door Closer:** Surface-Mounted | Dorma | Black  
**Optional:** Concealed | Silver or White

**Levers:** 35A/1200 | FKS | Stainless Steel | Interior

**Handles:** P45 600mm | WALA | Stainless Steel | Exterior

**Touch Bar:** No

**Electric Strike:** No / Optional Add-on

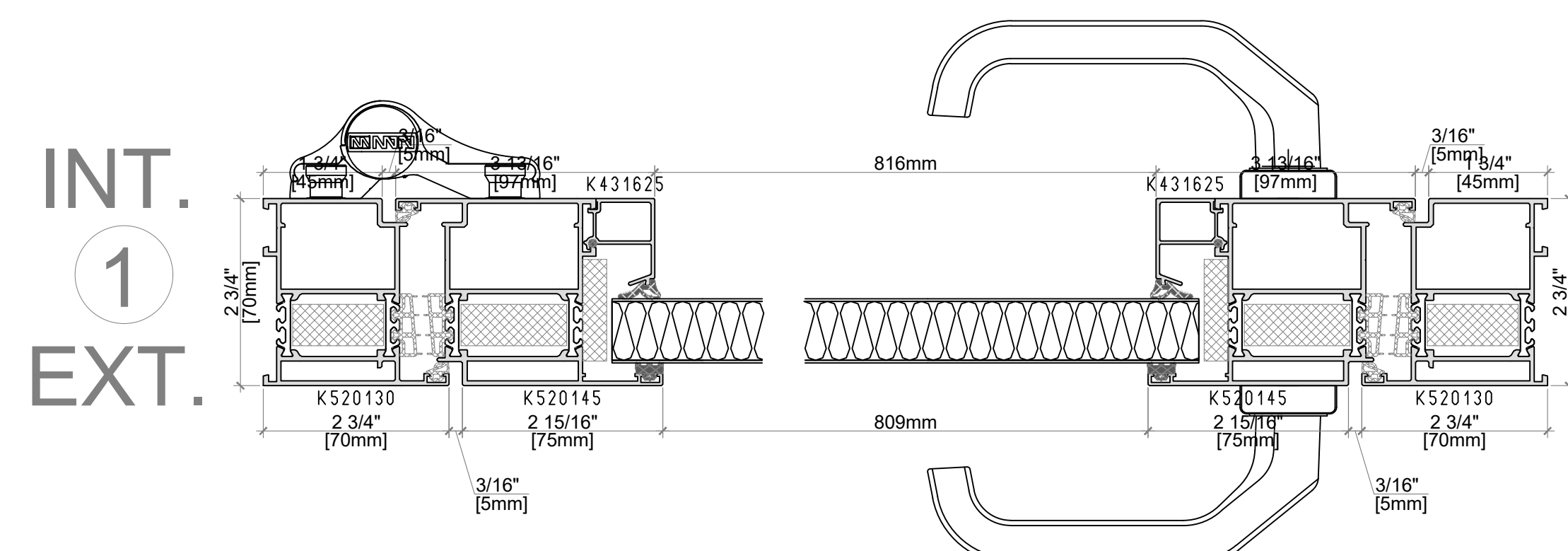
**Latches:** 3-Point Latch | Hook-Lock M | Winkhaus  
Mortise lock European-style lockcore | WILKA

**Locking:** Anti-Panic | Wilka | KEY / KEY  
Mortise Lock European-Style Lockcore | WILKA

**Bottom Kick Plate:** No

**Threshold:** Standard | Aluprof | Black | NON ADA  
**Note:** Comes with Plastic Sub-Threshold and Steel Tube Reinforcement

## Horizontal Cross Section



INT. ② EXT.

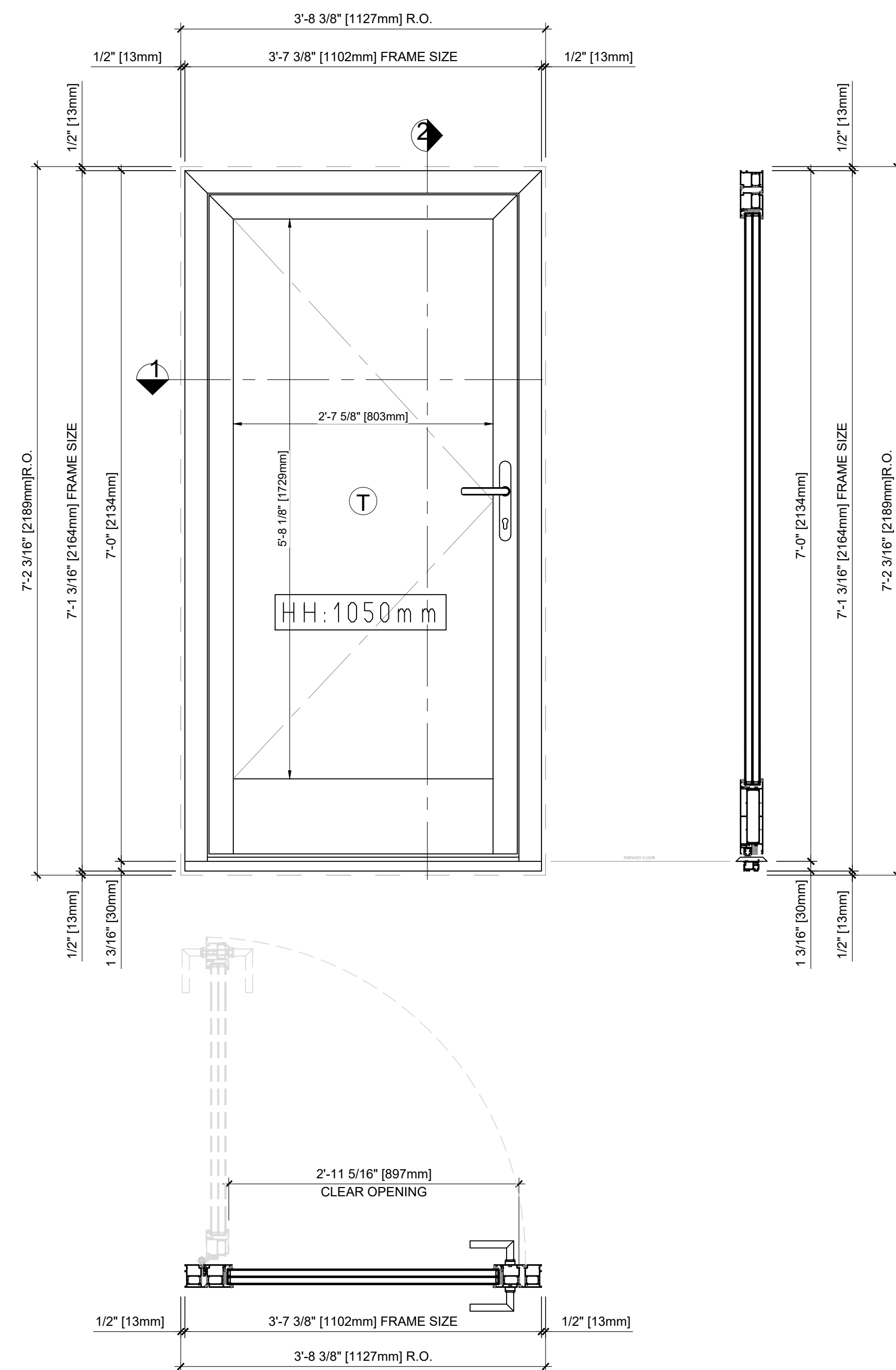




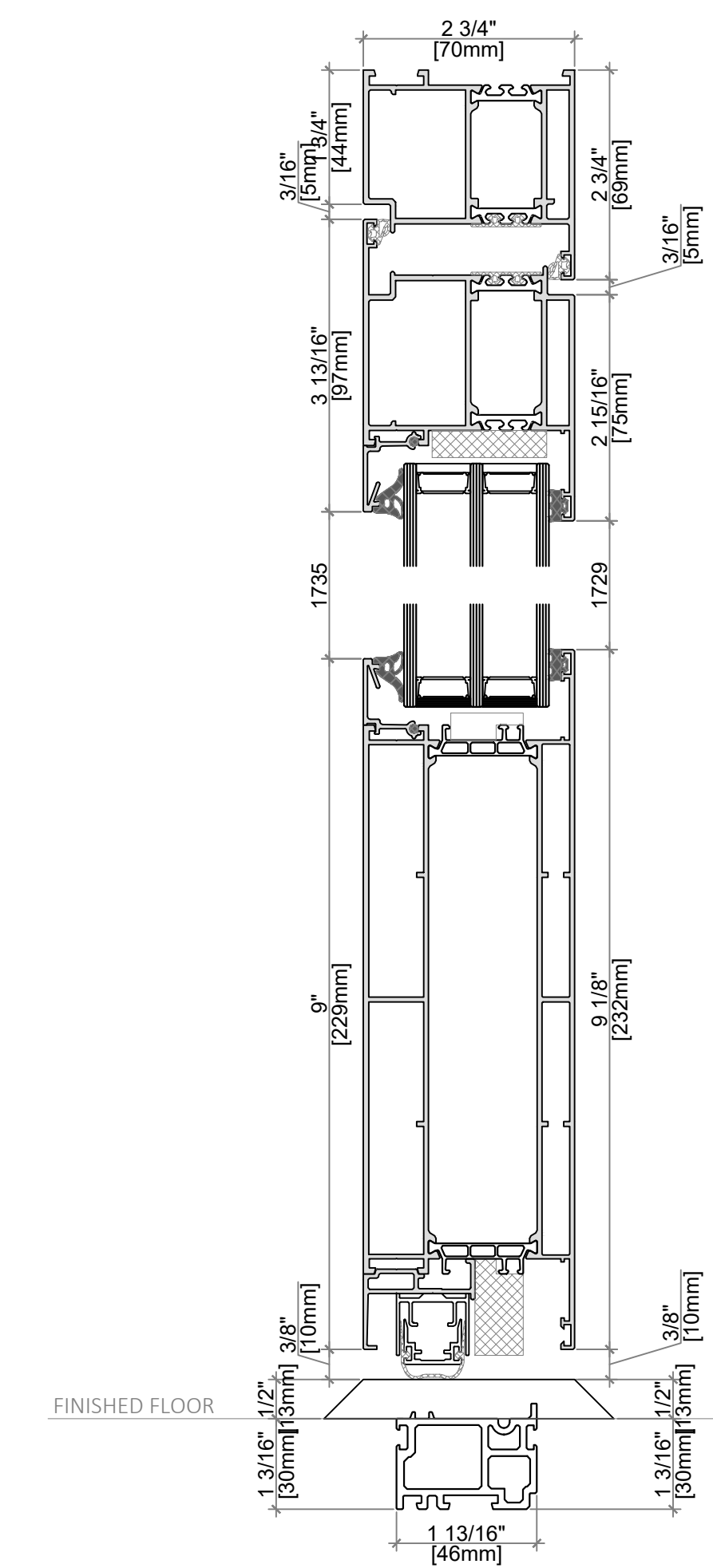
# ALUPROF 79mm Product Guide

Alu79; Non-Standard - MB79N - Custom Entry Door

## Exterior View



## Vertical Cross Section

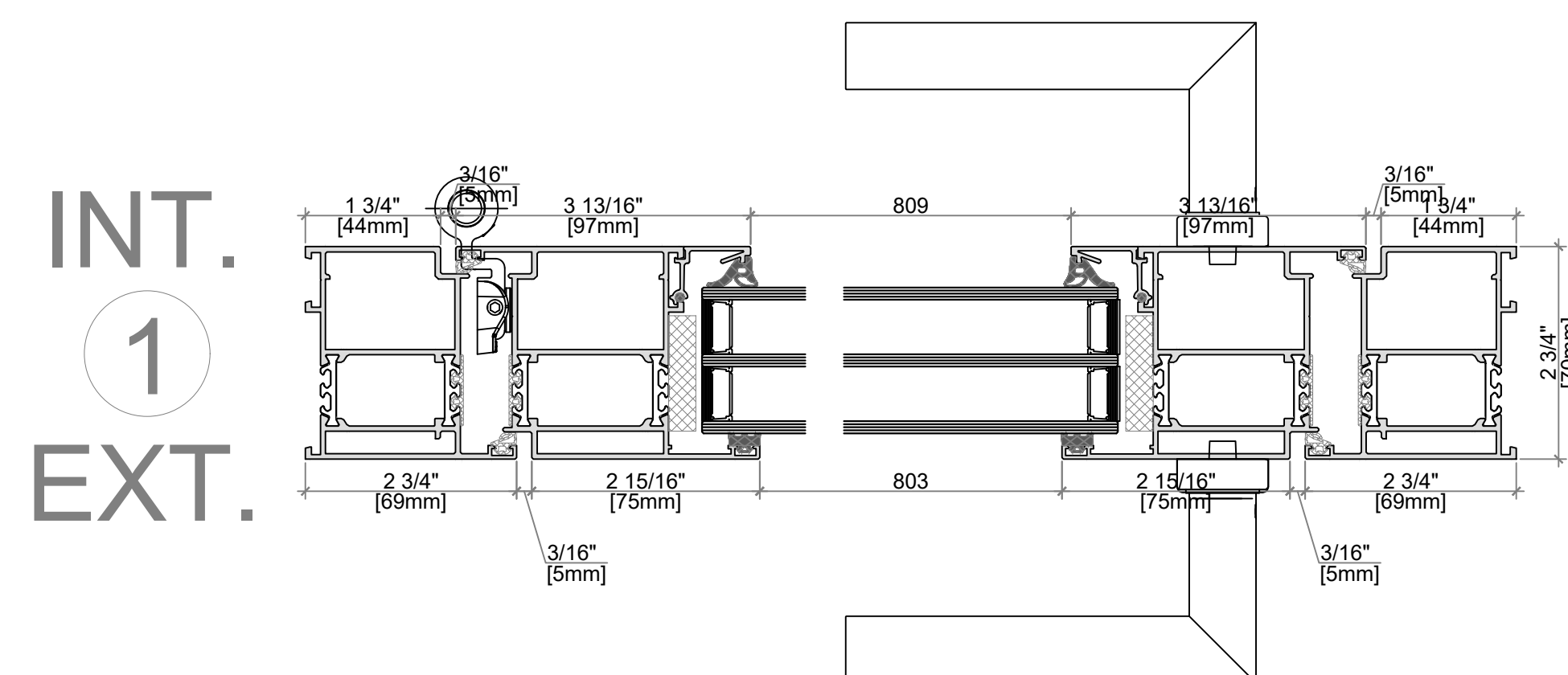


INT. ② EXT.

### Notes:

- Frame System:** Aluprof MB-79N
- Thermal Options:** E / ST / SI
- Configurations:** Single Sash
- Optional:** Double Sash - Sidelights & Transoms
- Color:** Interior: 10 Standard RAL Colors - Split Finish Option  
Exterior: 10 Standard RAL Colors - Split Finish Option
- Glass or Panel:** Full Lite
- Optional:** Full or Partial Insulated Panels
- IGU Configuration:** 3 IGU (48mm) 4TH1.1/18/4/18/4TH1.1 (NFRC/SHGC .31)  
2 Pane + Other Options Available on Request
- Swing:** Outswing
- Optional:** Inswing
- Hinge Side:** Left or Right
- Hinges:** WX/MX Surface-Mounted | WALA | Stainless Steel
- Optional:** Roller Hinge | WALA | Stainless Steel
- Auto Operator (Prepped Profile):** No
- Door Closer:** No
- Levers:** 35A/1200 | FKS | Stainless Steel | Int./Ext.
- Handles:** No
- Touch Bar:** No
- Electric Strike:** No
- Latches:** 3-pt Latch | Hook-Lock M | Winkhaus
- Locking:** Key with Interior Thumb-turn | Wilka  
Mortise Lock European-Style Lockcore | WILKA
- Bottom Kick Plate:** No
- Optional Add-On:** 300mm (12") Bottom Rail | Aluprof | Color-Matched
- Threshold:** ADA | Nylatron | Black | Drop Down Threshold
- Note:** Comes with Plastic Sub-Threshold and Steel Tube Reinforcement | Double - Brush Sweeps

## Horizontal Cross Section



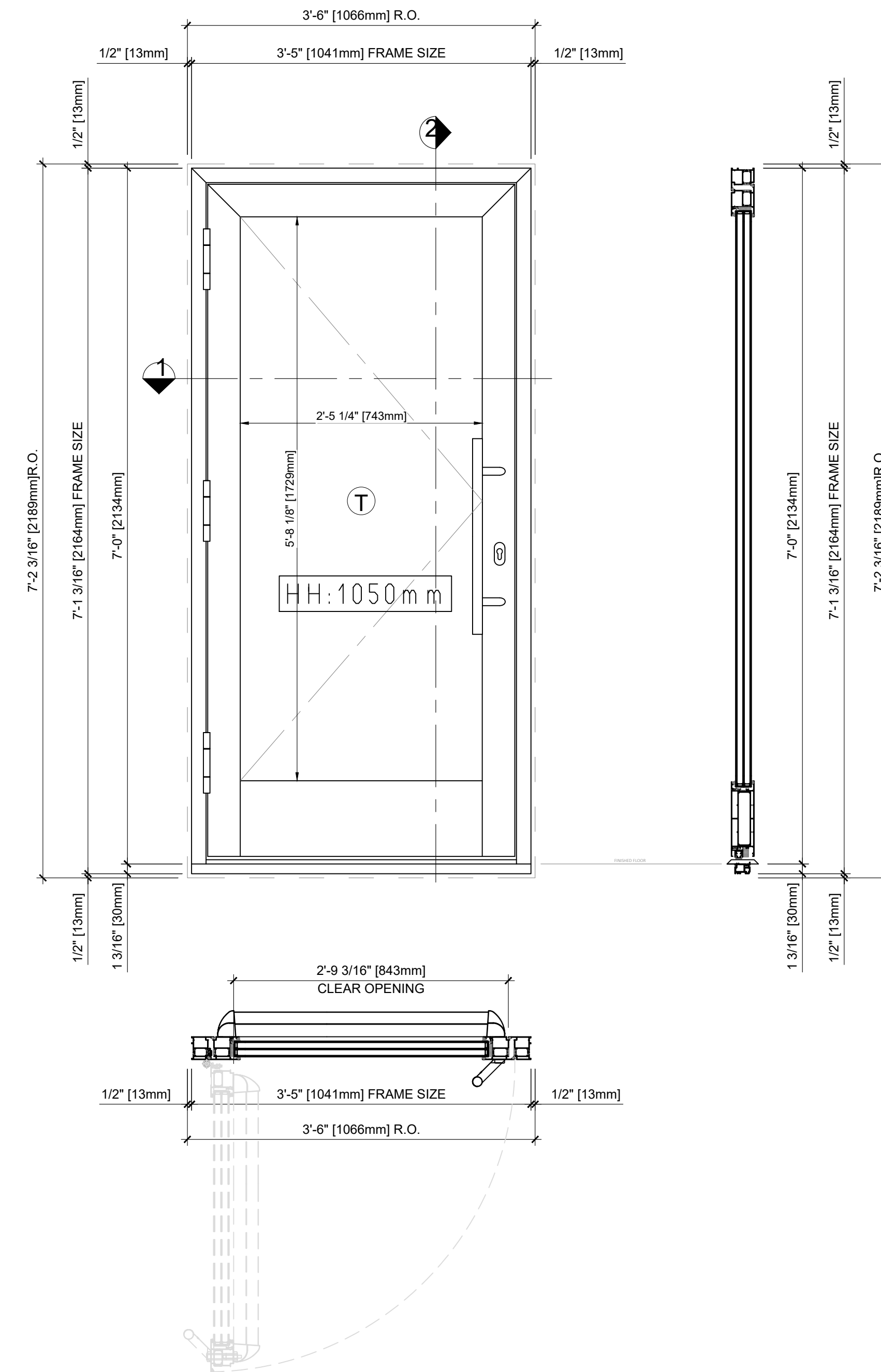


## ALUPROF MB79mm: TYPICAL DOOR CONFIGURATIONS

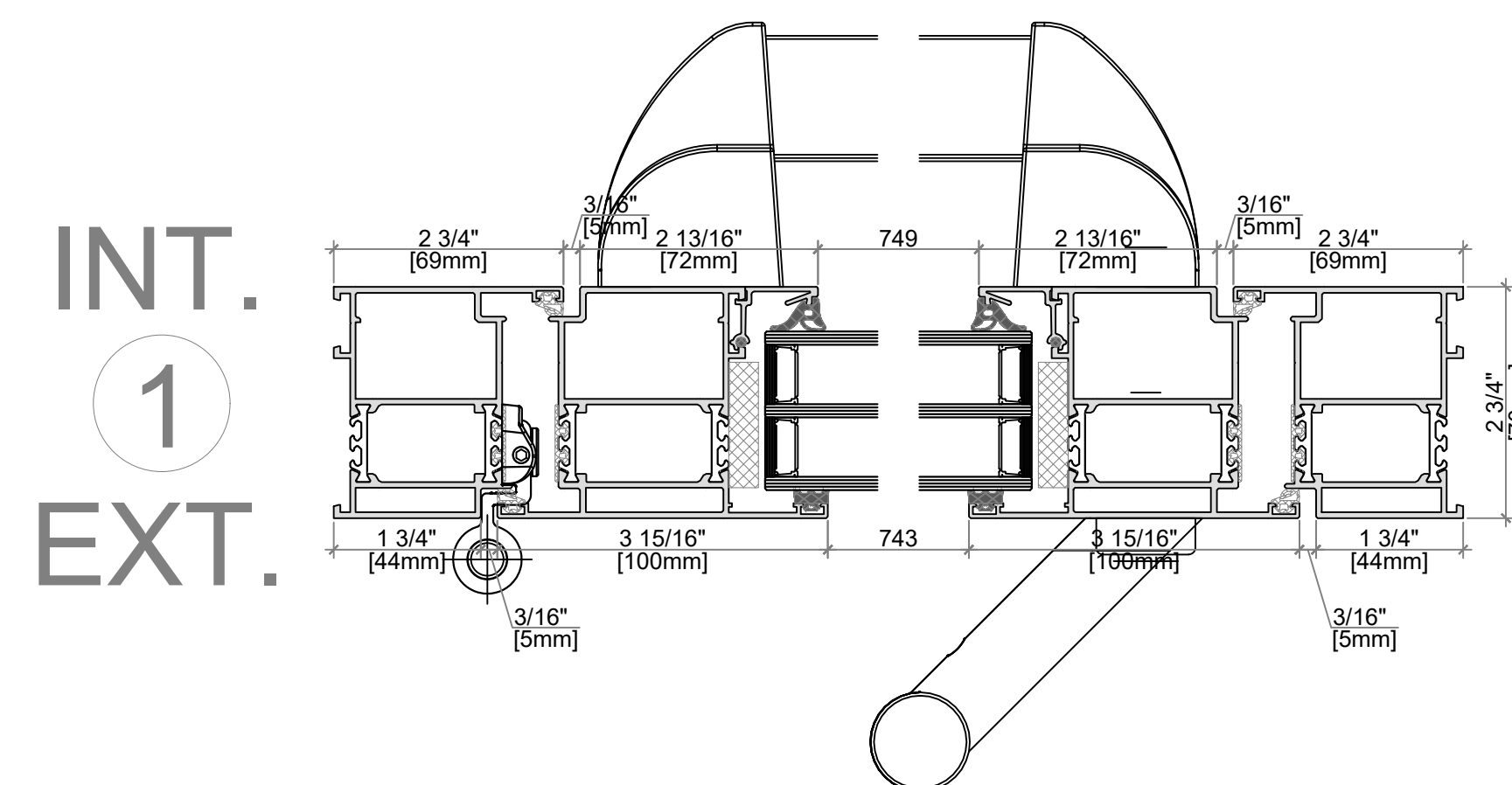
# ALUPROF 79mm Product Guide

Alu79; Single Entry Door - Outswing

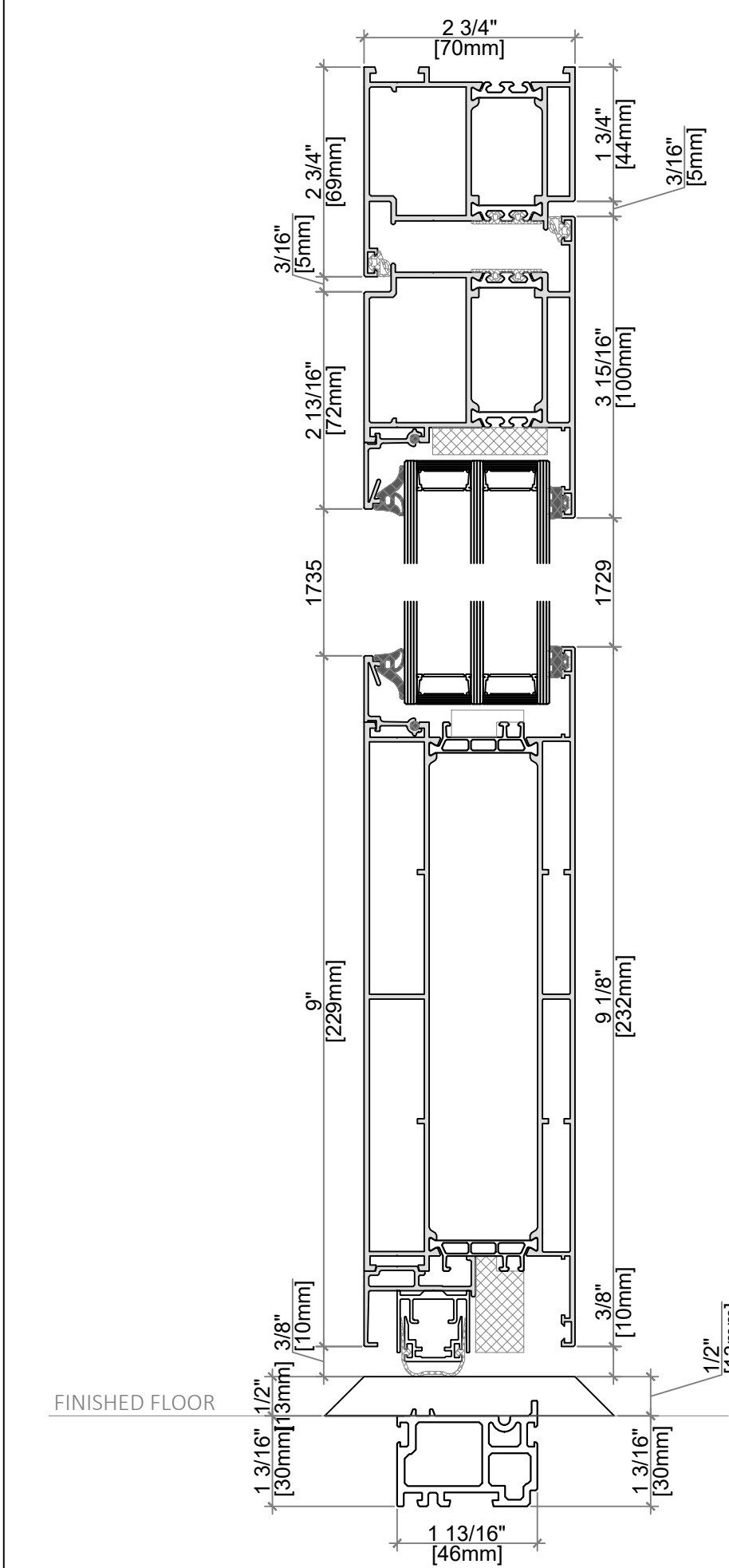
## Exterior View



## Horizontal Cross Section



## Vertical Cross Section



INT. 2 EXT.

### NOTES:

**Frame System:**  
Aluprof MB-79N ST

**Fitting Type:**  
Entry Door - Out Swing

**Hardware Set: 2**

**Profile views (outside):**  
Jamb: K520131 (44.5 mm)  
Bottom Rail: K520059 (232 mm)  
Door Leaf: K520147 (100 mm)

**Color:**  
Interior: Anthracite Grey  
Finish: Matte

**Exterior:** Anthracite Grey  
Finish: Matte

**Glazing:**  
ESG 4T1.0/18 Ar/ESG 4/18 Ar/ESG 4T1.0  
(Tempered)  
Ug - .08 [Btu/(H Sq Ft °F)]  
Spacer: Warm Edge Black (RAL9004)  
SHGC - .38  
STC - 33

**U Factor:**  
0.22 [Btu/(H Sq Ft °F)]

**Touch Bar:**  
Yes, ECO Schulte - Stainless Steel

**Handle:**  
Pull Handle, Exterior, WALA P45 600mm, Stainless Steel

**Door Closer:**  
No

**Hinges:**  
WALA - Roller Hinges - Stainless Steel

**Weight:**  
152 lbs

**Auto Operator Pre:** Yes, (Operator by Others)

**Threshold:**  
ADA - Nylatron with Plastic Sub Threshold and Steel Insert

**Latches:** Wilka Single Point

**Locking:**  
Key / Key (w/ Mortise Lock / Euro-Style Lock Core, Anti Panic

**Note:**  
Available In Double & Triple Glazed.

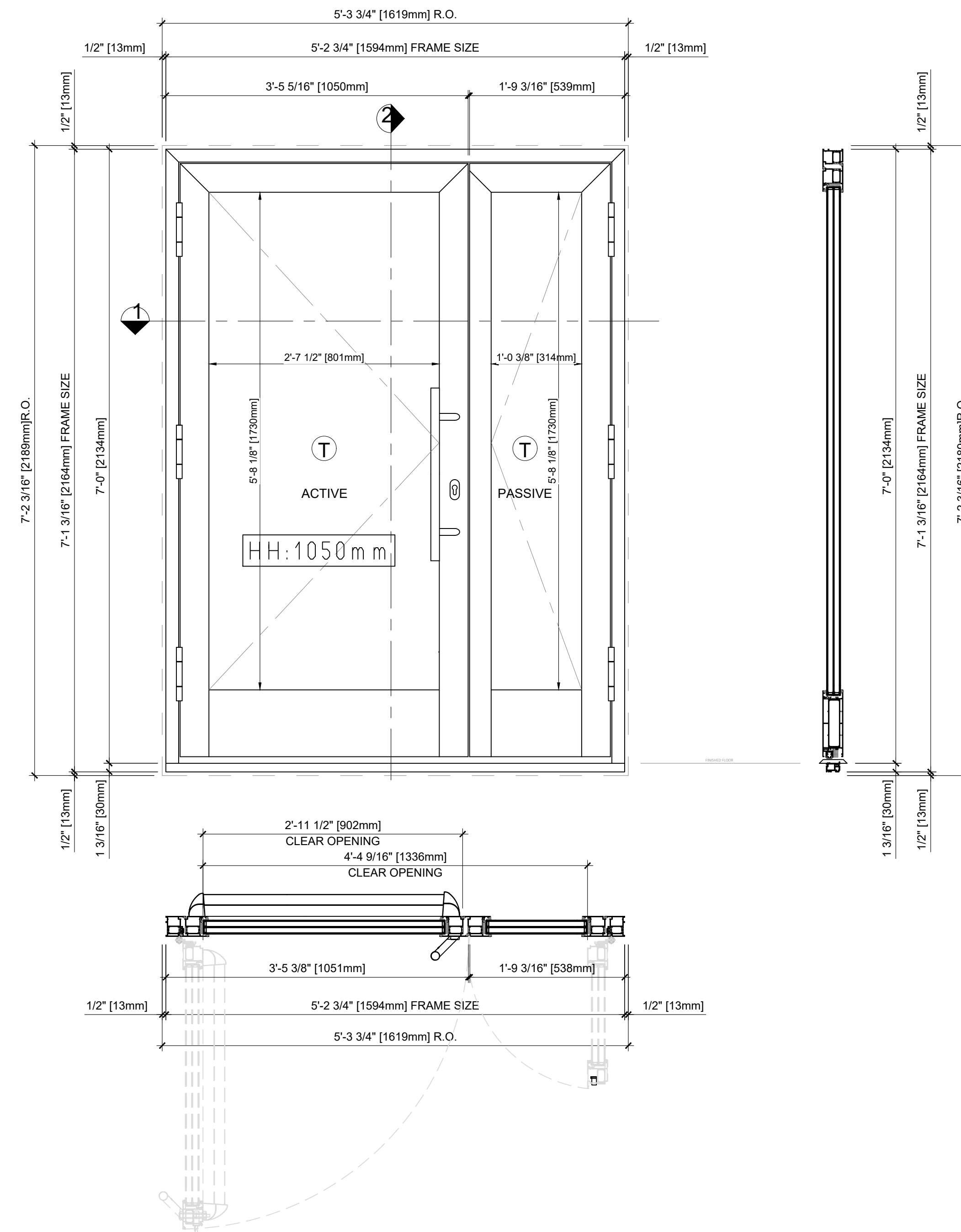




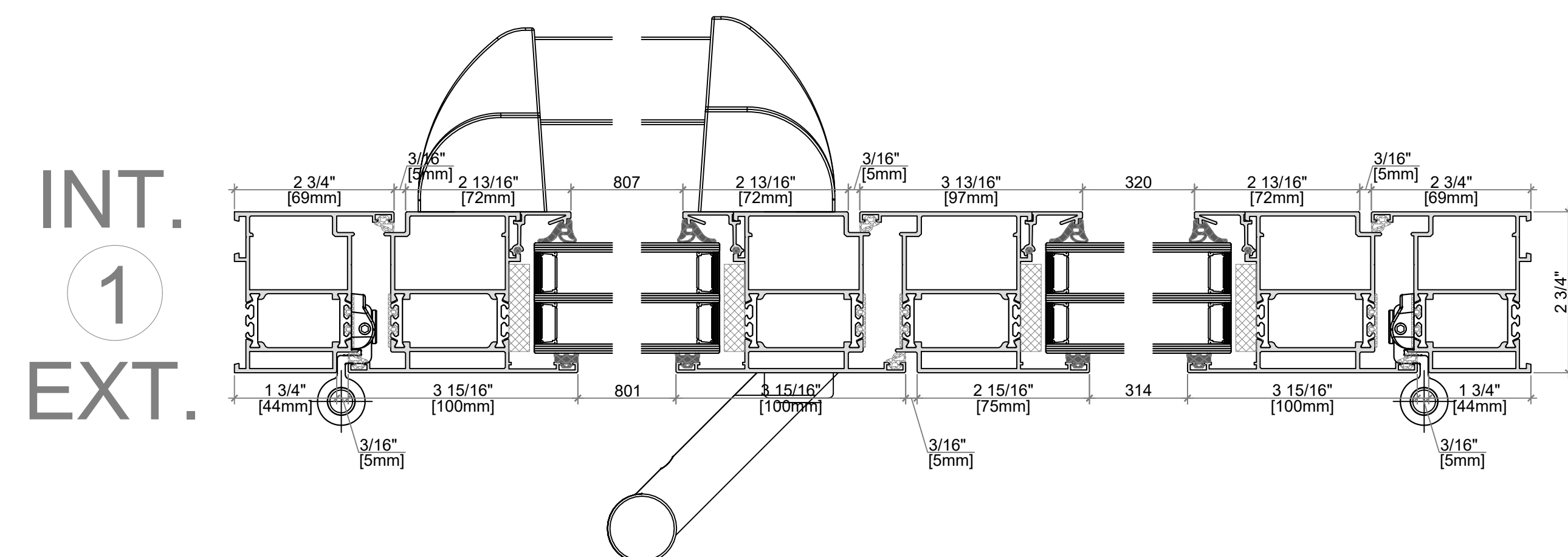
# ALUPROF 79mm Product Guide

Alu79; Single Entry Door - Outswing

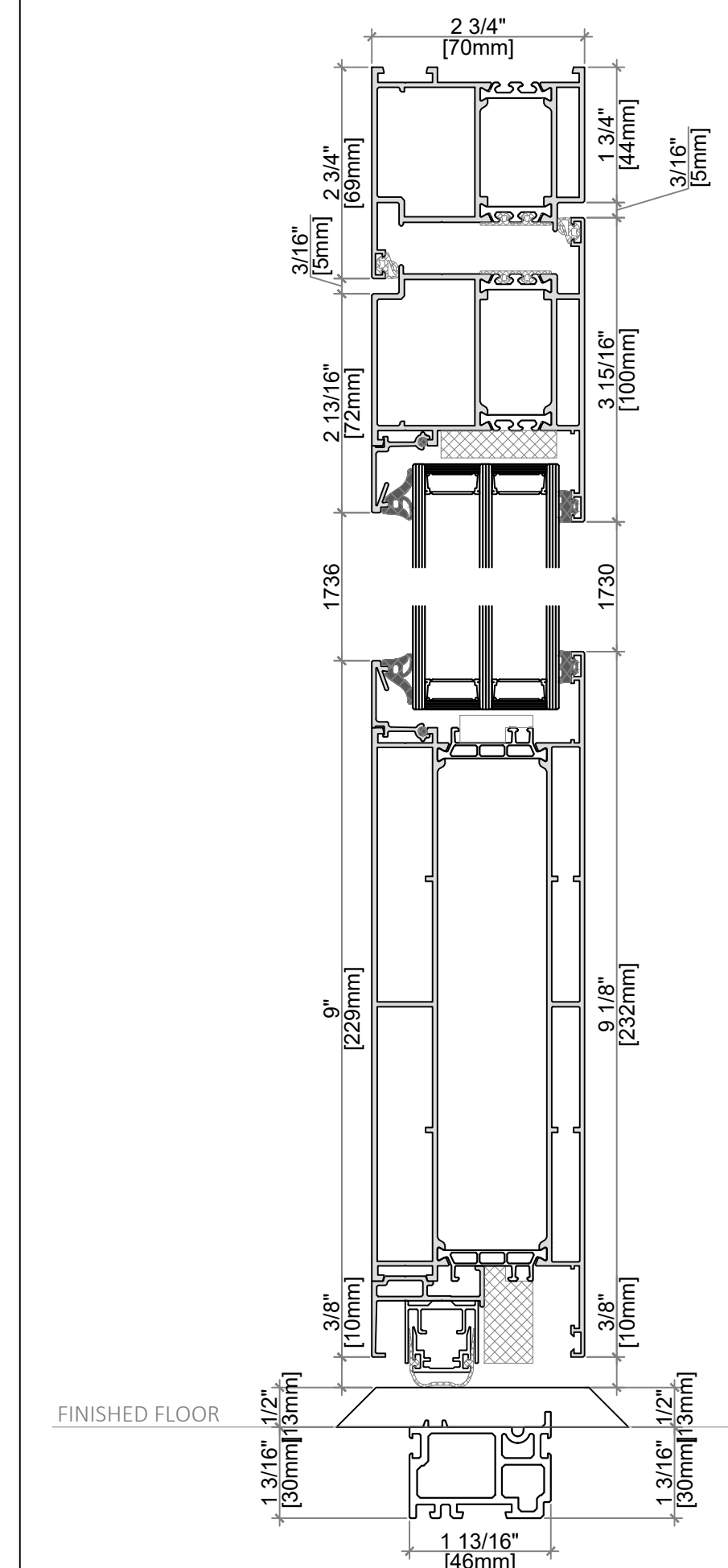
## Exterior View



## Horizontal Cross Section



## Vertical Cross Section



INT. 2 EXT.

### NOTES:

**Frame System:**  
Aluprof MB-79N ST

**Fitting Type:**  
Entry Door - Out Swing (Active & Passive)

**Hardware Group:** 2

**Profile views (outside):**  
Jamb: K520131 (44.5 mm)  
Bottom Rail: K520059 (232 mm)  
Door Leaf: K520147 (100 mm), K520145 (75 mm)

**Color:**  
Interior: Anthracite Grey  
Finish: Matte

Exterior: Anthracite Grey  
Finish: Matte

**Glazing:**  
ESG 4T1.0/18 Ar/ESG 4/18 Ar/ESG 4T1.0  
(Tempered)  
Ug - .08 [Btu/(H Sq Ft °F)]  
Spacer: Warm Edge Black (RAL9004)  
SHGC - .38  
STC - 33

**U Factor:**  
0.21 [Btu/(H Sq Ft °F)]

**Touch Bar:** Yes, ECO Schulte - Stainless Steel

**Handle:**  
Pull Handle, Exterior, WALA P45 600mm,  
Stainless Steel

**Door Closer:** No

**Hinges:**  
WALA - Roller Hinges - Stainless Steel

**Weight:**  
304 lbs

**Auto Operator Pre:** Yes (Operator by Others)

**Threshold:** ADA - Nylatron with Plastic Sub  
Threshold and Steel Insert

**Latches:** WALA Single Point

**Locking:** Key/Key - WILKA with Mortise Lock,  
Euro-style Lock Core, Anti Panic

**Electric Strike:** Yes

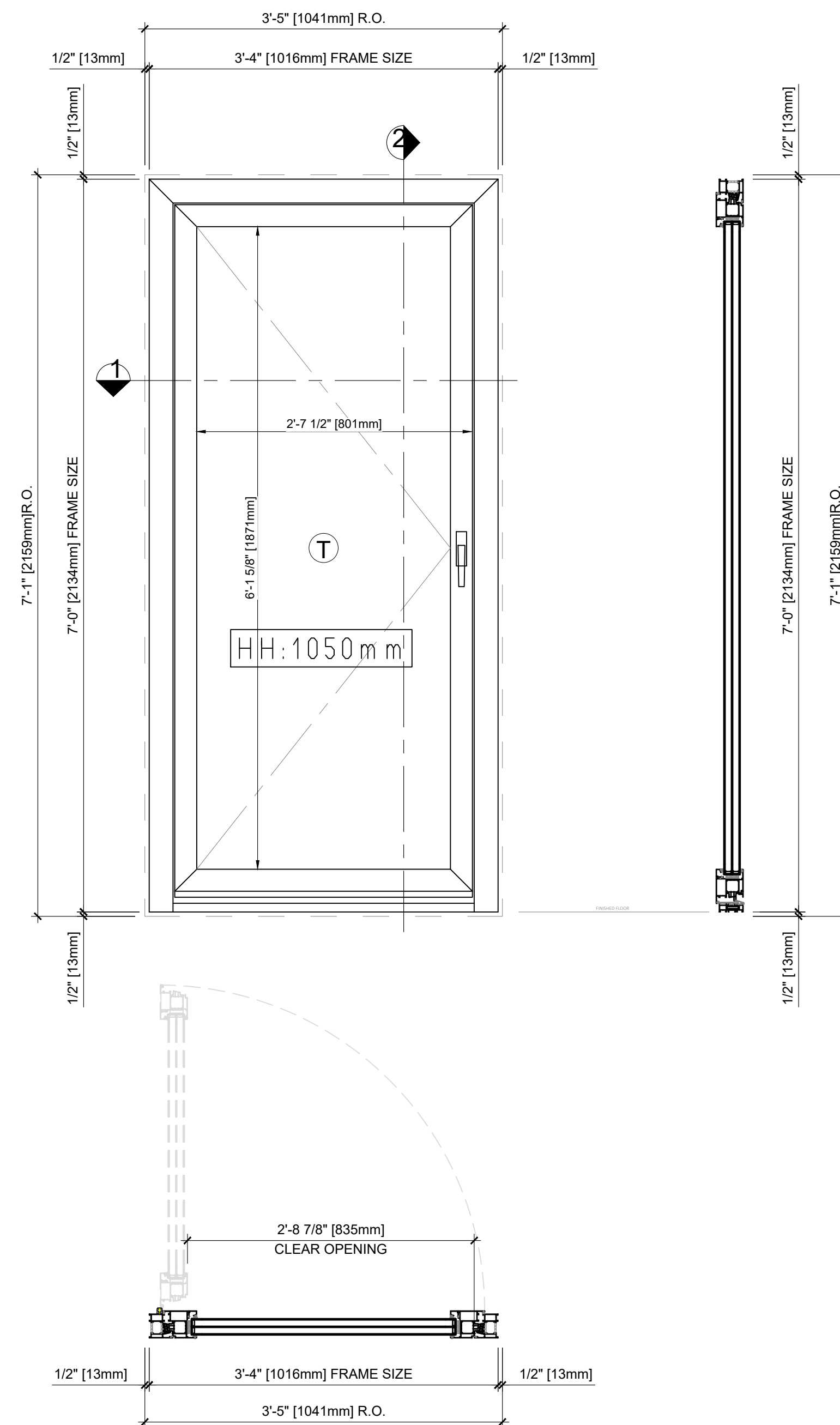
**Note:**  
Available In Double & Triple Glazed.



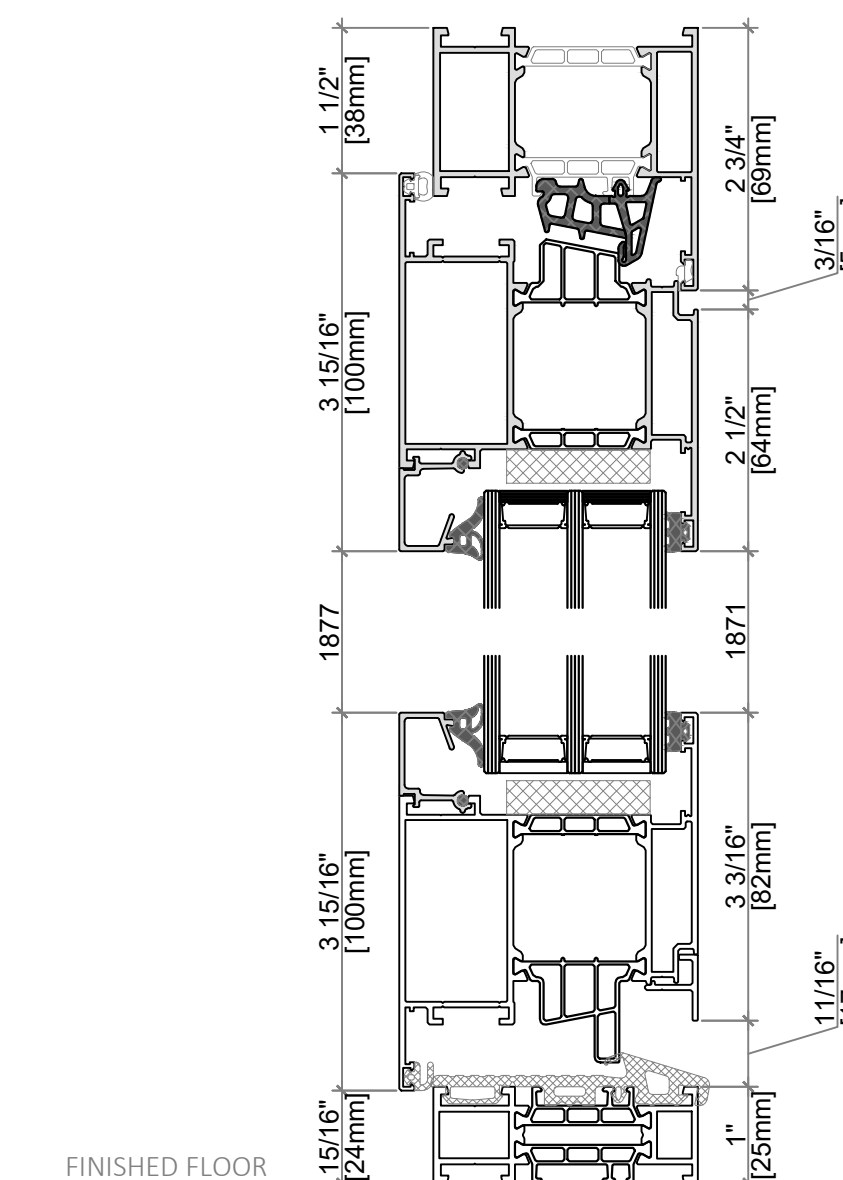
# ALUPROF 79mm Product Guide

Alu79; Optional - Single Patio Door - Inswing

## Exterior View



## Vertical Cross Section



INT. 2 EXT.

**NOTES:**

**Frame System:**  
Aluprof MB-79N ST

**Fitting Type:**  
Patio Door

**Profile views (outside):**  
Jamb: K520012 (69.5 mm), K520200 (25.5 mm)  
Window Vent: K520104 (64 mm), K520108 (64 mm)

**Color:**  
Interior: Anthracite Grey  
Finish: Matte

Exterior: Anthracite Grey  
Finish: Matte

**Glazing:**  
ESG 4T1.0/18 Ar/ESG 4/18 Ar/ESG 4T1.0  
(Tempered)  
Ug - .08 [Btu/(H Sq Ft °F)]  
Spacer: Warm Edge Black (RAL9004)  
SHGC - .38  
STC - 33

**U Factor:**  
0.17 [Btu/(H Sq Ft °F)]

**Touch Bar:**  
No

**Handle:**  
FKS 35A/1200

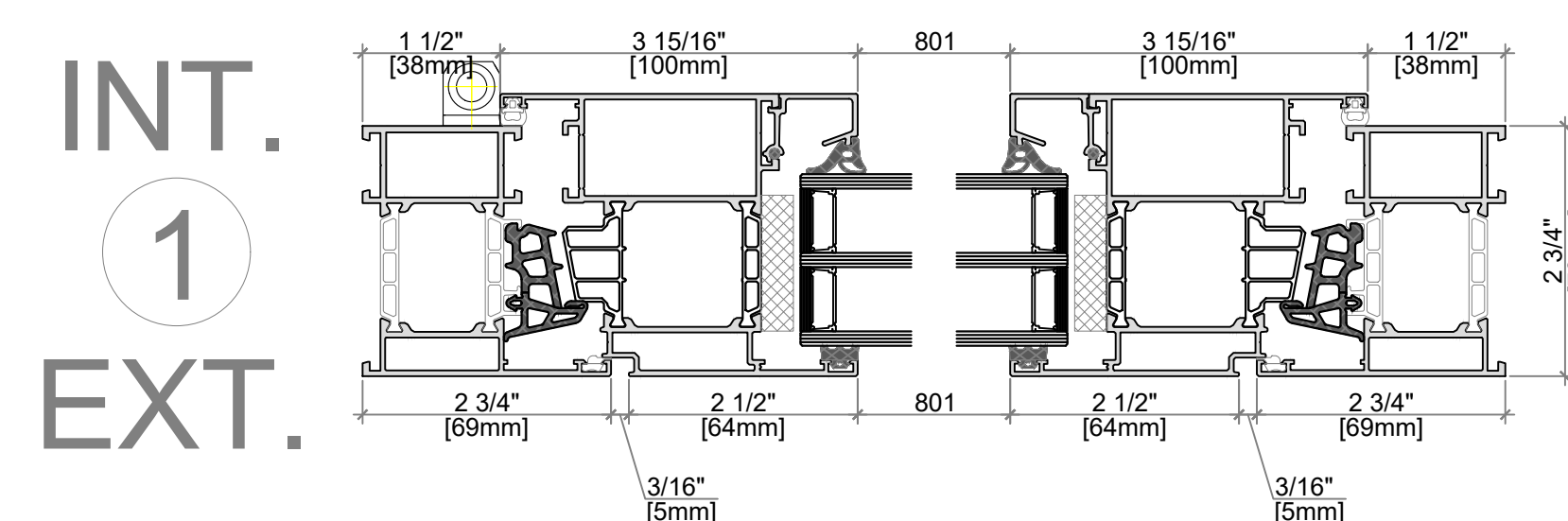
**Door Closer:**  
No

**Hinges:**  
Inside and Out with Keyed Exterior and Interior  
Thumb Lock

**Weight:**  
163 lbs

**Note:**  
Available In Double & Triple Glazed.

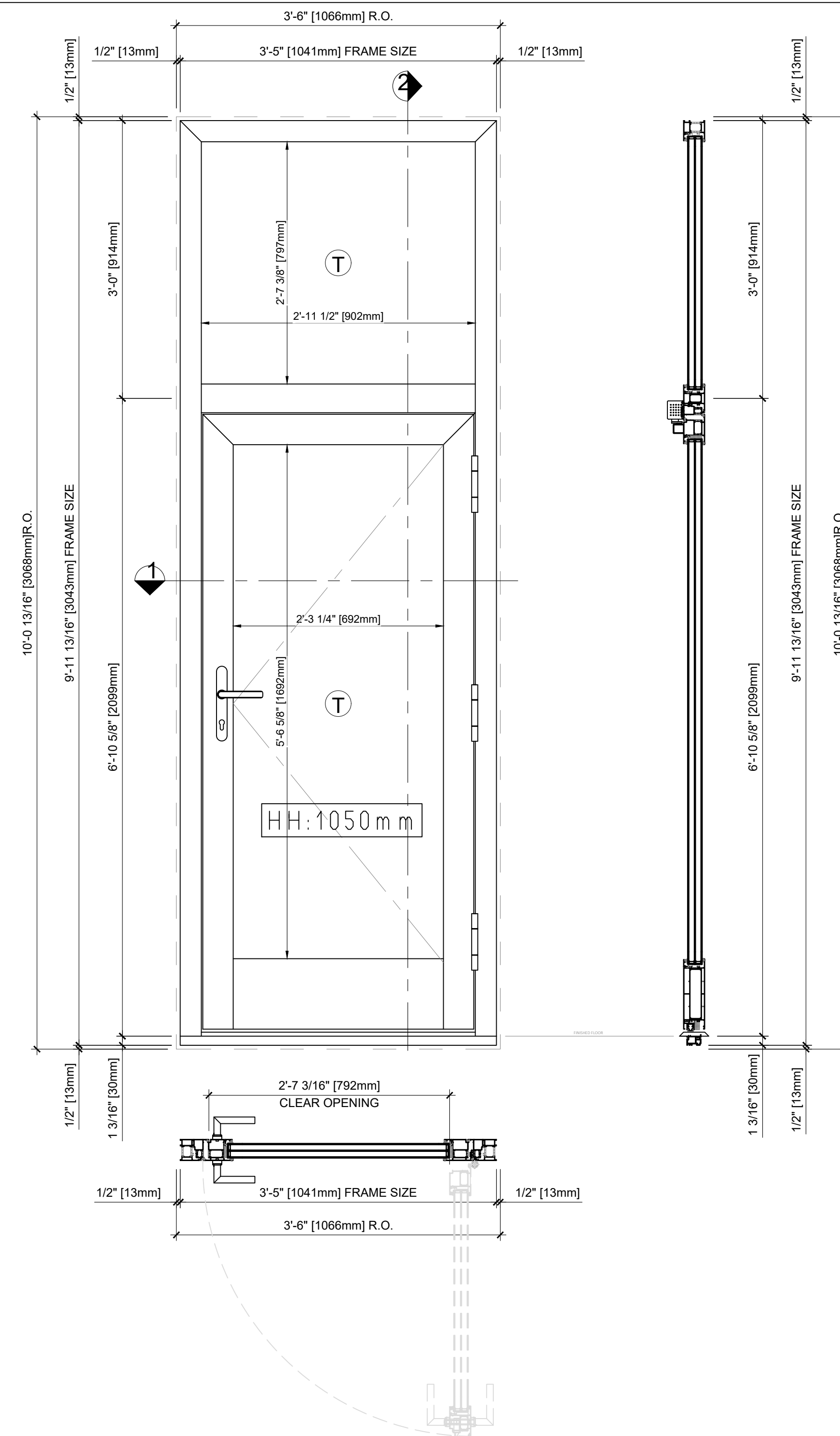
## Horizontal Cross Section



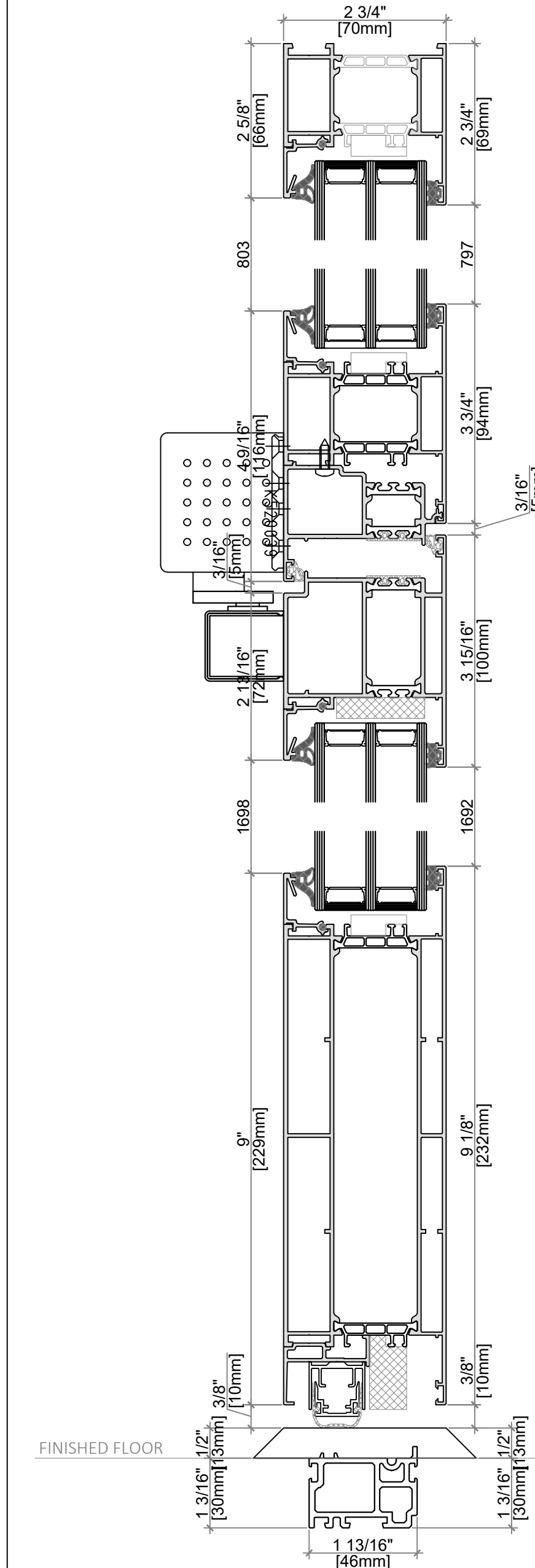
# ALUPROF 79mm Product Guide

Alu79; Optional - MB79N - Residential Single Entry Door With ADA Threshold - Outswing

## Exterior View



## Vertical Cross Section



### NOTES:

**Frame System:**  
Aluprof MB-79N ST

**Fitting Type:**  
Entry Door - Out Swing

**Hardware Group:** 1

**Profile views (outside):**  
Jamb: K520012 (69.5 mm)  
Bottom Rail: K520059 (232 mm)  
Intermediate: K520052\_1130 (94.5 mm)  
Door Leaf: K520147 (100 mm)

**Color:**  
Interior: Anthracite Grey  
Finish: Matte

Exterior: Anthracite Grey  
Finish: Matte

**Glazing:**  
ESG 4T1.0/18 Ar/ESG 4/18 Ar/ESG 4T1.0  
(Tempered)  
Ug - .08 [Btu/(H Sq Ft °F)]  
Spacer: Warm Edge Black (RAL9004)  
SHGC - .38  
STC - 33

**U Factor:**  
0.21 [Btu/(H Sq Ft °F)]

**Touch Bar:** No

**Levers:**  
Yes, Interior & Exterior, FKS 35A/1200,  
Stainless Steel

**Door Closer:**  
Yes, Dorma, Silver, Surface Mounted

**Hinges:**  
WALA - Roller Hinges - Stainless Steel

**Weight:**  
220 lbs

**Auto Operator Pre:** No

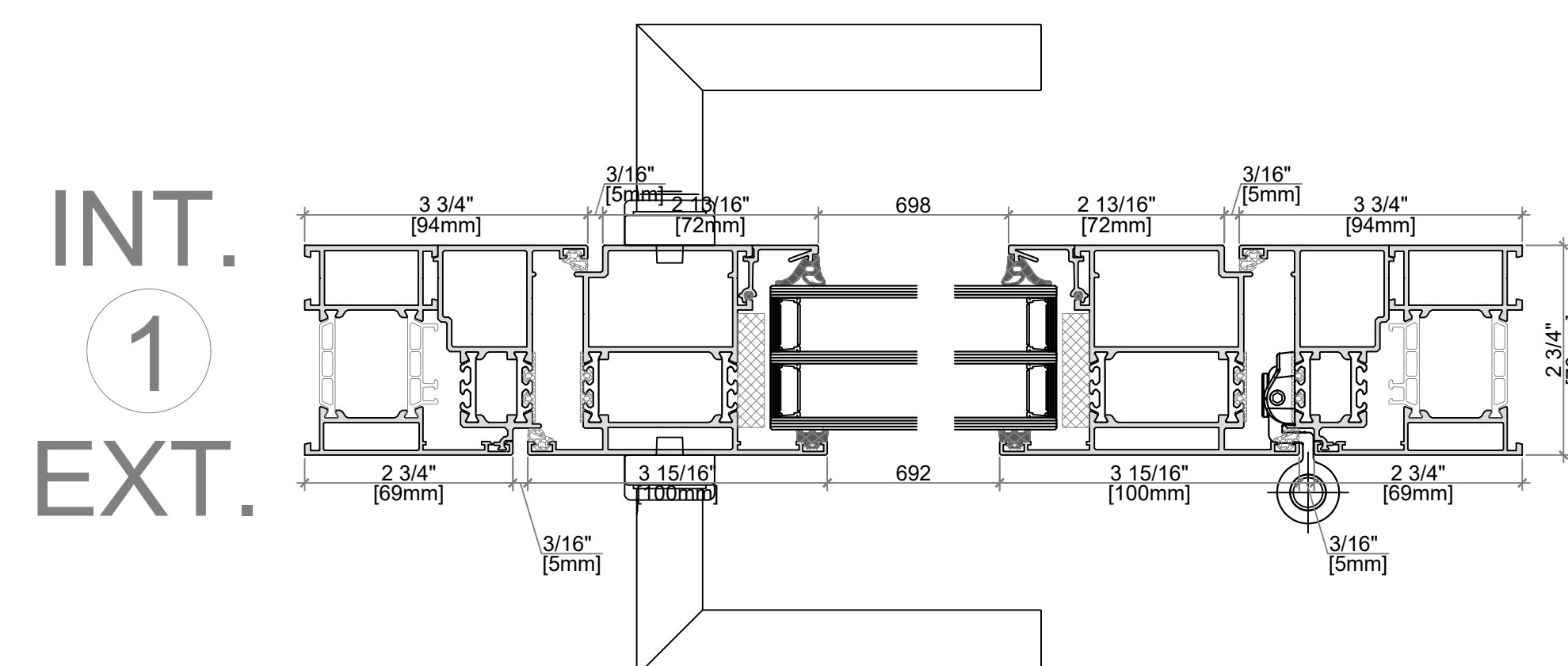
**Threshold:** ADA - Nylatron with Plastic Sub  
Threshold and Steel Insert

**Latches:** WILKA Multi Point, Anti Panic

**Locking:** WILKA w/ Mortise Lock, Euro-Style  
Lock Core

**Note:**  
Available In Double & Triple Glazed.

## Horizontal Cross Section

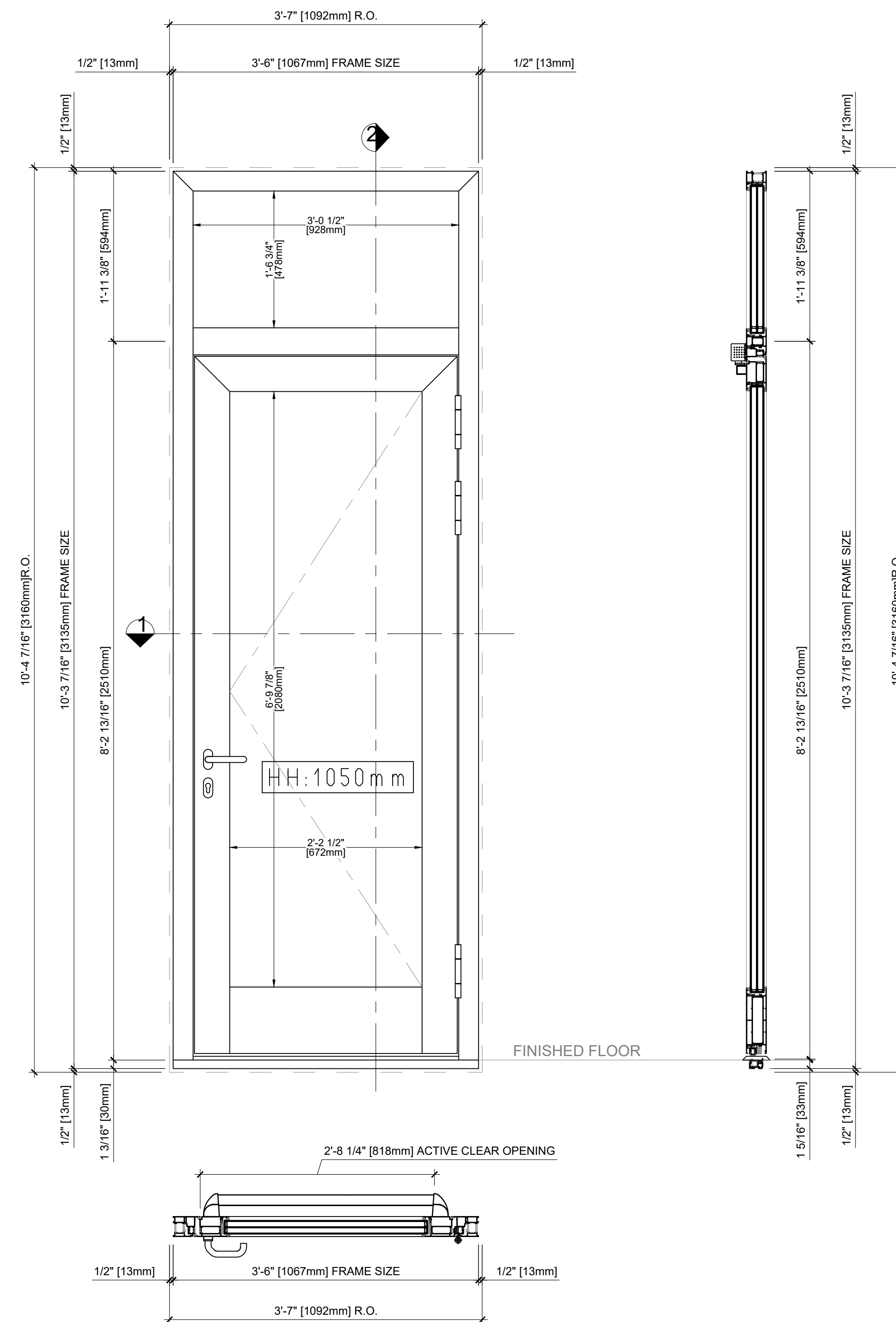


INT. ② EXT.

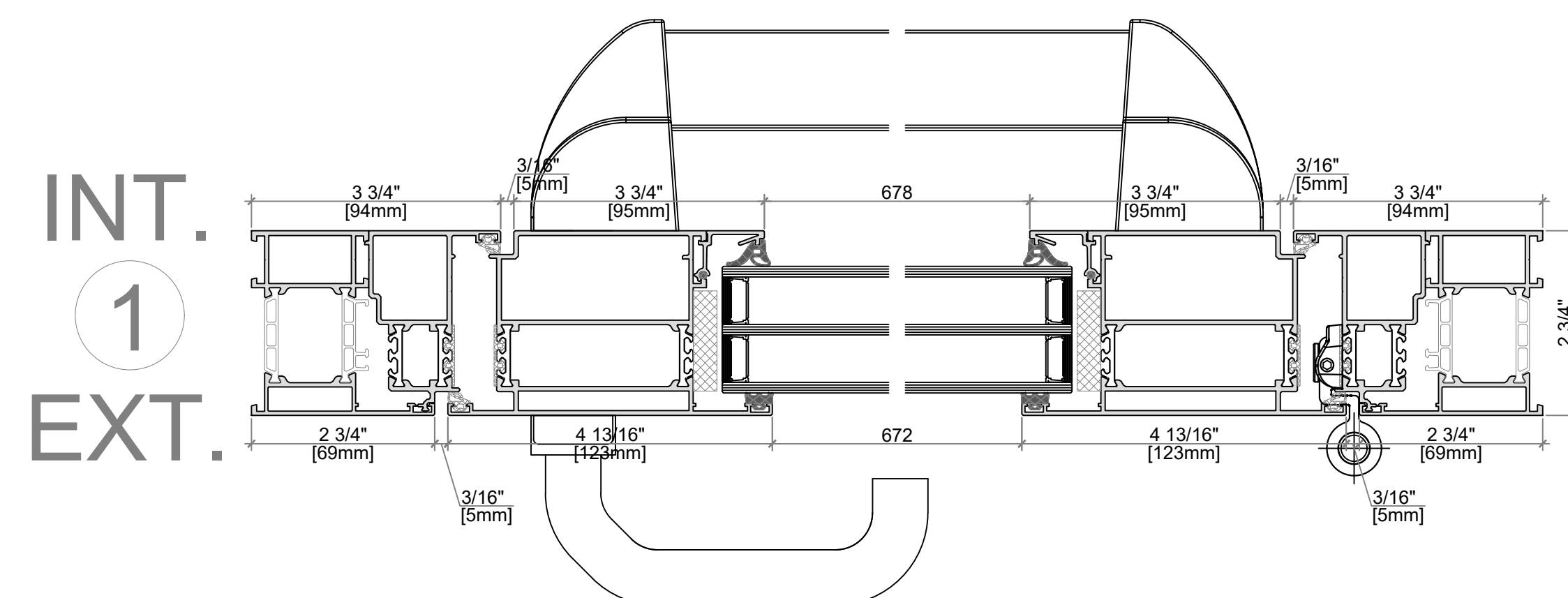
# ALUPROF 79mm Product Guide

Alu79; Optional - Single Egress Door With ADA Threshold - Outswing

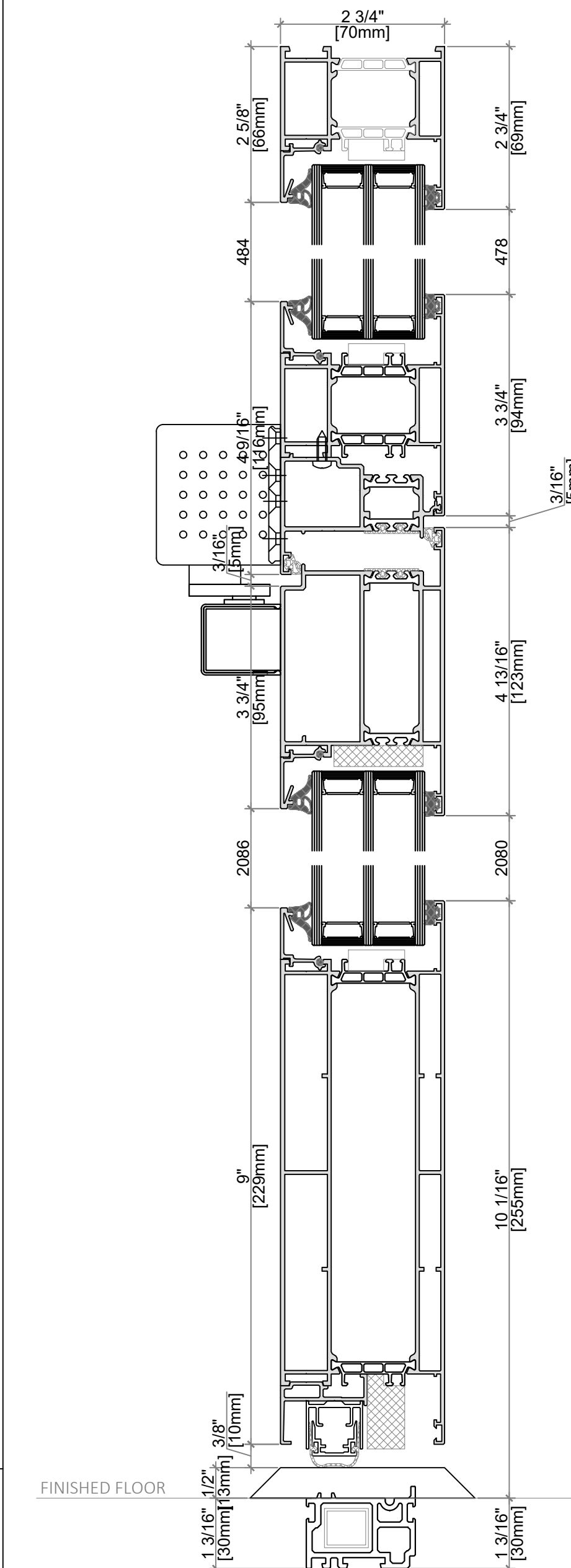
## Exterior View



## Horizontal Cross Section



## Vertical Cross Section



### NOTES:

**Frame System:**  
Aluprof MB-79N

**Fitting Type:**  
Entry/Single Door - Outswing

**Color:**  
Interior: Black (RAL 9005)  
Finish: Matte

**Exterior:** Black (RAL 9005)  
Finish: Matte

**Glazing:**  
4T/18 Ar/4/18 Ar/ 4T - Tempered  
Ug - .08 [Btu/(H Sq Ft °F)]  
Spacer: Warm Edge Black (RAL9004)  
SHGC - .38  
STC - 33

**Handle:**  
No

**Hinges:**  
3 pt WALA Roller - Stainless Steel

**Touch Bar:**  
Yes, Interior - Eco EPN2000 II - Stainless Steel

**Levers:**  
Yes, Exterior FKS35A/1200 - Stainless Steel

**Operator Prep:**  
No

**Door Closer:**  
Yes - Dorma TS93 B - Black

**Threshold:**  
Nylatron ADA with subthreshold - black

**Locking:**  
Key/Key

**Electric Strike:**  
No

**U Factor:**  
0.22 [Btu/(H Sq Ft °F)]

**Weight:**  
231 lbs

**Shipping:**  
De-glazed

**Note:**  
Available In Double & Triple Glazed.

**Note:**  
Bottom Rail Raised 10mm Off AFF

INT. 2 EXT.

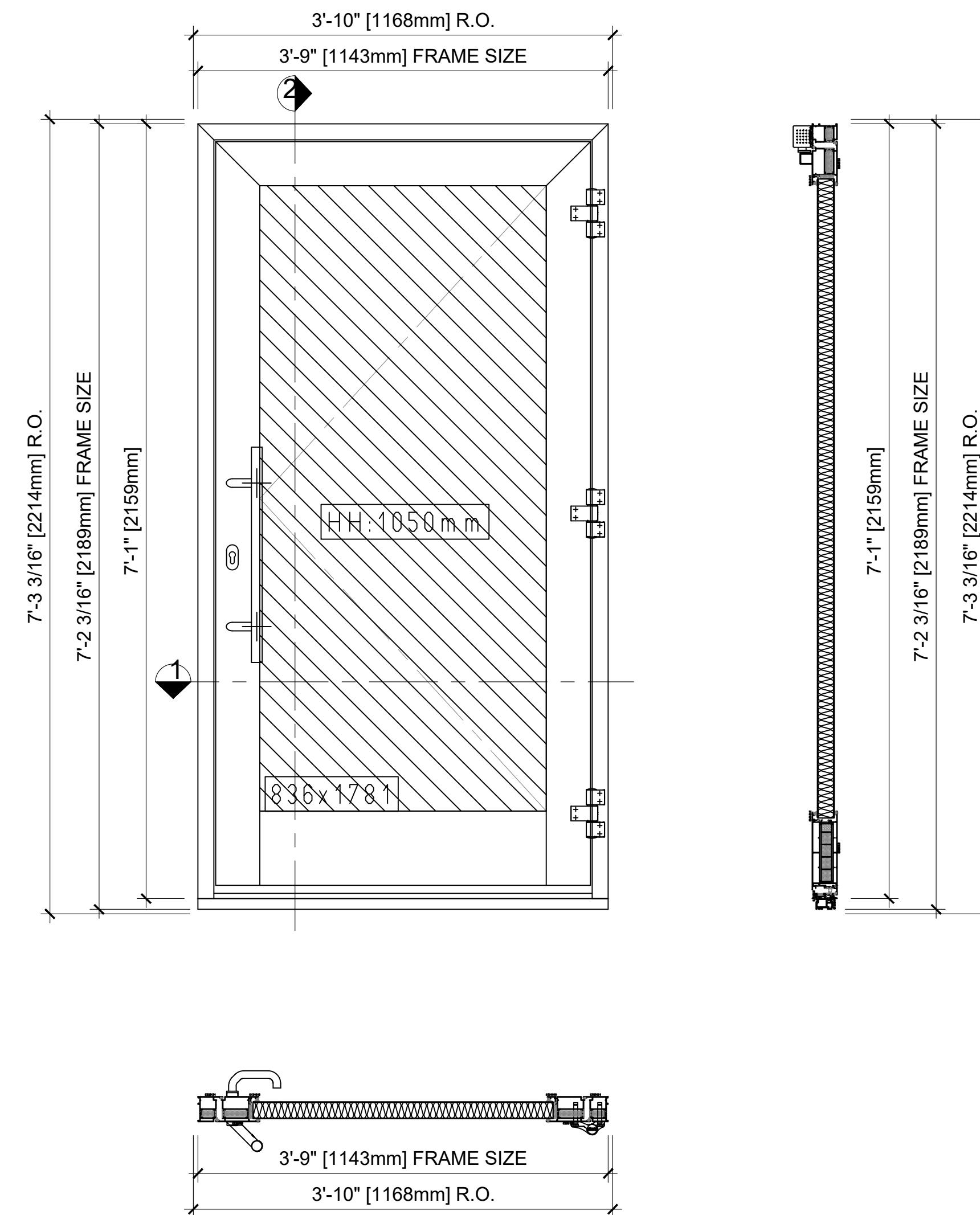




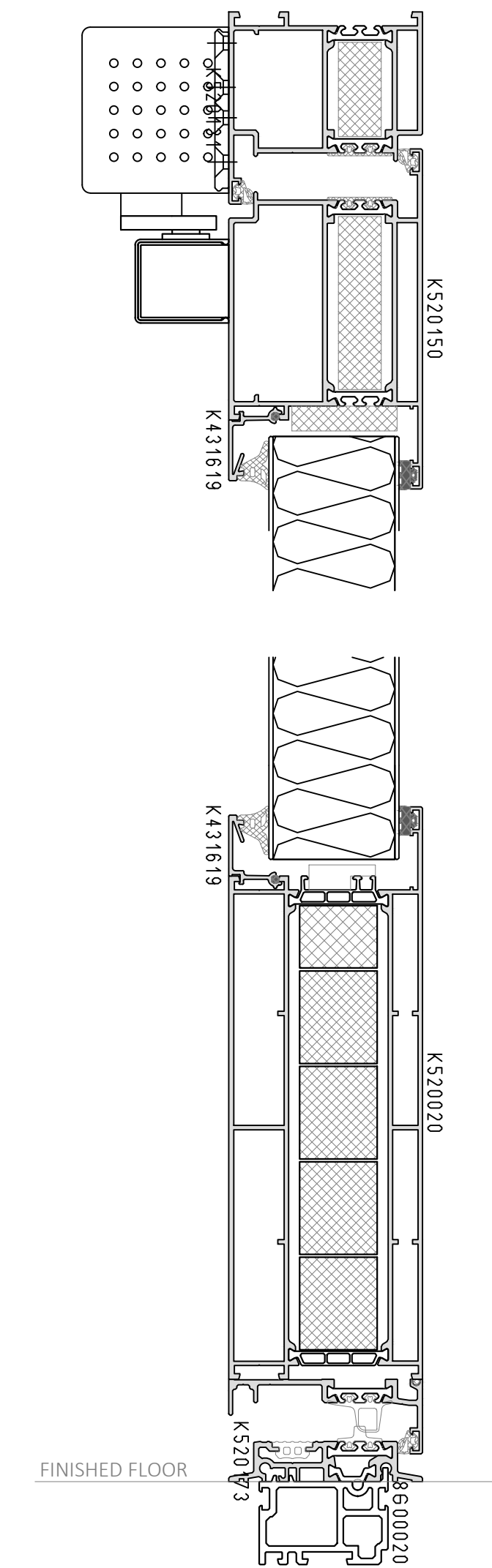
# ALUPROF 79mm Product Guide

Alu79; Optional - Commercial Egress Door - Non ADA - Outswing

## Exterior View



## Vertical Cross Section



**NOTES:**

**Frame System:**  
Aluprof MB-79N SI

**Fitting Type:**  
Entry Door Non ADA - Out Swing

**Color:**  
Interior: Grey Brown (RAL 8019)  
Finish: Matte

Exterior: Grey Brown (RAL 8019)  
Finish: Matte

**Glazing:**  
1 x Panel 1.5 Alu gr. 47mm

**U Factor:**  
0.123 [Btu/(H Sq Ft °F)]

**Auto Operator Prep:** No

**Touch Bar:** Yes, ECO Schulte - Stainless Steel

**Hinges:**  
Surface Mounted, WALA MX/WX Stainless Steel  
Look, Right Side

**Threshold:**  
Standard w/ Sub Threshold

**Bottom Lick Plate:**  
No

**Electric Strike:** No

**Latches:** Yes, Multi Point w/ Anti Panic

**Door Closer:** Yes, Doma, TS93 B (EN 2-5) 01 Silver

**Lever:** FKS35A/1200 - Stainless Steel - Interior

**Bottom Rail:** Raised 10" off AFF

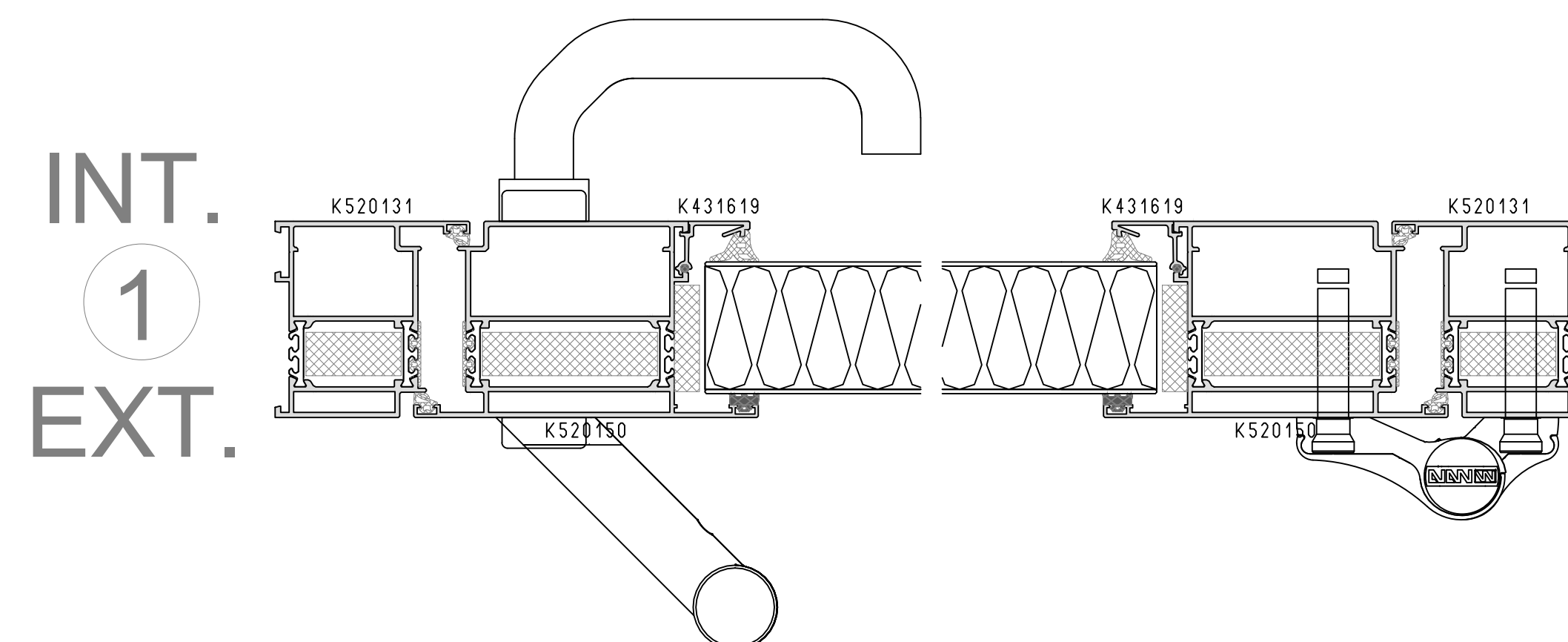
**Handle:**  
Pull Handle, WALA P45 600mm, Exterior -  
Stainless Steel

**Locking:** WILKA W/ Mortise Lock, Euro-Style  
Lock Core

**Weight:**  
103 lbs

**Note:**  
Available in Double & Triple Glazed.

## Horizontal Cross Section

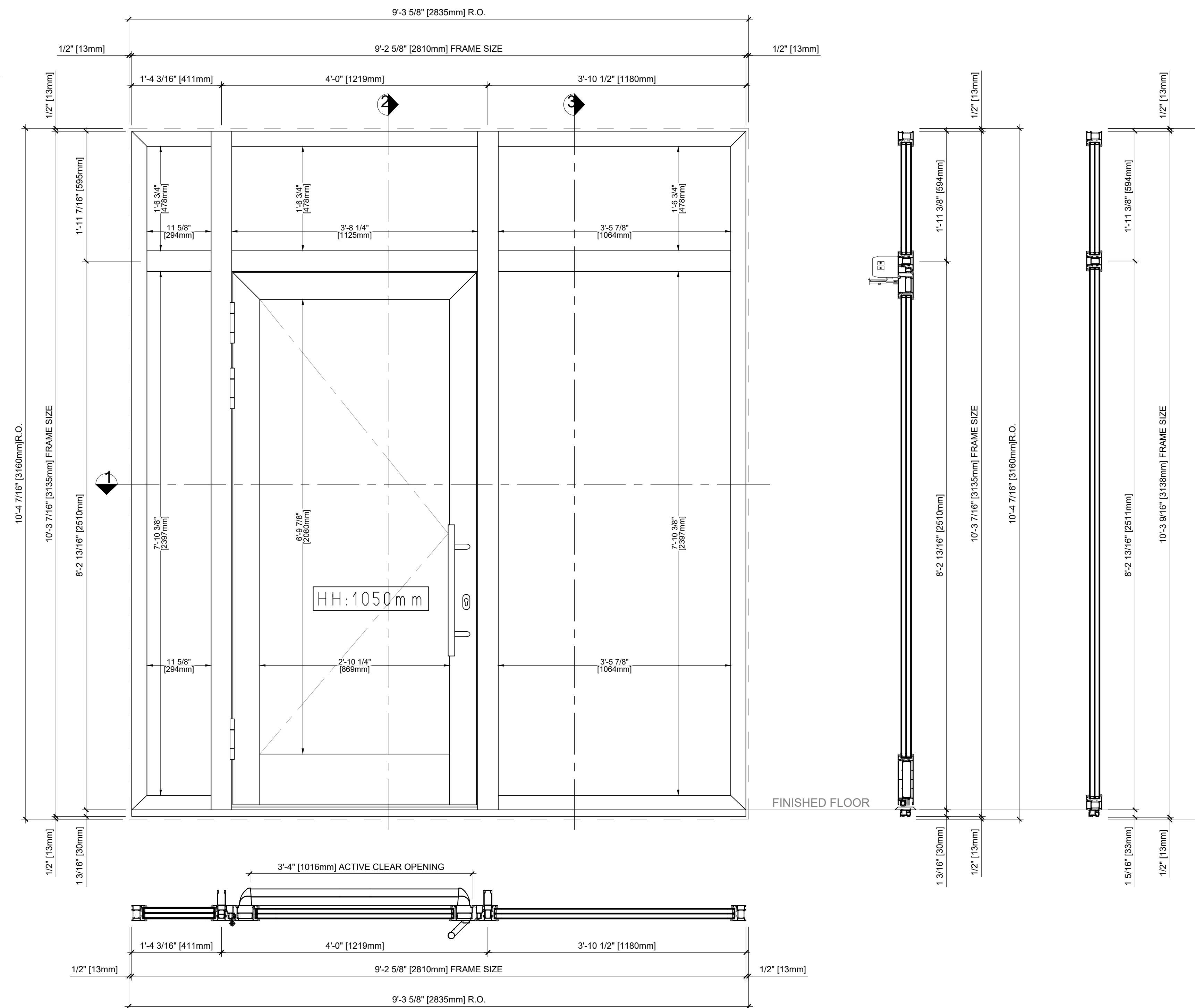


INT. 2 EXT.

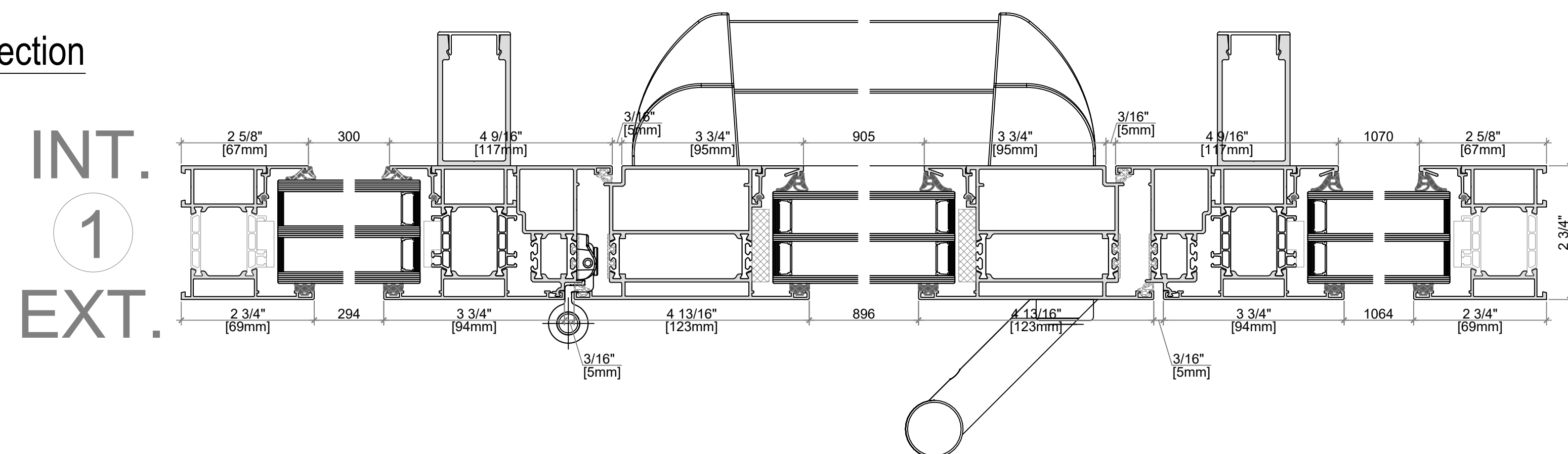
# ALUPROF 79mm Product Guide

Alu79; Optional - Residential Commercial Entry Door With ADA Threshold - Outswing

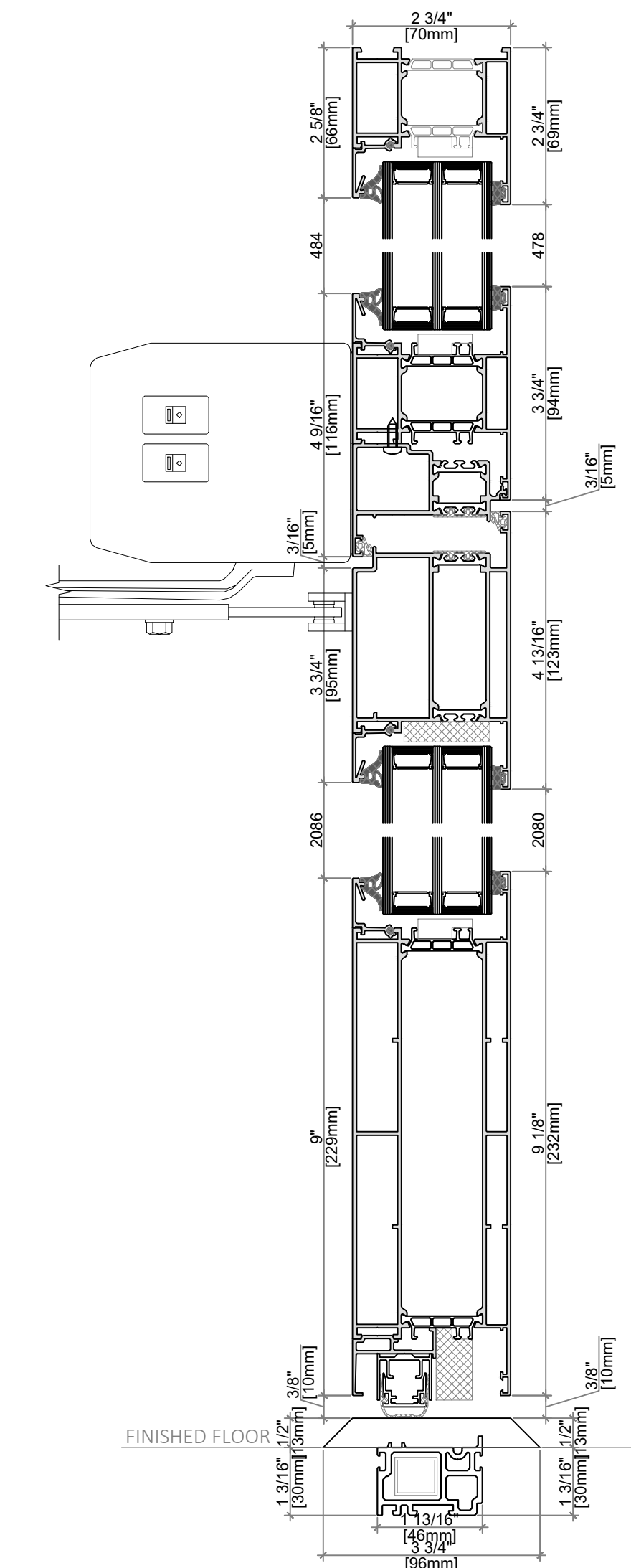
## Exterior View



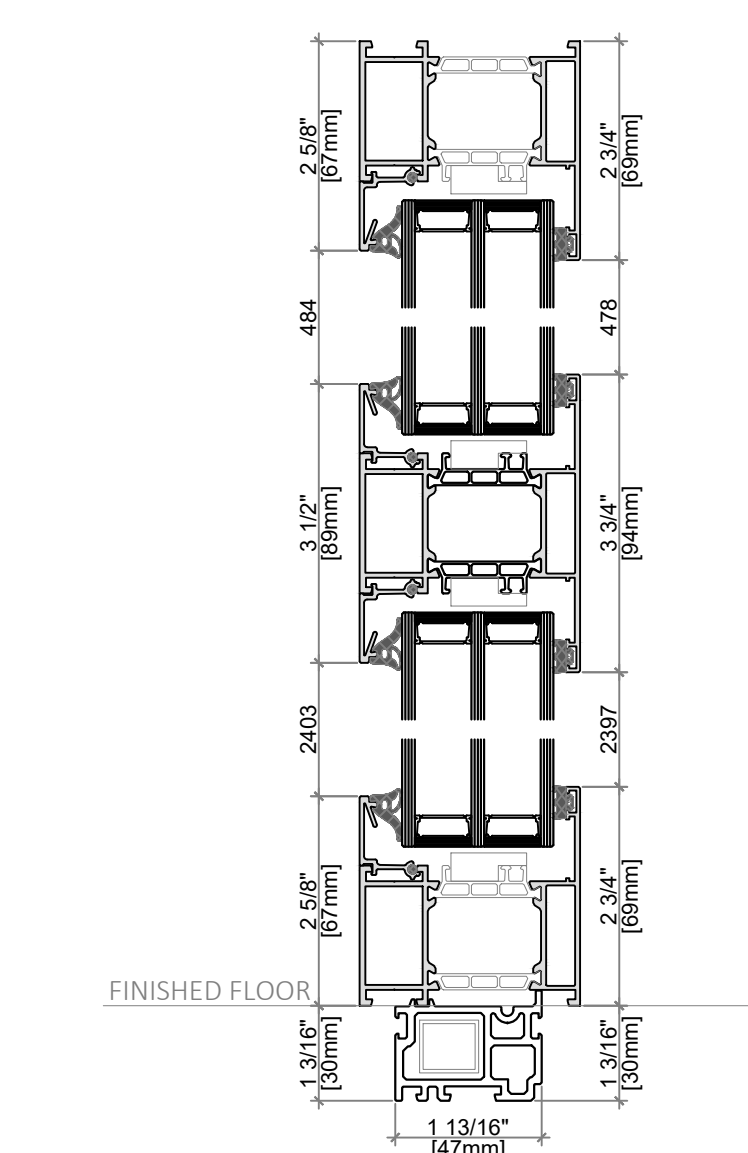
## Horizontal Cross Section



## Vertical Cross Section



INT. 2 EXT.



INT. 3 EXT.

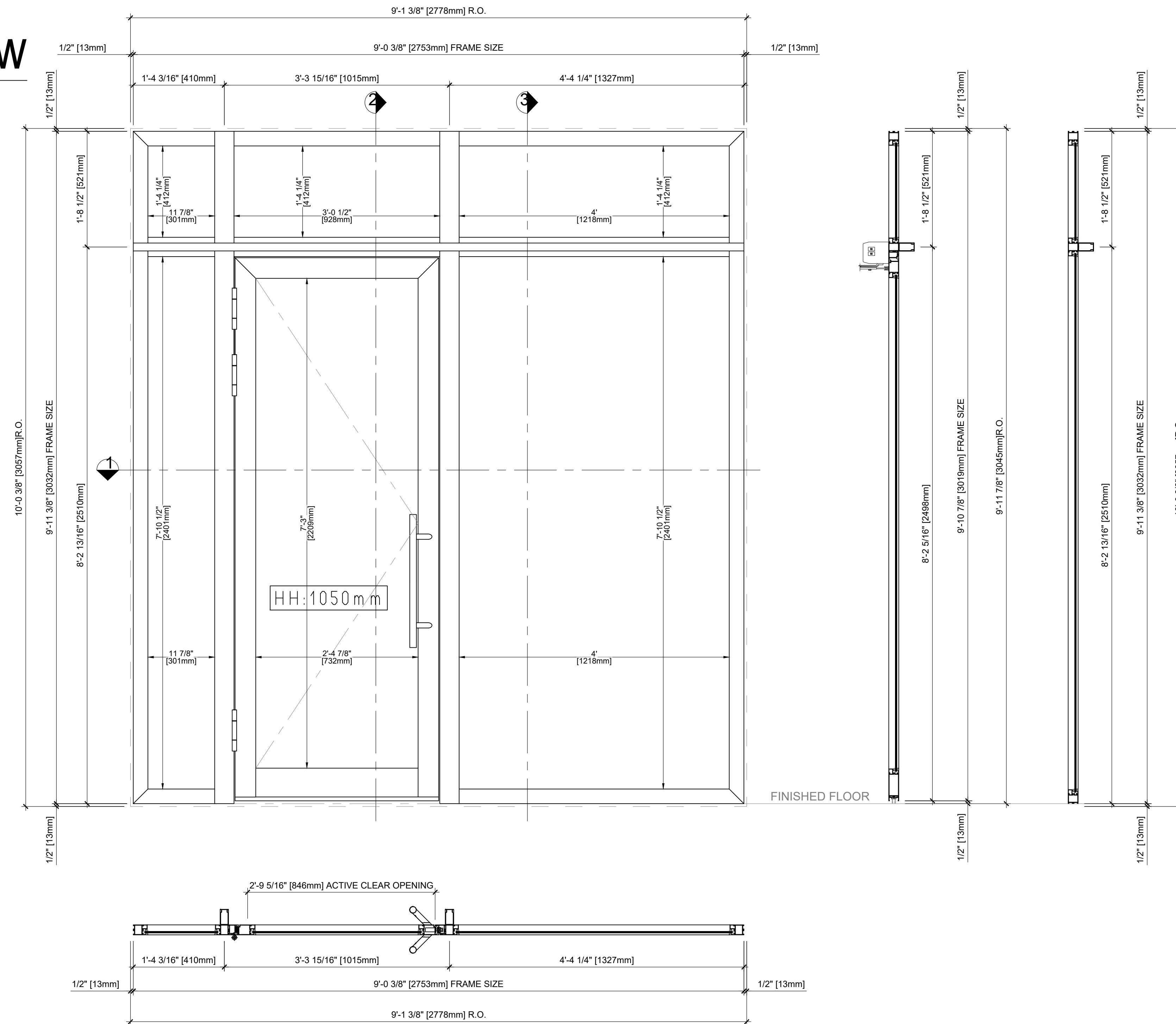
### NOTES:

- Frame System:** Aluprof MB-79N
- Fitting Type:** Entry/Single Door - Outswing
- Color:** Interior: Black (RAL 9005) Finish: Matte  
Exterior: Black (RAL 9005) Finish: Matte
- Glazing:** 4T/18 Ar/4/18 Ar/ 4T - Tempered  
Ug - .08 [Btu/(H Sq Ft °F)]  
Spacer: Warm Edge Black (RAL9004)  
SHGC - .38  
STC - 33
- Handle:** WALA P45 600mm - exterior - Stainless Steel
- Hinges:** WALA Roller - Stainless Steel
- Touch Bar:** Yes, Interior - Eco EPN2000 II - Stainless Steel
- Levers:** No
- Operator Prep:** Yes, but provided by others  
LCN4640 Automatic Opener
- Door Closer:** No
- Bottom Rail:** Raised 10" off AFF
- Threshold:** Nylatron ADA with subthreshold - black
- Locking:** Key/Key
- Electric Strike:** Yes
- U Factor:** 0.18 [Btu/(H Sq Ft °F)]
- Weight:** 649 lbs
- Shipping:** De-glazed
- Note:** Available In Double & Triple Glazed.

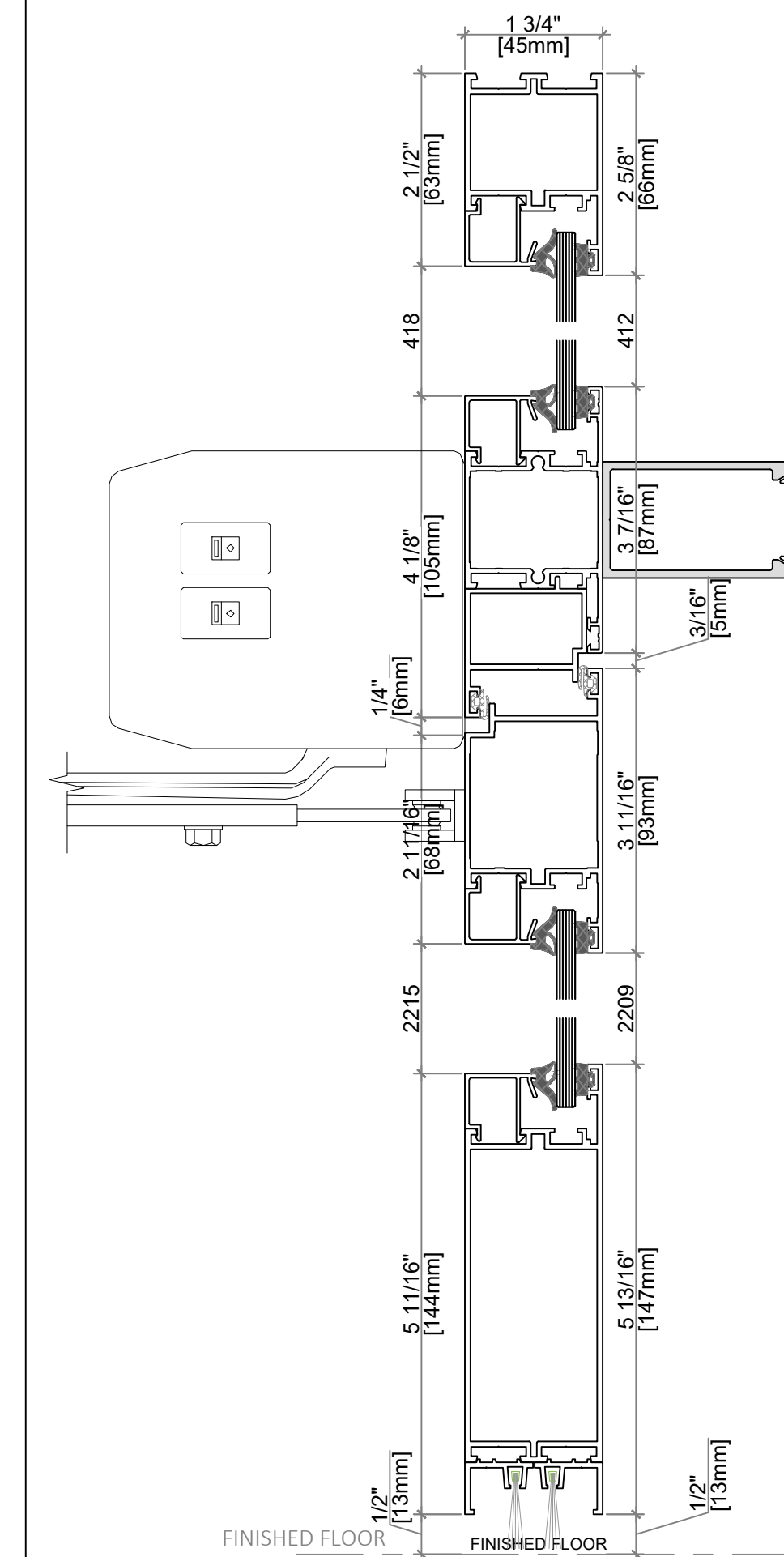
# ALUPROF 79mm Product Guide

Alu79; Optional - Single Door Storefront - Outswing

## Exterior View

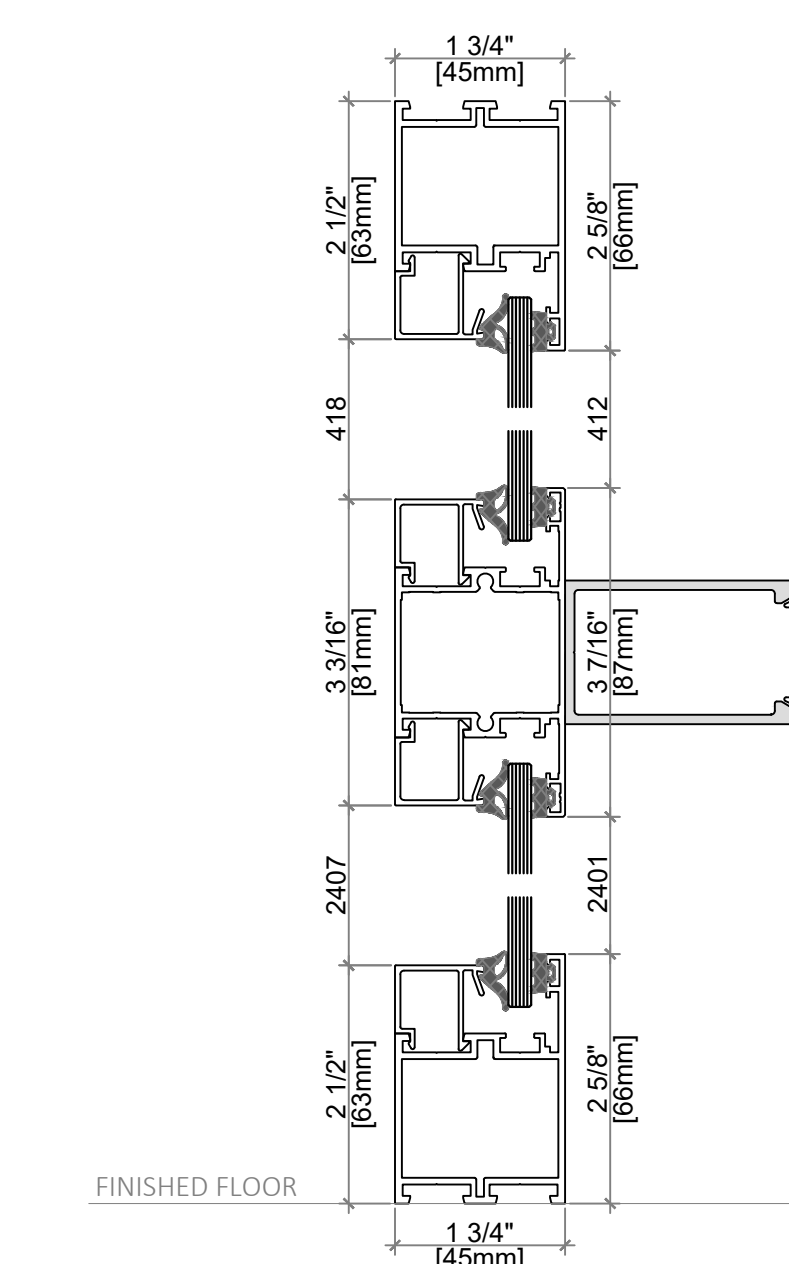
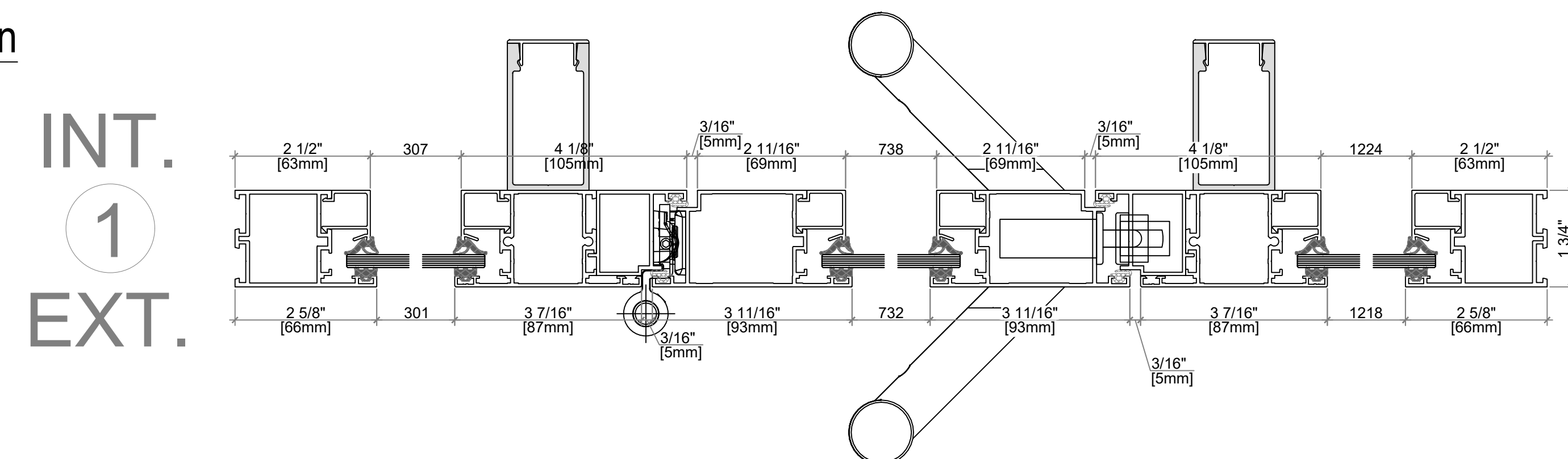


## Vertical Cross Section



INT. 2 EXT.

## Horizontal Cross Section



INT. 3 EXT.

### NOTES:

- Frame System:**  
Aluprof MB-45
- Fitting Type:**  
Single Door/Storefront - outswing
- Color:**  
Interior: Black (RAL 9005)  
Finish: Matte
- Exterior:** Black (RAL 9005)  
Finish: Matte
- Glazing:**  
N/A interior door
- Handle:**  
WALA P45 600mm int./ext.
- Hinges:**  
WALA Roller - Stainless Steel
- Touch Bar:**  
No
- Latches:**  
WILKA roller latch & deadbolt lock
- Levers:**  
No
- Operator Prep:**  
Yes, but provided by others  
LCN4640 Automatic Opener
- Door Closer:**  
No
- U Factor:**  
N/A
- Weight:**  
345 lbs
- Shipping:**  
De-glazed

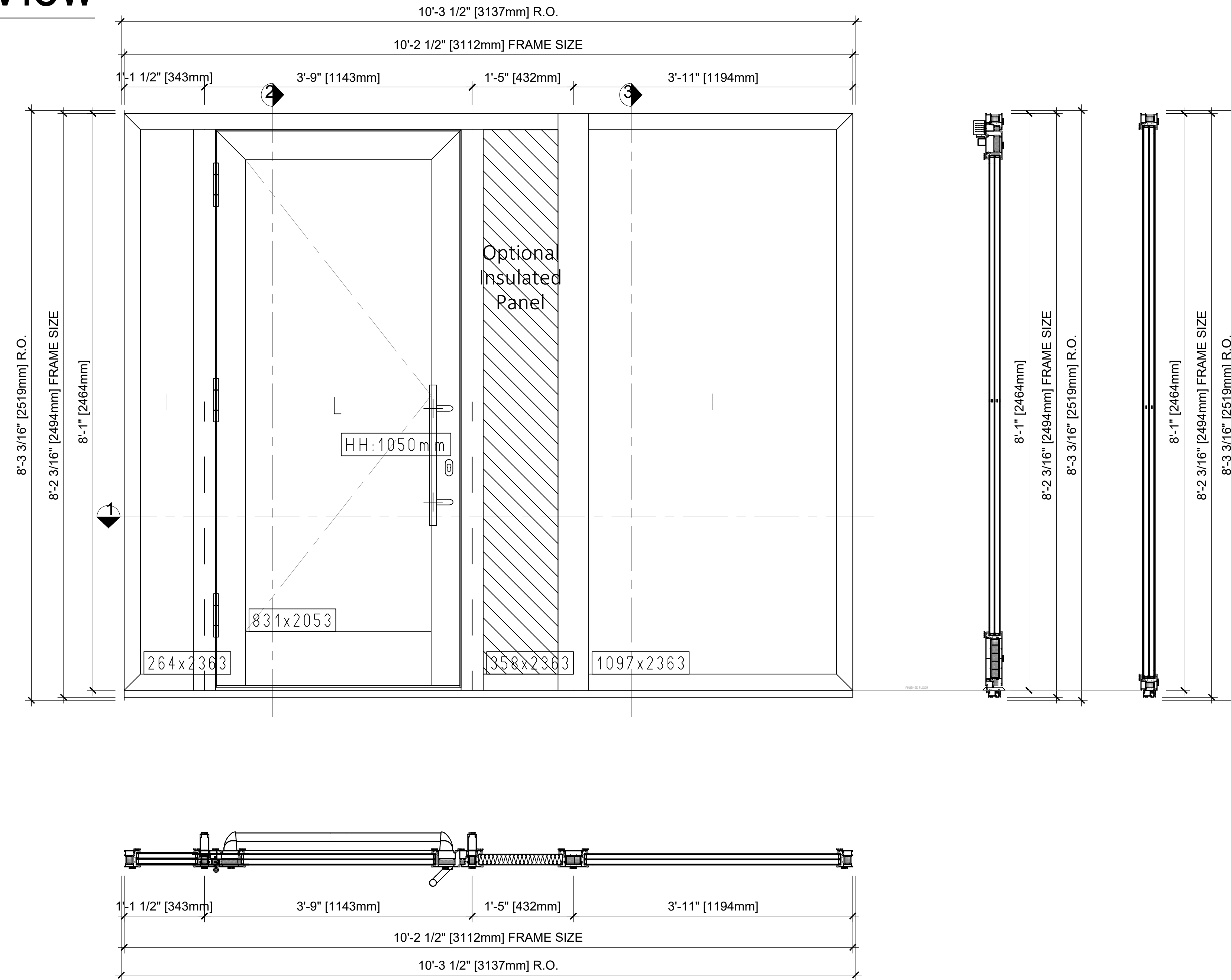
**Note:**  
Available In Double & Triple Glazed.



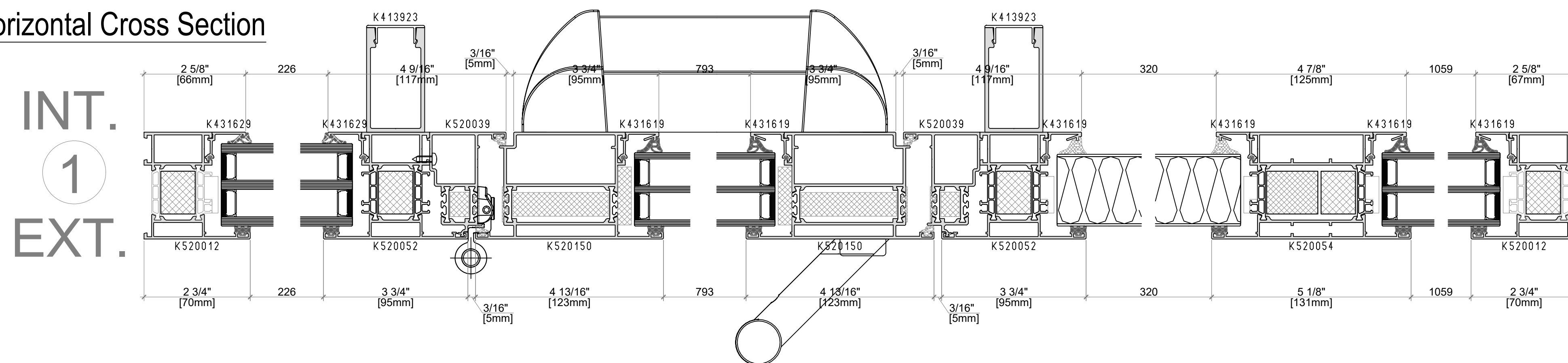
# ALUPROF 79mm Product Guide

Alu79; Optional - Residential Commercial Entry Door With ADA Threshold - Outswing

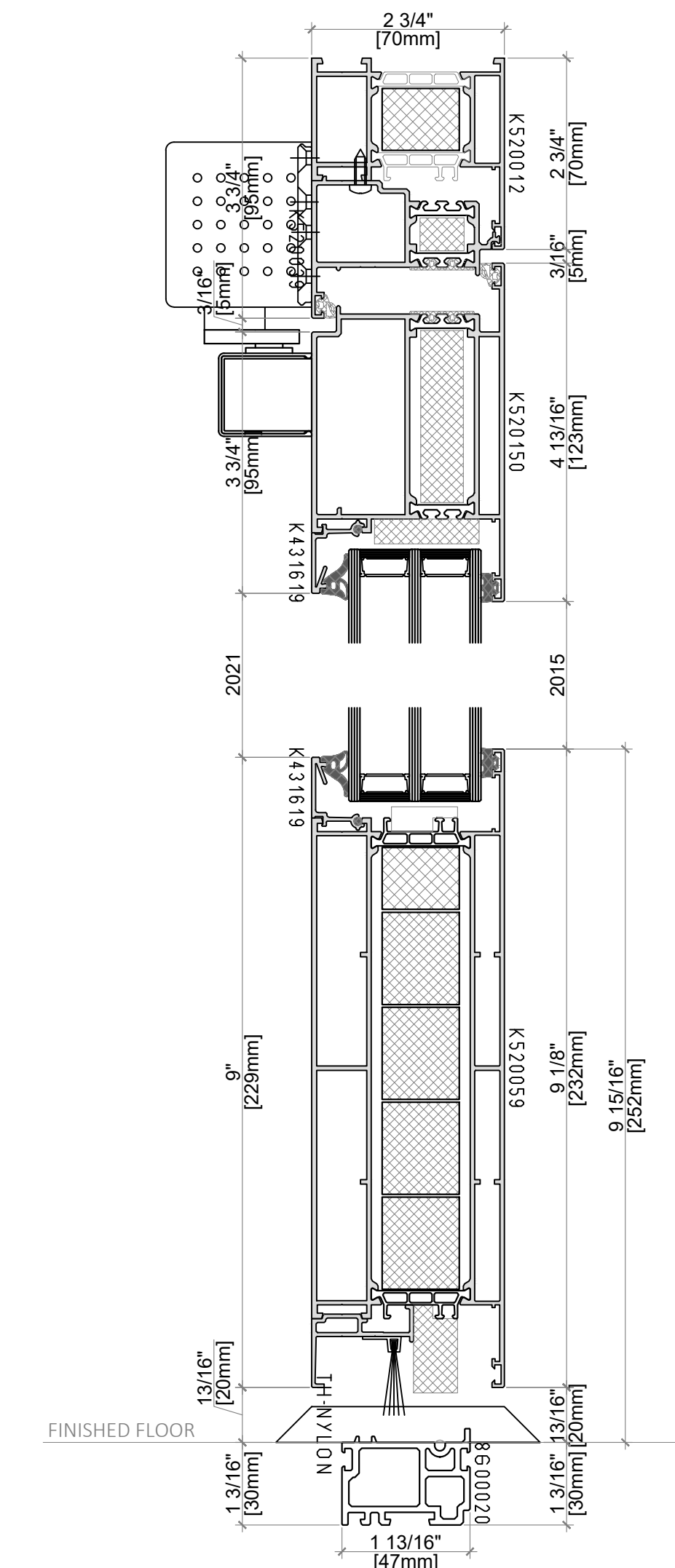
## Exterior View



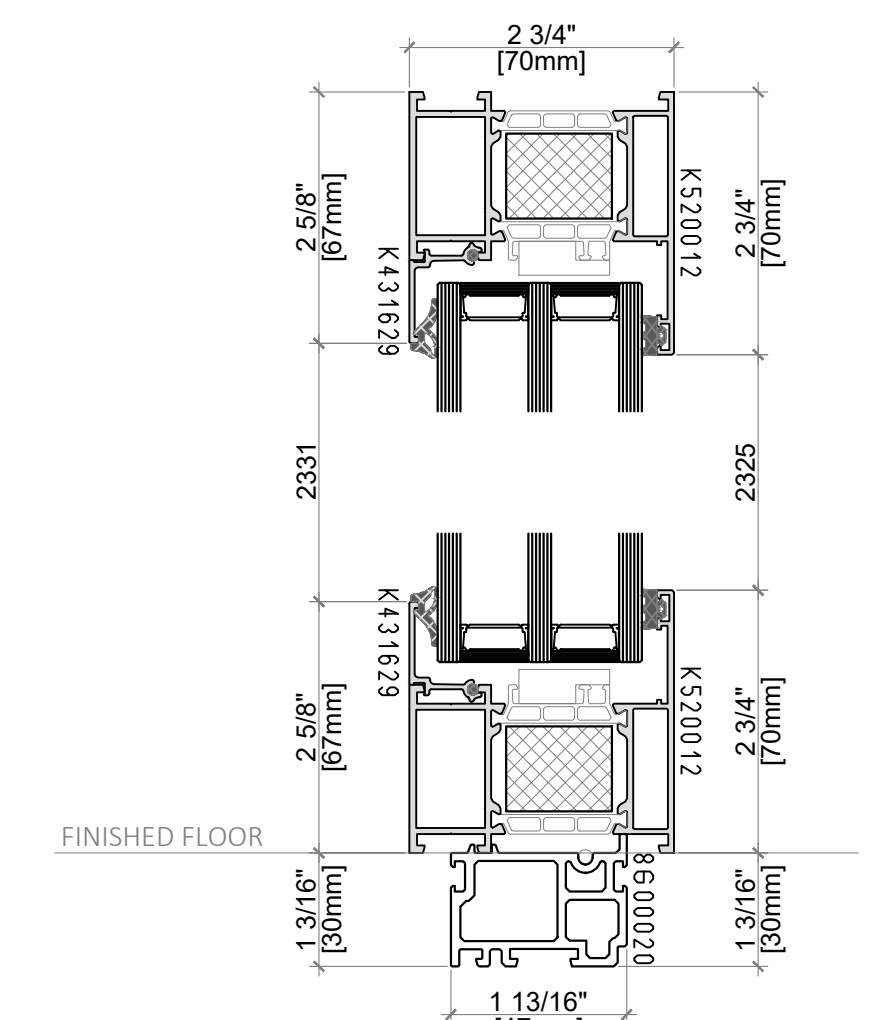
## Horizontal Cross Section



## Vertical Cross Section



INT. 2 EXT.



INT. 3 EXT.

### NOTES:

**Frame System:**  
Aluprof MB-79N SI

**Fitting Type:**  
Entry Door ADA - Out Swing

**Color:**  
Interior: Grey Brown (RAL 8019)  
Finish: Matte

Exterior: Grey Brown (RAL 8019)  
Finish: Matte

**Glazing:**  
4/18 Ar/4/18 Ar/4 with Argon  
(All Panes Tempered+Frosted)  
Ug - .088 [Btu/(H Sq Ft °F)]  
Spacer: Warm Edge Black (RAL9004)  
SHGC - .53  
STC - 35

**U Factor:**  
0.22 [Btu/(H Sq Ft °F)]

**Auto Operator Prep:** No

**Touch Bar:** Yes, ECO Schulte - Stainless Steel

**Hinges:**  
Roller, WR Roller WALA, Left Side - Stainless Steel

**Threshold:**  
ADA w/ Sub Threshold, Nylatron with Plastic Sub  
Threshold and Steel Insert

**Bottom Lick Plate:**  
Yes, 300mm Bottom Rail (No need for Stainless  
Steel Plates)

**Electric Strike:** Yes

**Latches:** Yes, WILKA Single Point

**Door Closer:** Yes, Doma, TS93 B (EN 2-5) 01 Silver

**Bottom Rail:** Raised 10" off AFF

**Lever:** No

**Handle:**  
Pull Handle, WALA P45 600mm, Exterior -  
Stainless Steel

**Locking:** WILKA W/ Mortise Lock, Euro-Style  
Lock Core

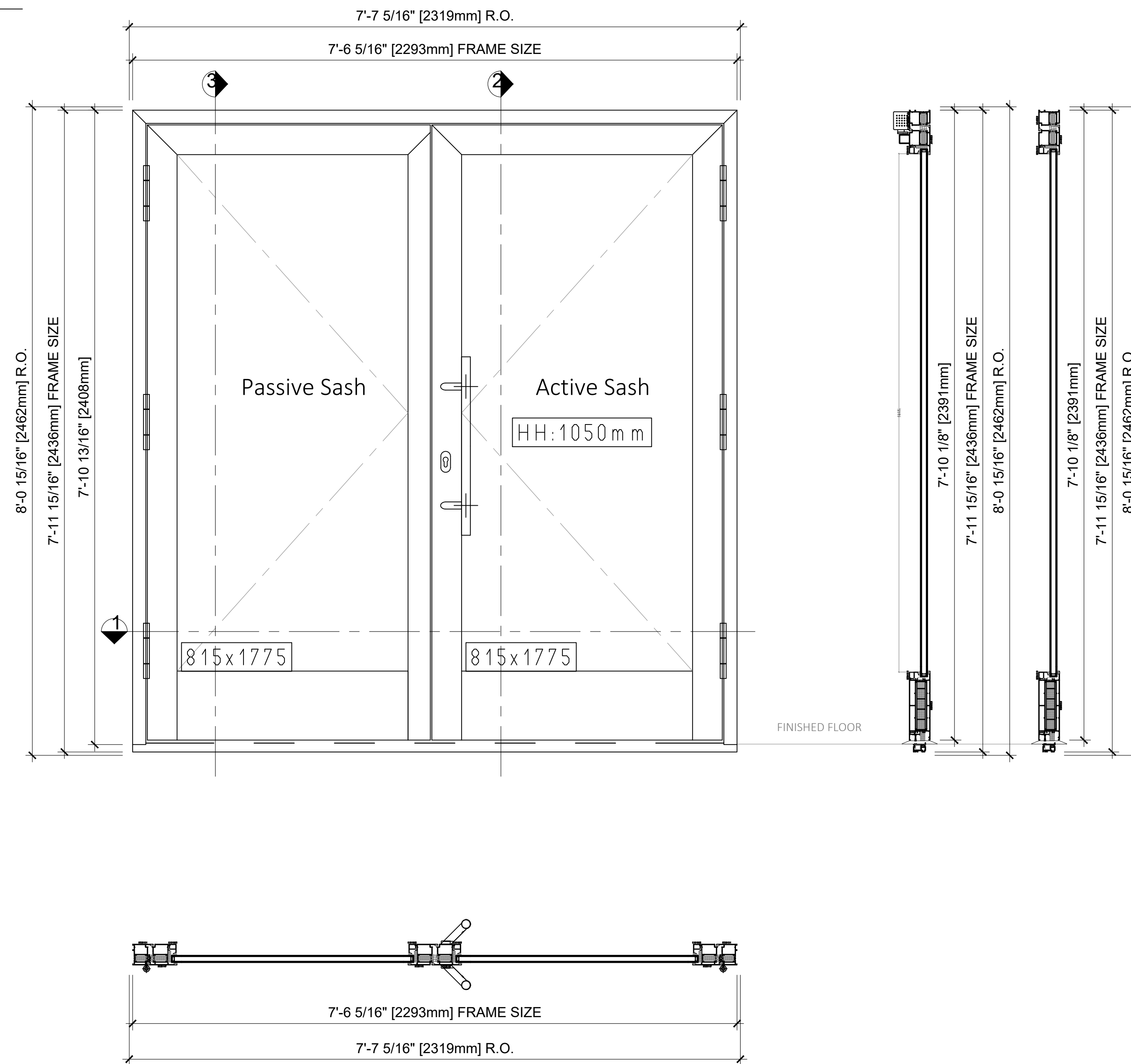
**Weight:**  
535 lbs

**Note:**  
Available In Double & Triple Glazed.

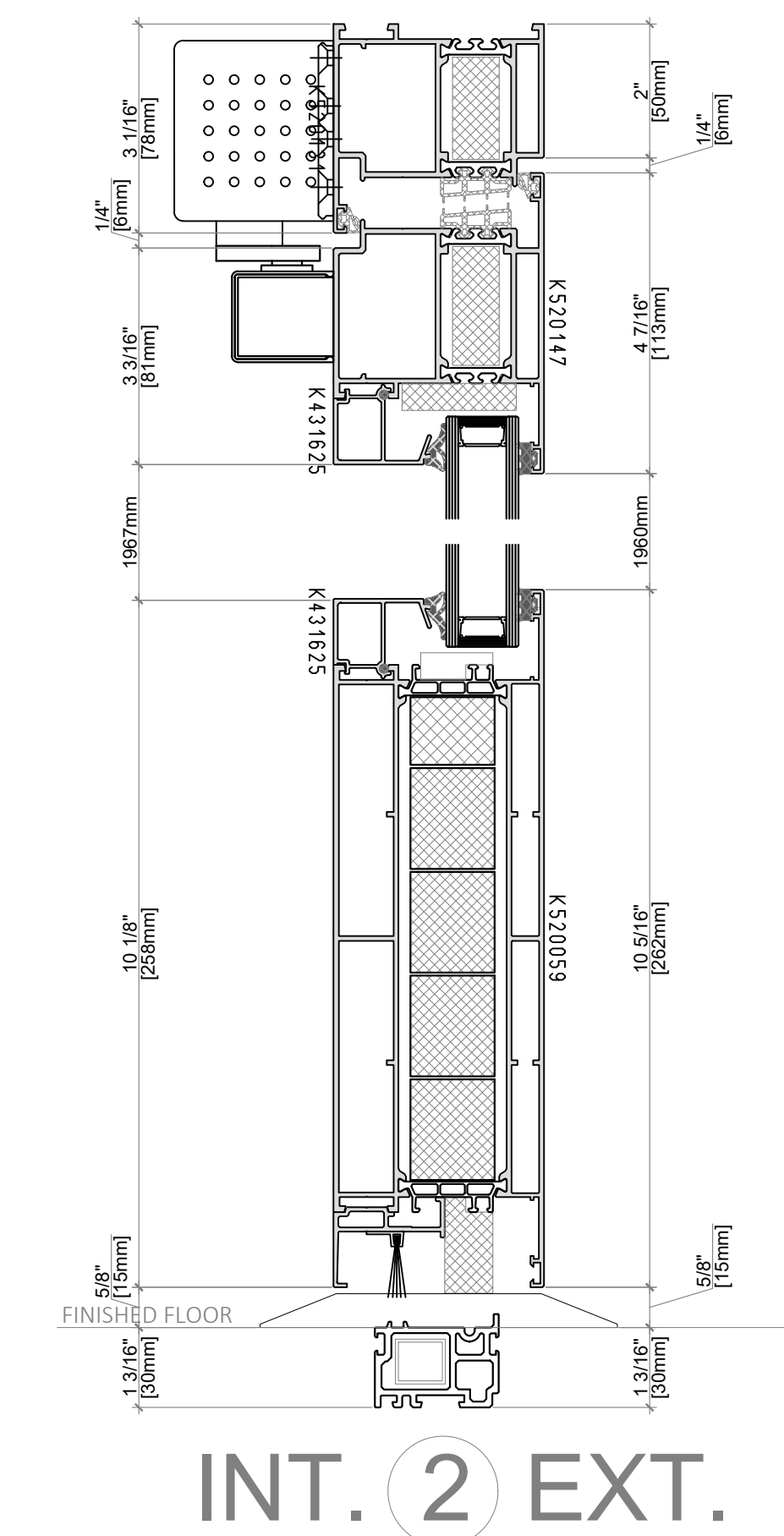
# ALUPROF 79mm Product Guide

Alu79; Optional - MB79N SI+ - Commercial Entry Double Door

## Exterior View



## Vertical Cross Section



### NOTES:

**Frame System:**  
Aluprof MB-79N SI+

**Fitting Type:**  
Entry Double Door ADA - Out Swing

**Color:**  
Interior: Grey Brown (RAL 8019)  
Finish: Matte

Exterior: Grey Brown (RAL 8019)  
Finish: Matte

**Glazing:**  
4/18 Ar/4/18 Ar/4 with Argon  
(All Panes Tempered)  
Ug - .088 [Btu/(H Sq Ft °F)]  
Spacer: Warm Edge Black (RAL9004)  
SHGC - .53  
STC - 35

**U Factor:**  
0.22 [Btu/(H Sq Ft °F)]

**Auto Operator Prep:** No

**Touch Bar:** No

**Hinges:**  
Roller, WR Roller WALA, Left Side - Stainless Steel

**Threshold:**  
ADA w/ Sub Threshold, Nylatron with Plastic Sub  
Threshold and Steel Insert

**Bottom Lick Plate:**  
Yes, 300mm Bottom Rail (No need for Stainless  
Steel Plates)

**Electric Strike:** No

**Latches:** Yes, WILKA Single Point

**Door Closer:** No

**Bottom Rail:** Raised 10" off AFF

**Lever:** No

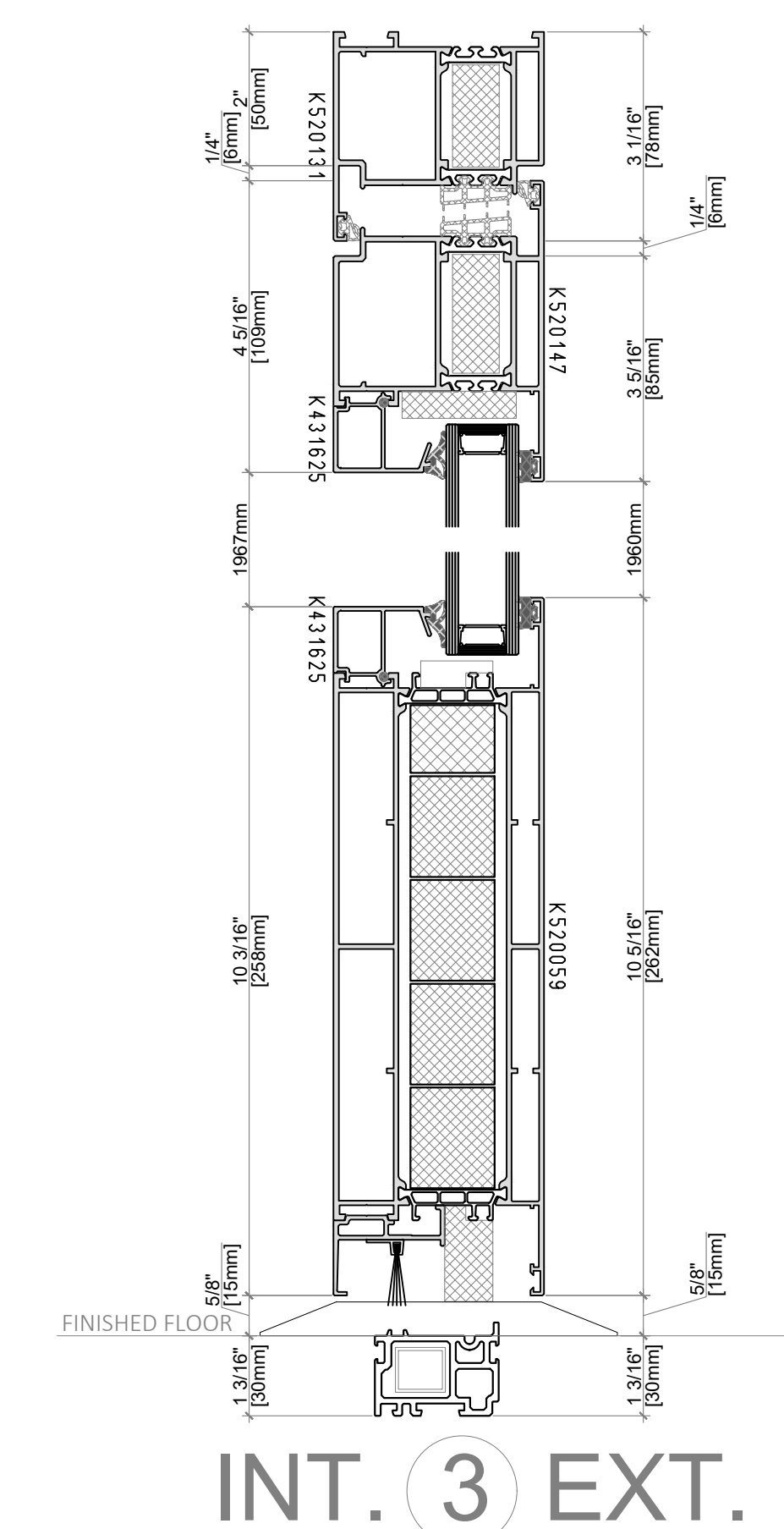
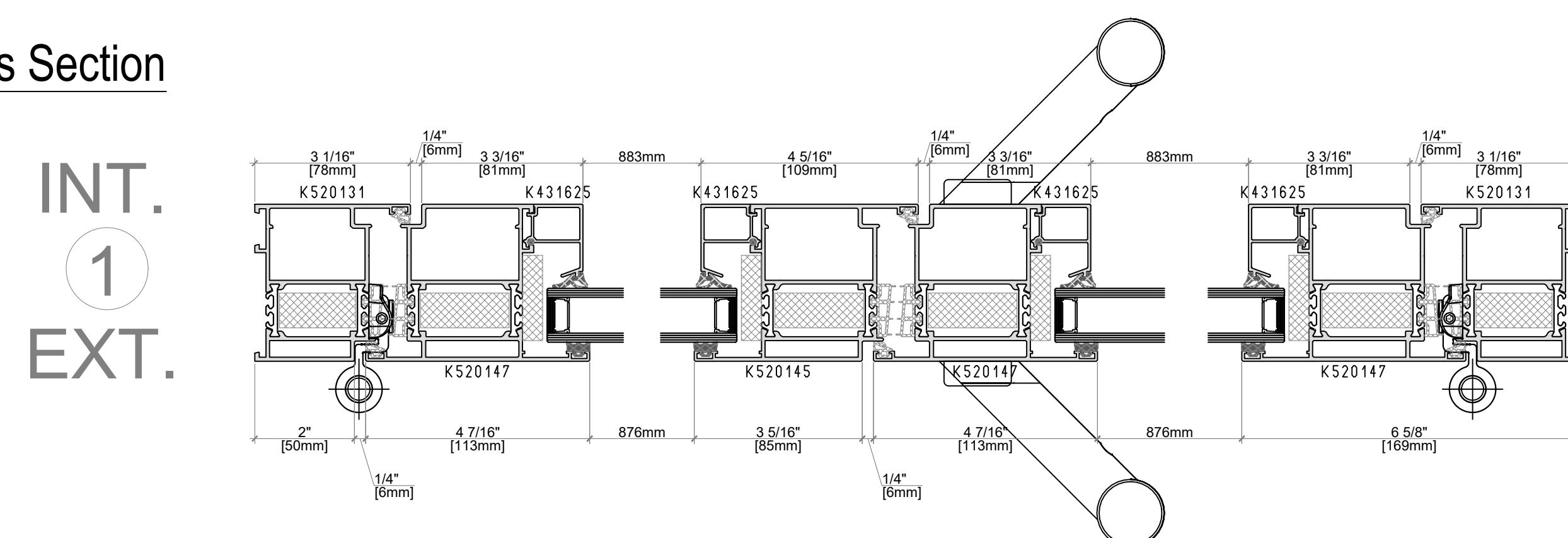
**Handle:**  
Pull Handle, WALA P45 600mm, Interior/Exterior -  
Stainless Steel

**Locking:** WILKA W/ Mortise Lock, Euro-Style  
Lock Core

**Weight:**  
535 lbs

**Note:**  
Available In Double & Triple Glazed.

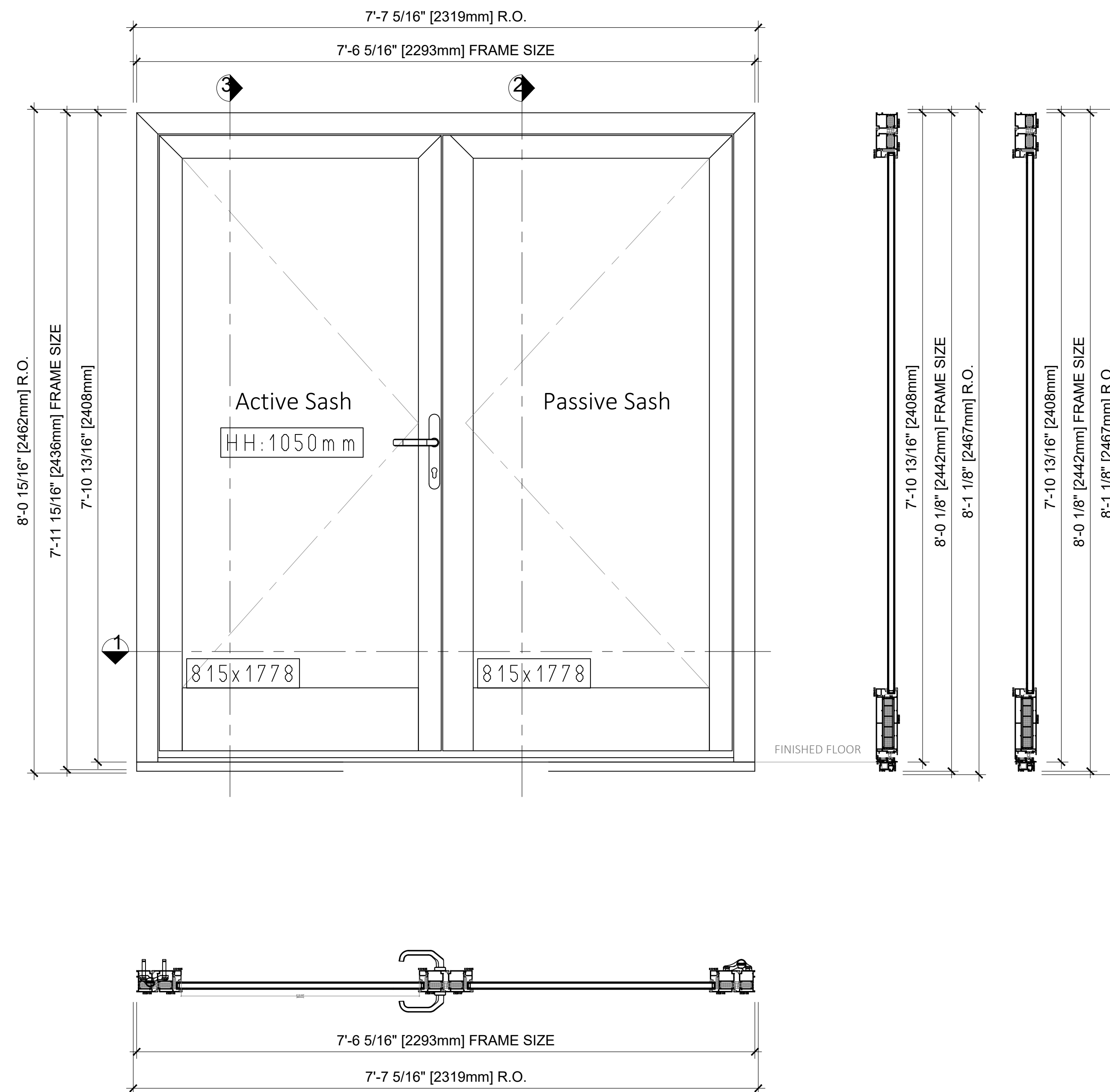
## Horizontal Cross Section



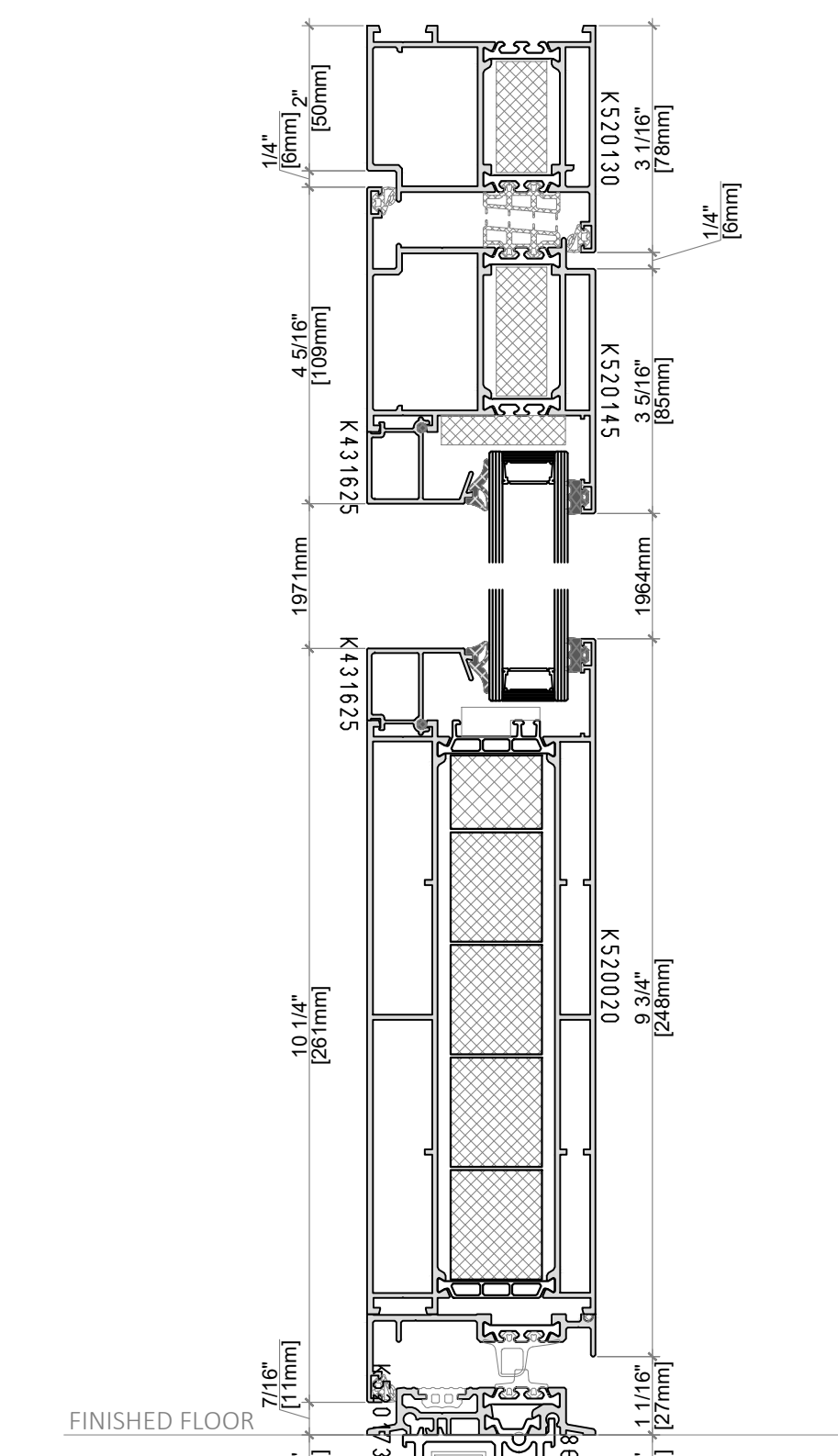
# ALUPROF 79mm Product Guide

Alu79; Optional - MB79N SI+ - Residential Entry Double Door

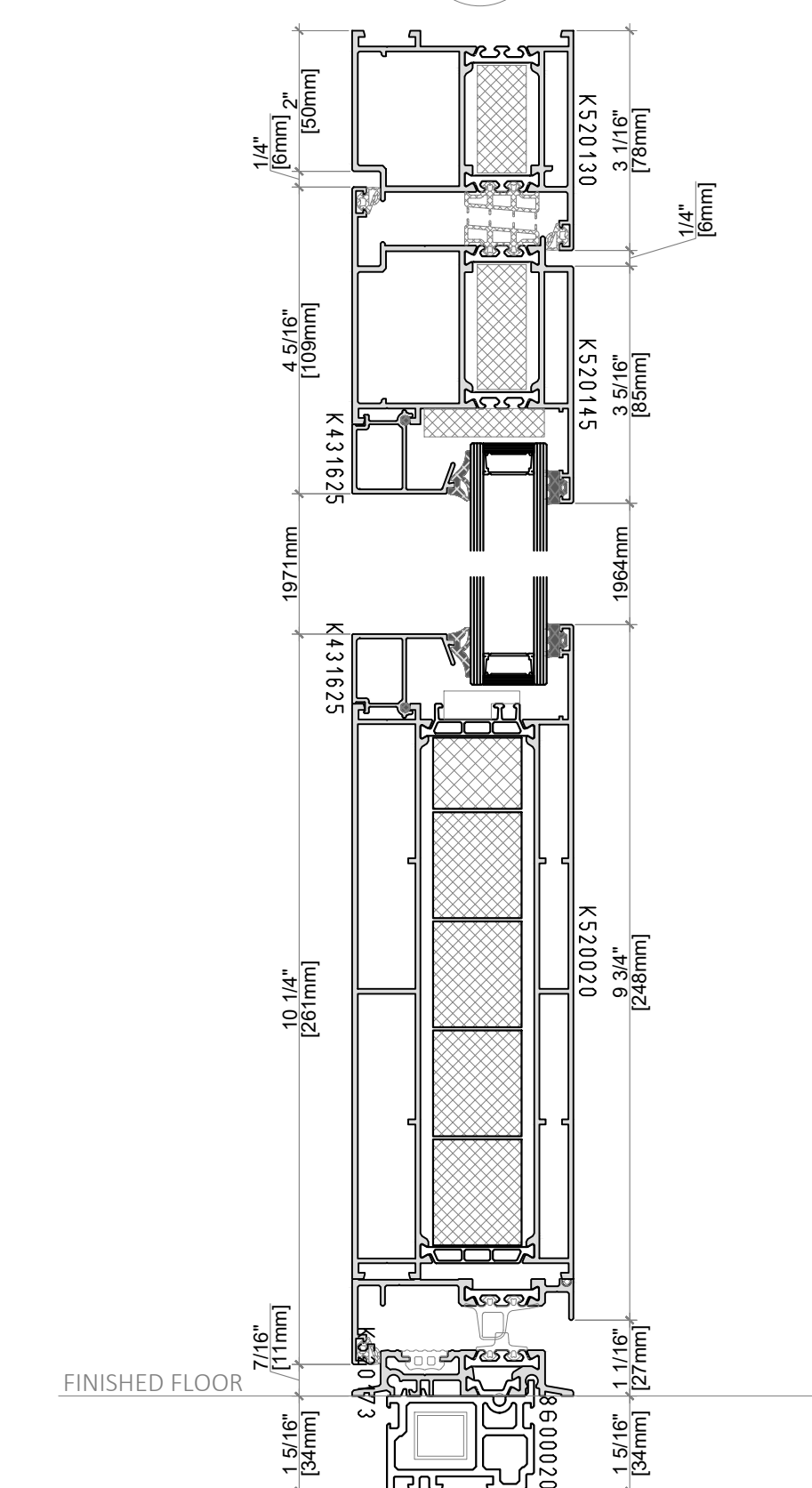
## Exterior View



## Vertical Cross Section



INT. 2 EXT.



INT. 3 EXT.

### NOTES:

**Frame System:**  
Aluprof MB-79N SI+

**Fitting Type:**  
Entry Double Door ADA - Out Swing

**Color:**  
Interior: Grey Brown (RAL 8019)  
Finish: Matte

Exterior: Grey Brown (RAL 8019)  
Finish: Matte

**Glazing:**  
4/18 Ar/4/18 Ar/4 with Argon  
(All Panes Tempered)  
Ug - .088 [Btu/(H Sq Ft °F)]  
Spacer: Warm Edge Black (RAL9004)  
SHGC - .53  
STC - 35

**U Factor:**  
0.22 [Btu/(H Sq Ft °F)]

**Auto Operator Prep:** No

**Touch Bar:** No

**Hinges:**  
Roller, WR Roller WALA, Left Side - Stainless Steel

**Threshold:**  
ADA w/ Sub Threshold, Nylatron with Plastic Sub  
Threshold and Steel Insert

**Bottom Lick Plate:**  
Yes, 300mm Bottom Rail (No need for Stainless  
Steel Plates)

**Electric Strike:** No

**Latches:** Yes, WILKA Single Point

**Door Closer:** No

**Bottom Rail:** Raised 10" off AFF

**Lever:** FKS35A/1200 - Stainless Steel - Int./Ext.

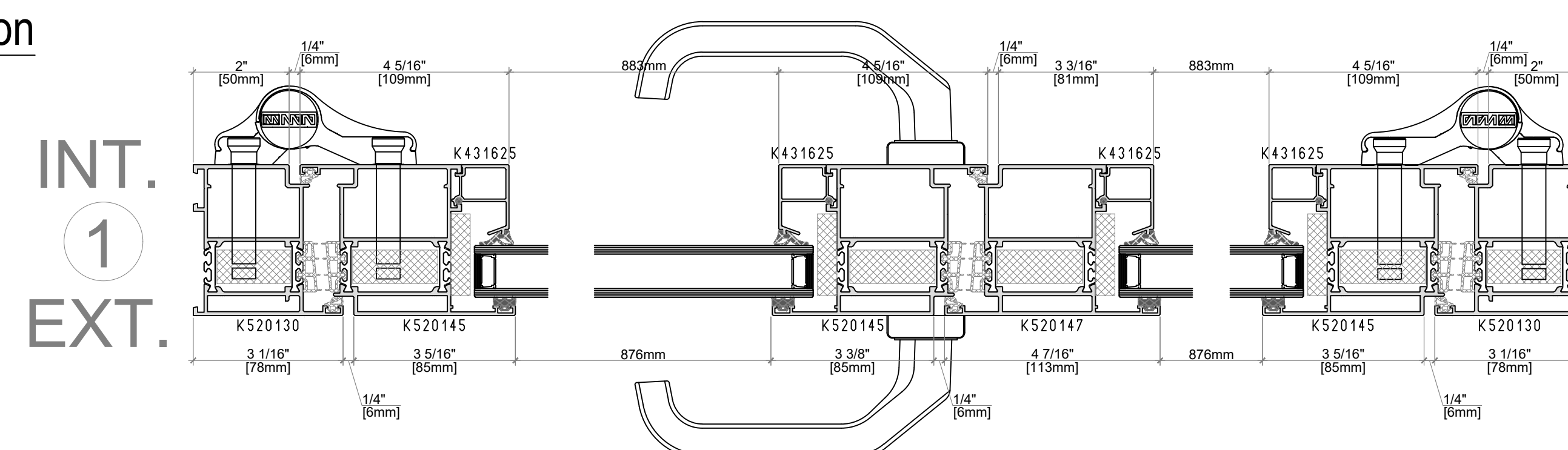
**Handle:** No

**Locking:** WILKA W/ Mortise Lock, Euro-Style  
Lock Core

**Weight:**  
535 lbs

**Note:**  
Available In Double & Triple Glazed.

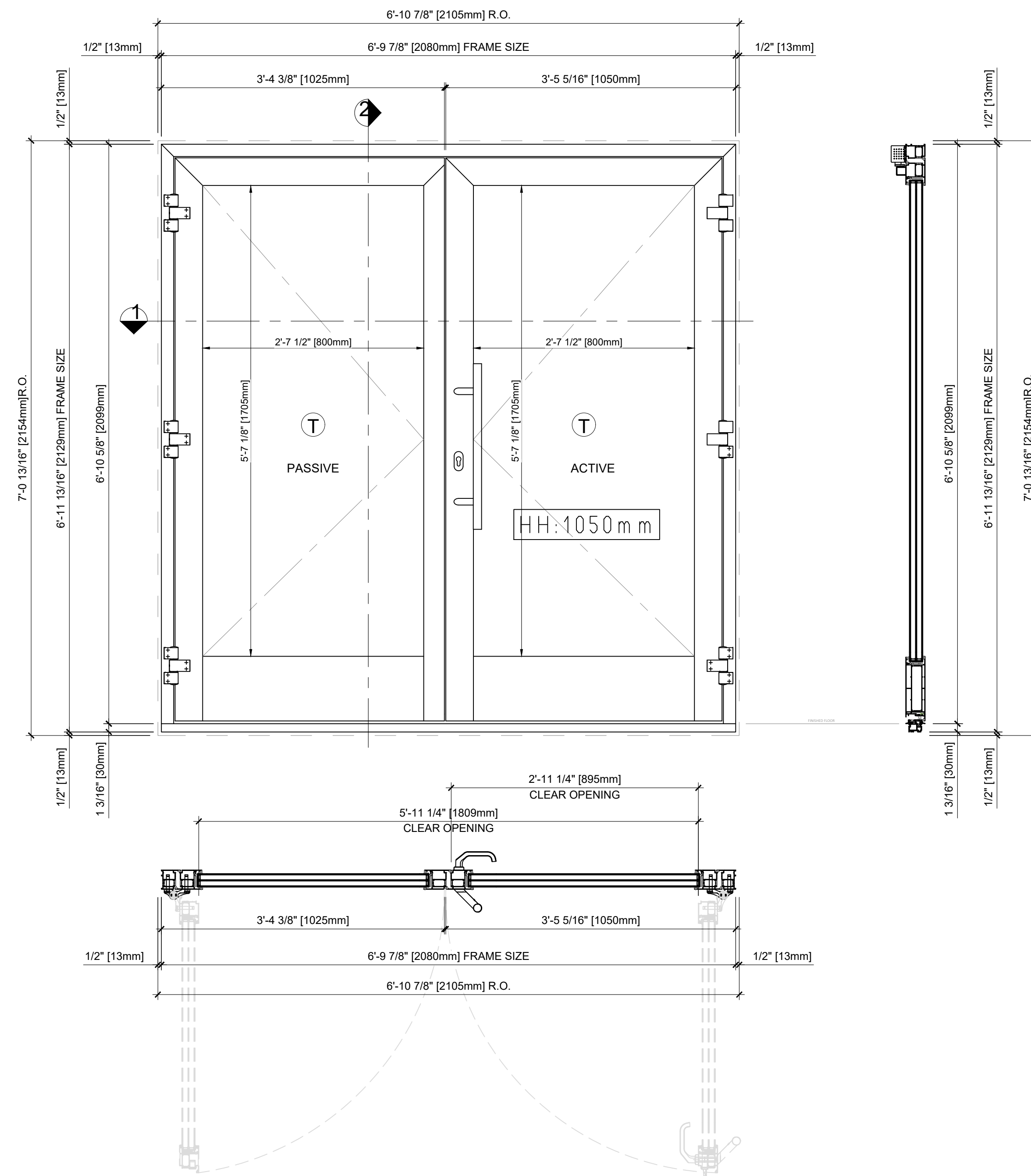
## Horizontal Cross Section



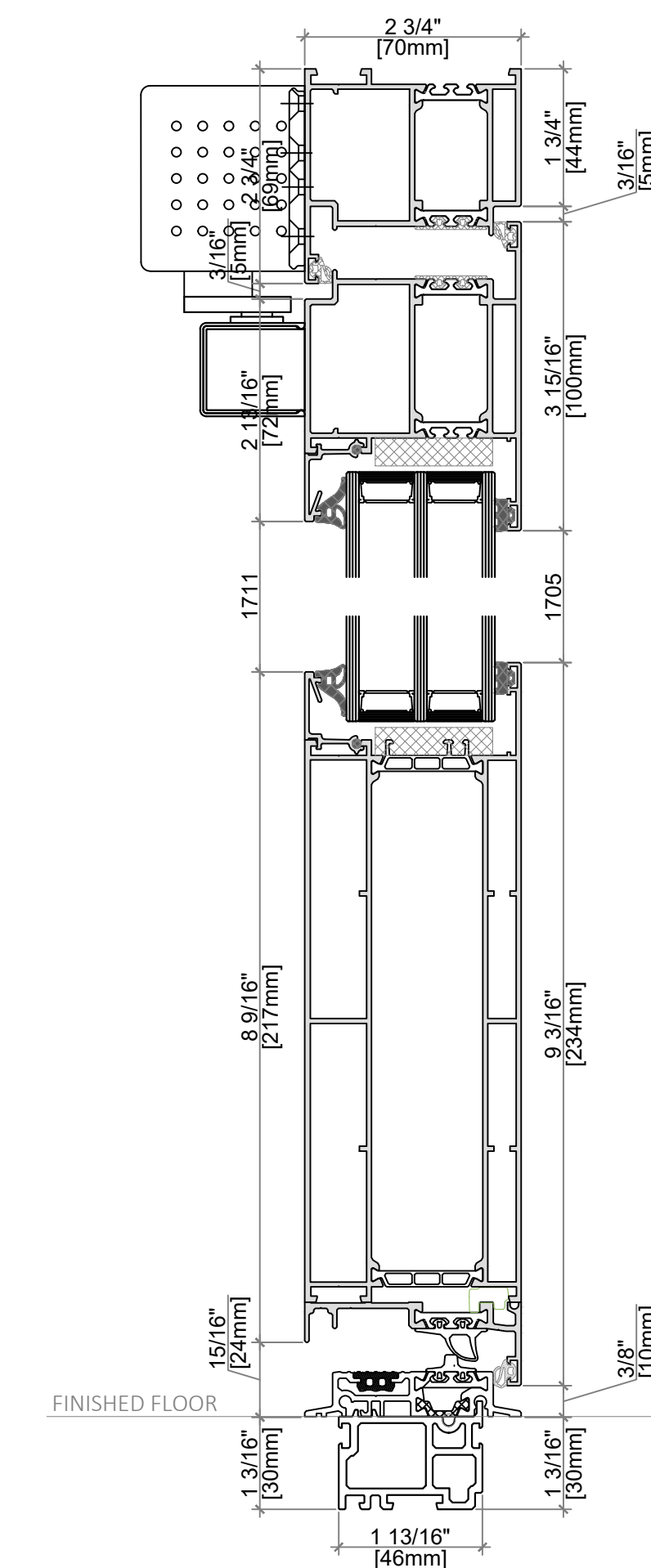
# ALUPROF 79mm Product Guide

Alu79; Optional - Double Utility Door - Outswing

## Exterior View



## Vertical Cross Section



INT. ② EXT.

### NOTES:

**Frame System:**  
Aluprof MB-79N ST

**Fitting Type:**  
Entry Door - Out Swing (Active & Passive)

**Hardware Group:** 16

**Profile views (outside):**  
Jamb: K520131 (44.5 mm), K520173 (14.5 mm)  
Door Leaf: K520145 (75 mm), K520147 (100 mm)

**Color:**  
Interior: Anthracite Grey  
Finish: Matte

Exterior: Anthracite Grey  
Finish: Matte

**Glazing:**  
ESG 4T1.0/18 Ar/ESG 4/18 Ar/ESG 4T1.0 (Tempered)  
Ug - .08 [Btu/(H Sq Ft °F)]  
Spacer: Warm Edge Black (RAL9004)  
SHGC - .38  
STC - 33

**U Factor:**  
0.21 [Btu/(H Sq Ft °F)]

**Touch Bar:**  
No

**Handle:** Yes, Exterior Small Pull Handle

**Lever:** Yes, Interior, FKS35A/1200, Stainless Steel

**Door Closer:**  
Yes, Dorma, Silver, Surface Mounted (Active Sash Only)

**Hinges:**  
WALA - Surface Mounted, Roller Hinges - Stainless Steel

**Weight:**  
308 lbs

**Auto Operator Pre:** No

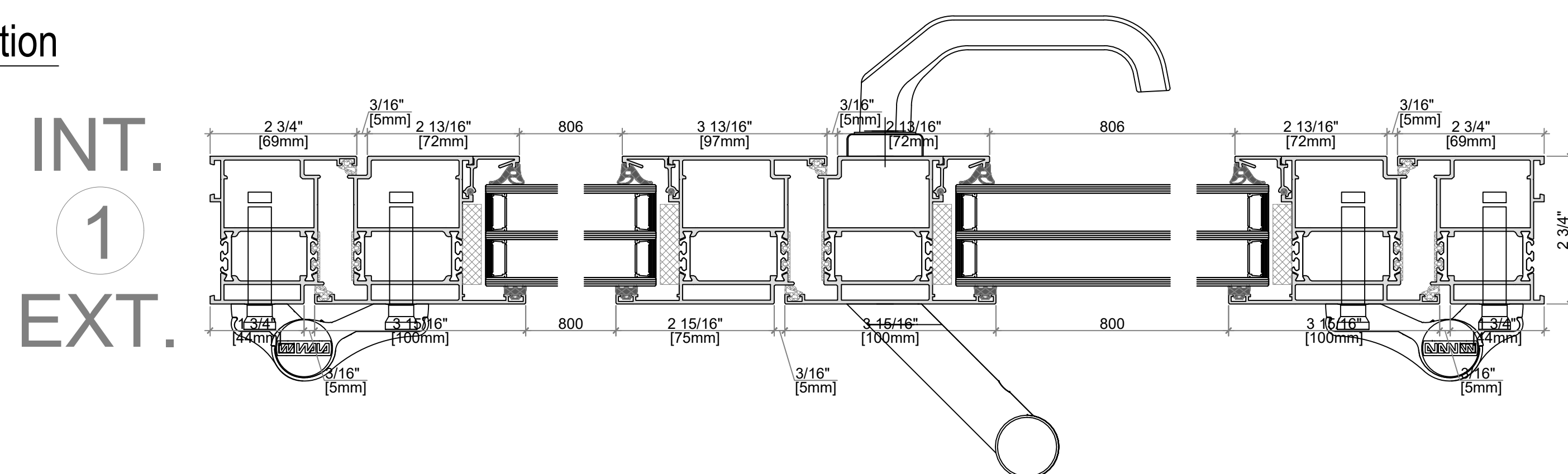
**Threshold:** Standard with Sub Sill

**Latches:** Storeroom Lock, WILKA Mortise Lock, Euro-Style Core

**Locking:** Deadbolt with interior thumb turn, WILKA euro-style lock core, anti-panic

**Note:**  
Available In Double & Triple Glazed.

## Horizontal Cross Section





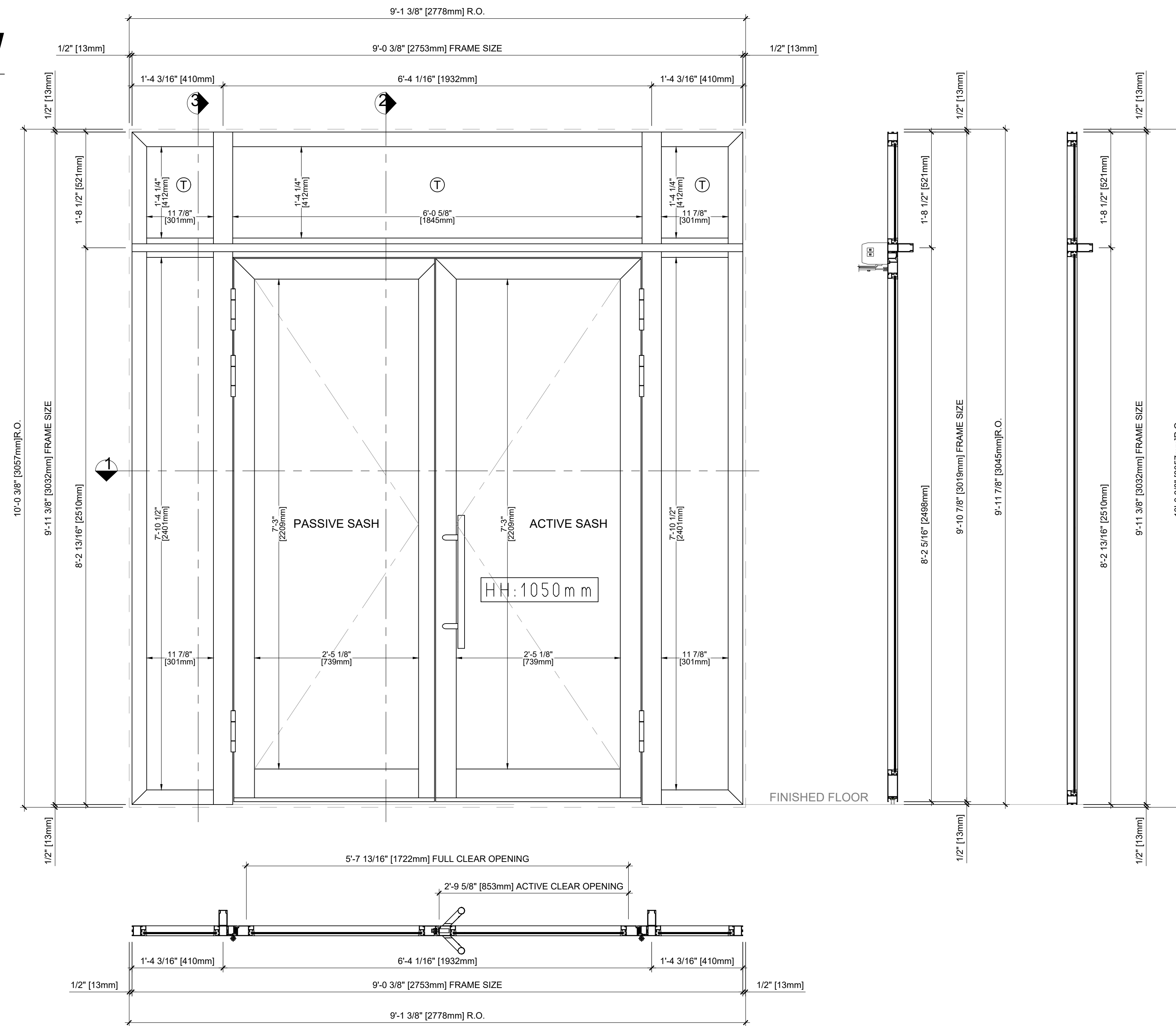
# ALUPROF 79mm Product Guide

Alu79; Optional - Double Door Storefront - Outswing

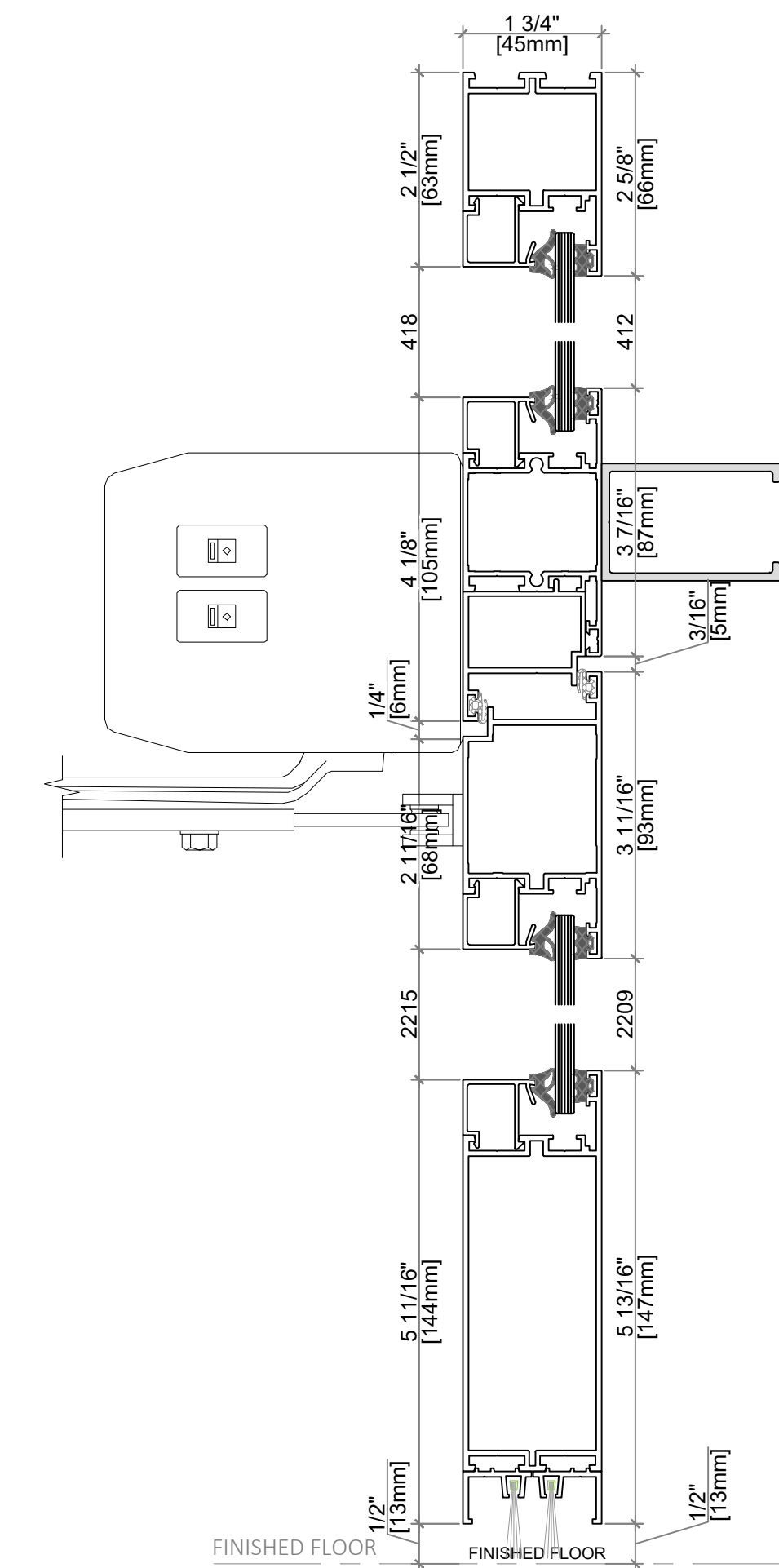
A M B E R L I N E

HIGH PERFORMANCE WINDOWS AND DOORS

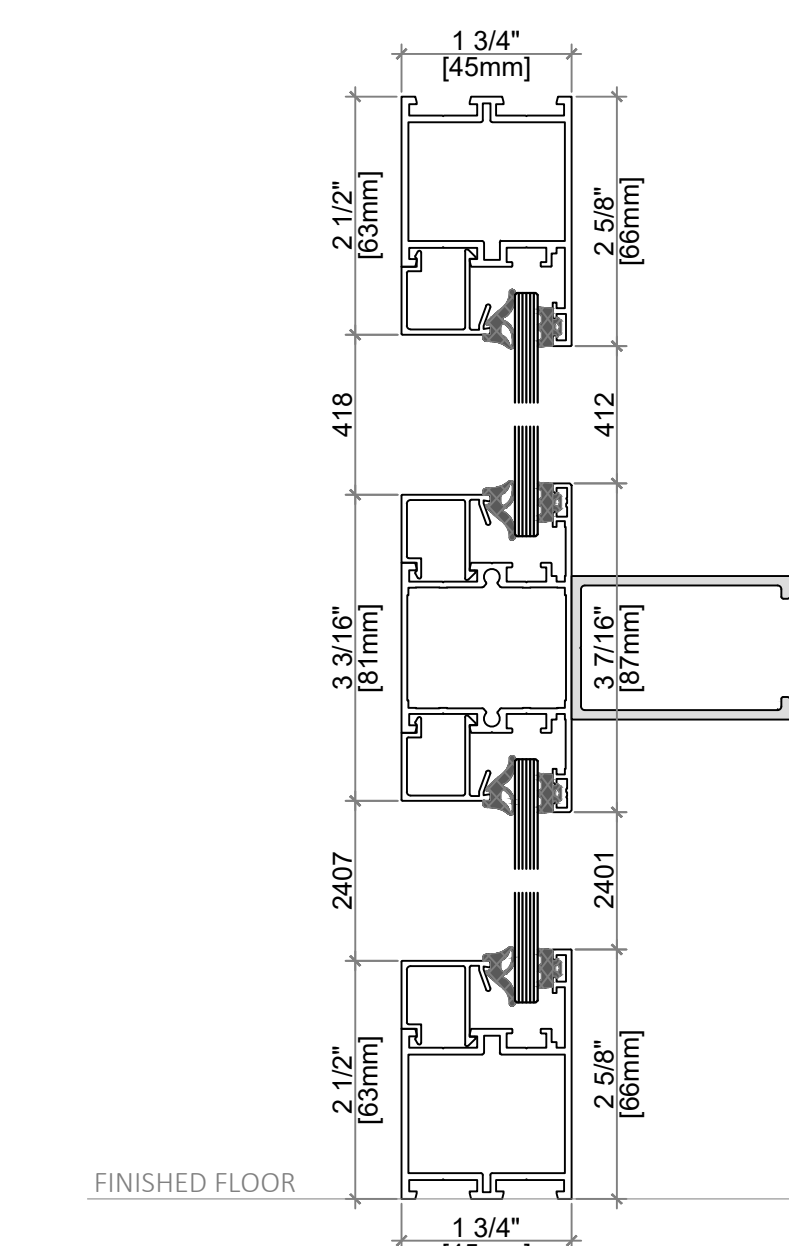
## Exterior View



## Vertical Cross Section



INT. 2 EXT.



INT. 3 EXT.

### NOTES:

**Frame System:**  
Aluprof MB-45

**Fitting Type:**  
Double Door/Storefront - Outswing

**Color:**  
Interior: Black (RAL 9005)  
Finish: Matte

**Exterior:** Black (RAL 9005)  
Finish: Matte

**Glazing:**  
6mm Tempered  
Ug - 1.0 [Btu/(H Sq Ft °F)]  
SHGC - N/A  
STC - N/A

**Handle:**  
WALA P45 600mm int./ext

**Hinges:**  
WALA Roller - Stainless Steel

**Touch Bar:**  
No

**Latches:**  
WILKA roller latch & deadbolt lock

**Levers:**  
No

**Operator Prep:**  
Yes, but provided by others  
LCN4640 Automatic Opener

**Door Closer:**  
No

**U Factor:**  
0.18 [Btu/(H Sq Ft °F)]

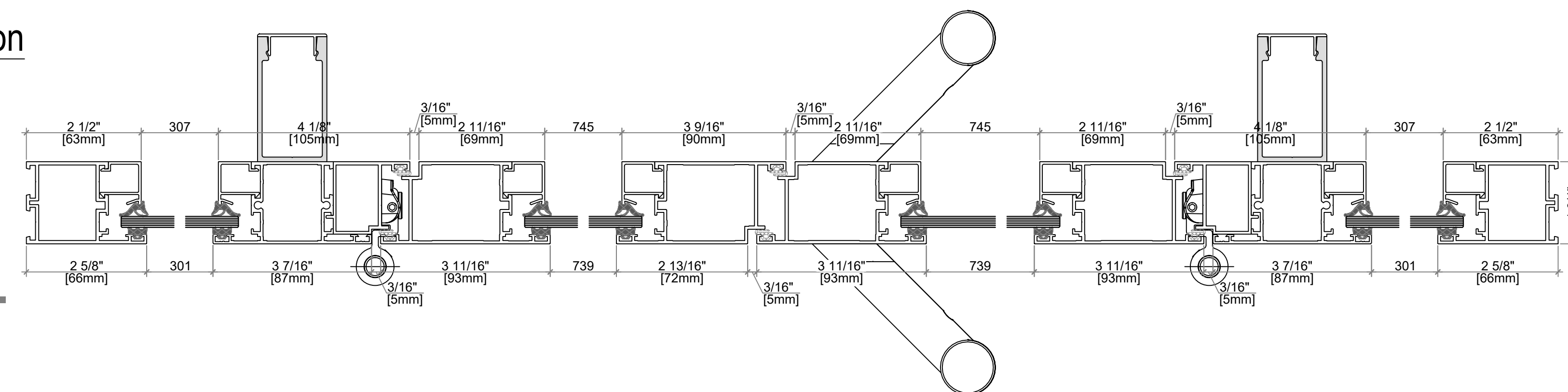
**Weight:**  
354 lbs

**Shipping:**  
De-glazed

**Note:**  
Available In Double & Triple Glazed.

## Horizontal Cross Section

INT. 1 EXT.

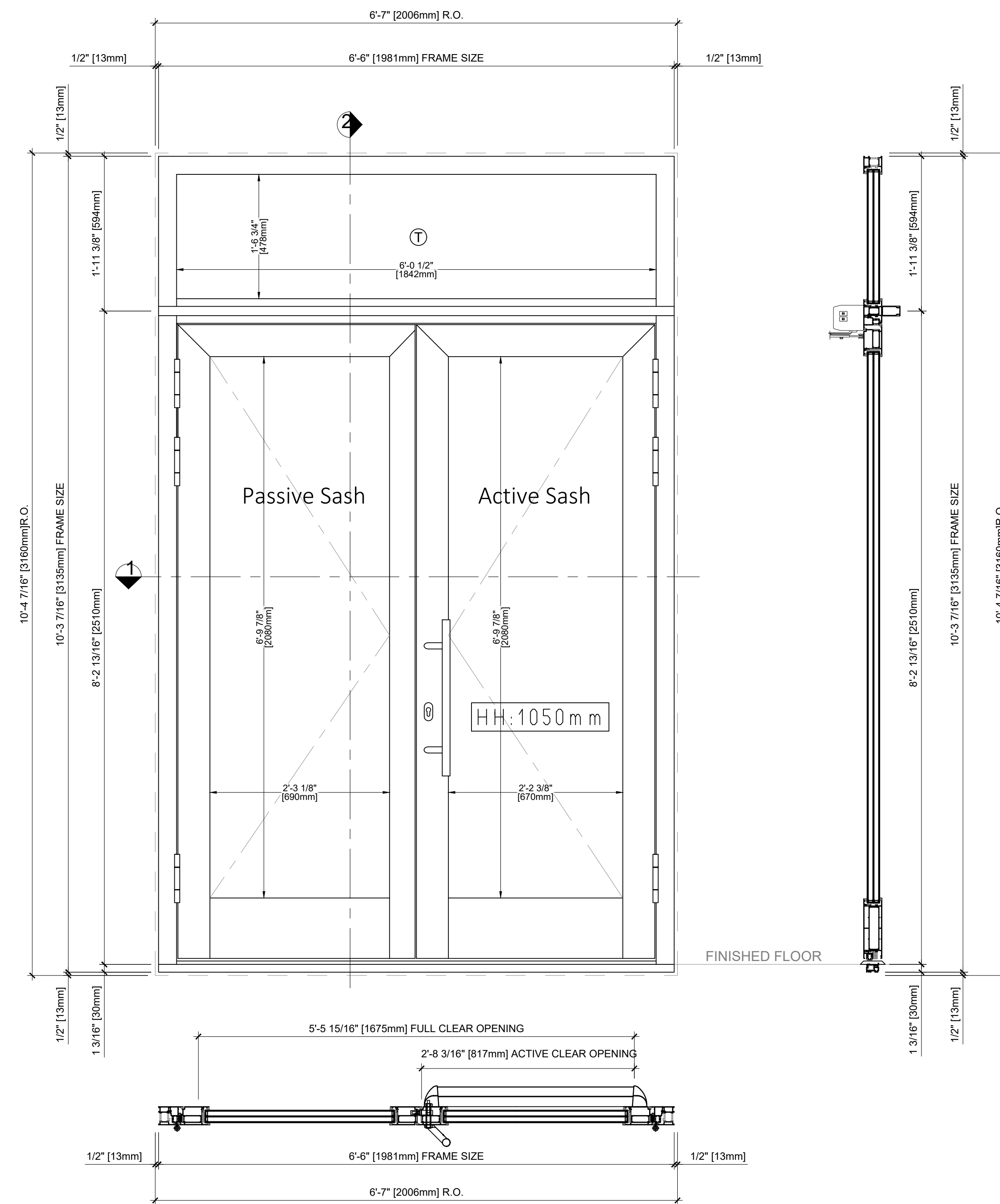


39

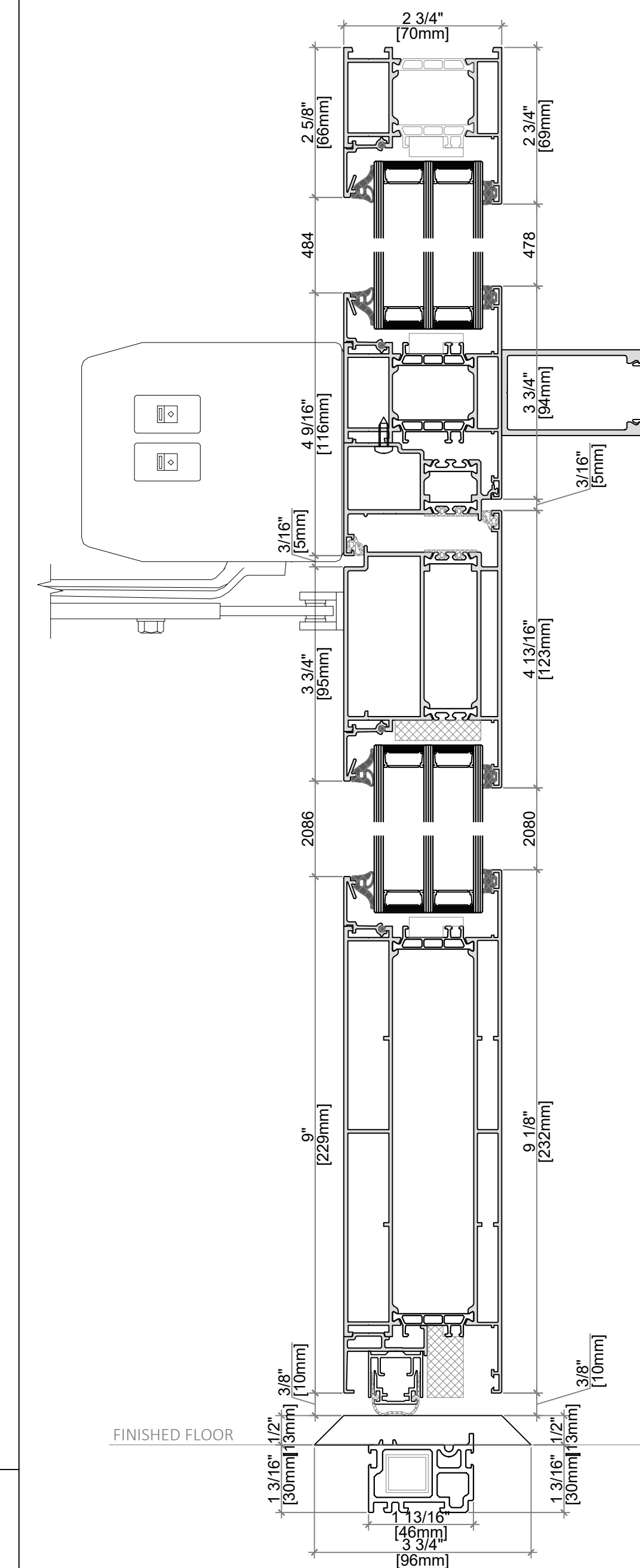
# ALUPROF 79mm Product Guide

Alu79; Optional - Double Entry Door With ADA Threshold - Outswing

## Exterior View



## Vertical Cross Section



### NOTES:

**Frame System:**  
Aluprof MB-79N

**Fitting Type:**  
Entry/Double Door - outswing

**Color:**  
Interior: Black (RAL 9005)  
Finish: Matte

**Exterior:** Black (RAL 9005)  
Finish: Matte

**Glazing:**  
4T/18 Ar/4/18 Ar/ 4T - Tempered  
Ug - .08 [Btu/(H Sq Ft °F)]  
Spacer: Warm Edge Black (RAL9004)  
SHGC - .38  
STC - 33

**Handle:**  
WALA P45 600mm - exterior - Stainless Steel

**Hinges:**  
WALA Roller - Stainless Steel

**Touch Bar:**  
Yes, Interior - Eco EPN2000 II - Stainless Steel

**Levers:**  
No

**Operator Prep:**  
Yes, but provided by others  
LCN4640 Automatic Opener

**Door Closer:**  
No

**Threshold:**  
Nylatron ADA with subthreshold - black

**Locking:**  
Key/Key

**Electric Strike:**  
Yes

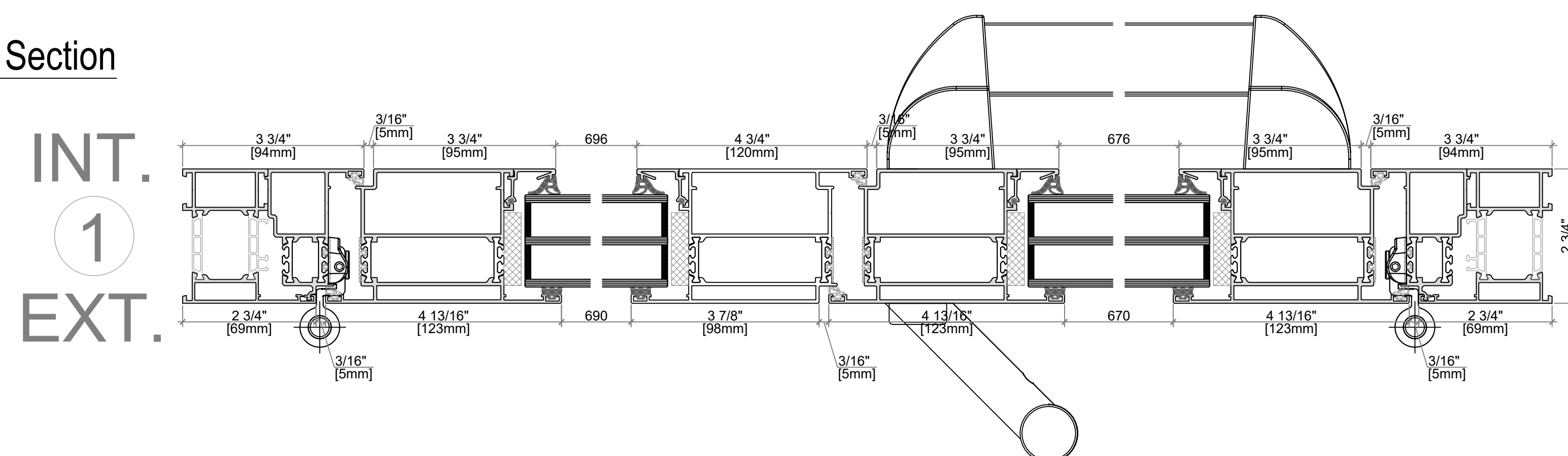
**U Factor:**  
0.21 [Btu/(H Sq Ft °F)]

**Weight:** 429 lbs

**Shipping:** De-glazed

**Note:**  
Available In Double & Triple Glazed.

## Horizontal Cross Section



INT. 2 EXT.

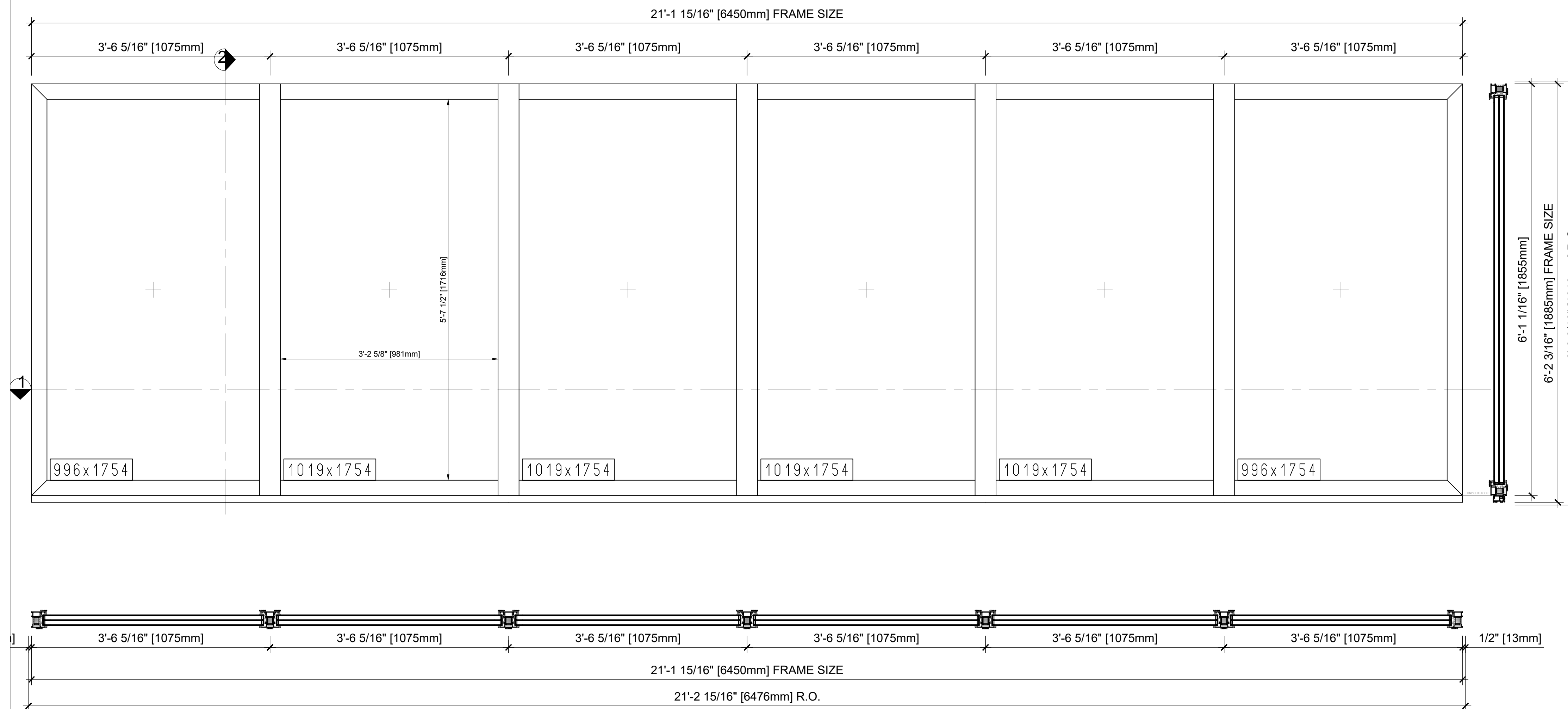
# ALUPROF 79mm Product Guide

Alu79; Optional - Storefront - Fixed

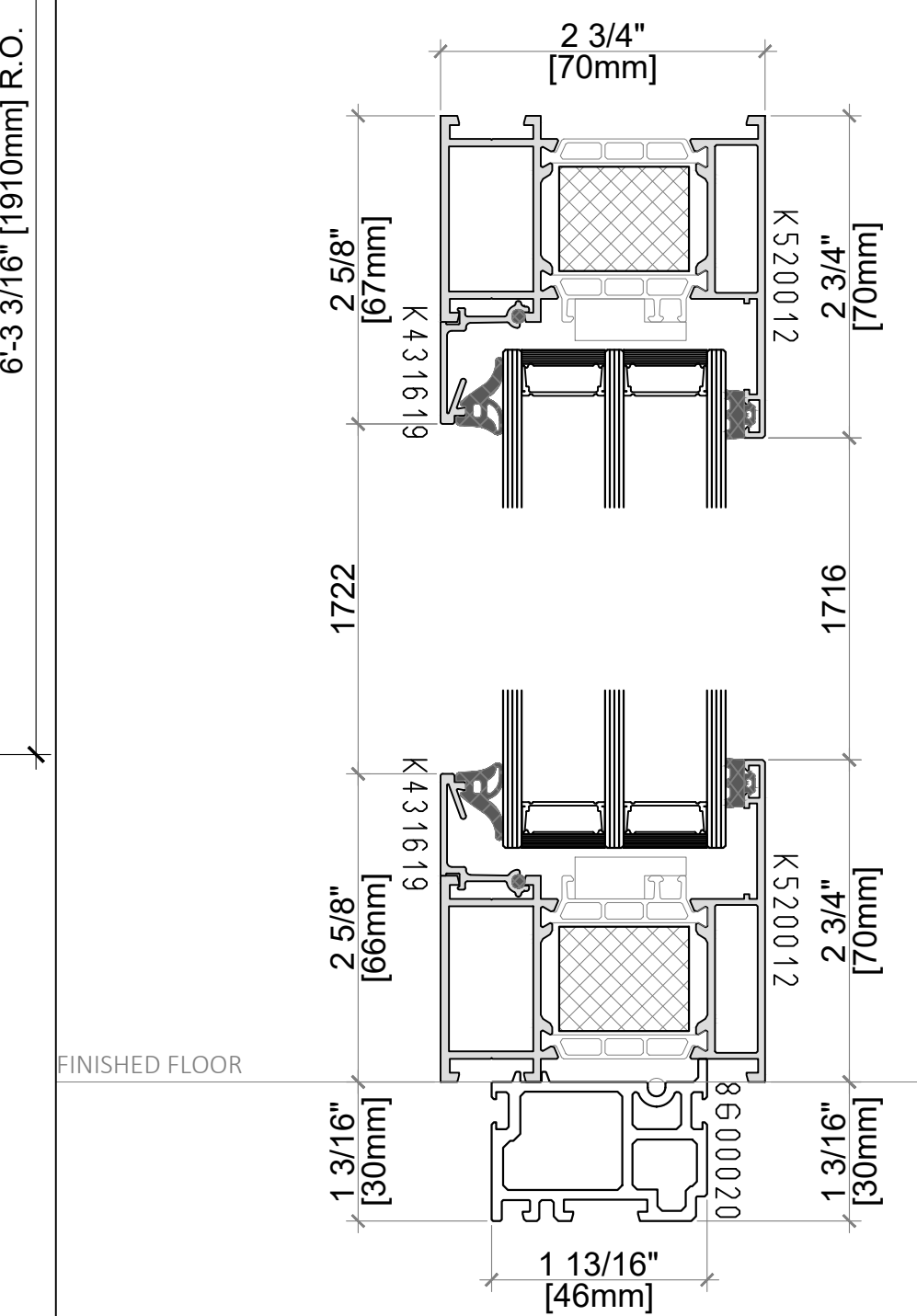
A M B E R L I N E

HIGH PERFORMANCE WINDOWS AND DOORS

## Exterior View



## Vertical Cross Section



**NOTES:**

**Frame System:**  
Aluprof MB-79N SI

**Fitting Type:**  
Storefront/Fixed

**Profile views (outside):**  
Jamb: K520012 (69.5 mm), K520200 (25.5 mm)

**Color:**  
Interior: Grey Brown (RAL 8019)  
Finish: Matte

Exterior: Grey Brown (RAL 8019)  
Finish: Matte

**Glazing:**  
4/18 Ar/4/18 Ar/4 with Argon  
(All Panes Tempered)  
Ug - .088 [Btu/(H Sq Ft °F)]  
Spacer: Warm Edge Black (RAL9004)  
SHGC - .53  
STC - 35

**U Factor:**  
0.125 [Btu/(H Sq Ft °F)]

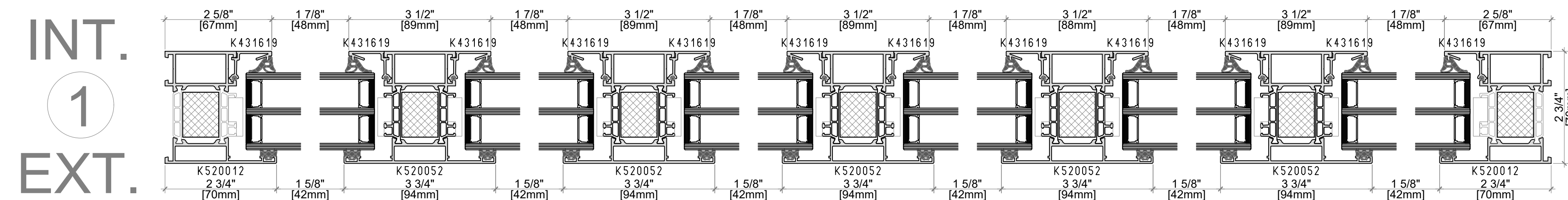
**Weight:**  
833 lbs

**Note:**  
Shipped de-glazed and some on site.  
Frame assembly required.

**Note:**  
Available In Double & Triple Glazed.

INT. ② EXT.

## Horizontal Cross Section



INT. ① EXT.