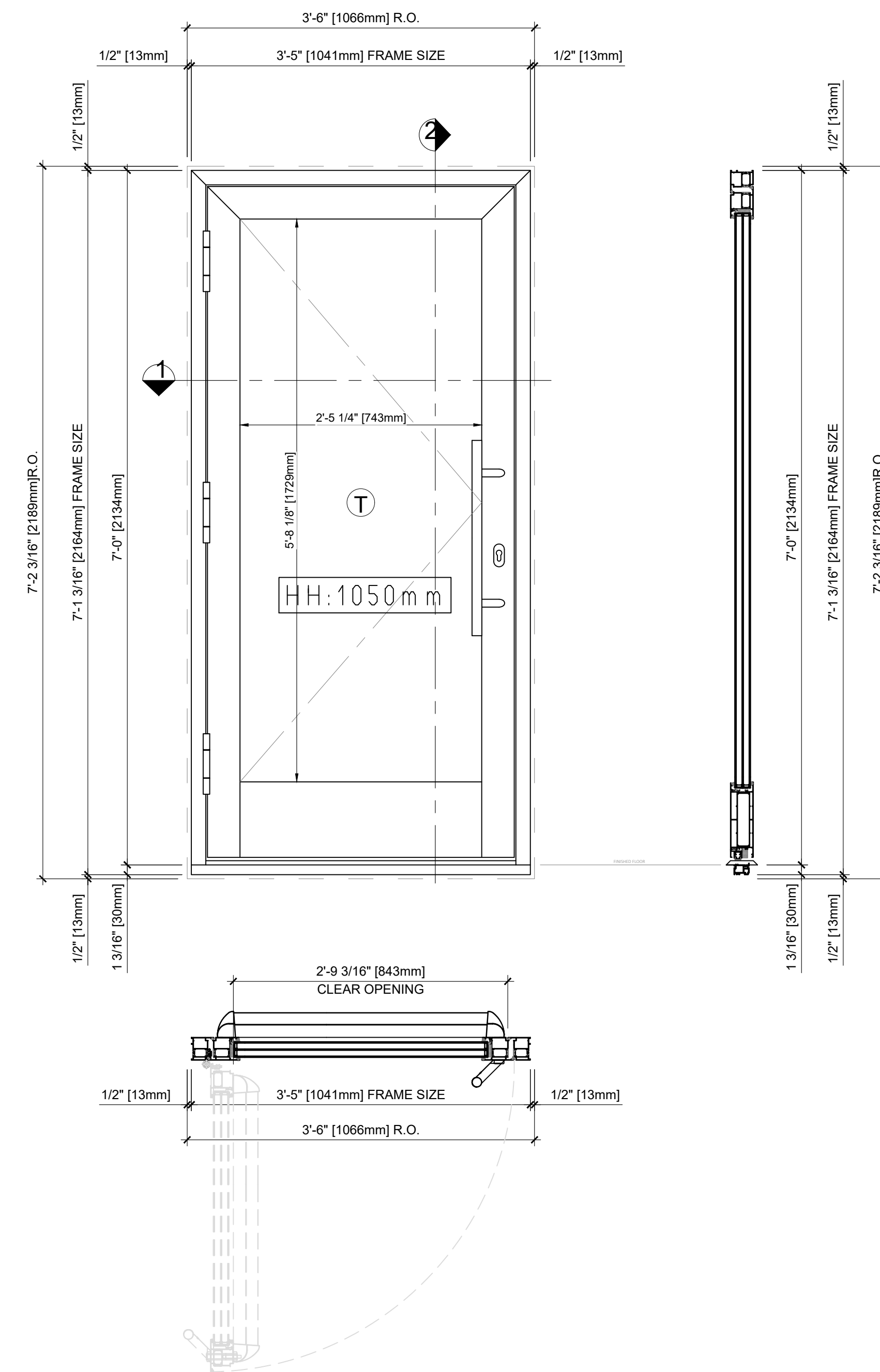


ALUPROF MB79mm: TYPICAL DOOR CONFIGURATIONS

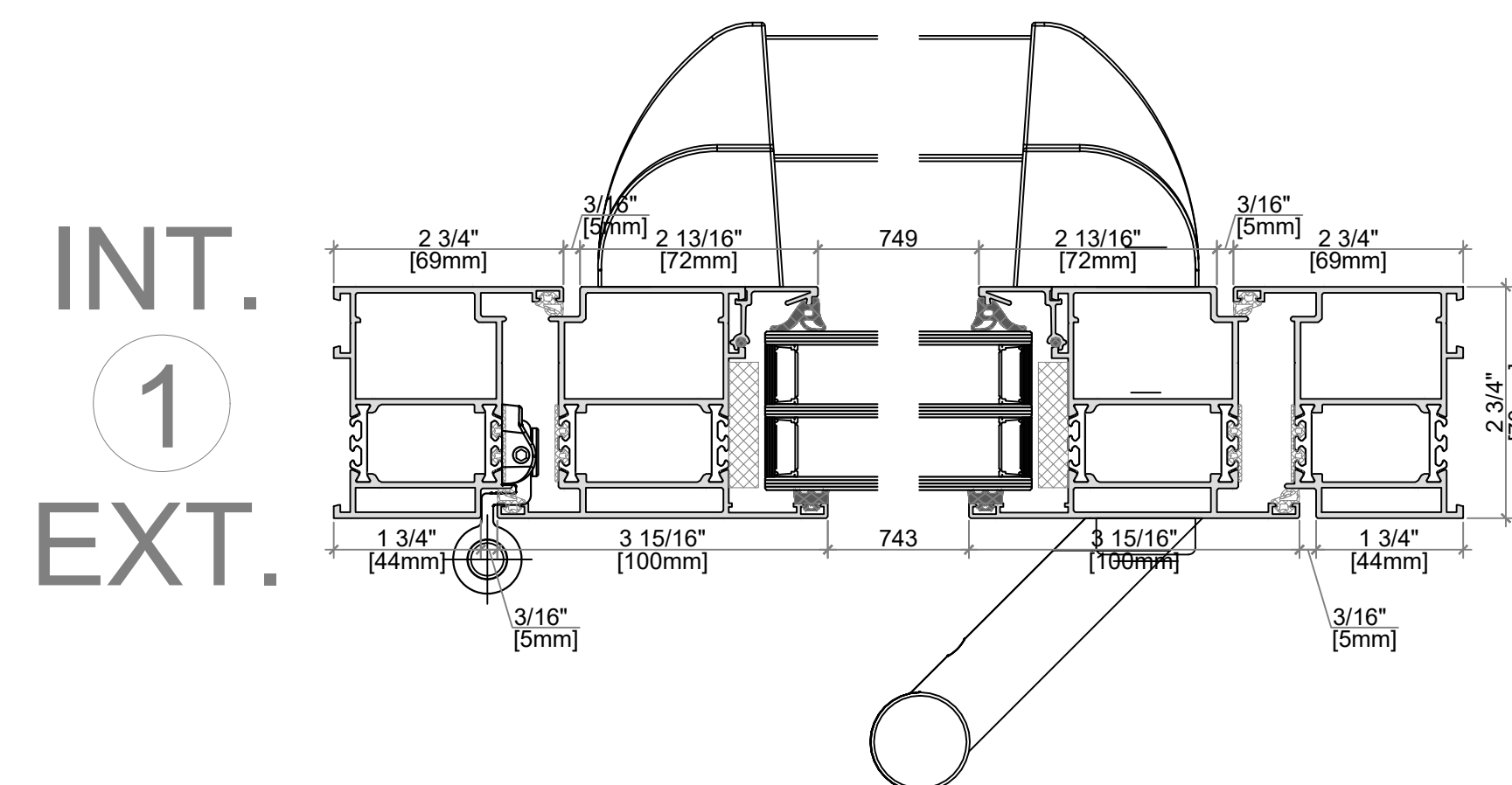
ALUPROF 79mm Product Guide

Alu79; Single Entry Door - Outswing

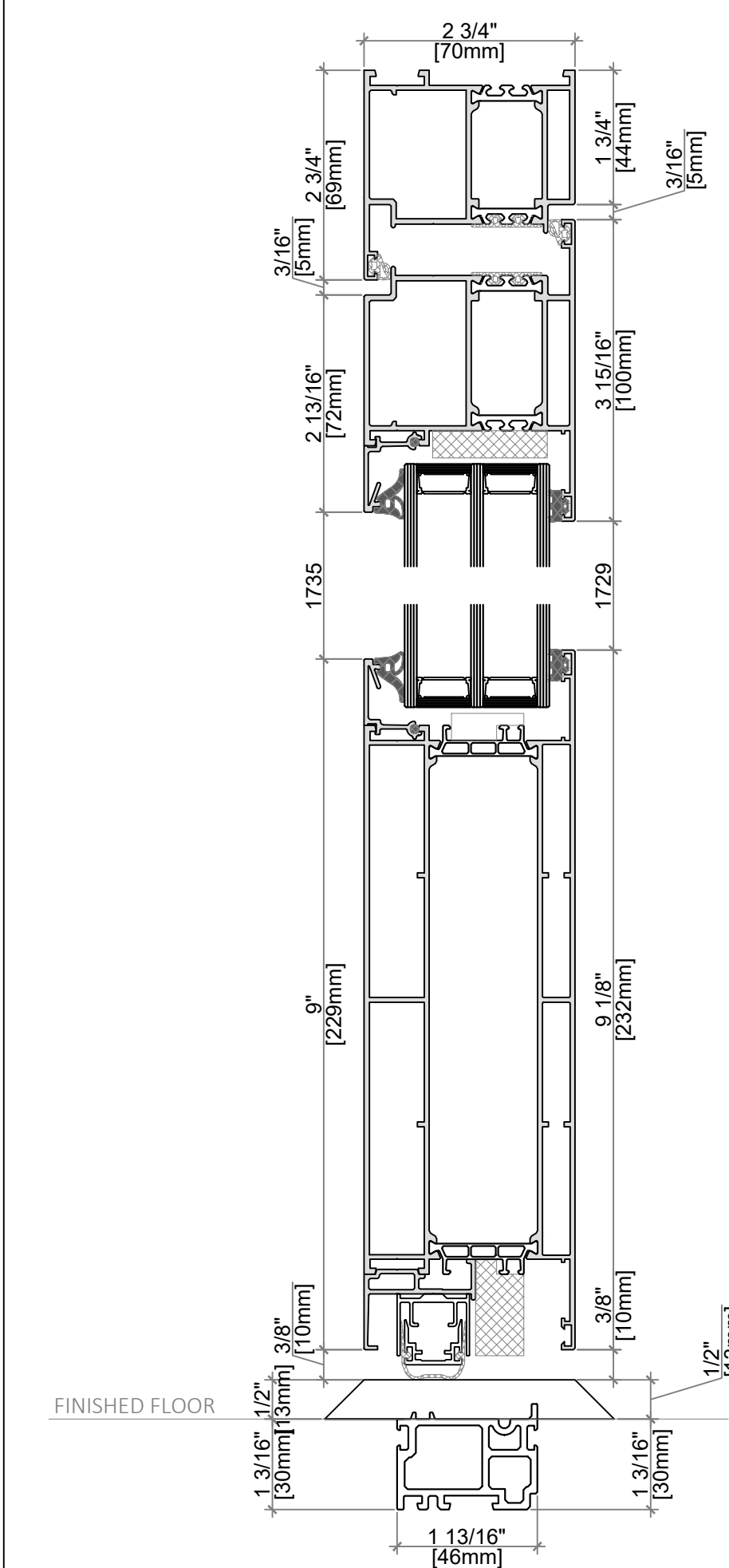
Exterior View



Horizontal Cross Section



Vertical Cross Section



INT. 2 EXT.

NOTES:

Frame System:
Aluprof MB-79N ST

Fitting Type:
Entry Door - Out Swing

Hardware Set: 2

Profile views (outside):
Jamb: K520131 (44.5 mm)
Bottom Rail: K520059 (232 mm)
Door Leaf: K520147 (100 mm)

Color:
Interior: Anthracite Grey
Finish: Matte

Exterior: Anthracite Grey
Finish: Matte

Glazing:
ESG 4T1.0/18 Ar/ESG 4/18 Ar/ESG 4T1.0
(Tempered)
Ug - .08 [Btu/(H Sq Ft °F)]
Spacer: Warm Edge Black (RAL9004)
SHGC - .38
STC - 33

U Factor:
0.22 [Btu/(H Sq Ft °F)]

Touch Bar:
Yes, ECO Schulte - Stainless Steel

Handle:
Pull Handle, Exterior, WALA P45 600mm, Stainless Steel

Door Closer:
No

Hinges:
WALA - Roller Hinges - Stainless Steel

Weight:
152 lbs

Auto Operator Pre: Yes, (Operator by Others)

Threshold:
ADA - Nylatron with Plastic Sub Threshold and Steel Insert

Latches: Wilka Single Point

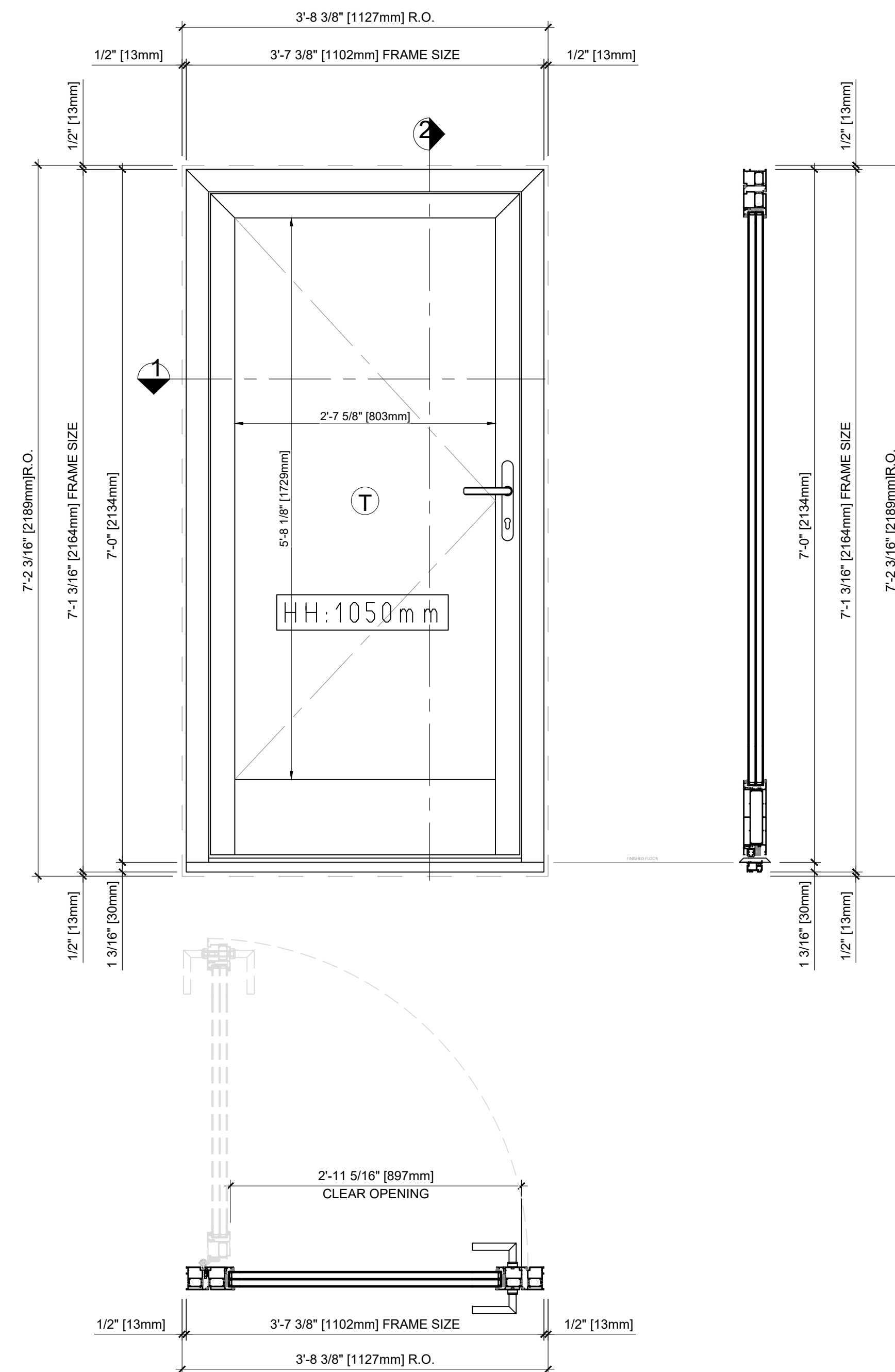
Locking:
Key / Key (w/ Mortise Lock / Euro-Style Lock Core, Anti Panic)

Note:
Available In Double & Triple Glazed.

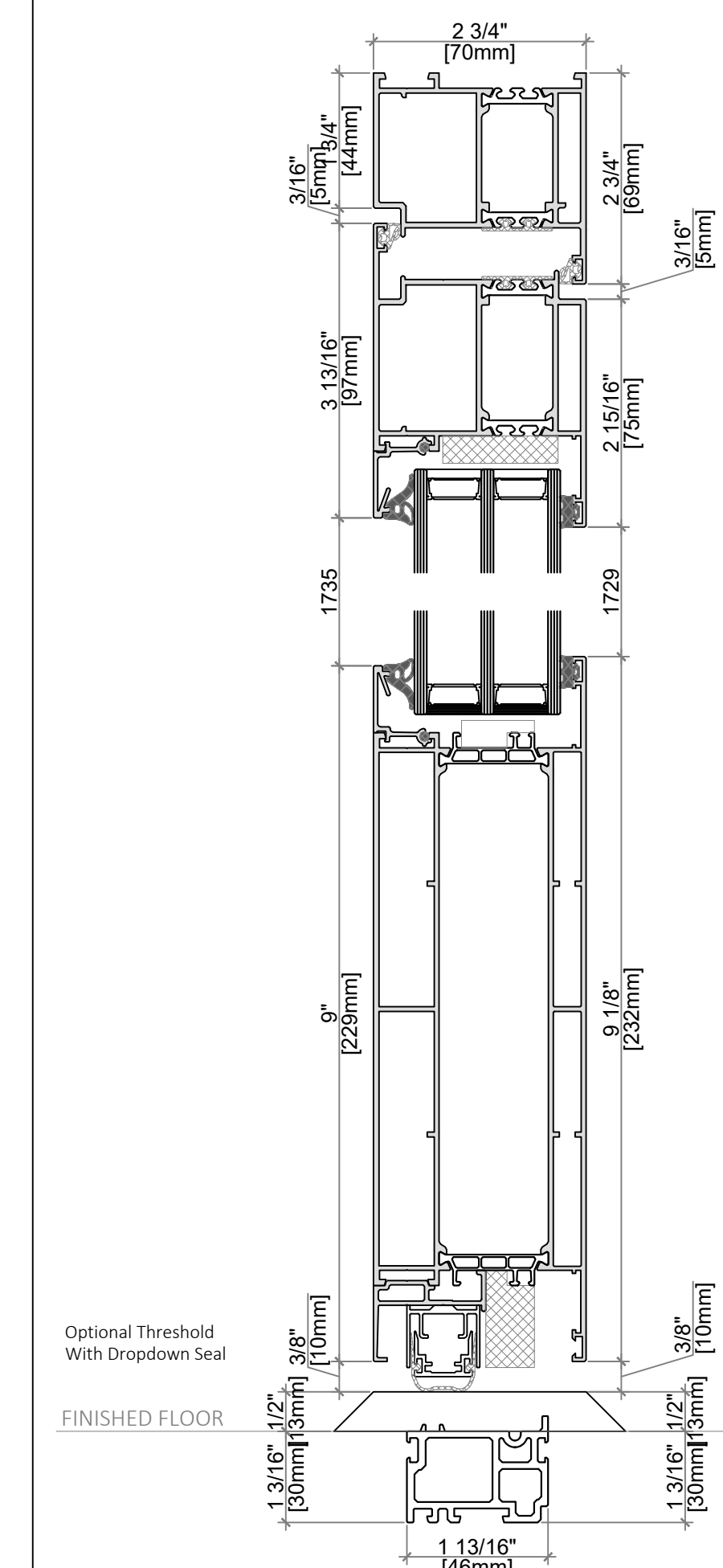
ALUPROF 79mm Product Guide

Alu79; Optional Residential Single Entry Door With ADA Threshold - Inswing

Exterior View



Vertical Cross Section



INT. 2 EXT.

NOTES:

Frame System:
Aluprof MB-79N ST

Fitting Type:
Entry Door - In Swing

Hardware Group: 14

Profile views (outside):
Jamb: K520130 (69.5 mm)
Bottom Rail: K520059 (232 mm)
Door Leaf: K520145 (75 mm)

Color:
Interior: Anthracite Grey
Finish: Matte

Exterior: Anthracite Grey
Finish: Matte

Glazing:
ESG 4T1.0/18 Ar/ESG 4/18 Ar/ESG 4T1.0
(Tempered)
Ug - .08 [Btu/(H Sq Ft °F)]
Spacer: Warm Edge Black (RAL9004)
SHGC - .38
STC - 33

U Factor:
0.22 [Btu/(H Sq Ft °F)]

Touch Bar: No

Handle:
Aluprof - Style Handle, Stainless Steel
Pull Handle, Exterior, WALA P45 600mm

Door Closer: No

Bottom Rail: Raised 10" off AFF

Hinges:
WALA - Roller Hinges - Stainless Steel

Weight:
161 lbs

Auto Operator Pre: No

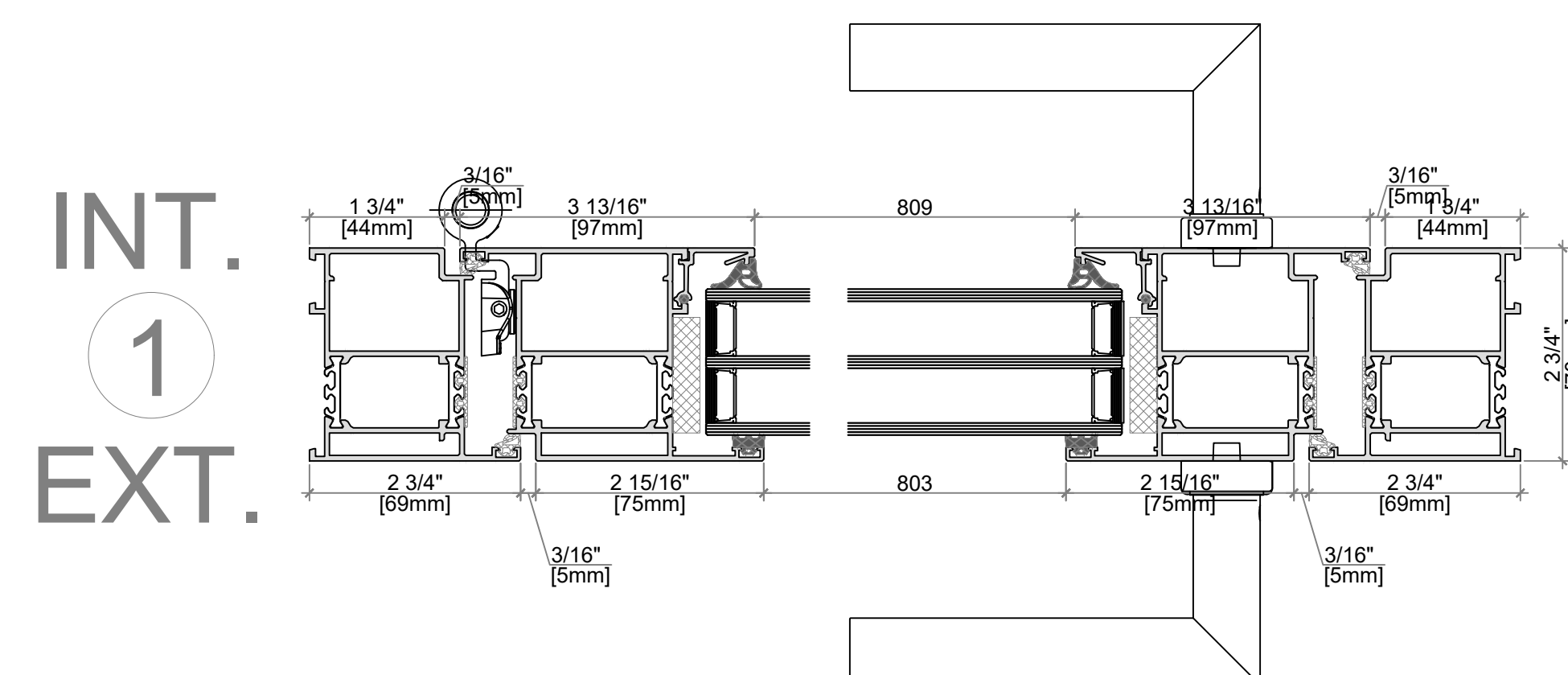
Threshold:
ADA - Nylatron with Plastic Sub Threshold and Steel Insert

Latches: Winkhaus 3-point with WILKA deadbolt

Locking:
Deadbolt with interior thumb turn, WILKA euro-style lock core, anti-panic

Note:
Available In Double & Triple Glazed.

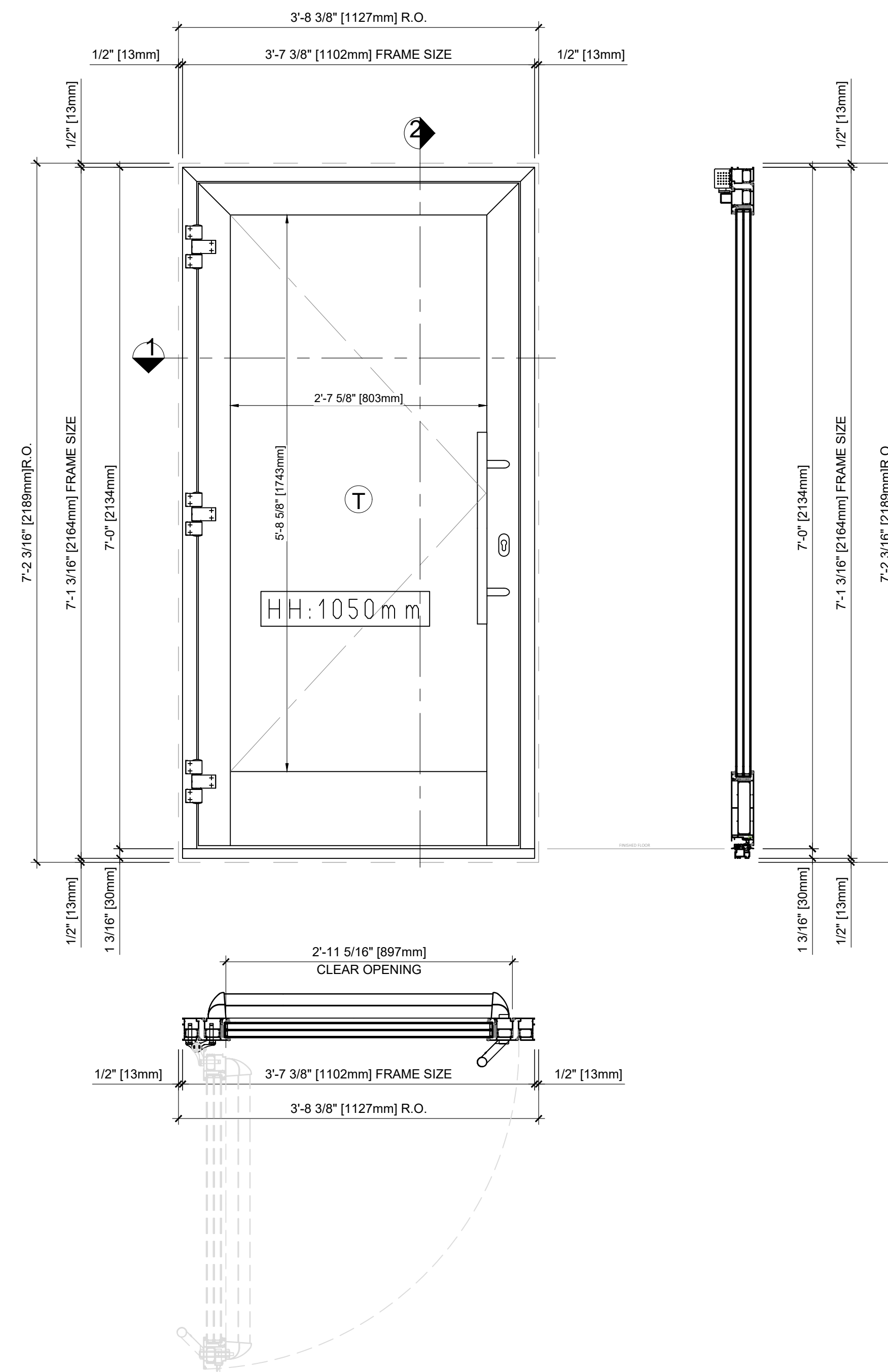
Horizontal Cross Section



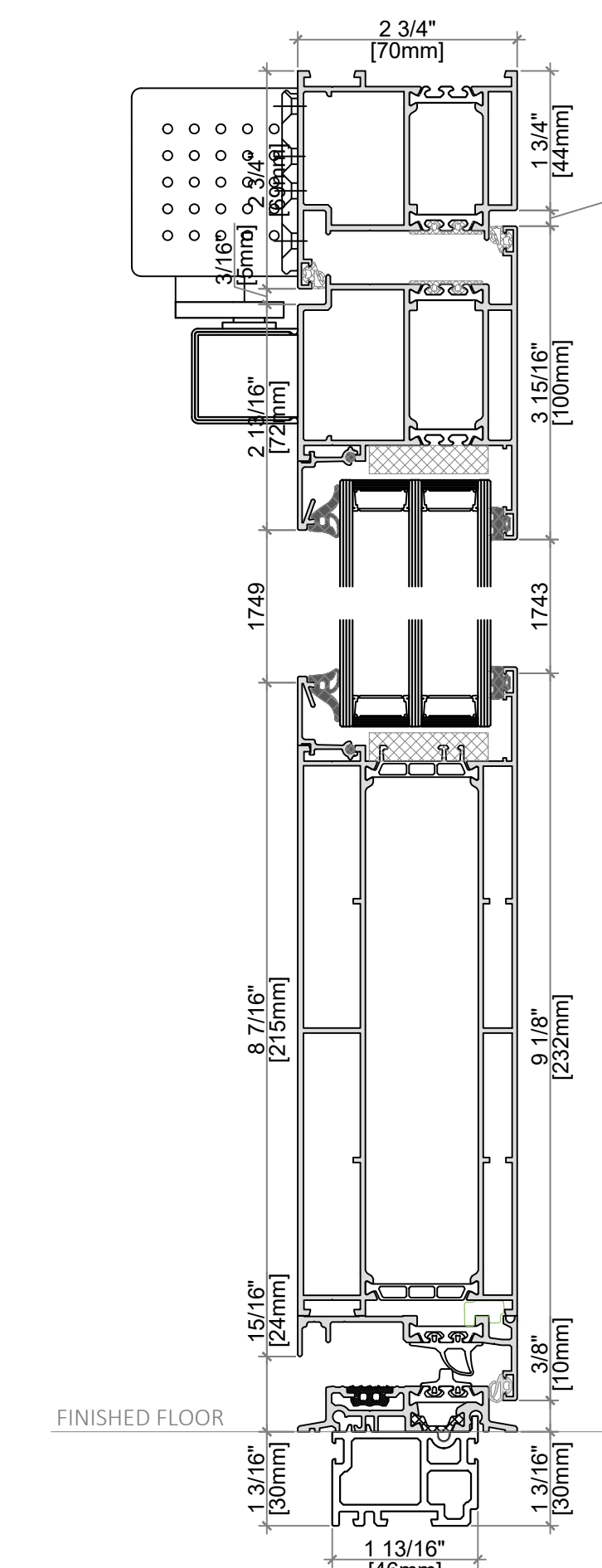
ALUPROF 79mm Product Guide

Alu79; Optional - MB79N - Single Egress or Utility Door - Outswing

Exterior View



Vertical Cross Section



NOTES:

Frame System:
Aluprof MB-79N ST

Fitting Type:
Entry Door - Out Swing

Hardware Group: 6

Profile views (outside):
Jamb: K520131 (44.5 mm)
Bottom Rail: K520059 (232 mm)
Door Leaf: K520147 (100 mm)

Color:
Interior: Anthracite Grey
Finish: Matte

Exterior: Anthracite Grey
Finish: Matte

Glazing:
ESG 4T1.0/18 Ar/ESG 4/18 Ar/ESG 4T1.0
(Tempered)
Ug - .08 [Btu/(H Sq Ft °F)]
Spacer: Warm Edge Black (RAL9004)
SHGC - .38
STC - 33

U Factor:
0.22 [Btu/(H Sq Ft °F)]

Touch Bar:
Yes, ECO Schulte - Stainless Steel

Handle:
Pull Handle, Exterior & Interior, WALA P45 600mm
Exterior Stainless Steel

Door Closer:
Yes, Dorma, Silver, Surface Mounted

Hinges:
WALA - MX/WX Surface Mounted, Left -
Stainless Steel

Weight:
161 lbs

Auto Operator Pre: No

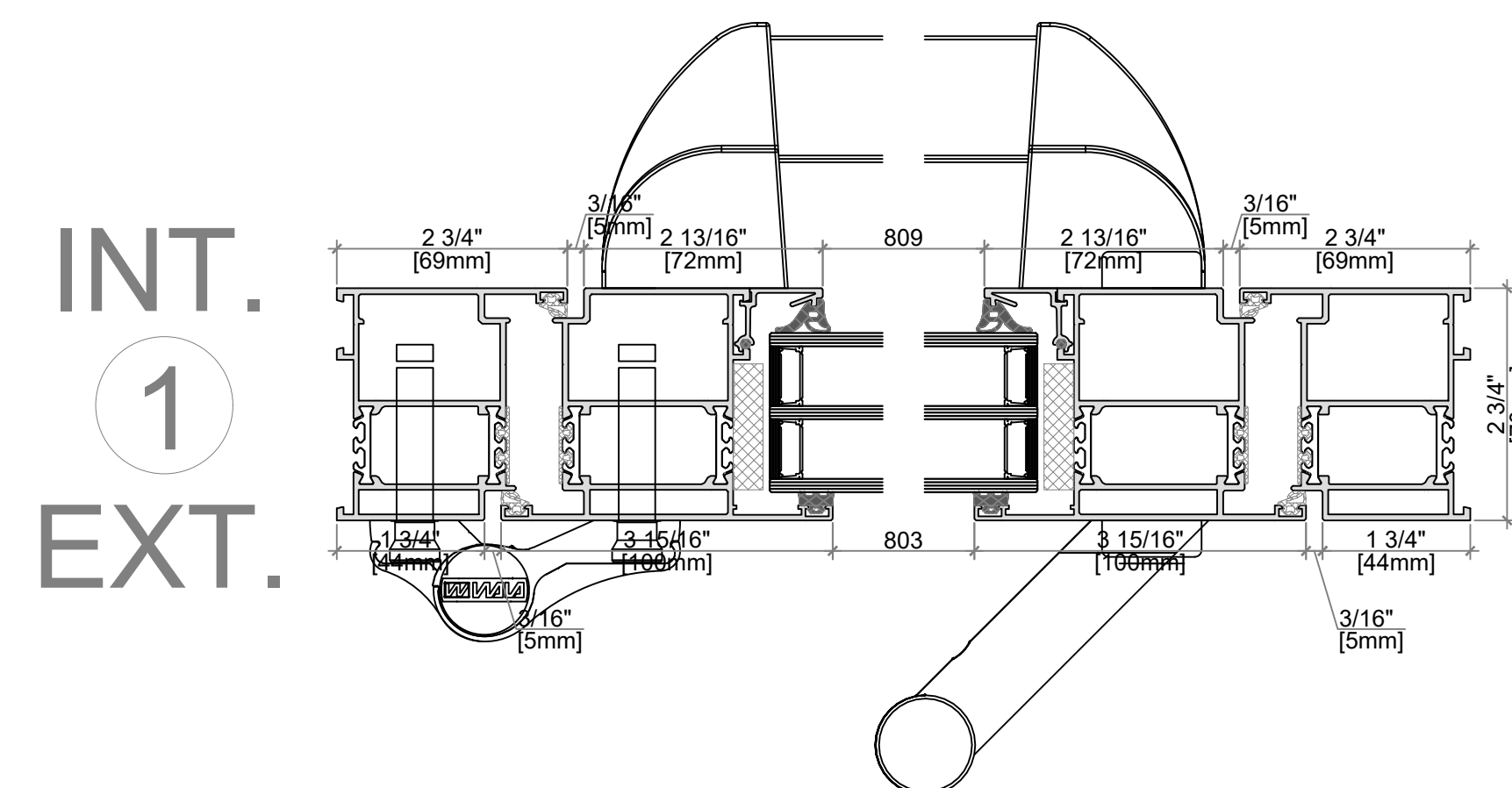
Threshold: Standard with Sub Sill

Latches: Multi Point with Anti Panic

Locking: WILKA W/ Mortise Lock, Euro-Style
Lock Core, Anti Panic

Note:
Available In Double & Triple Glazed.

Horizontal Cross Section



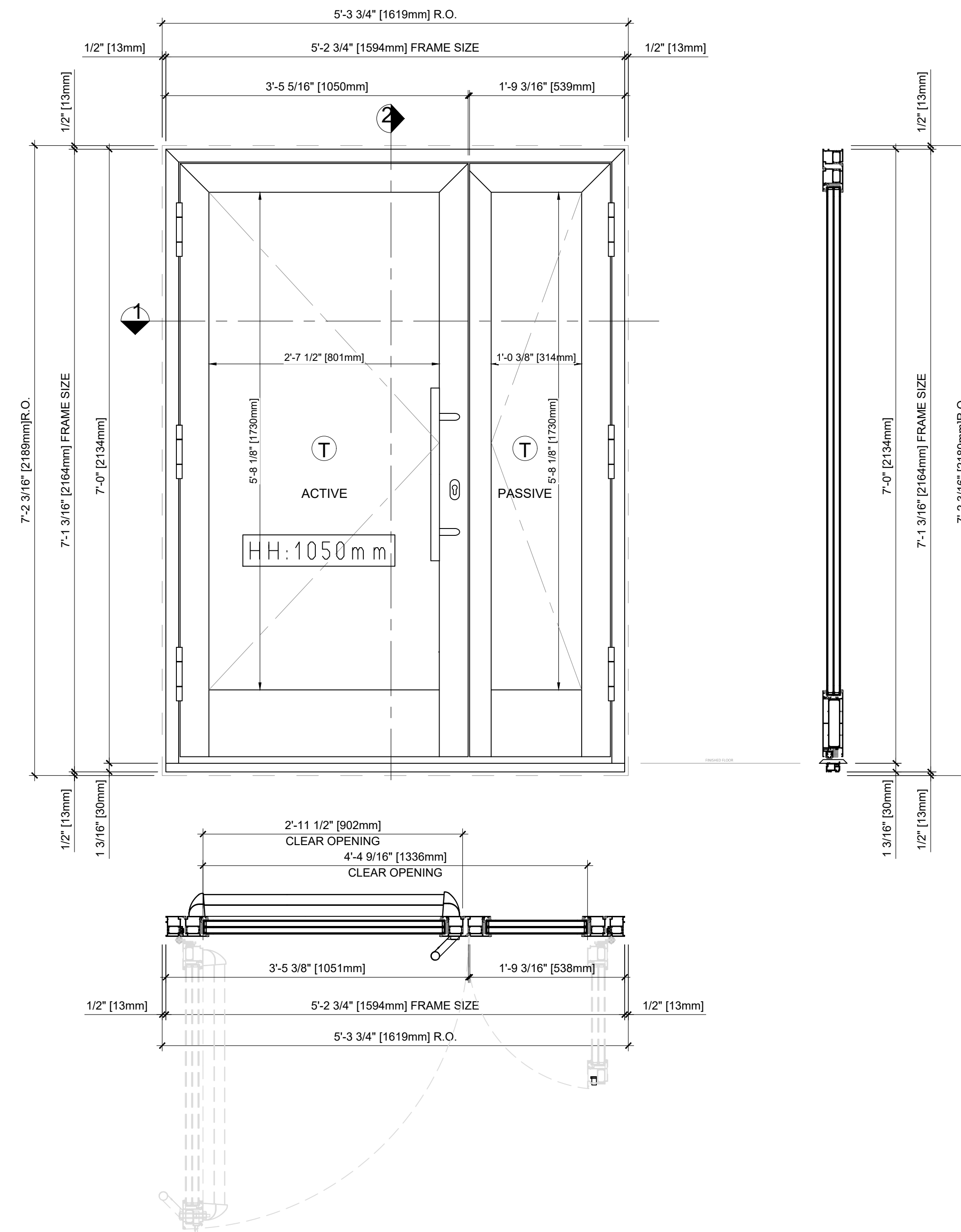
INT. ② EXT.

ALUPROF 79mm Product Guide

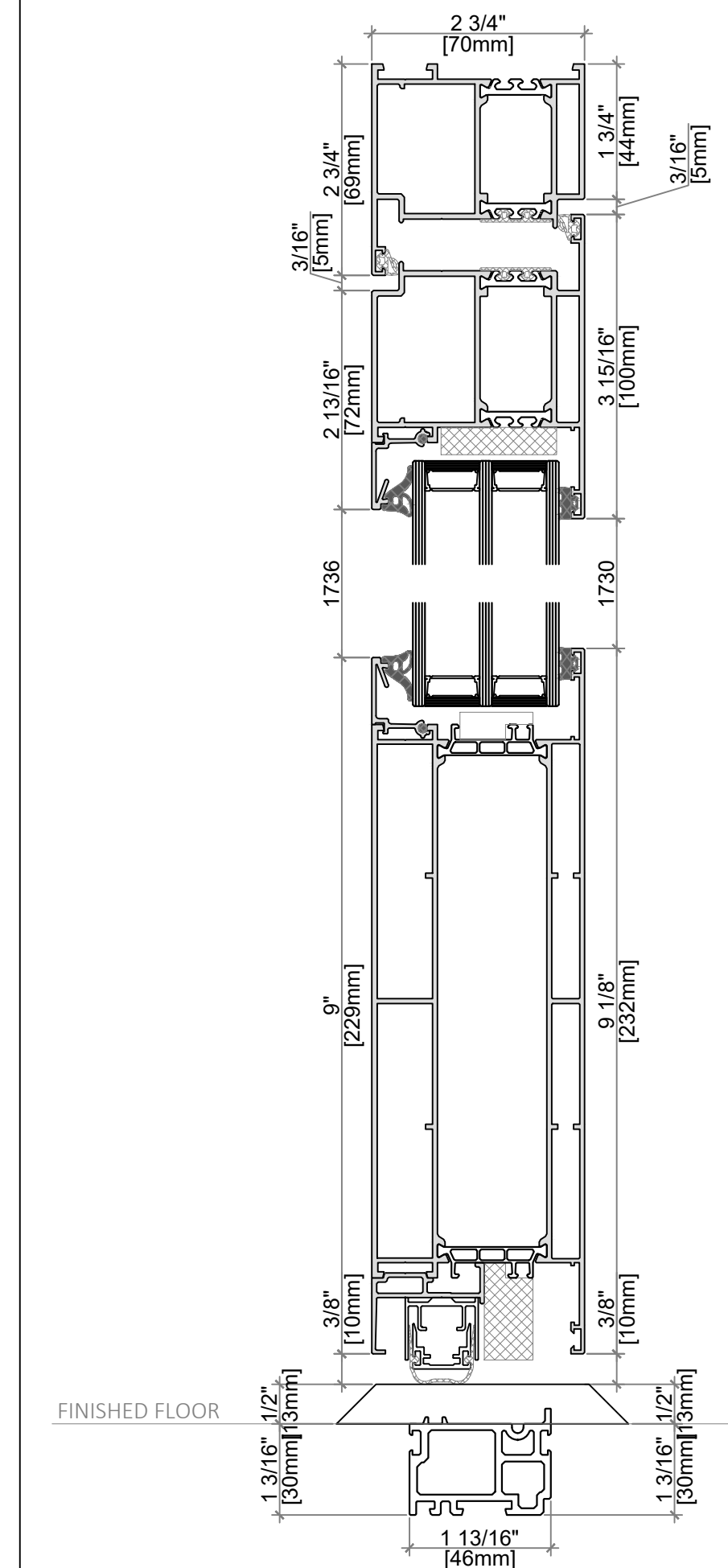
Alu79; Single Entry Door - Outswing

A M B E R L I N E
HIGH PERFORMANCE WINDOWS AND DOORS

Exterior View



Vertical Cross Section



NOTES:

Frame System:
Aluprof MB-79N ST

Fitting Type:
Entry Door - Out Swing (Active & Passive)

Hardware Group: 2

Profile views (outside):
Jamb: K520131 (44.5 mm)
Bottom Rail: K520059 (232 mm)
Door Leaf: K520147 (100 mm), K520145 (75 mm)

Color:
Interior: Anthracite Grey
Finish: Matte

Exterior: Anthracite Grey
Finish: Matte

Glazing:
ESG 4T1.0/18 Ar/ESG 4/18 Ar/ESG 4T1.0
(Tempered)
Ug - .08 [Btu/(H Sq Ft °F)]
Spacer: Warm Edge Black (RAL9004)
SHGC - .38
STC - 33

U Factor:
0.21 [Btu/(H Sq Ft °F)]

Touch Bar: Yes, ECO Schulte - Stainless Steel

Handle:
Pull Handle, Exterior, WALA P45 600mm,
Stainless Steel

Door Closer: No

Hinges:
WALA - Roller Hinges - Stainless Steel

Weight:
304 lbs

Auto Operator Pre: Yes (Operator by Others)

Threshold: ADA - Nylatron with Plastic Sub
Threshold and Steel Insert

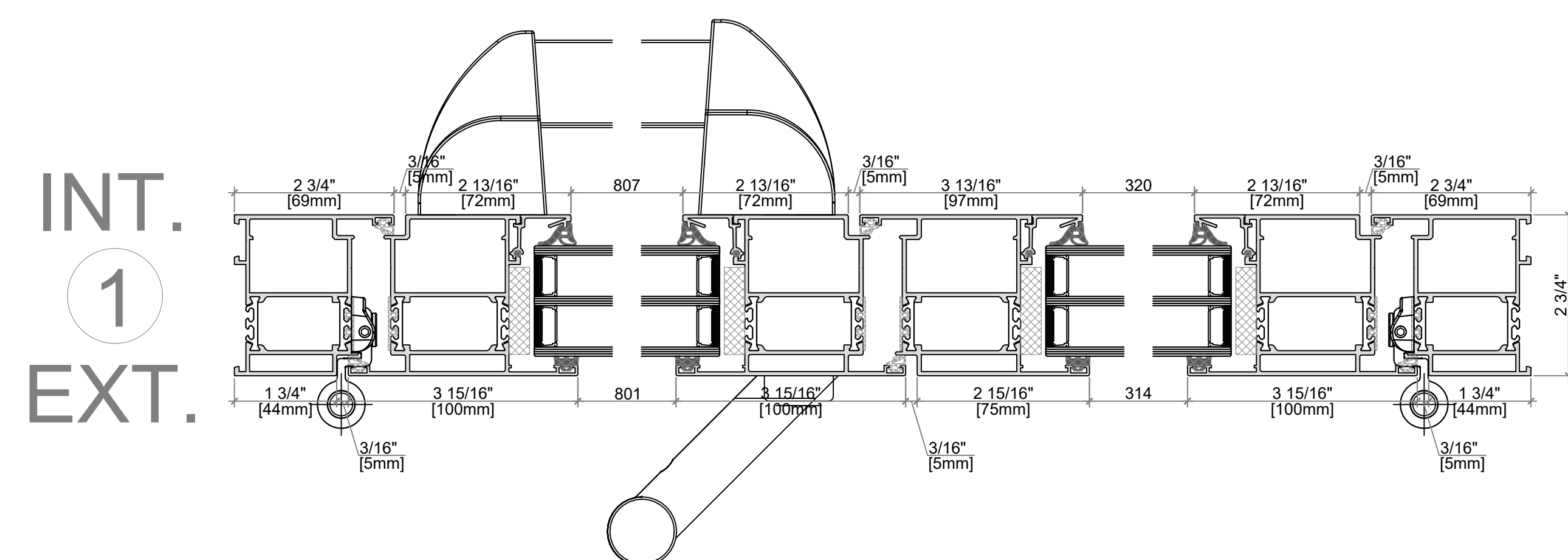
Latches: WALA Single Point

Locking: Key/Key - WILKA with Mortise Lock,
Euro-style Lock Core, Anti Panic

Electric Strike: Yes

Note:
Available In Double & Triple Glazed.

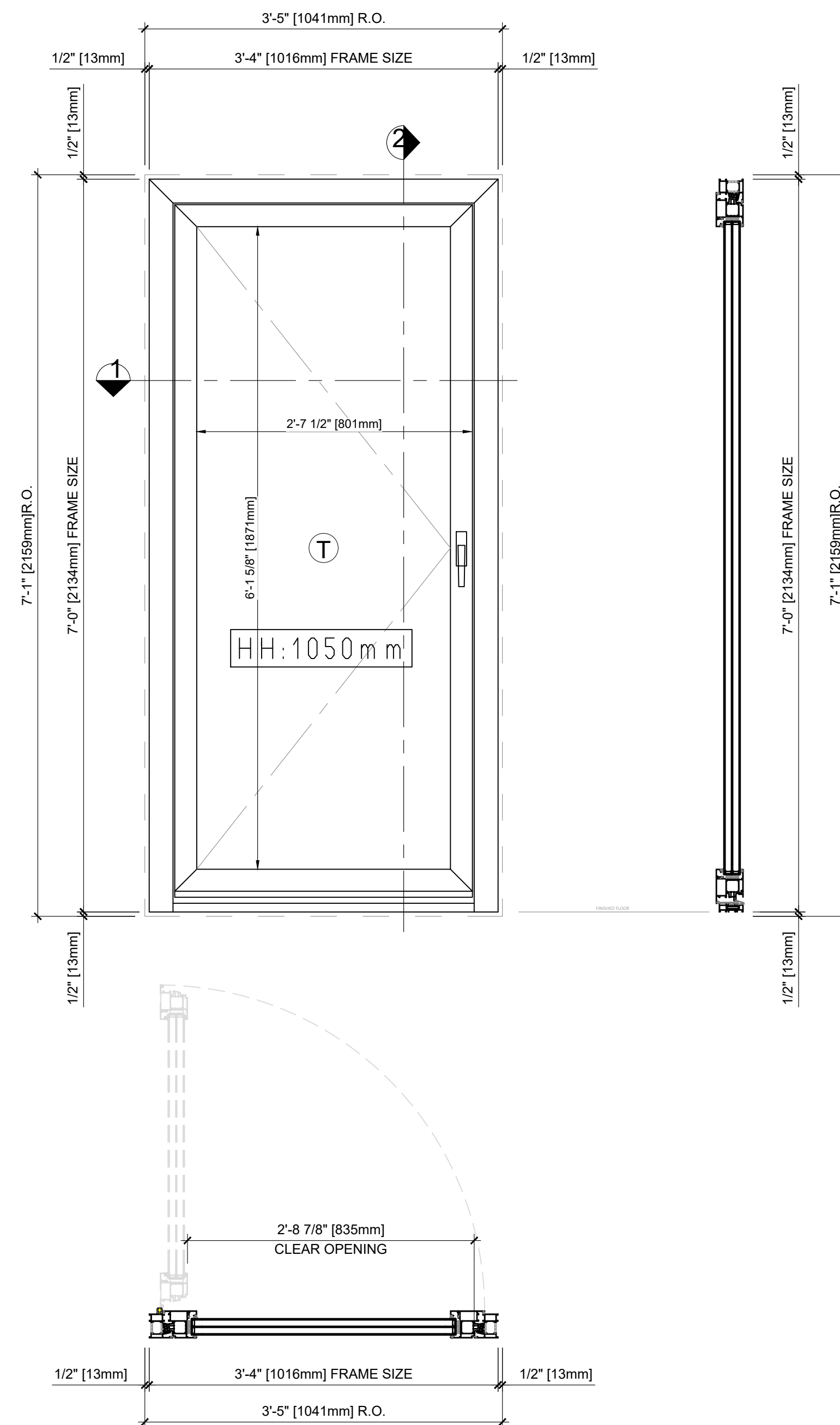
Horizontal Cross Section



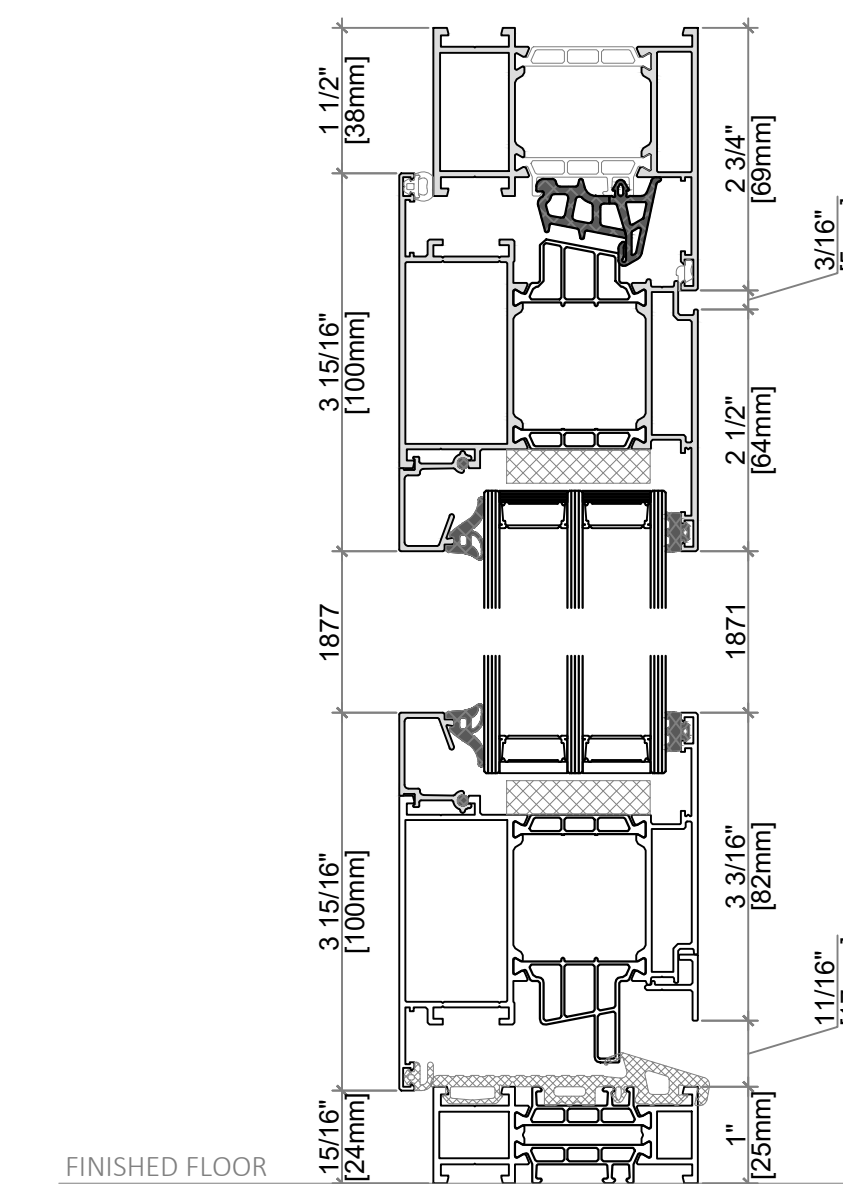
ALUPROF 79mm Product Guide

Alu79; Optional - Single Patio Door - Inswing

Exterior View



Vertical Cross Section



INT. 2 EXT.

NOTES:

Frame System:
Aluprof MB-79N ST

Fitting Type:
Patio Door

Profile views (outside):
Jamb: K520012 (69.5 mm), K520200 (25.5 mm)
Window Vent: K520104 (64 mm), K520108 (64 mm)

Color:
Interior: Anthracite Grey
Finish: Matte

Exterior: Anthracite Grey
Finish: Matte

Glazing:
ESG 4T1.0/18 Ar/ESG 4/18 Ar/ESG 4T1.0
(Tempered)
Ug - .08 [Btu/(H Sq Ft °F)]
Spacer: Warm Edge Black (RAL9004)
SHGC - .38
STC - 33

U Factor:
0.17 [Btu/(H Sq Ft °F)]

Touch Bar:
No

Handle:
FKS 35A/1200

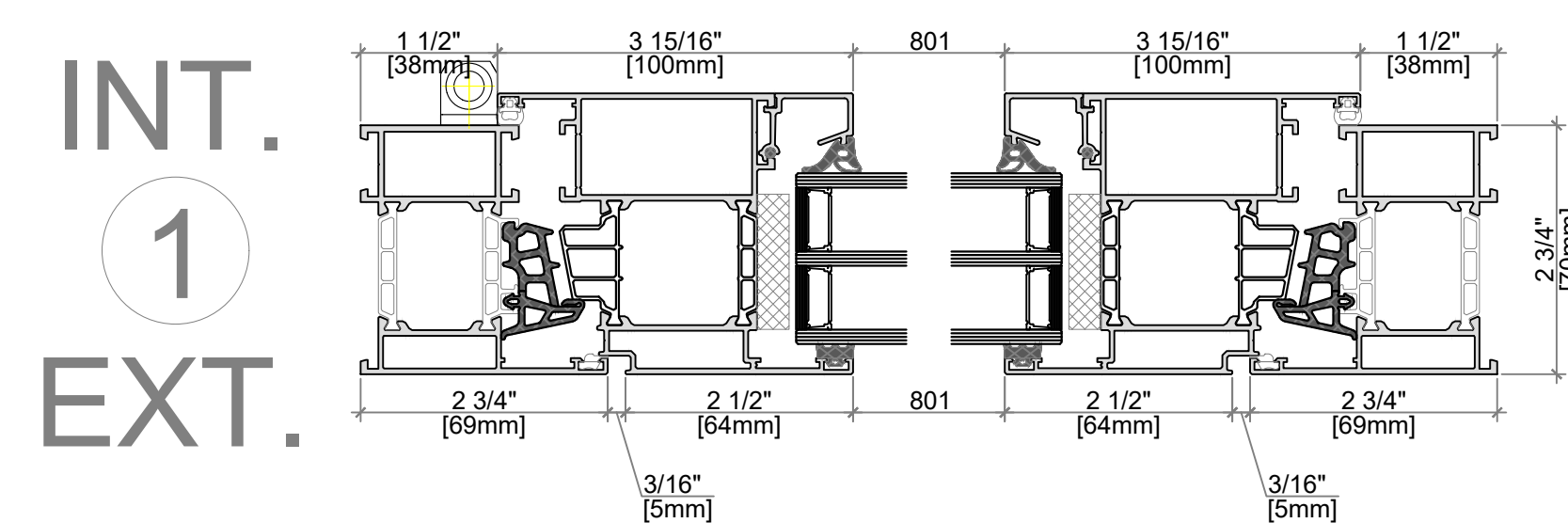
Door Closer:
No

Hinges:
Inside and Out with Keyed Exterior and Interior
Thumb Lock

Weight:
163 lbs

Note:
Available In Double & Triple Glazed.

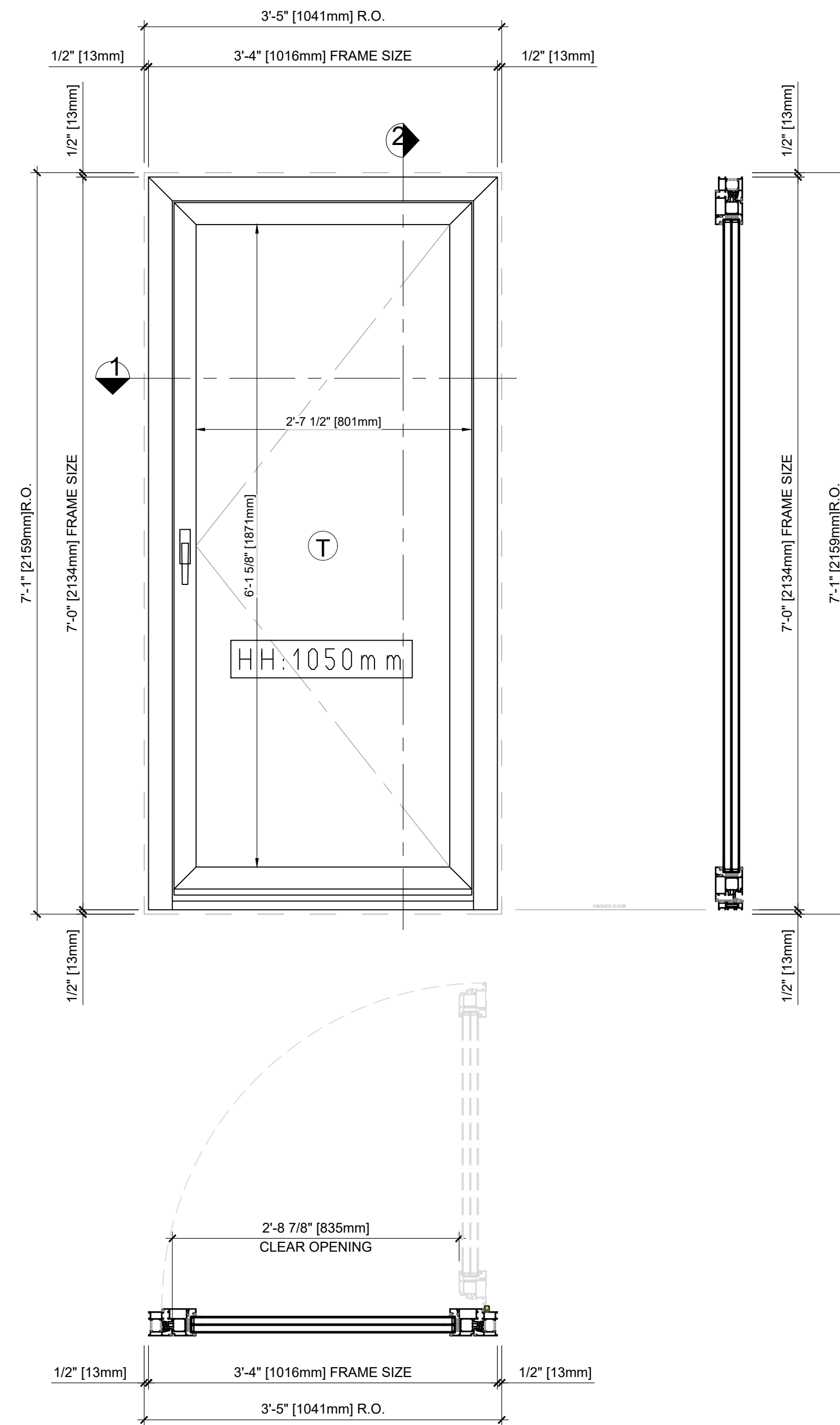
Horizontal Cross Section



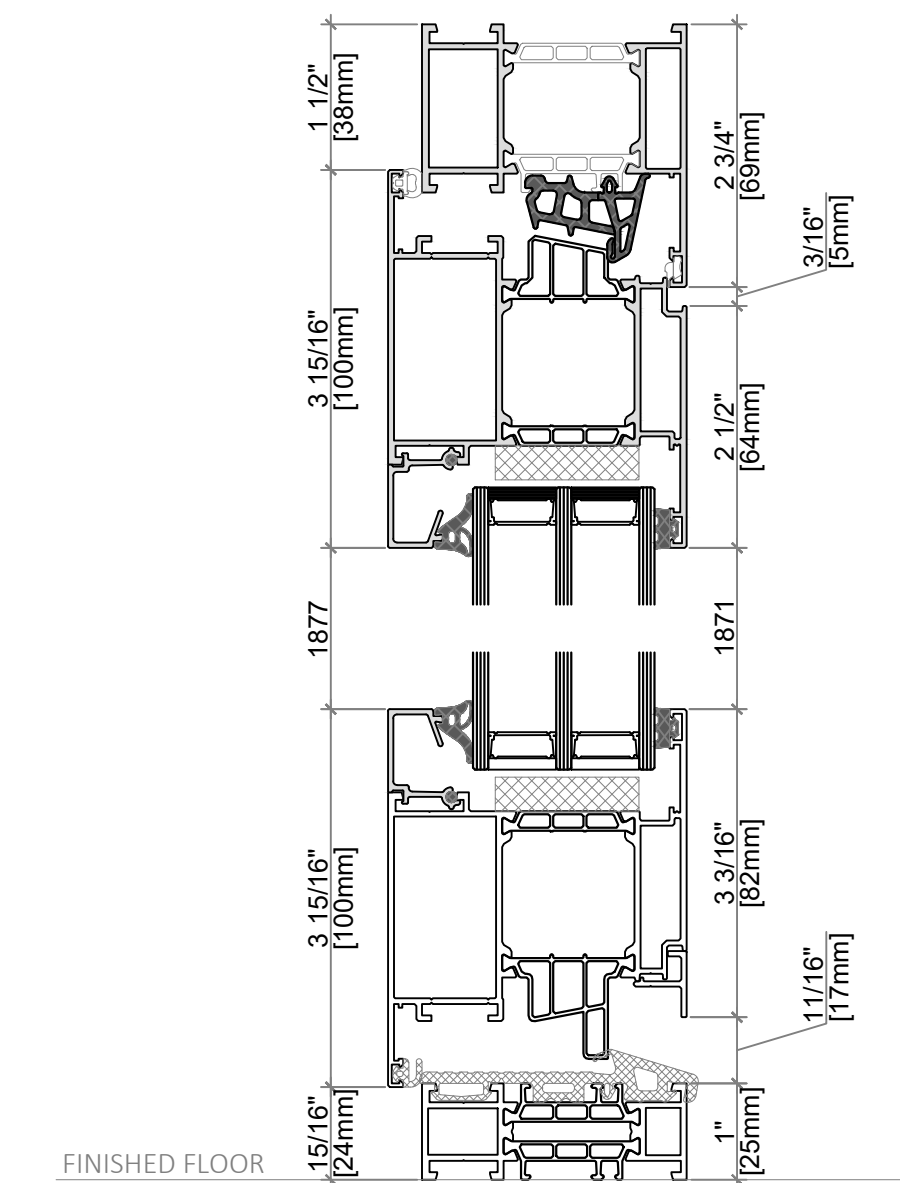
ALUPROF 79mm Product Guide

Alu79; Optional - Single Patio Door - Inswing

Exterior View



Vertical Cross Section



INT. ② EXT.

NOTES:

Frame System:
Aluprof MB-79N ST

Fitting Type:
Patio Door

Profile views (outside):
Jamb: K520012 (69.5 mm), K520200 (25.5 mm)
Window Vent: K520104 (64 mm), K520108 (64 mm)

Color:
Interior: Anthracite Grey
Finish: Matte

Exterior: Anthracite Grey
Finish: Matte

Glazing:
ESG 4T1.0/18 Ar/ESG 4/18 Ar/ESG 4T1.0
(Tempered)
Ug - .08 [Btu/(H Sq Ft °F)]
Spacer: Warm Edge Black (RAL9004)
SHGC - .38
STC - 33

U Factor:
0.17 [Btu/(H Sq Ft °F)]

Touch Bar:
No

Handle:
FKS 35A/1200

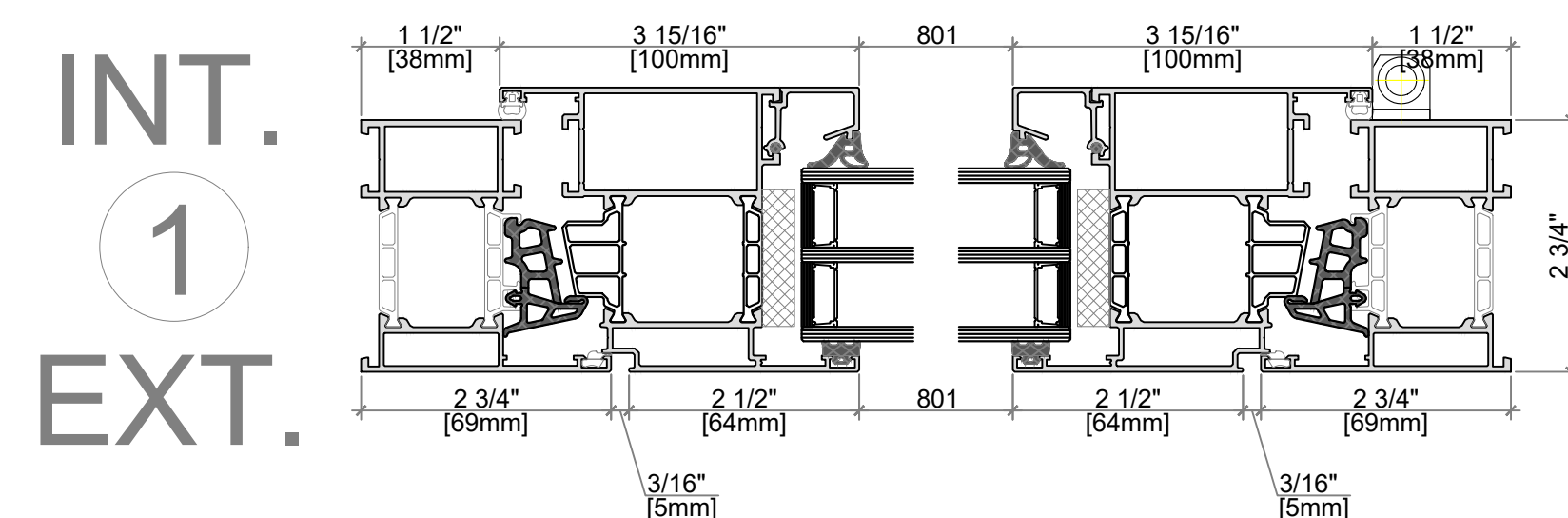
Door Closer:
No

Hinges:
Inside and Out with Keyed Exterior and Interior
Thumb Lock

Weight:
163 lbs

Note:
Available In Double & Triple Glazed.

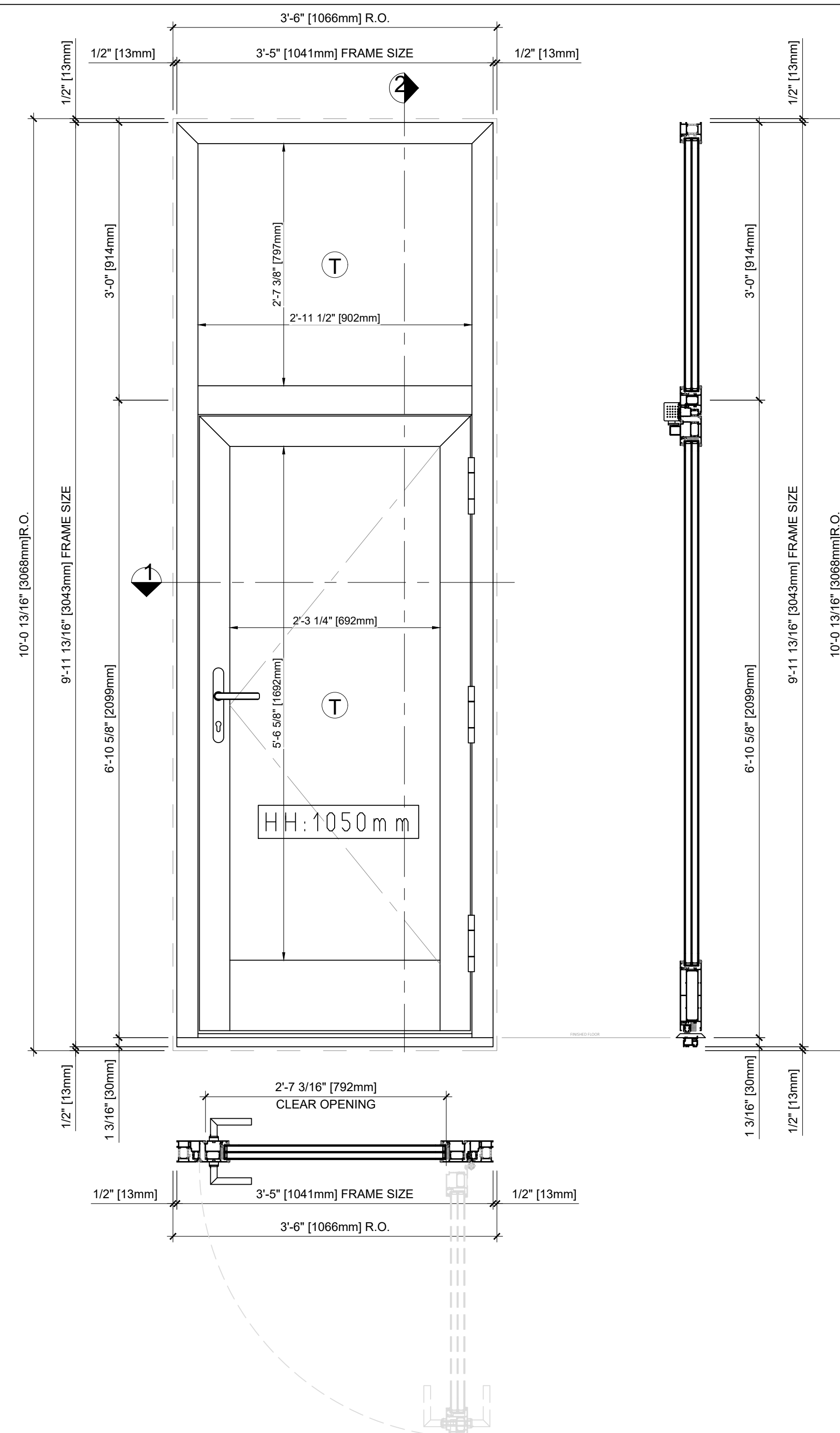
Horizontal Cross Section



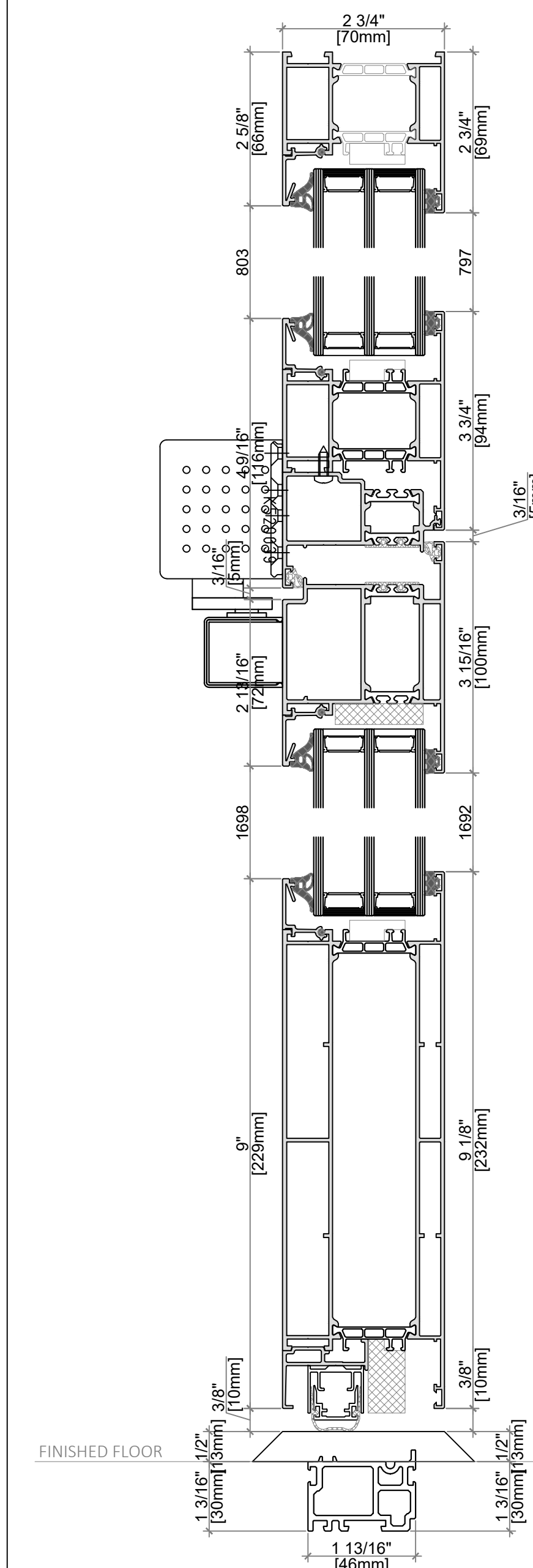
ALUPROF 79mm Product Guide

Alu79; Optional - MB79N - Residential Single Entry Door With ADA Threshold - Outswing

Exterior View



Vertical Cross Section



NOTES:

Frame System:
Aluprof MB-79N ST

Fitting Type:
Entry Door - Out Swing

Hardware Group: 1

Profile views (outside):
Jamb: K520012 (69.5 mm)
Bottom Rail: K520059 (232 mm)
Intermediate: K520052_1130 (94.5 mm)
Door Leaf: K520147 (100 mm)

Color:
Interior: Anthracite Grey
Finish: Matte

Exterior: Anthracite Grey
Finish: Matte

Glazing:
ESG 4T1.0/18 Ar/ESG 4/18 Ar/ESG 4T1.0
(Tempered)
Ug - .08 [Btu/(H Sq Ft °F)]
Spacer: Warm Edge Black (RAL9004)
SHGC - .38
STC - 33

U Factor:
0.21 [Btu/(H Sq Ft °F)]

Touch Bar: No

Levers:
Yes, Interior & Exterior, FKS 35A/1200,
Stainless Steel

Door Closer:
Yes, Dorma, Silver, Surface Mounted

Hinges:
WALA - Roller Hinges - Stainless Steel

Weight:
220 lbs

Auto Operator Pre: No

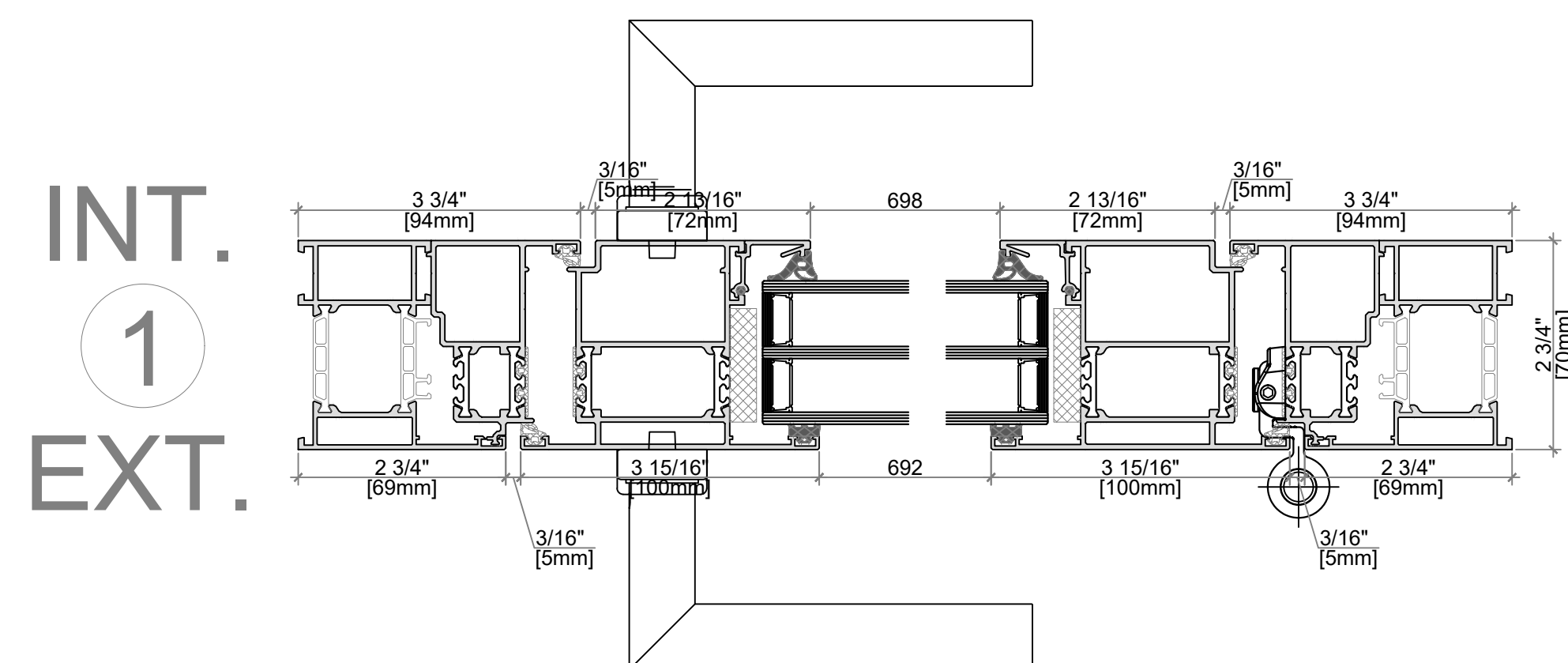
Threshold: ADA - Nylontron with Plastic Sub
Threshold and Steel Insert

Latches: WILKA Multi Point, Anti Panic

Locking: WILKA w/ Mortise Lock, Euro-Style
Lock Core

Note:
Available In Double & Triple Glazed.

Horizontal Cross Section

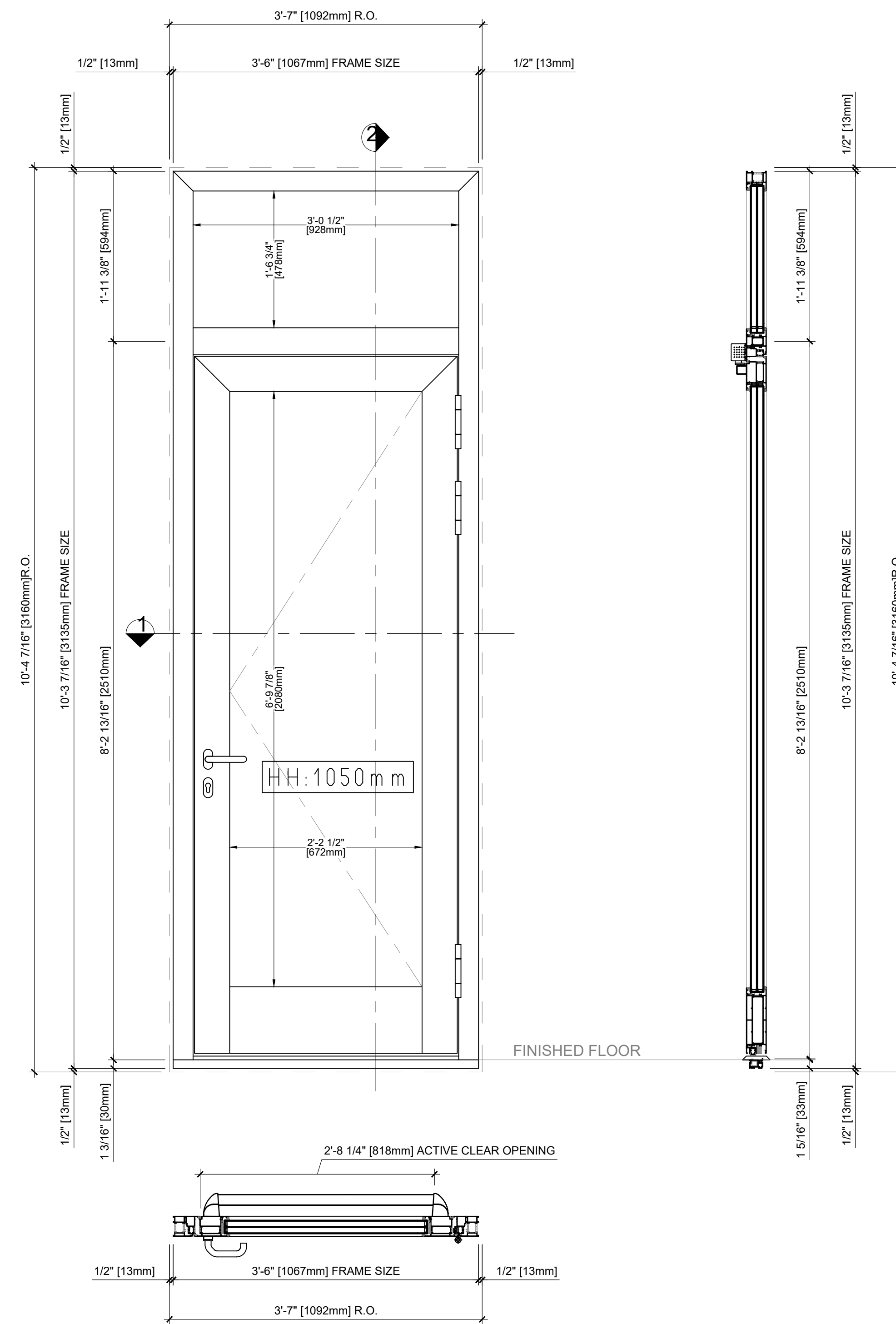


INT. 2 EXT.

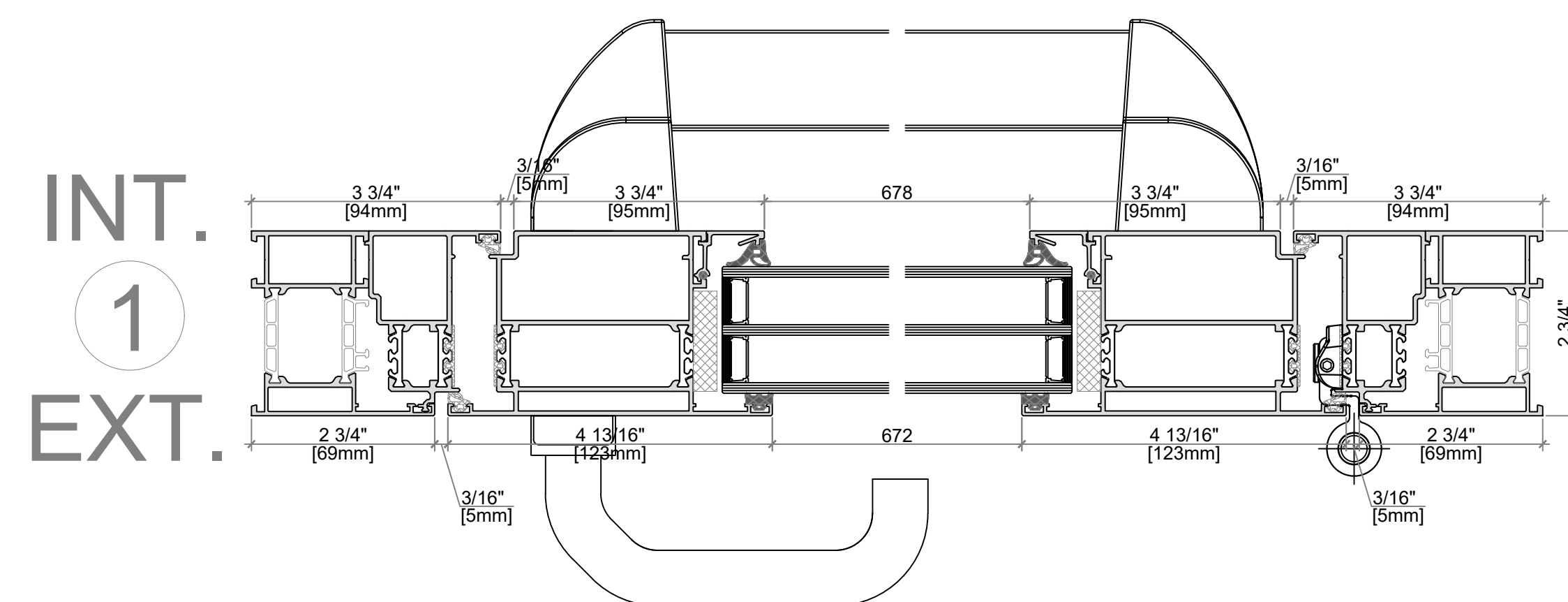
ALUPROF 79mm Product Guide

Alu79; Optional - Single Egress Door With ADA Threshold - Outswing

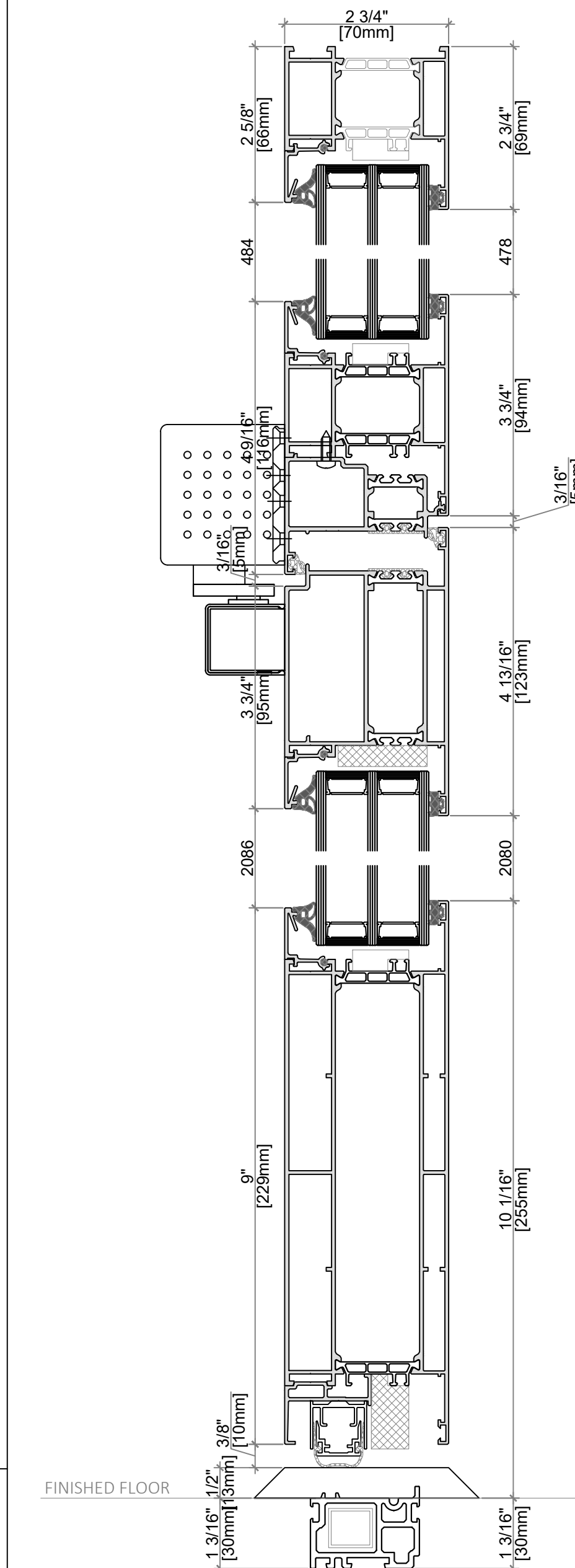
Exterior View



Horizontal Cross Section



Vertical Cross Section



INT. 2 EXT.

NOTES:

Frame System:
Aluprof MB-79N

Fitting Type:
Entry/Single Door - Outswing

Color:
Interior: Black (RAL 9005)
Finish: Matte

Exterior: Black (RAL 9005)
Finish: Matte

Glazing:
4T/18 Ar/4/18 Ar/ 4T - Tempered
Ug - .08 [Btu/(H Sq Ft °F)]
Spacer: Warm Edge Black (RAL9004)
SHGC - .38
STC - 33

Handle:
No

Hinges:
3 pt WALA Roller - Stainless Steel

Touch Bar:
Yes, Interior - Eco EPN2000 II - Stainless Steel

Levels:
Yes, Exterior FKS35A/1200 - Stainless Steel

Operator Prep:
No

Door Closer:
Yes - Dorma TS93 B - Black

Threshold:
Nylatron ADA with subthreshold - black

Locking:
Key/Key

Electric Strike:
No

U Factor:
0.22 [Btu/(H Sq Ft °F)]

Weight:
231 lbs

Shipping:
De-glazed

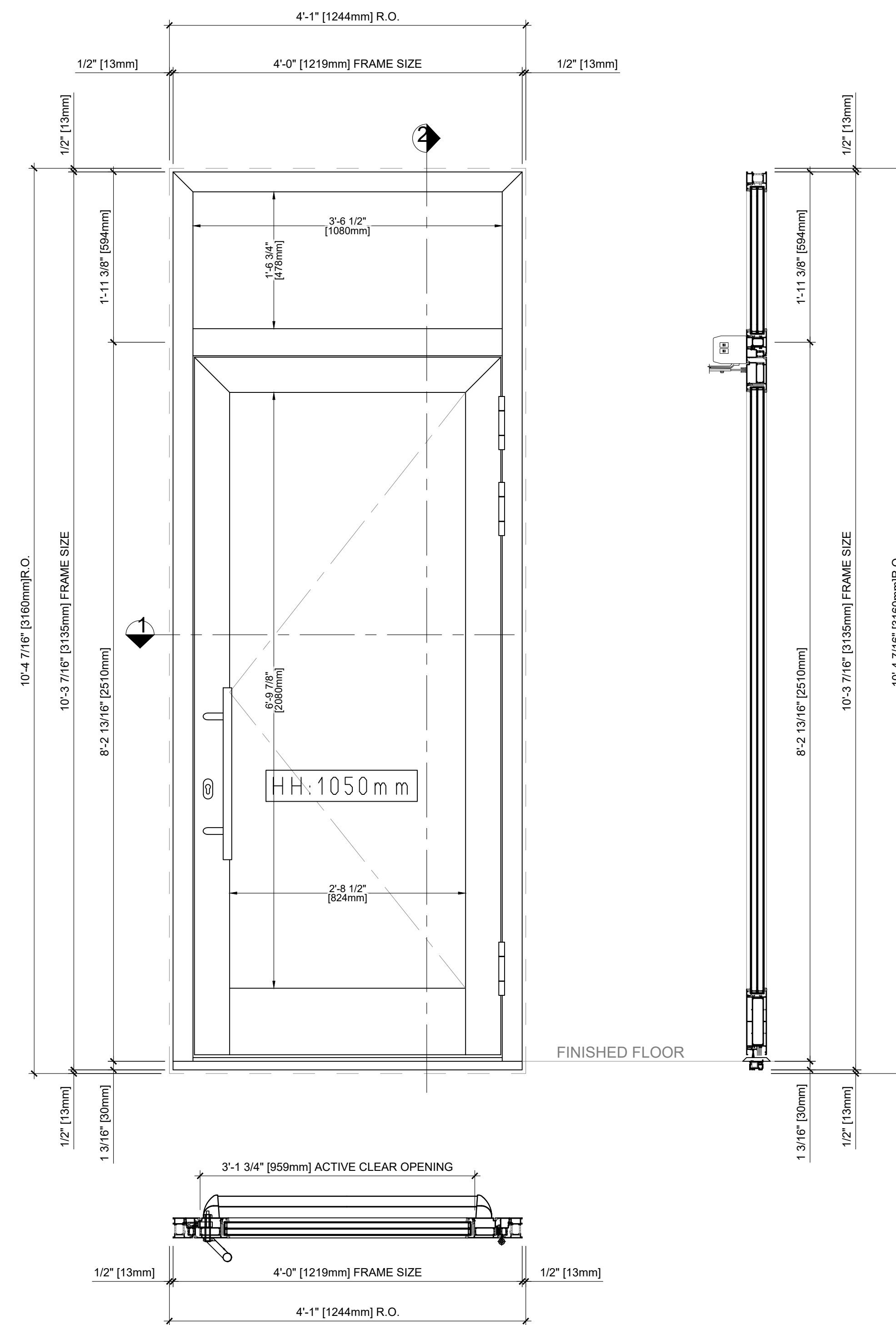
Note:
Available In Double & Triple Glazed.

Note:
Bottom Rail Raised 10mm Off AFF

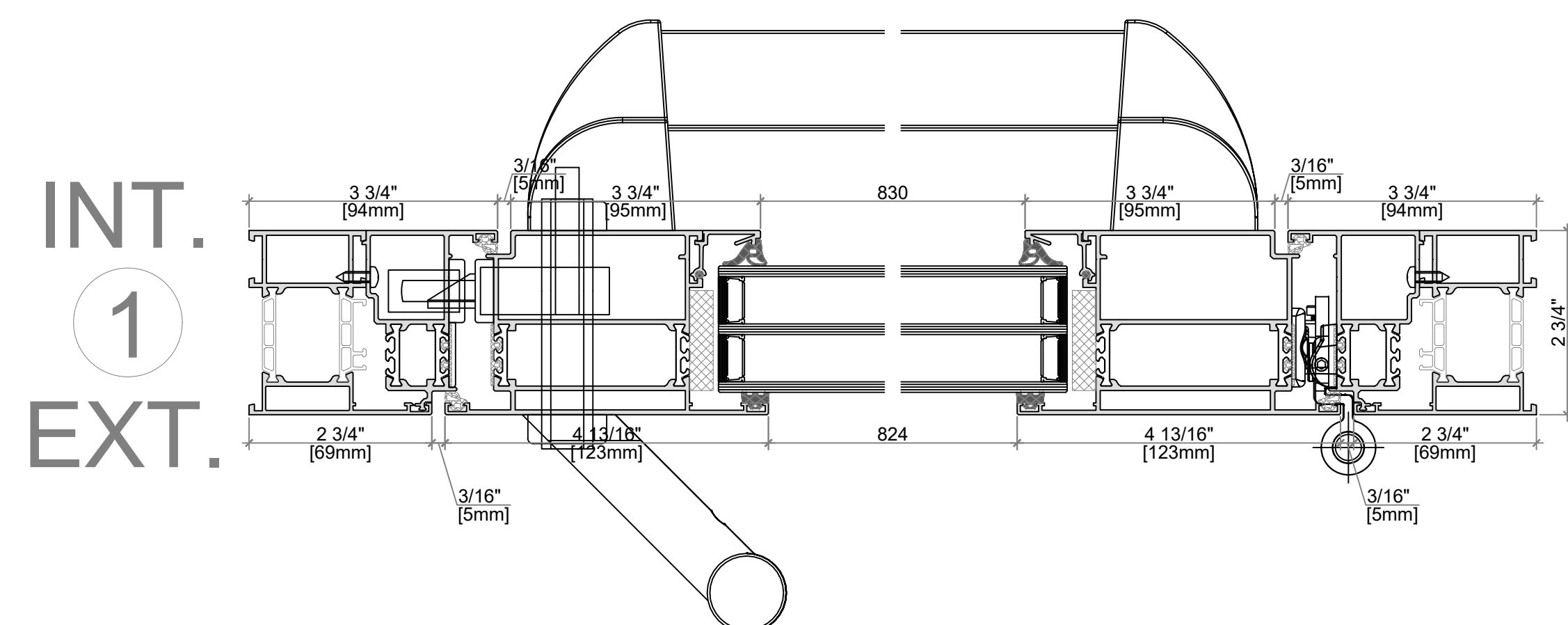
ALUPROF 79mm Product Guide

Alu79; Optional - MB79N - Residential Commercial Single Entry Door With ADA Threshold - Outswing

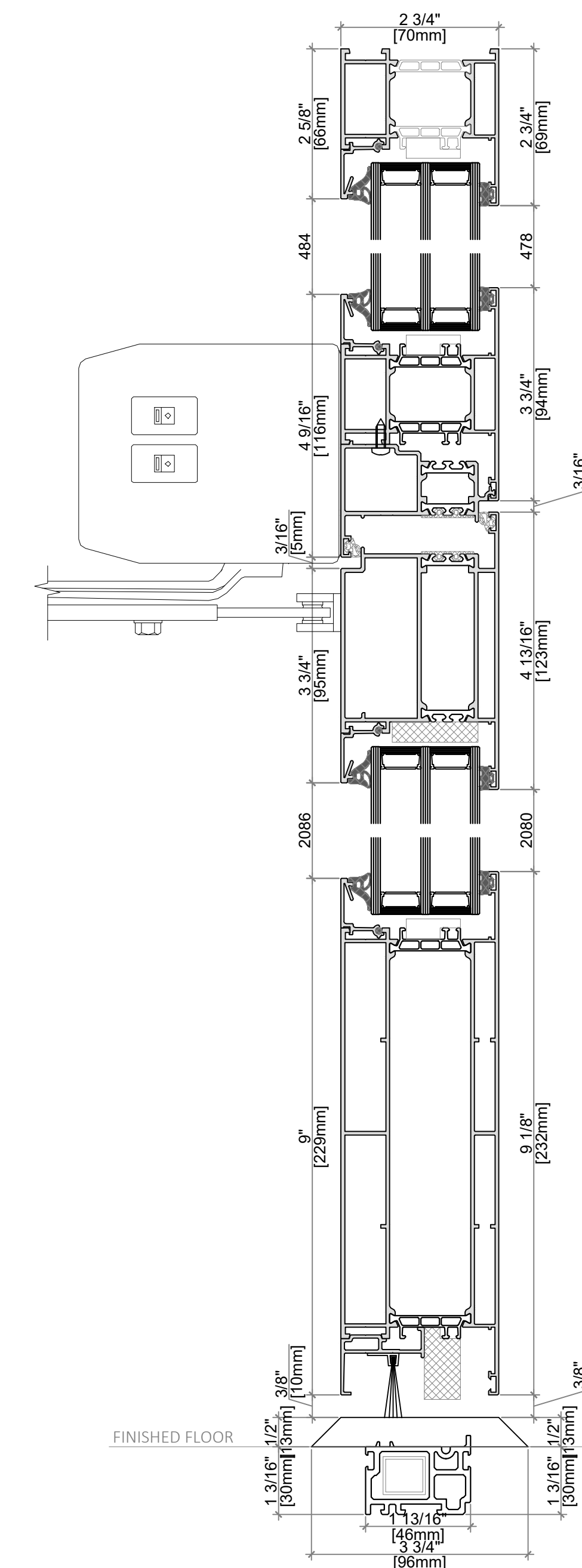
Exterior View



Horizontal Cross Section



Vertical Cross Section



NOTES:

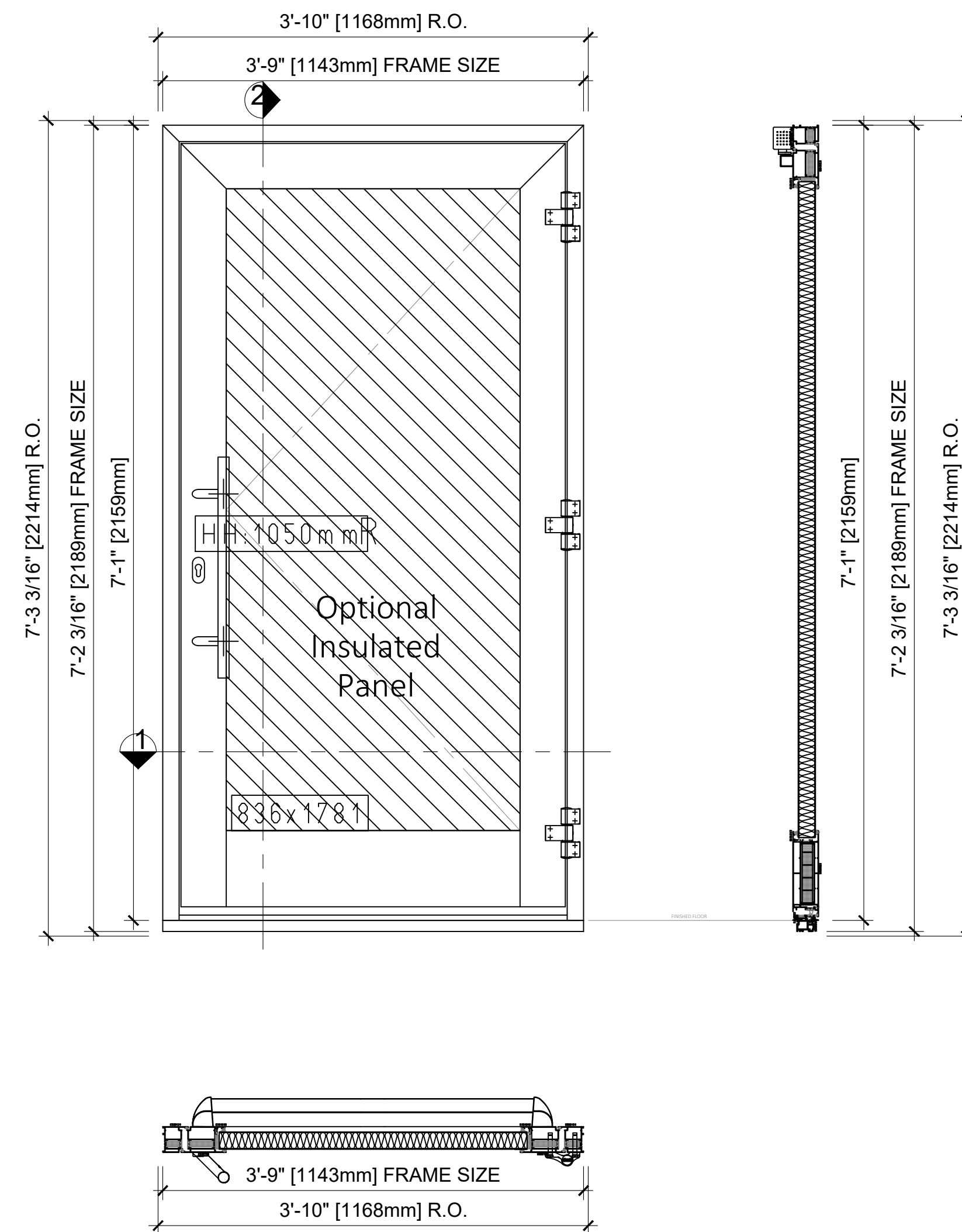
- Frame System:**
Aluprof MB-79N
- Fitting Type:**
Entry/Single Door - outswing
- Color:**
Interior: Black (RAL 9005)
Finish: Matte
- Exterior:** Black (RAL 9005)
Finish: Matte
- Glazing:**
4T/18 Ar/4/18 Ar/ 4T - Tempered
Ug - .08 [Btu/(H Sq Ft °F)]
Spacer: Warm Edge Black (RAL9004)
SHGC - .38
STC - 33
- Handle:**
WALA P45 600mm exterior - Stainless Steel
- Hinges:**
WALA Roller - Stainless Steel
- Touch Bar:**
Yes, Interior - Eco EPN2000 II - Stainless Steel
- Levers:**
No
- Operator Prep:**
Yes, but provided by others
LCN4640 Automatic Opener
- Door Closer:**
No
- Threshold:**
Nylatron ADA with subthreshold - black
- Locking:**
Key/key
- Electric Strike:**
Yes
- U Factor:**
0.21 [Btu/(H Sq Ft °F)]
- Weight:** 262 lbs
- Shipping:** De-glazed

Note:
Available In Double & Triple Glazed.

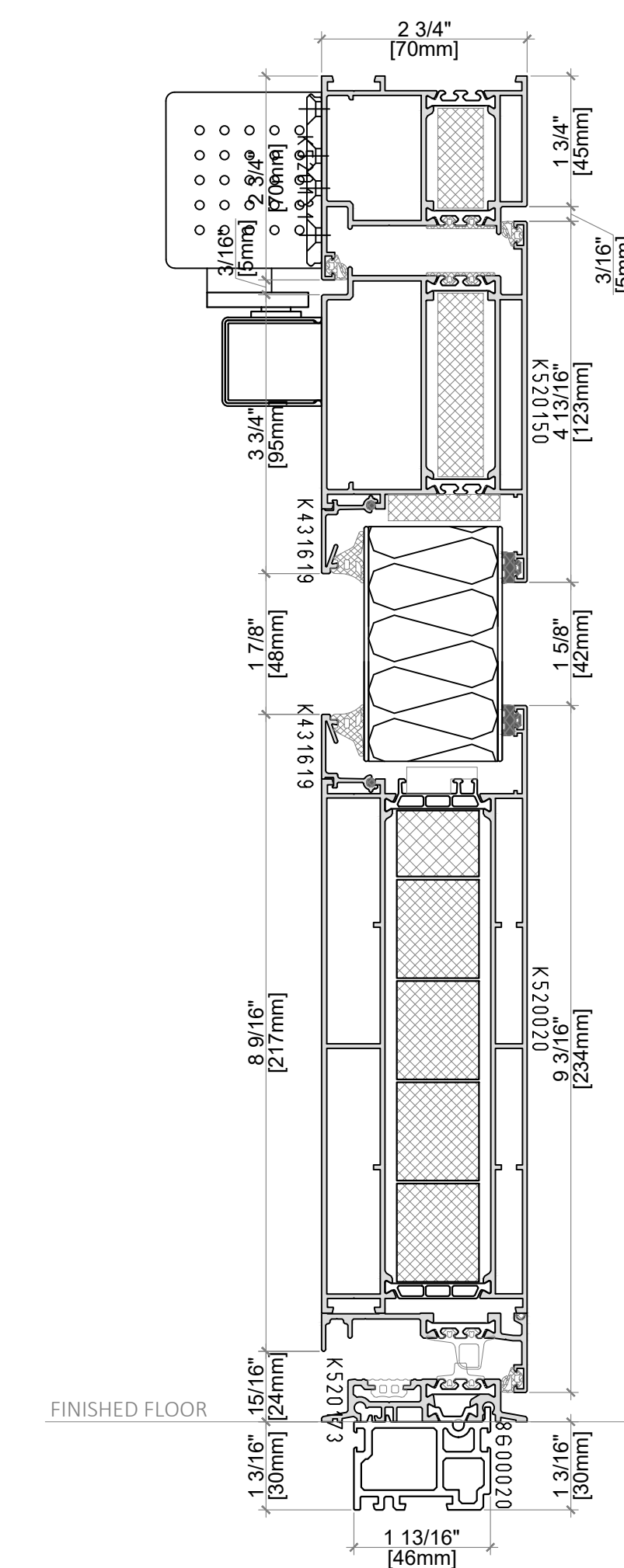
ALUPROF 79mm Product Guide

Alu79; Optional - Commercial Egress Door - Non ADA - Outswing

Exterior View



Vertical Cross Section



NOTES:

Frame System:
Aluprof MB-79N SI

Fitting Type:
Entry Door Non ADA - Out Swing

Color:
Interior: Grey Brown (RAL 8019)
Finish: Matte

Exterior: Grey Brown (RAL 8019)
Finish: Matte

Glazing:
1 x Panel 1.5 Alu gr. 47mm

U Factor:
0.123 [Btu/(H Sq Ft °F)]

Auto Operator Prep: No

Touch Bar: Yes, ECO Schulte - Stainless Steel

Hinges:
Surface Mounted, WALA MX/WX Stainless Steel
Lock, Right Side

Threshold:
Standard w/ Sub Threshold

Bottom Lick Plate:
No

Electric Strike: No

Latches: Yes, Multi Point w/ Anti Panic

Door Closer: Yes, Doma, TS93 B (EN 2-5) 01 Silver

Lever: No

Bottom Rail: Raised 10" off AFF

Handle:
Pull Handle, WALA P45 600mm, Exterior -
Stainless Steel

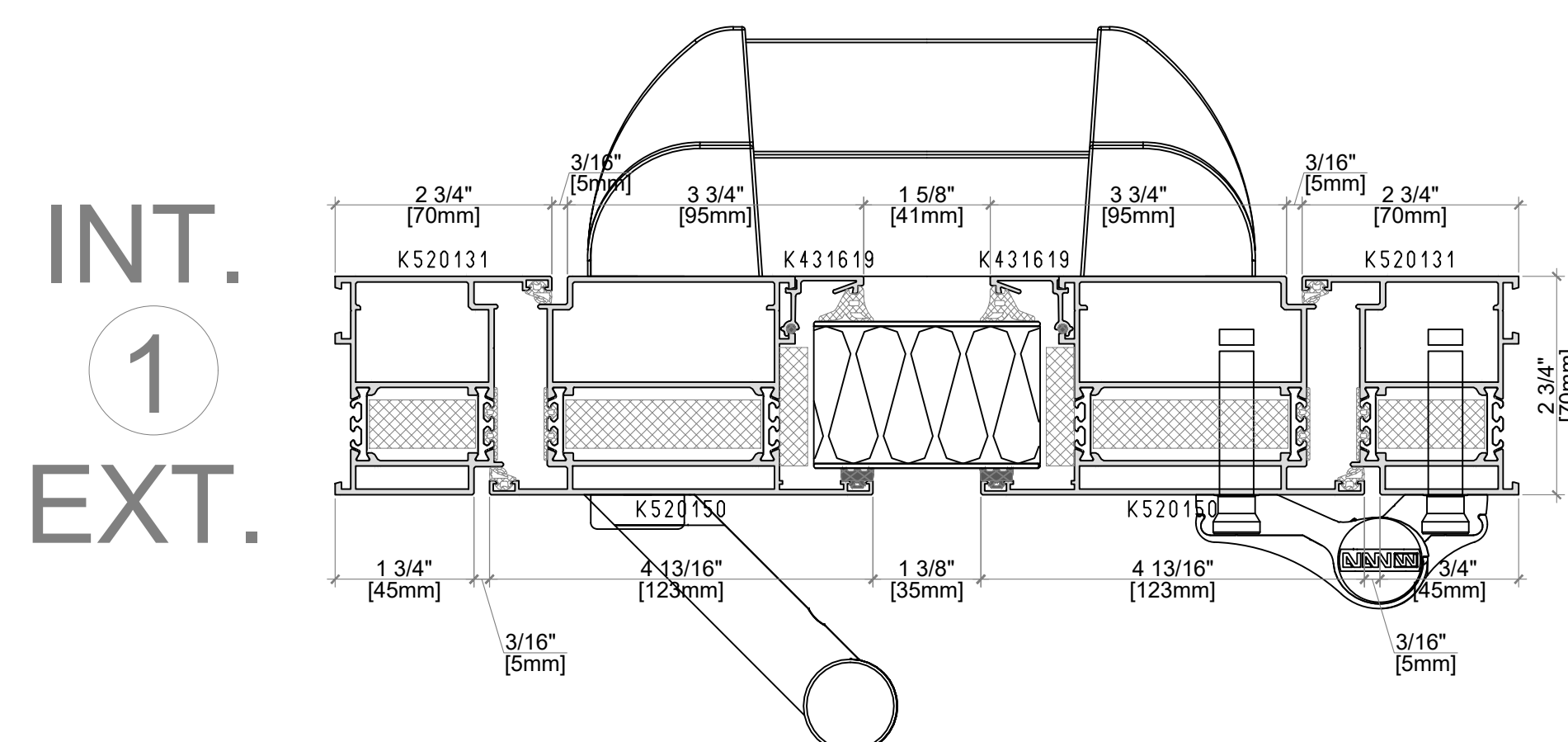
Locking: WILKA W/ Mortise Lock, Euro-Style
Lock Core

Weight:
103 lbs

Note:
Available In Double & Triple Glazed.

INT. 2 EXT.

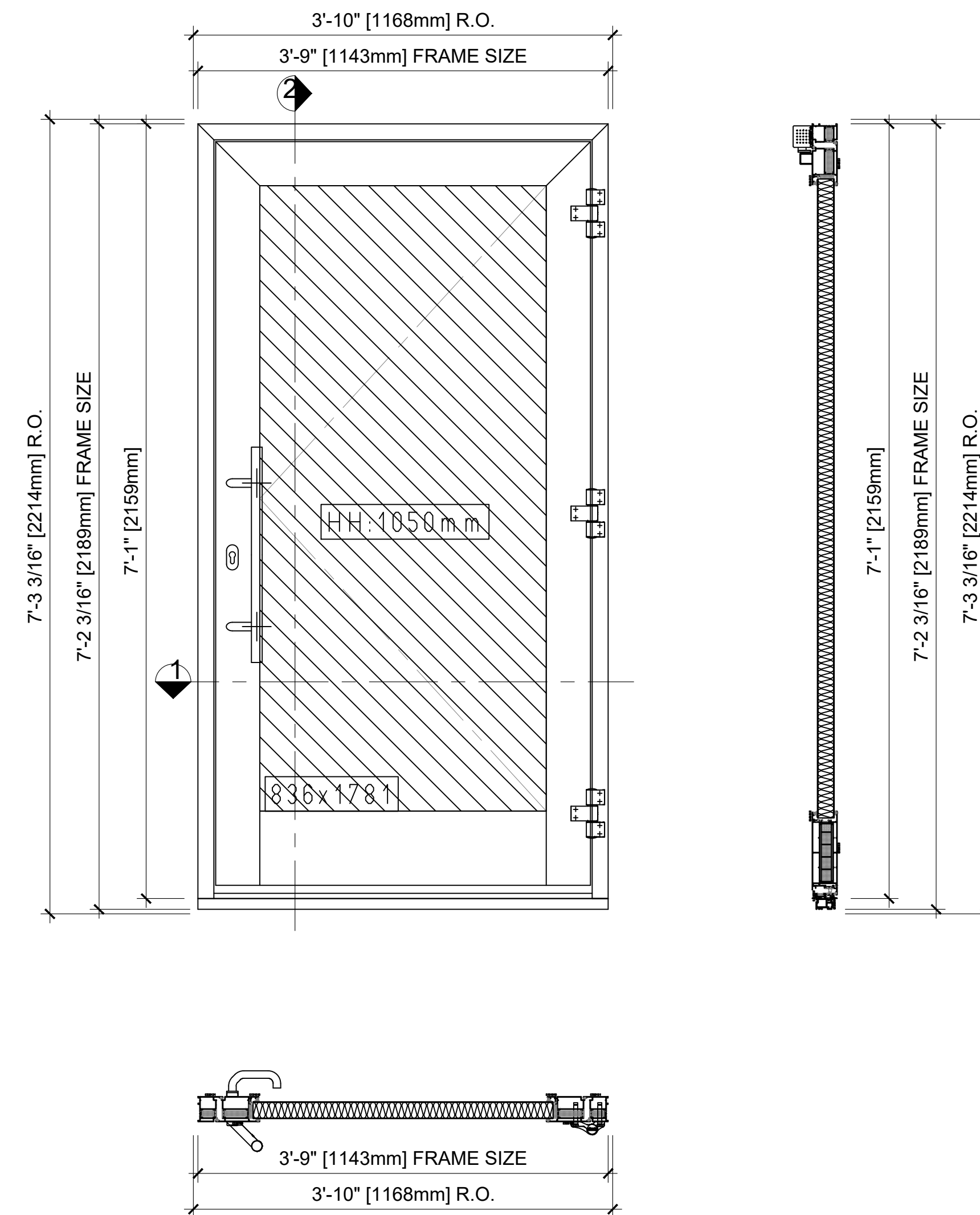
Horizontal Cross Section



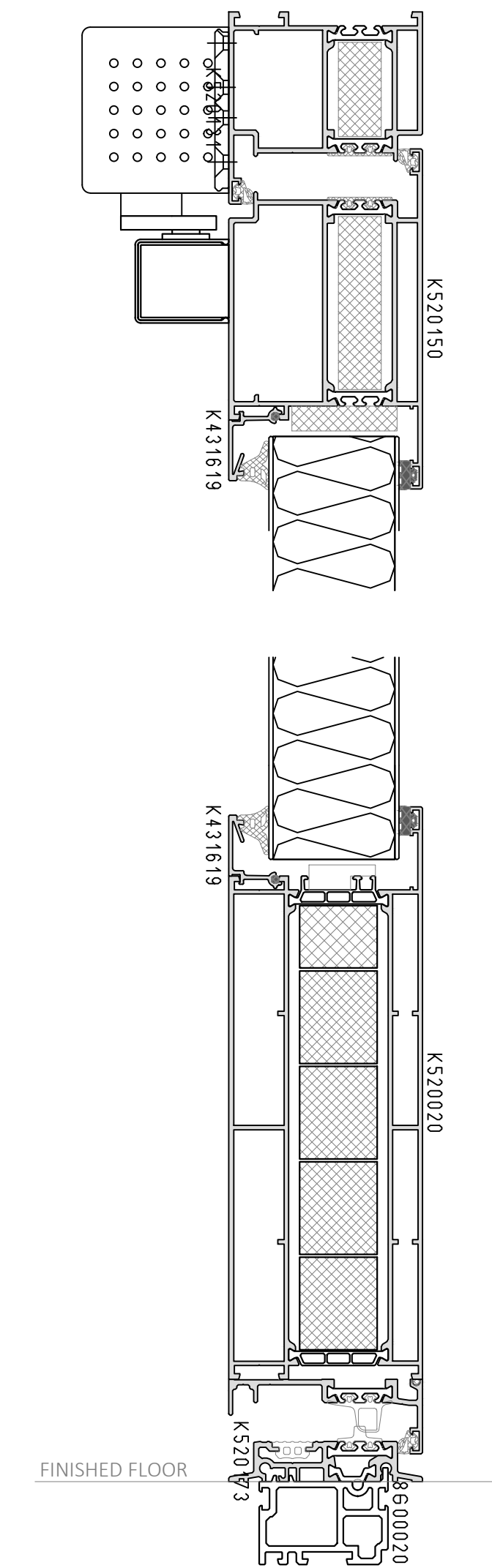
ALUPROF 79mm Product Guide

Alu79; Optional - Commercial Egress Door - Non ADA - Outswing

Exterior View



Vertical Cross Section



NOTES:

Frame System:
Aluprof MB-79N SI

Fitting Type:
Entry Door Non ADA - Out Swing

Color:
Interior: Grey Brown (RAL 8019)
Finish: Matte

Exterior: Grey Brown (RAL 8019)
Finish: Matte

Glazing:
1 x Panel 1.5 Alu gr. 47mm

U Factor:
0.123 [Btu/(H Sq Ft °F)]

Auto Operator Prep: No

Touch Bar: Yes, ECO Schulte - Stainless Steel

Hinges:
Surface Mounted, WALA MX/WX Stainless Steel
Lock, Right Side

Threshold:
Standard w/ Sub Threshold

Bottom Lick Plate:
No

Electric Strike: No

Latches: Yes, Multi Point w/ Anti Panic

Door Closer: Yes, Doma, TS93 B (EN 2-5) 01 Silver

Lever: FKS35A/1200 - Stainless Steel - Interior

Bottom Rail: Raised 10" off AFF

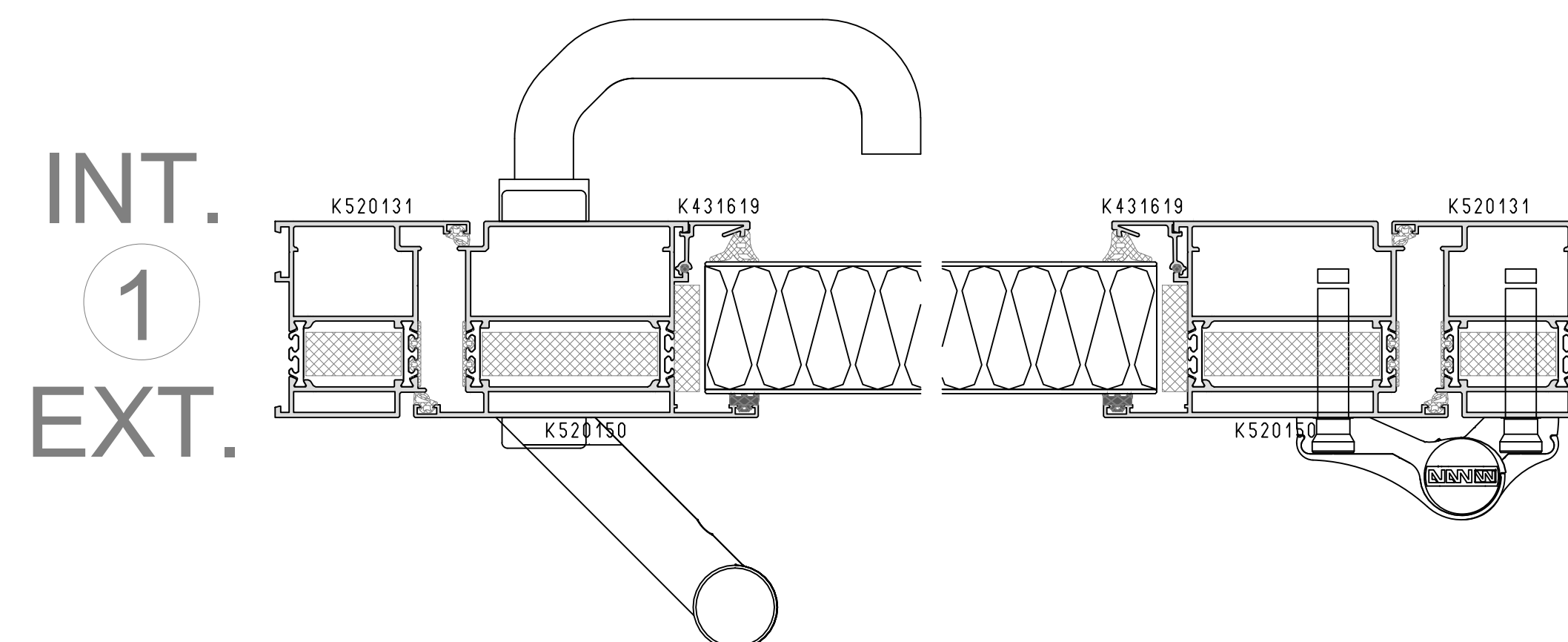
Handle:
Pull Handle, WALA P45 600mm, Exterior -
Stainless Steel

Locking: WILKA W/ Mortise Lock, Euro-Style
Lock Core

Weight:
103 lbs

Note:
Available in Double & Triple Glazed.

Horizontal Cross Section



INT. 2 EXT.

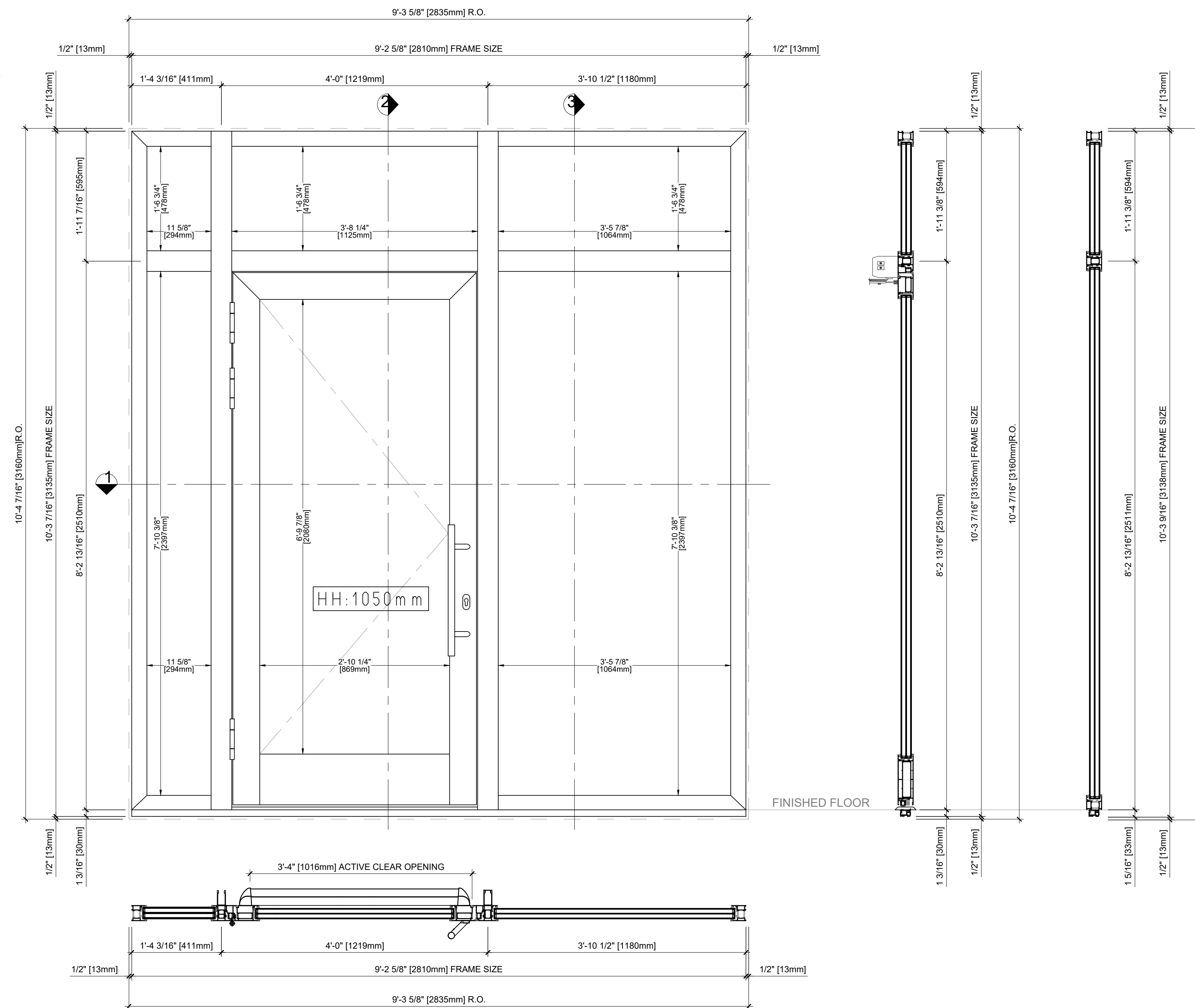
ALUPROF 79mm Product Guide

Alu79; Optional - Residential Commercial Entry Door With ADA Threshold - Outswing

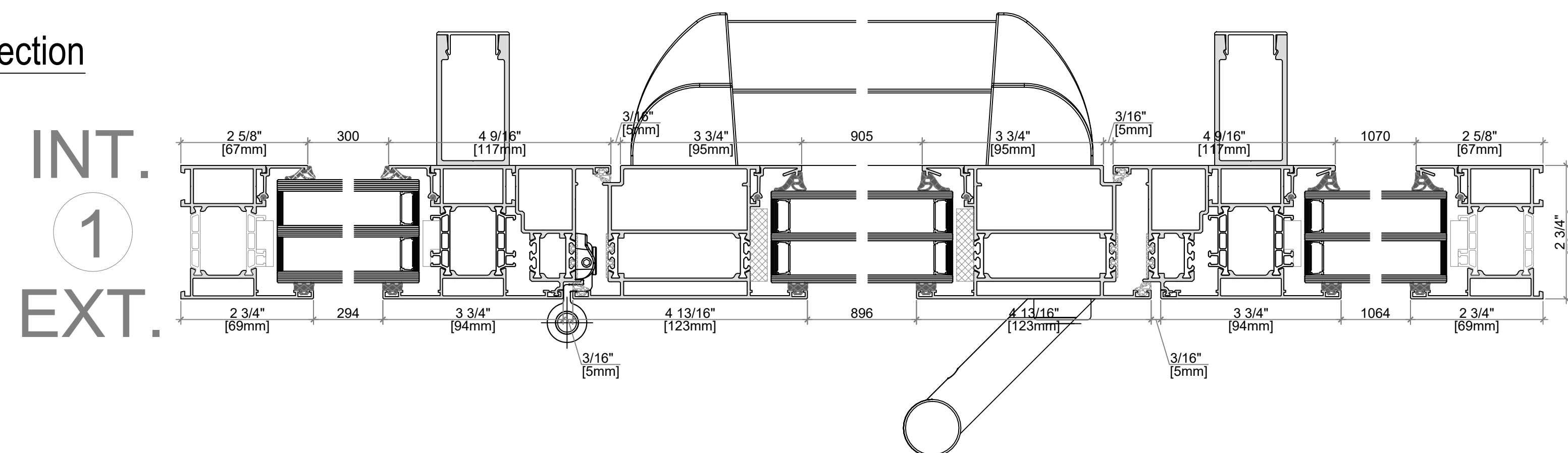
A M B E R L I N E

HIGH PERFORMANCE WINDOWS AND DOORS

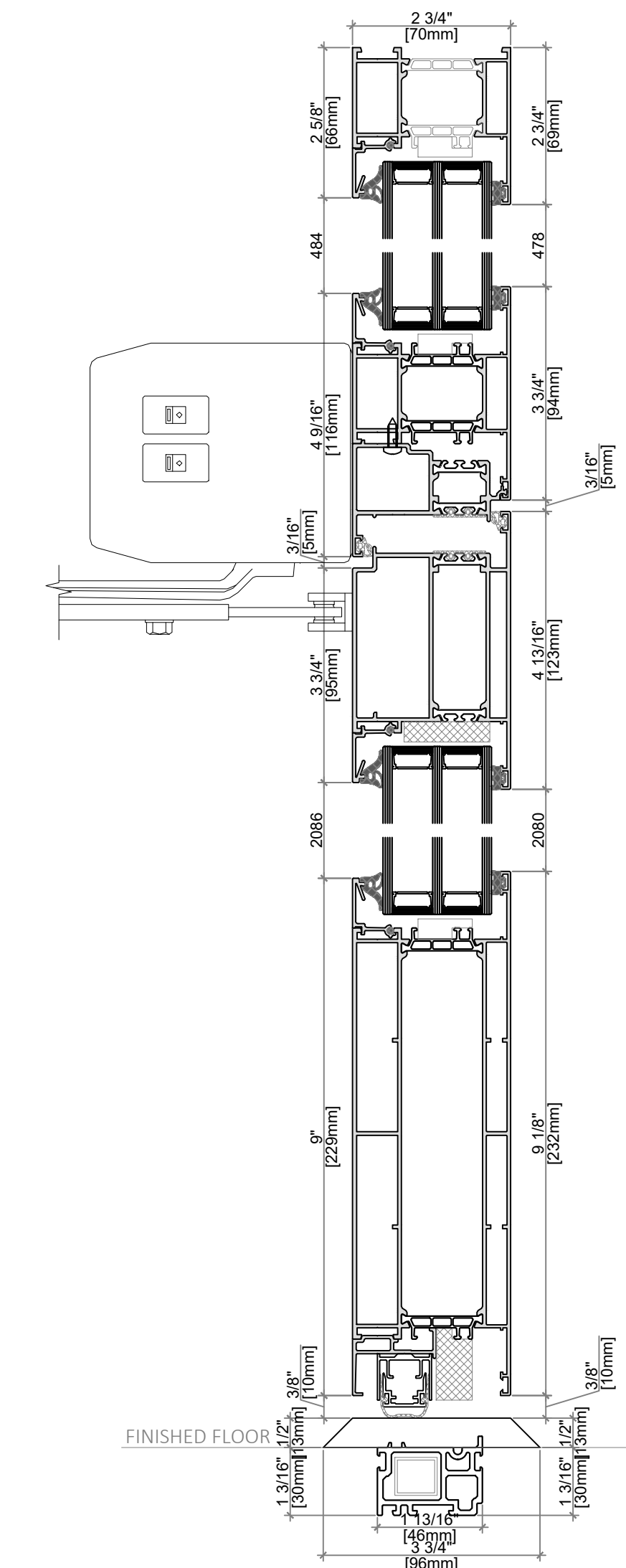
Exterior View



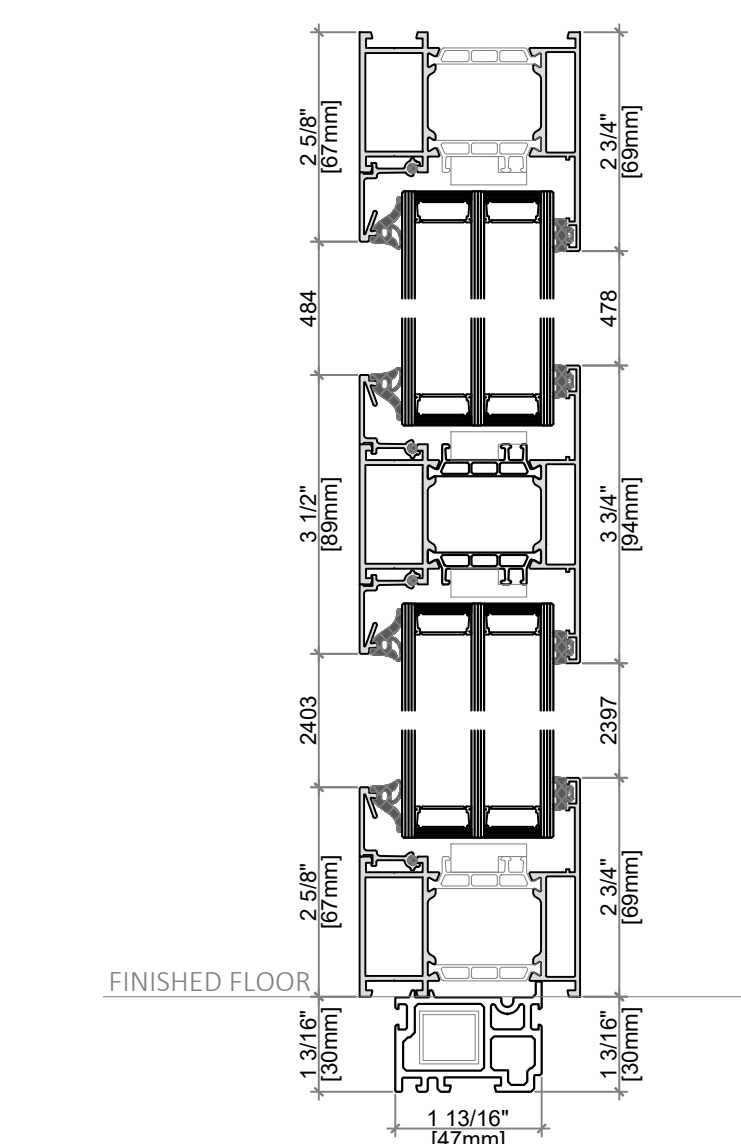
Horizontal Cross Section



Vertical Cross Section



INT. 2 EXT.



INT. 3 EXT.

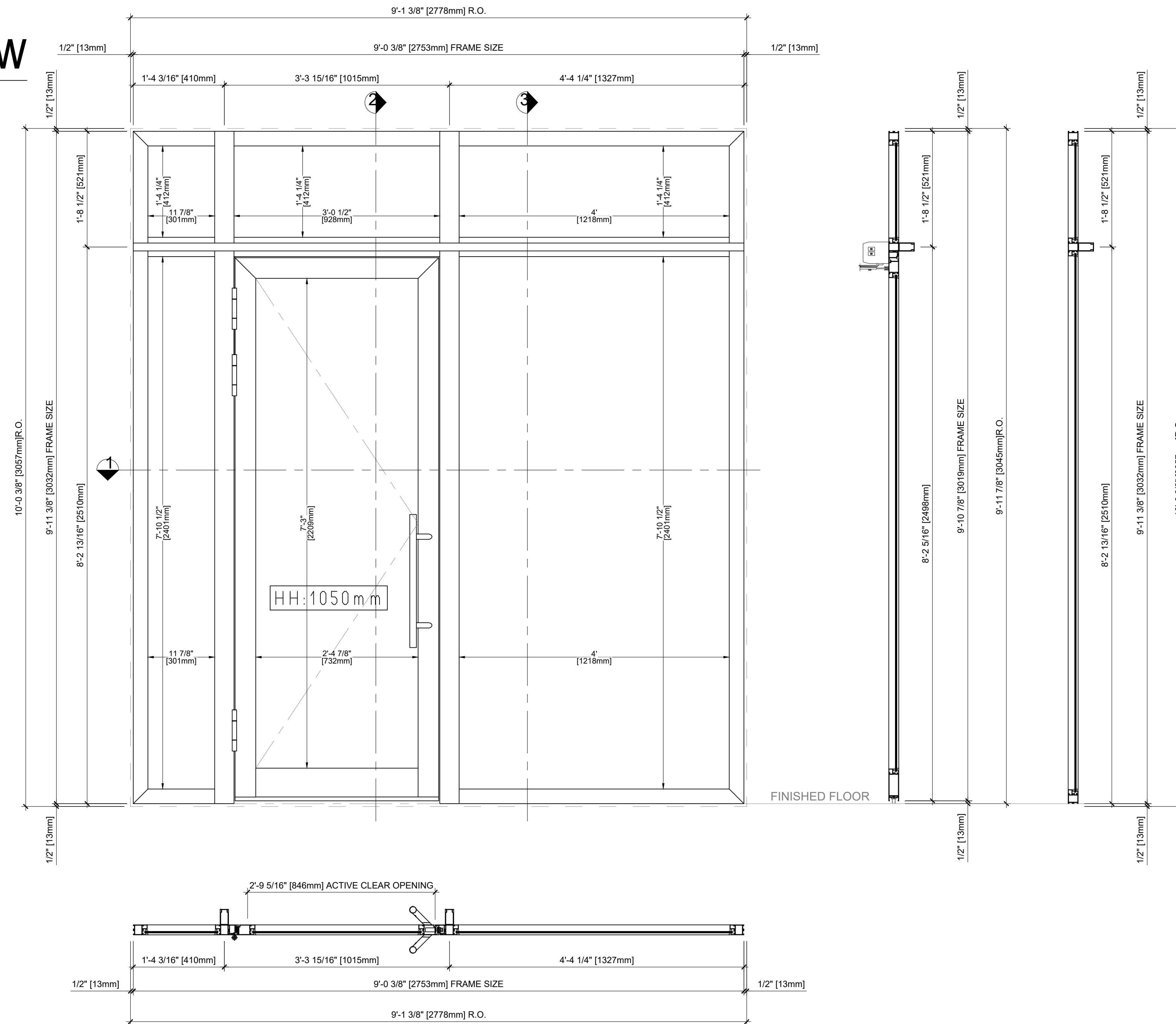
NOTES:

- Frame System:** Aluprof MB-79N
 - Fitting Type:** Entry/Single Door - Outswing
 - Color:** Interior: Black (RAL 9005) Finish: Matte
Exterior: Black (RAL 9005) Finish: Matte
 - Glazing:** 4T/18 Ar/4/18 Ar/ 4T - Tempered
Ug - .08 [Btu/(H Sq Ft °F)]
Spacer: Warm Edge Black (RAL9004)
SHGC - .38
STC - 33
 - Handle:** WALA P45 600mm - exterior - Stainless Steel
 - Hinges:** WALA Roller - Stainless Steel
 - Touch Bar:** Yes, Interior - Eco EPN2000 II - Stainless Steel
 - Levers:** No
 - Operator Prep:** Yes, but provided by others
LCN4640 Automatic Opener
 - Door Closer:** No
 - Bottom Rail:** Raised 10" off AFF
 - Threshold:** Nylatron ADA with subthreshold - black
 - Locking:** Key/Key
 - Electric Strike:** Yes
 - U Factor:** 0.18 [Btu/(H Sq Ft °F)]
 - Weight:** 649 lbs
 - Shipping:** De-glazed
- Note:**
Available In Double & Triple Glazed.

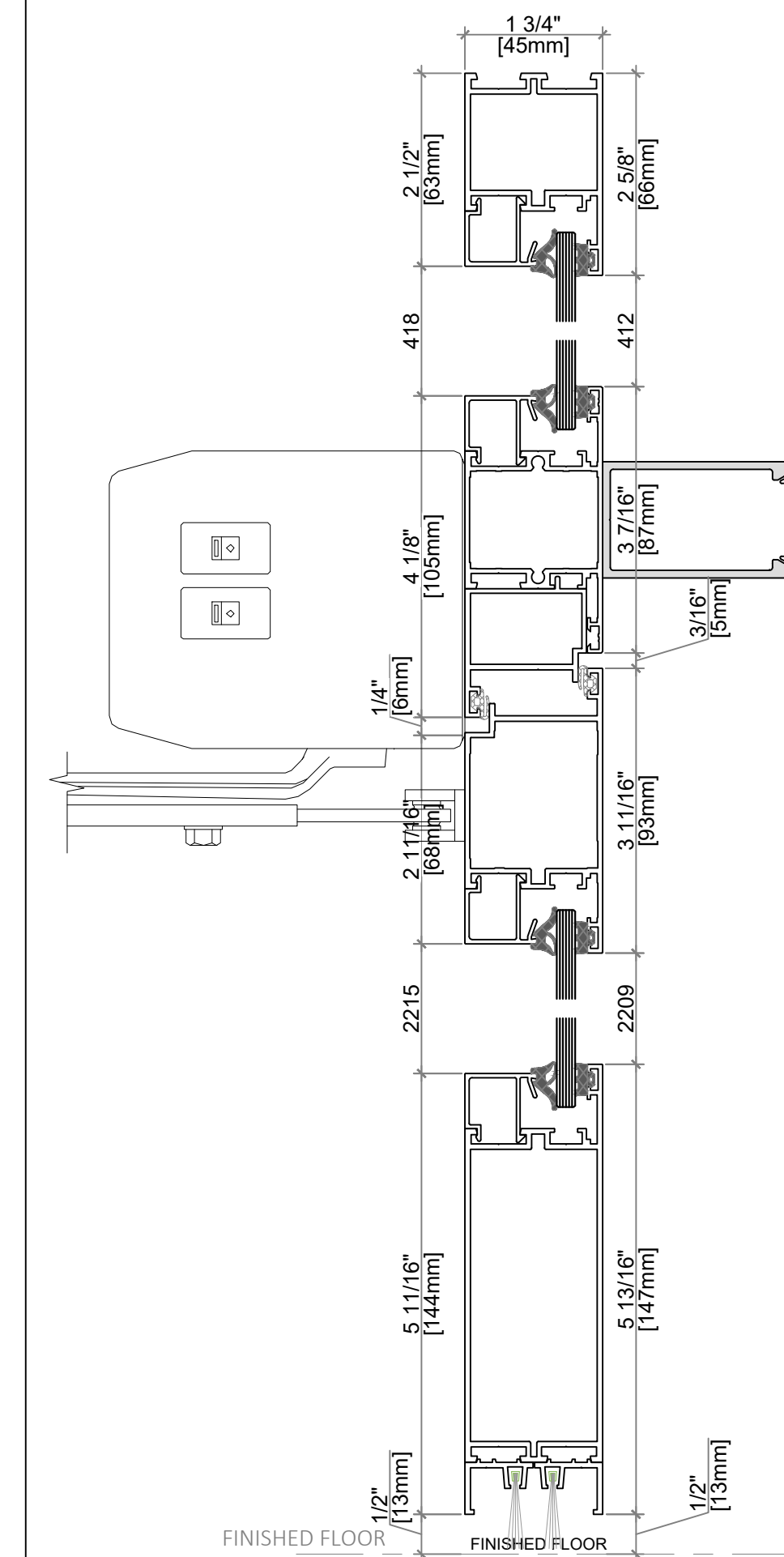
ALUPROF 79mm Product Guide

Alu79; Optional - Single Door Storefront - Outswing

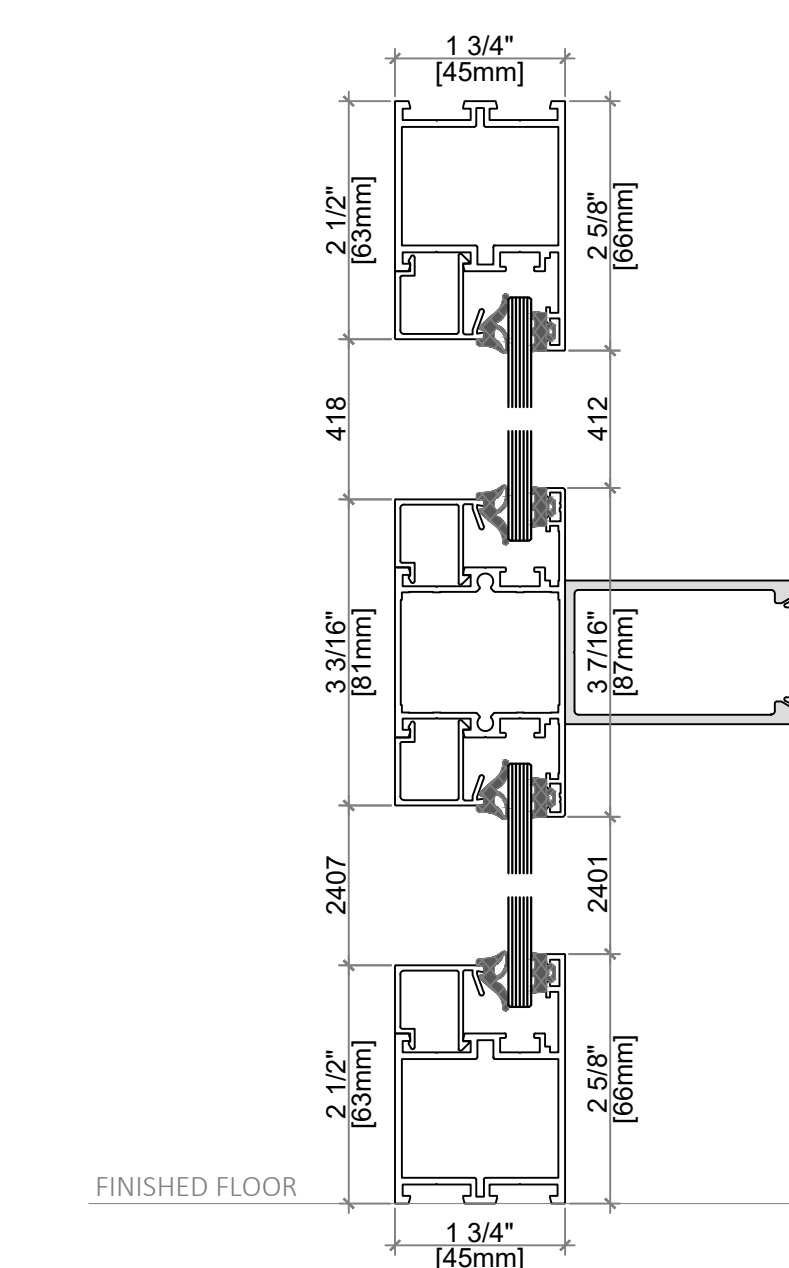
Exterior View



Vertical Cross Section



INT. 2 EXT.



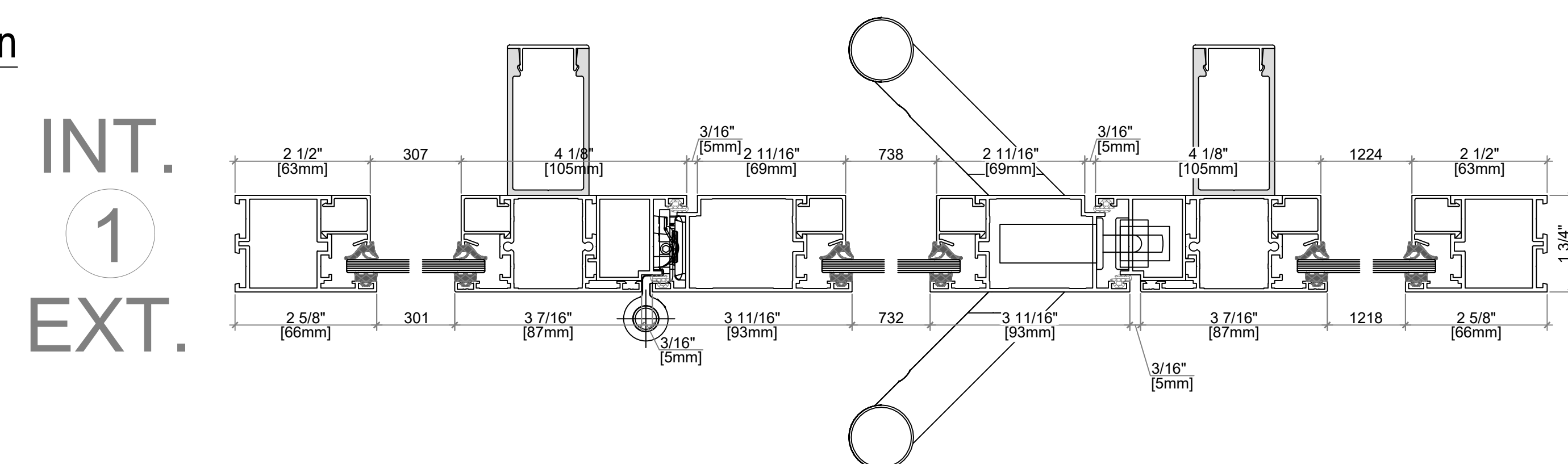
INT. 3 EXT.

NOTES:

- Frame System:**
Aluprof MB-45
- Fitting Type:**
Single Door/Storefront - outswing
- Color:**
Interior: Black (RAL 9005)
Finish: Matte
- Exterior:** Black (RAL 9005)
Finish: Matte
- Glazing:**
N/A interior door
- Handle:**
WALA P45 600mm int./ext.
- Hinges:**
WALA Roller - Stainless Steel
- Touch Bar:**
No
- Latches:**
WILKA roller latch & deadbolt lock
- Levers:**
No
- Operator Prep:**
Yes, but provided by others
LCN4640 Automatic Opener
- Door Closer:**
No
- U Factor:**
N/A
- Weight:**
345 lbs
- Shipping:**
De-glazed

Note:
Available In Double & Triple Glazed.

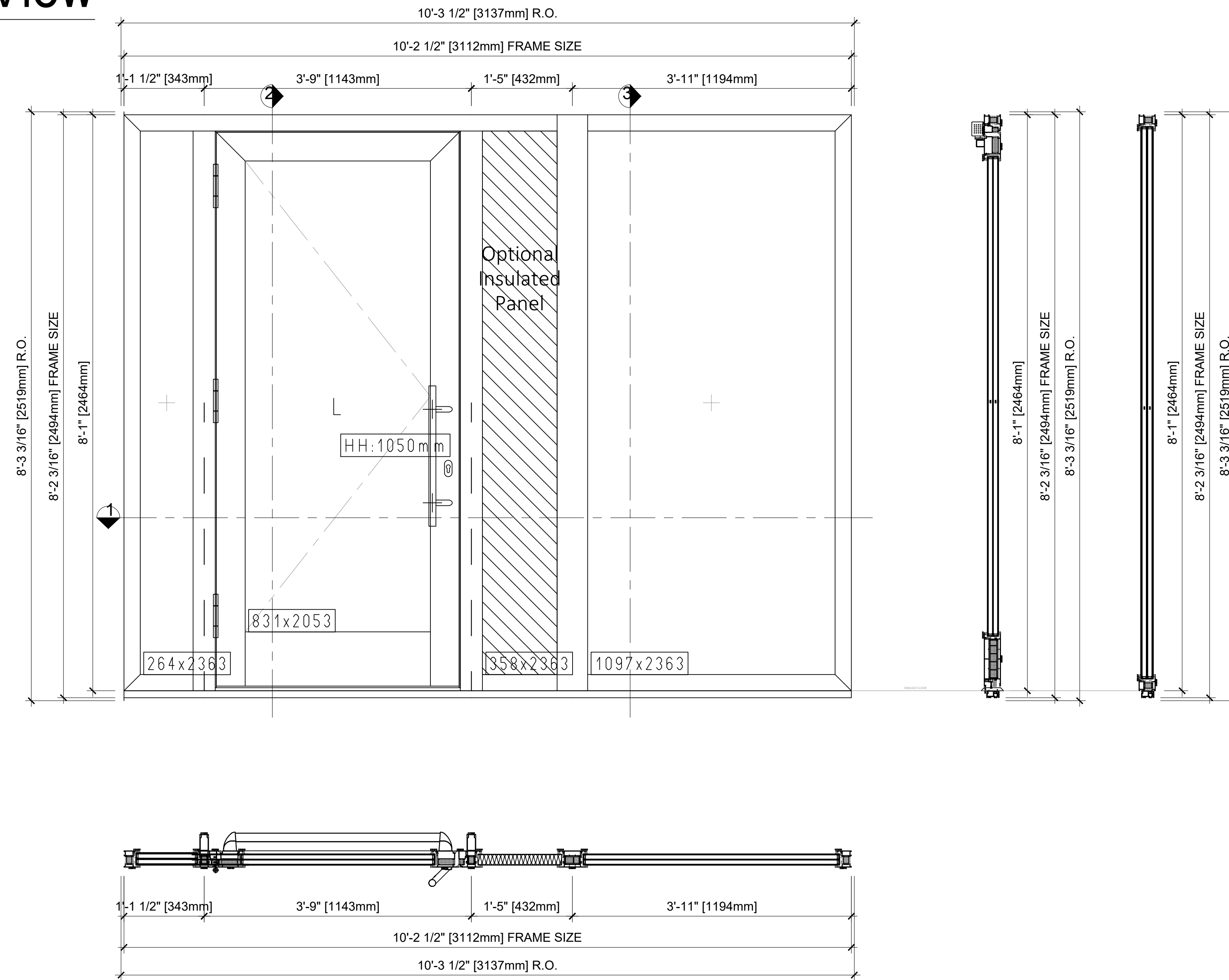
Horizontal Cross Section



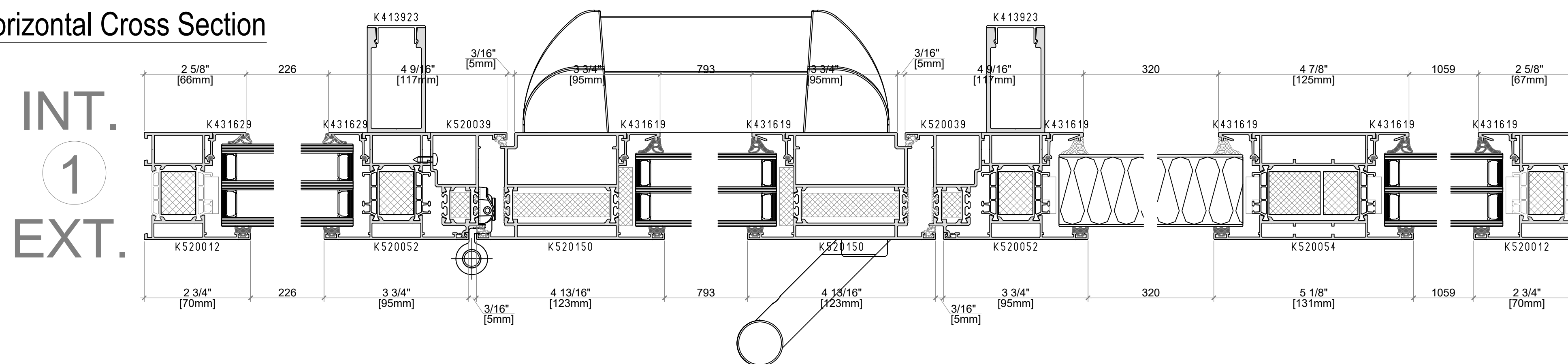
ALUPROF 79mm Product Guide

Alu79; Optional - Residential Commercial Entry Door With ADA Threshold - Outswing

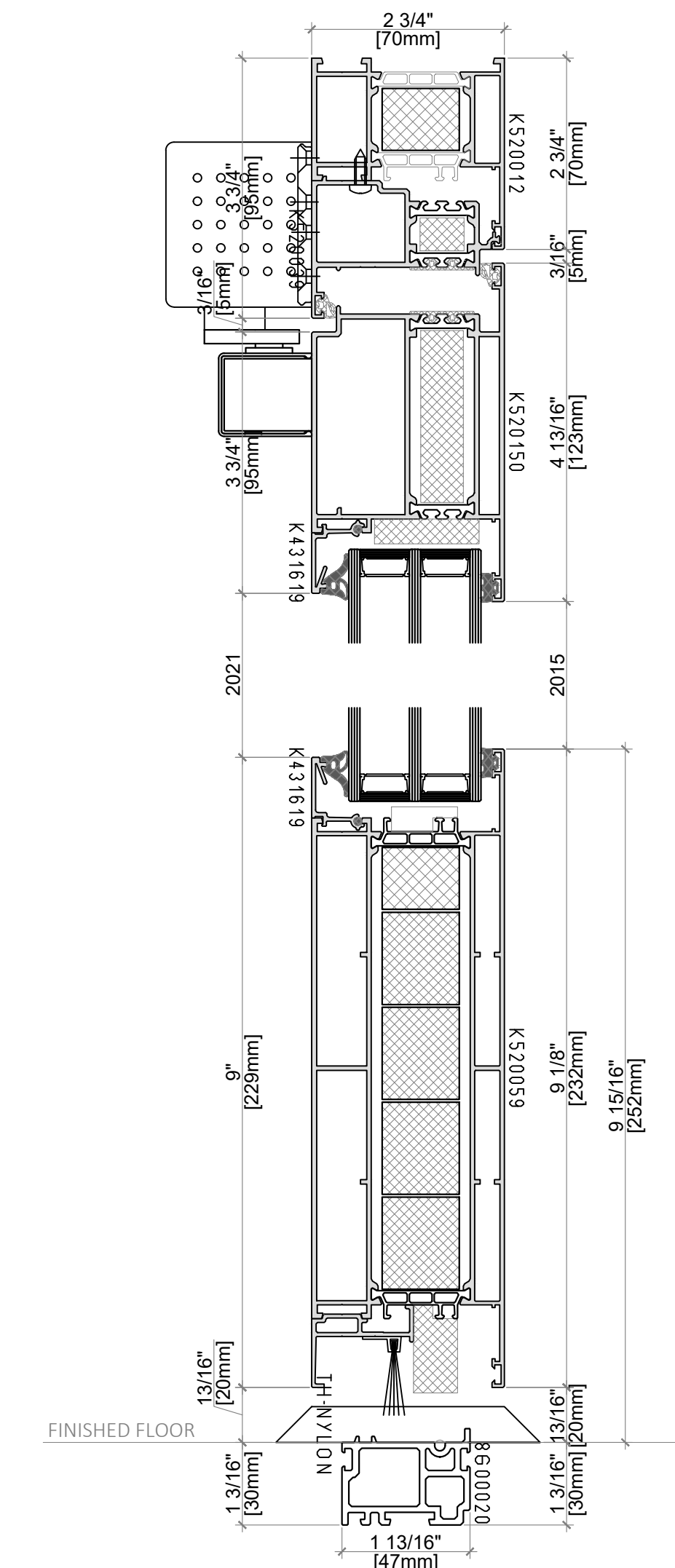
Exterior View



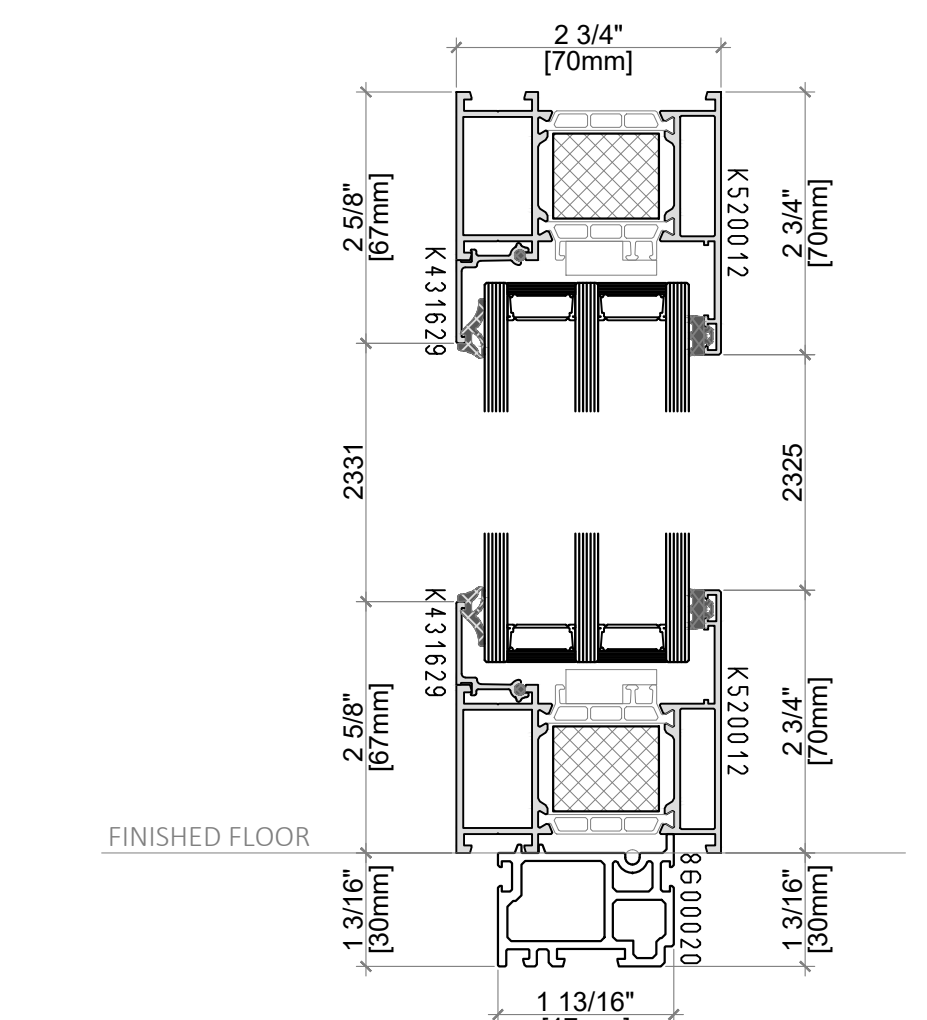
Horizontal Cross Section



Vertical Cross Section



INT. 2 EXT.



INT. 3 EXT.

NOTES:

Frame System:
Aluprof MB-79N SI

Fitting Type:
Entry Door ADA - Out Swing

Color:
Interior: Grey Brown (RAL 8019)
Finish: Matte

Exterior: Grey Brown (RAL 8019)
Finish: Matte

Glazing:
4/18 Ar/4/18 Ar/4 with Argon
(All Panes Tempered+Frosted)
Ug - .088 [Btu/(H Sq Ft °F)]
Spacer: Warm Edge Black (RAL9004)
SHGC - .53
STC - 35

U Factor:
0.22 [Btu/(H Sq Ft °F)]

Auto Operator Prep: No

Touch Bar: Yes, ECO Schulte - Stainless Steel

Hinges:
Roller, WR Roller WALA, Left Side - Stainless Steel

Threshold:
ADA w/ Sub Threshold, Nylatron with Plastic Sub
Threshold and Steel Insert

Bottom Lick Plate:
Yes, 300mm Bottom Rail (No need for Stainless
Steel Plates)

Electric Strike: Yes

Latches: Yes, WILKA Single Point

Door Closer: Yes, Doma, TS93 B (EN 2-5) 01 Silver

Bottom Rail: Raised 10" off AFF

Lever: No

Handle:
Pull Handle, WALA P45 600mm, Exterior -
Stainless Steel

Locking: WILKA W/ Mortise Lock, Euro-Style
Lock Core

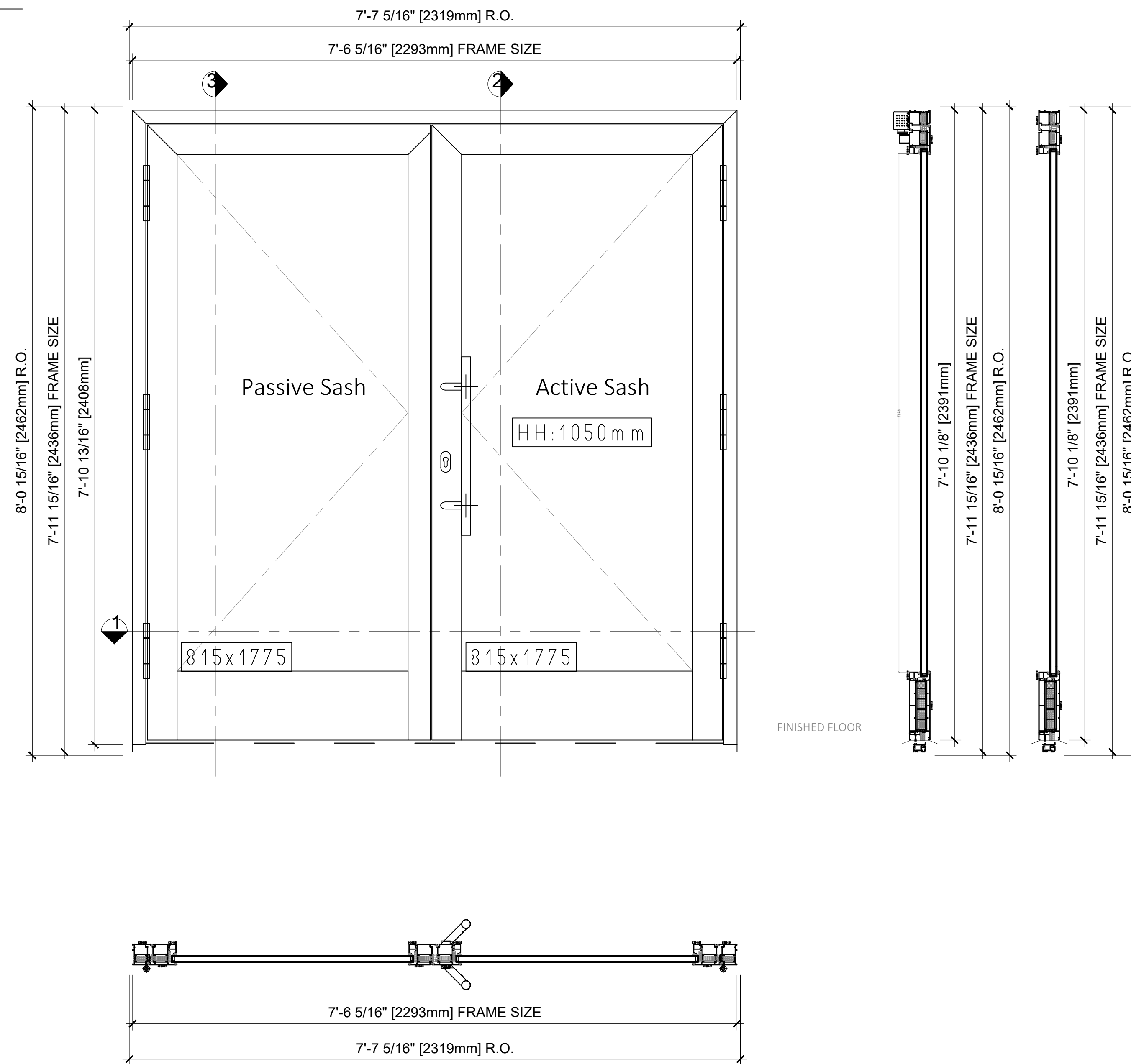
Weight:
535 lbs

Note:
Available In Double & Triple Glazed.

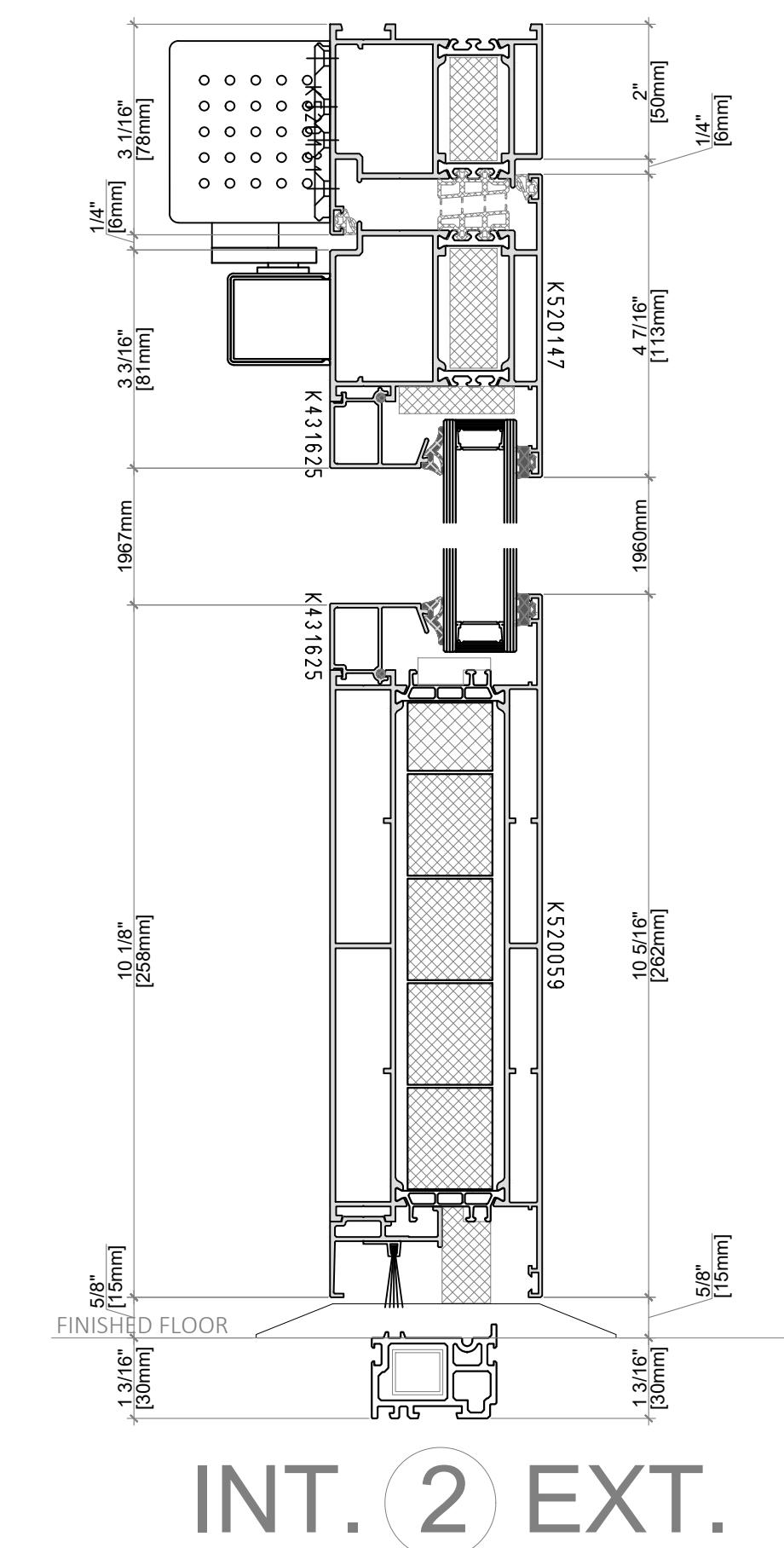
ALUPROF 79mm Product Guide

Alu79; Optional - MB79N SI+ - Commercial Entry Double Door

Exterior View



Vertical Cross Section



NOTES:

Frame System:
Aluprof MB-79N SI+

Fitting Type:
Entry Double Door ADA - Out Swing

Color:
Interior: Grey Brown (RAL 8019)
Finish: Matte

Exterior: Grey Brown (RAL 8019)
Finish: Matte

Glazing:
4/18 Ar/4/18 Ar/4 with Argon
(All Panes Tempered)
Ug - .088 [Btu/(H Sq Ft °F)]
Spacer: Warm Edge Black (RAL9004)
SHGC - .53
STC - 35

U Factor:
0.22 [Btu/(H Sq Ft °F)]

Auto Operator Prep: No

Touch Bar: No

Hinges:
Roller, WR Roller WALA, Left Side - Stainless Steel

Threshold:
ADA w/ Sub Threshold, Nylatron with Plastic Sub
Threshold and Steel Insert

Bottom Lick Plate:
Yes, 300mm Bottom Rail (No need for Stainless
Steel Plates)

Electric Strike: No

Latches: Yes, WILKA Single Point

Door Closer: No

Bottom Rail: Raised 10" off AFF

Lever: No

Handle:
Pull Handle, WALA P45 600mm, Interior/Exterior -
Stainless Steel

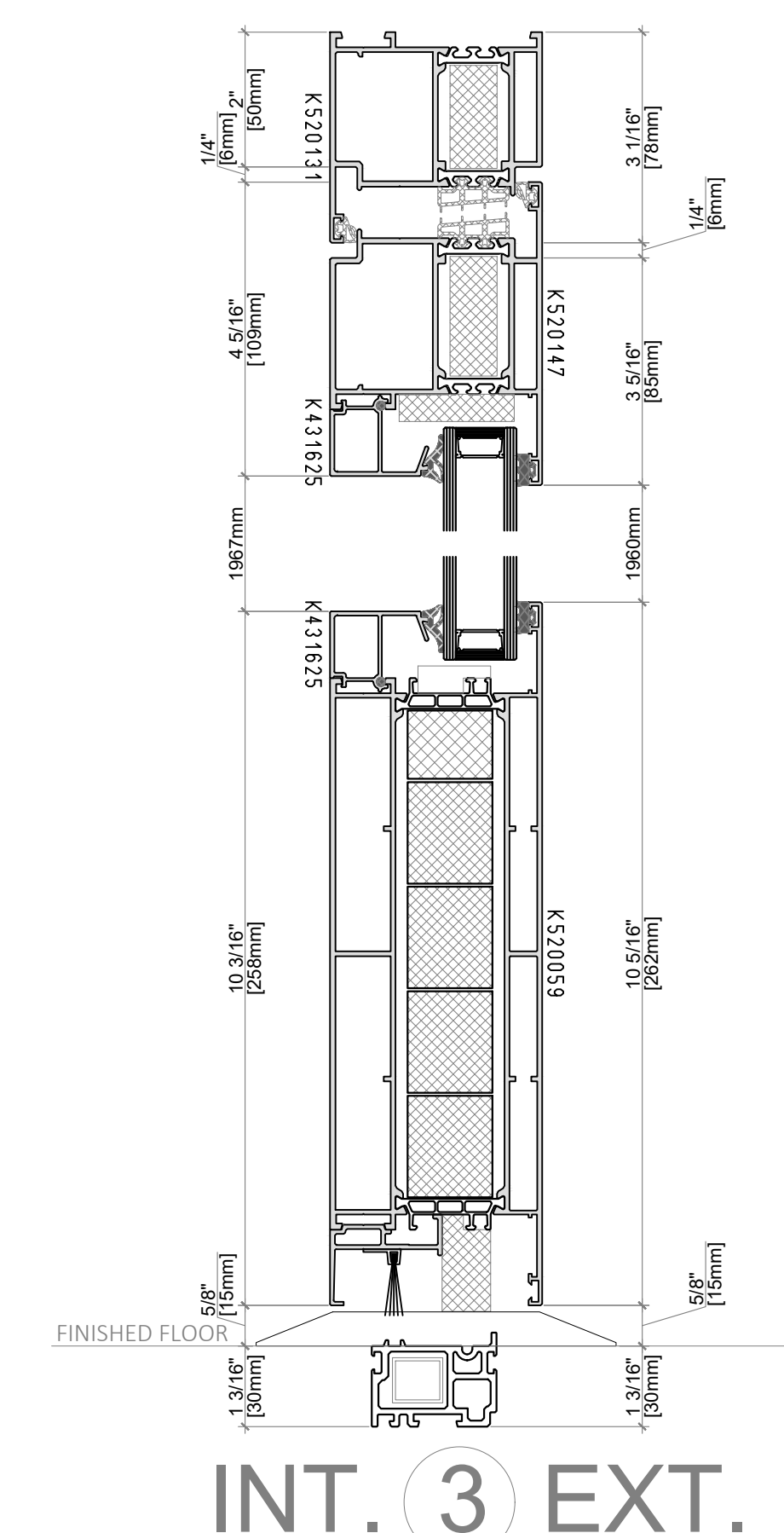
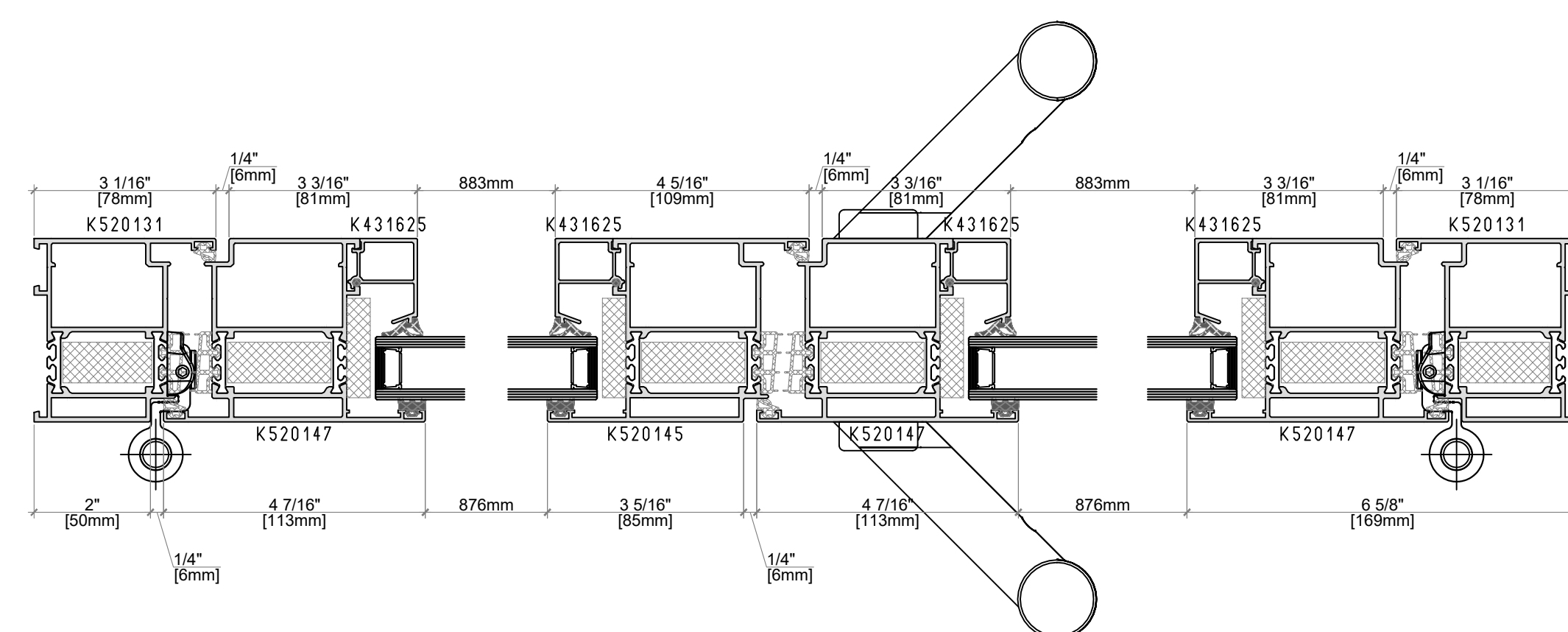
Locking: WILKA W/ Mortise Lock, Euro-Style
Lock Core

Weight:
535 lbs

Note:
Available In Double & Triple Glazed.

Horizontal Cross Section

INT.
1
EXT.



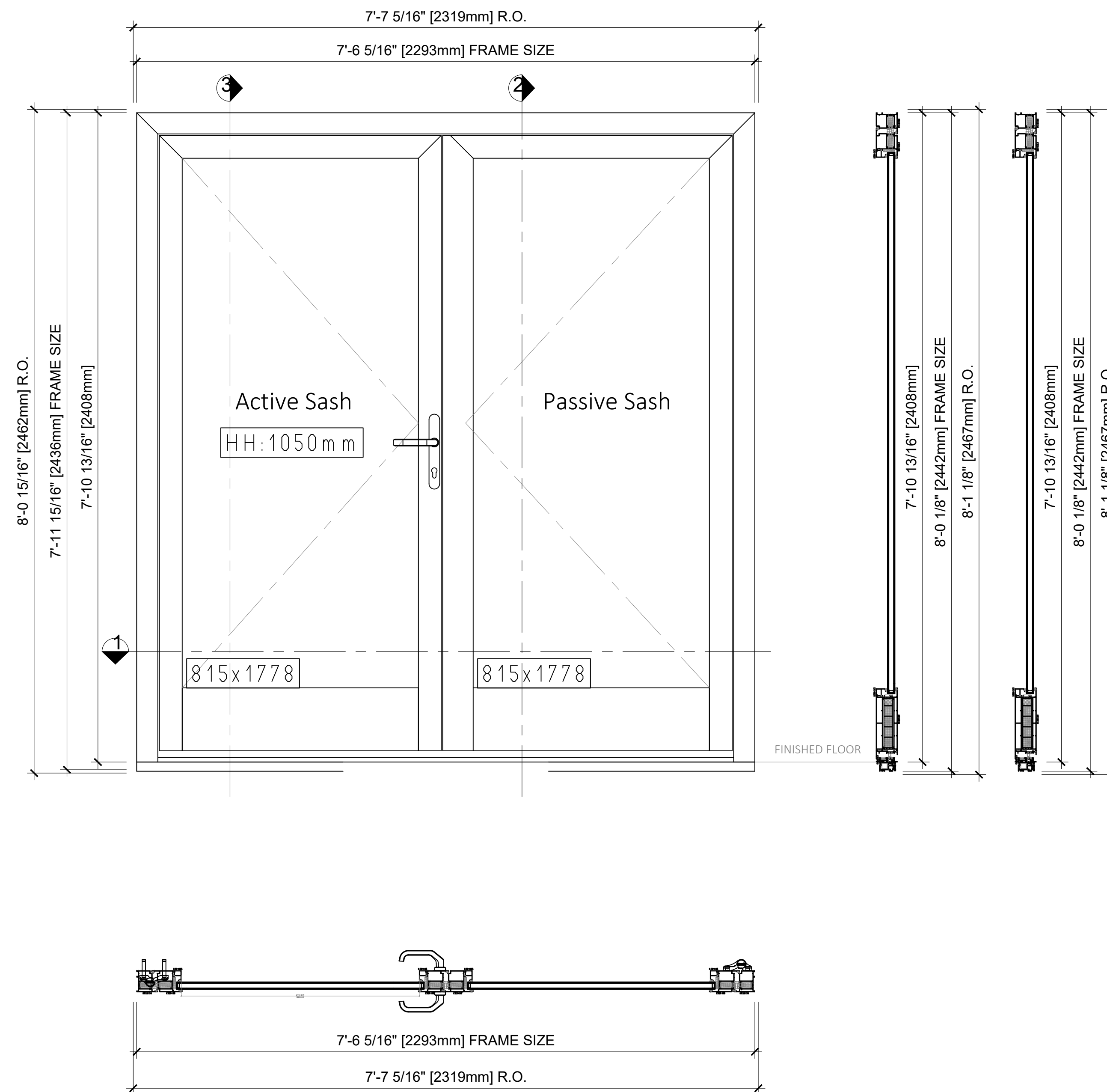
ALUPROF 79mm Product Guide

Alu79; Optional - MB79N SI+ - Residential Entry Double Door

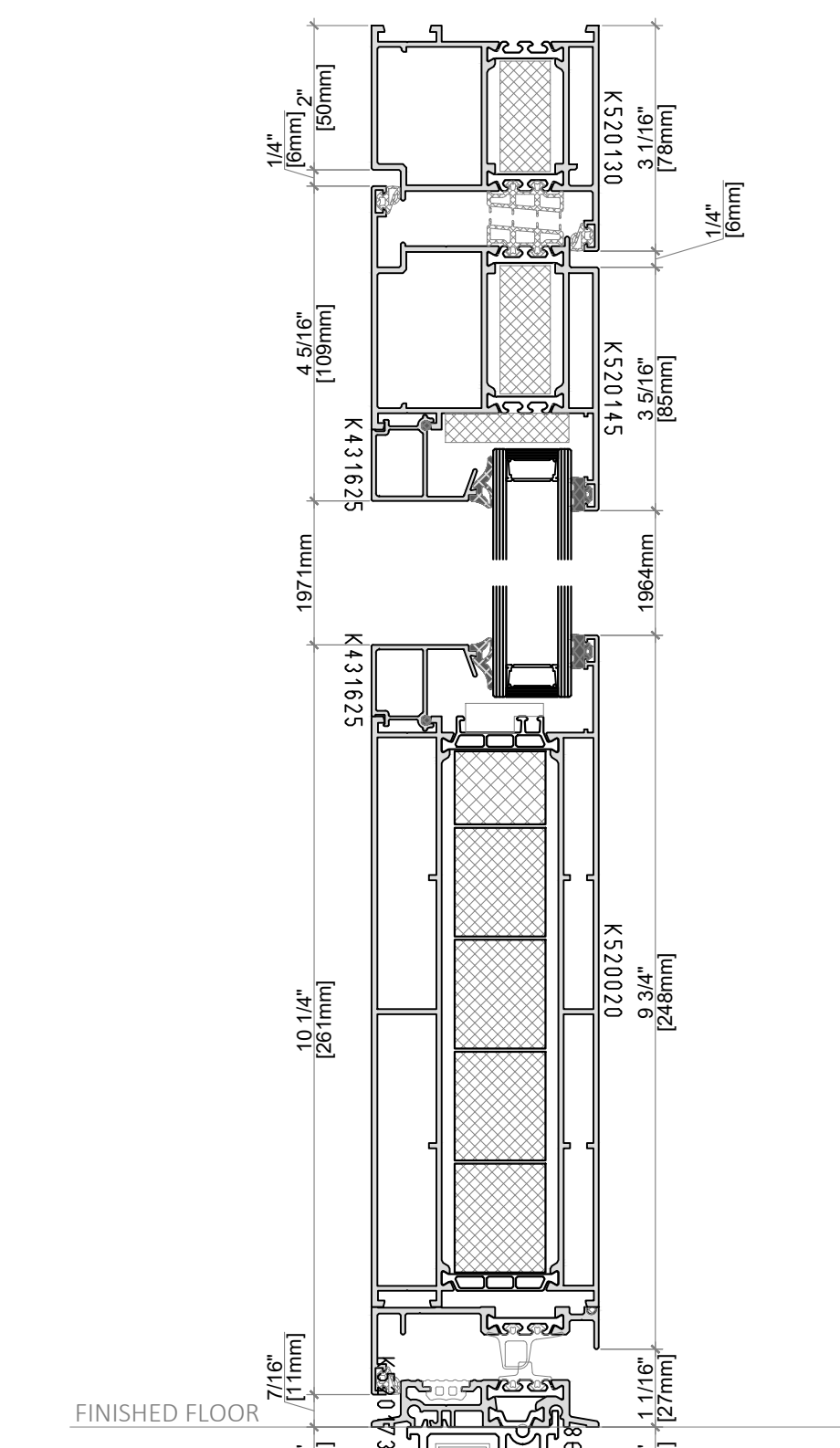
A M B E R L I N E

HIGH PERFORMANCE WINDOWS AND DOORS

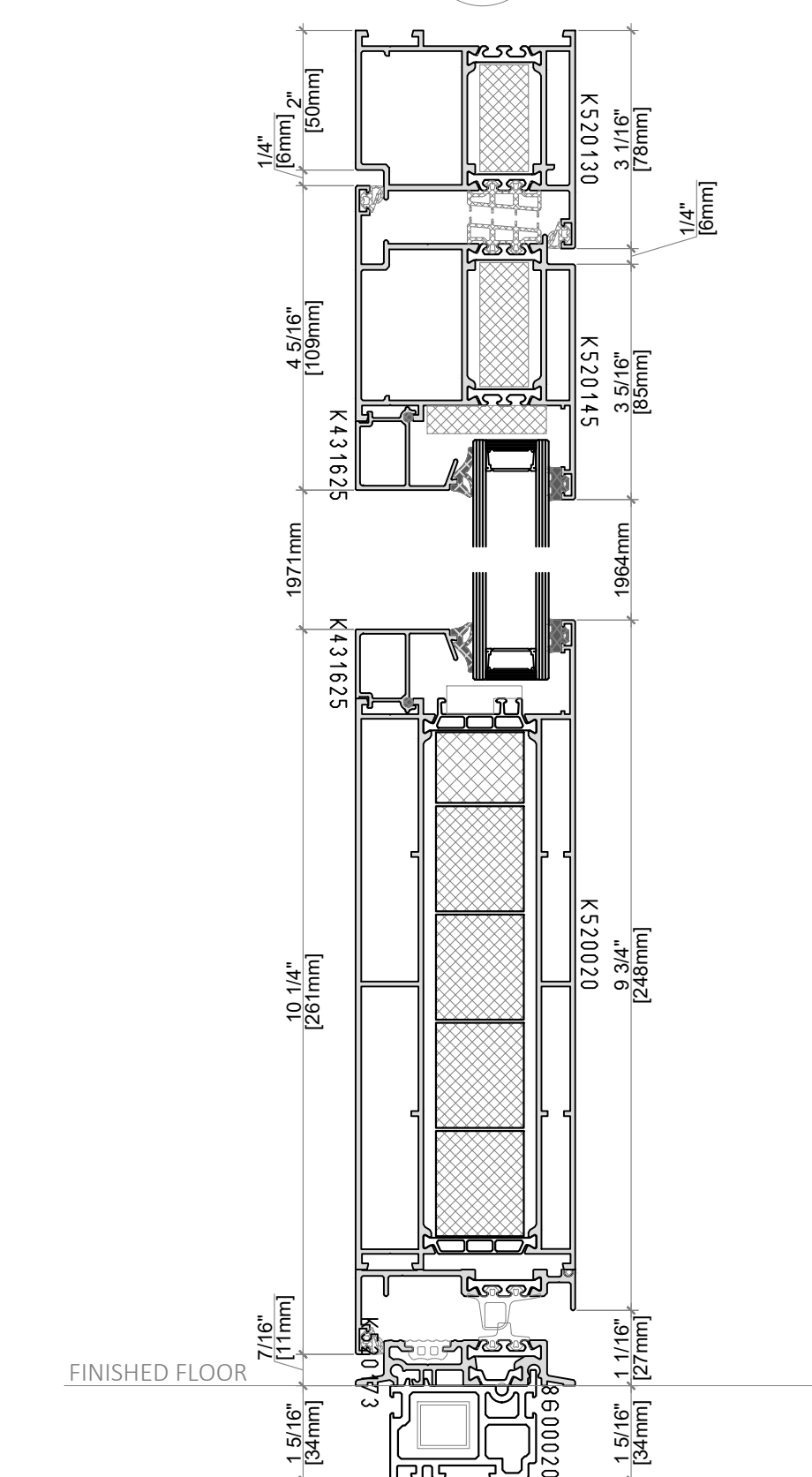
Exterior View



Vertical Cross Section



INT. 2 EXT.



INT. 3 EXT.

NOTES:

Frame System:
Aluprof MB-79N SI+

Fitting Type:
Entry Double Door ADA - Out Swing

Color:
Interior: Grey Brown (RAL 8019)
Finish: Matte

Exterior: Grey Brown (RAL 8019)
Finish: Matte

Glazing:
4/18 Ar/4/18 Ar/4 with Argon
(All Panes Tempered)
Ug - .088 [Btu/(H Sq Ft °F)]
Spacer: Warm Edge Black (RAL9004)
SHGC - .53
STC - 35

U Factor:
0.22 [Btu/(H Sq Ft °F)]

Auto Operator Prep: No

Touch Bar: No

Hinges:
Roller, WR Roller WALA, Left Side - Stainless Steel

Threshold:
ADA w/ Sub Threshold, Nylon with Plastic Sub
Threshold and Steel Insert

Bottom Lick Plate:
Yes, 300mm Bottom Rail (No need for Stainless
Steel Plates)

Electric Strike: No

Latches: Yes, WILKA Single Point

Door Closer: No

Bottom Rail: Raised 10" off AFF

Lever: FKS35A/1200 - Stainless Steel - Int./Ext.

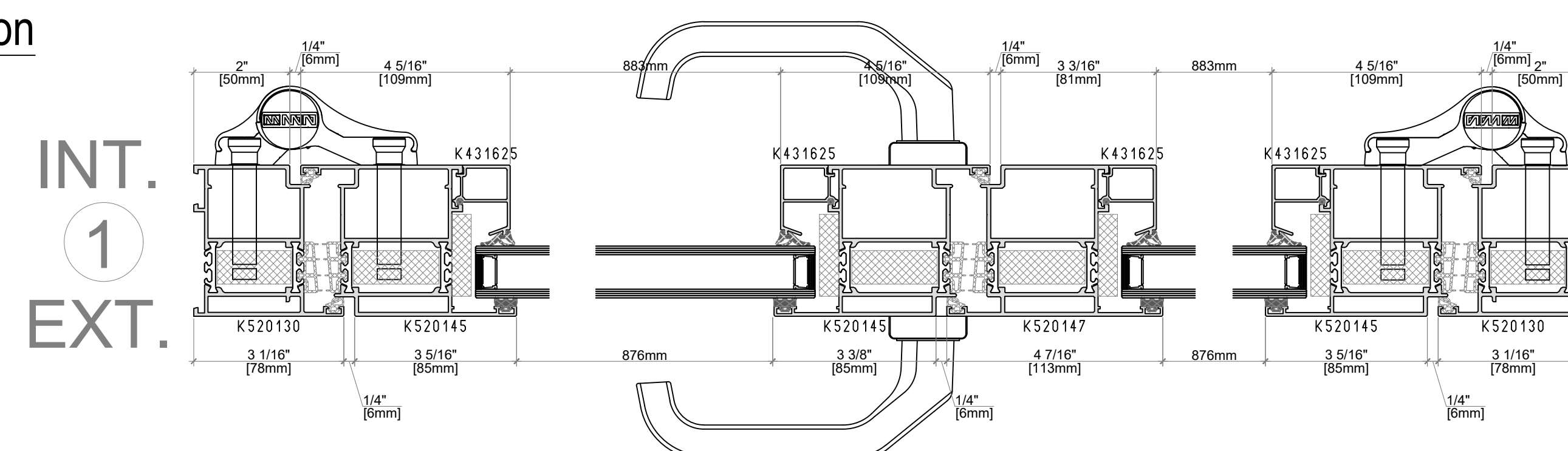
Handle: No

Locking: WILKA W/ Mortise Lock, Euro-Style
Lock Core

Weight:
535 lbs

Note:
Available In Double & Triple Glazed.

Horizontal Cross Section

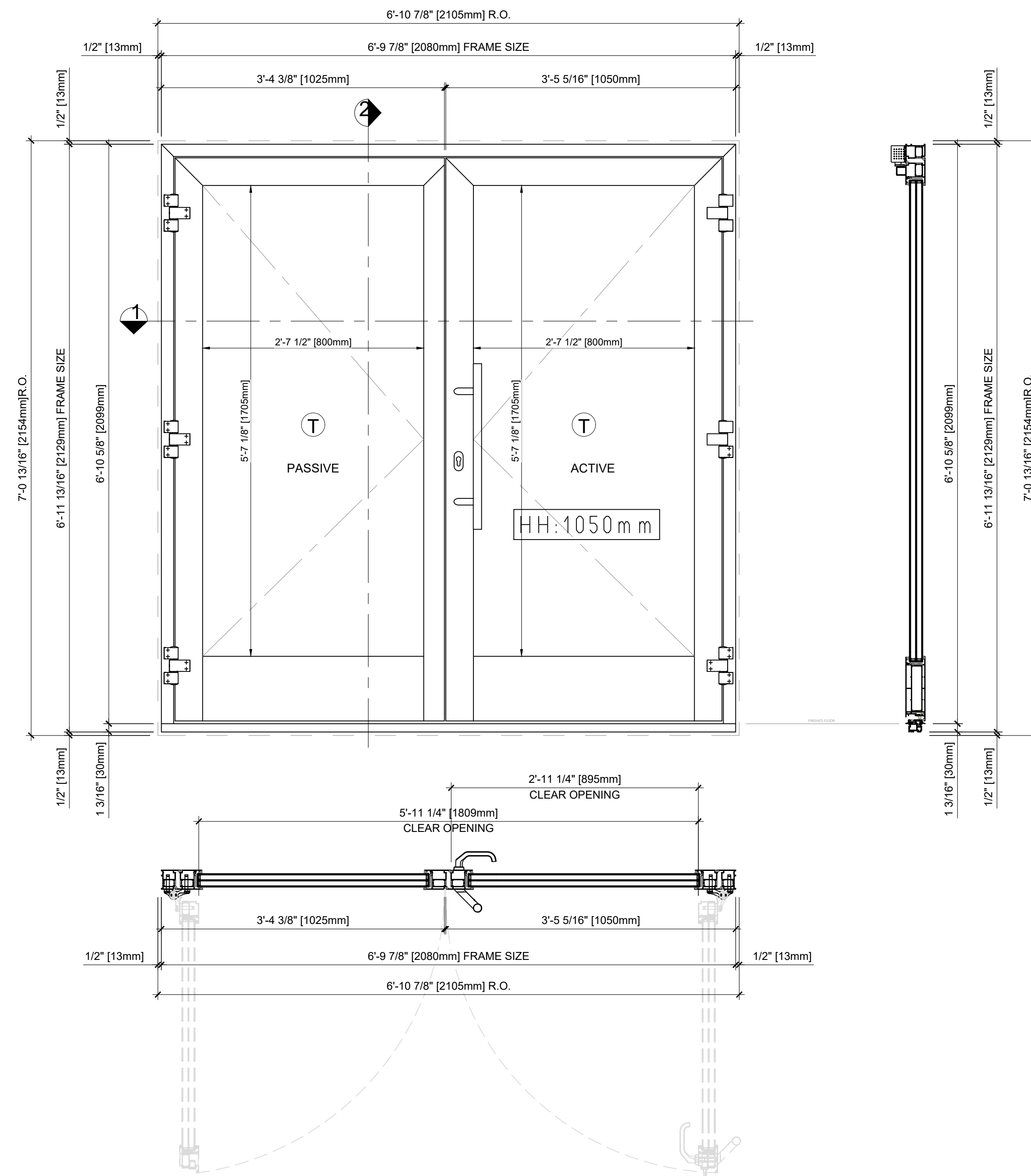


37

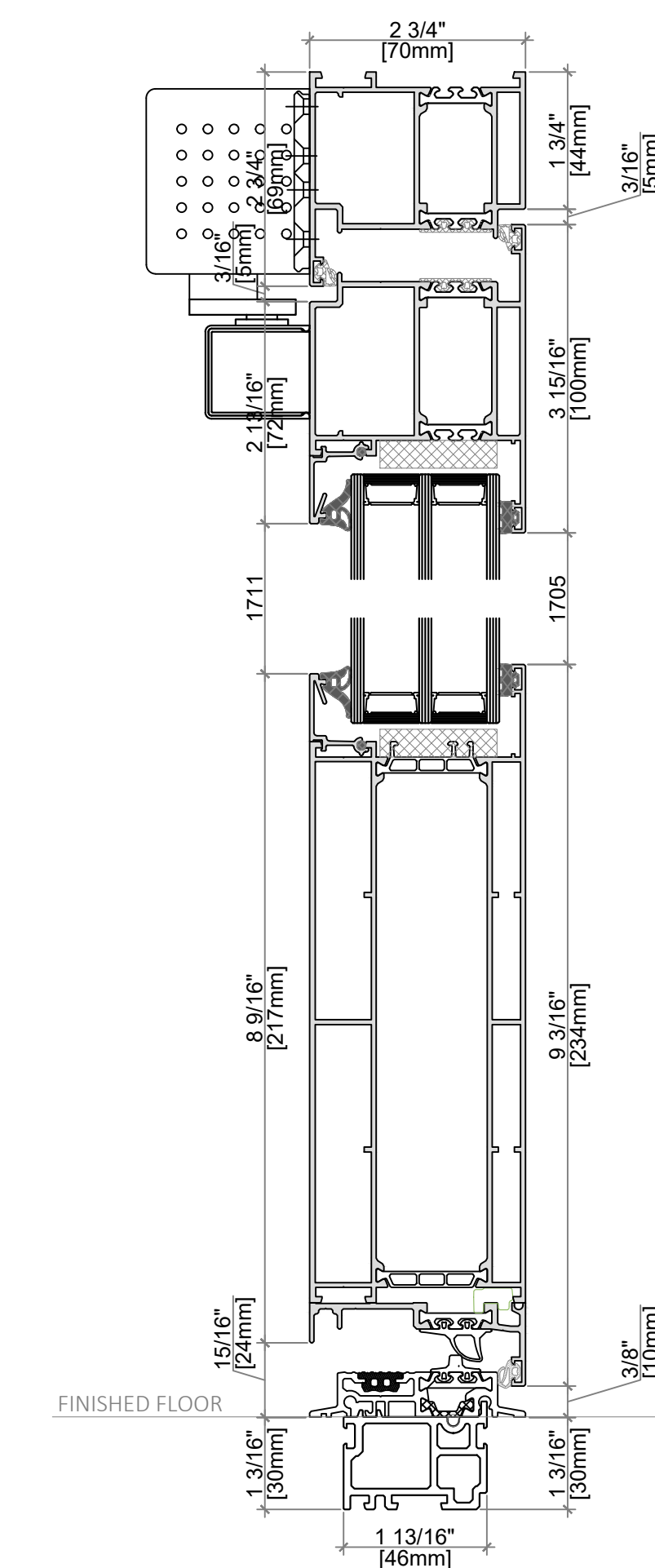
ALUPROF 79mm Product Guide

Alu79; Optional - Double Utility Door - Outswing

Exterior View



Vertical Cross Section



INT. 2 EXT.

NOTES:

Frame System:
Aluprof MB-79N ST

Fitting Type:
Entry Door - Out Swing (Active & Passive)

Hardware Group: 16

Profile views (outside):
Jamb: K520131 (44.5 mm), K520173 (14.5 mm)
Door Leaf: K520145 (75 mm), K520147 (100 mm)

Color:
Interior: Anthracite Grey
Finish: Matte

Exterior: Anthracite Grey
Finish: Matte

Glazing:
ESG 4T1.0/18 Ar/ESG 4/18 Ar/ESG 4T1.0 (Tempered)
Ug - .08 [Btu/(H Sq Ft °F)]
Spacer: Warm Edge Black (RAL9004)
SHGC - .38
STC - 33

U Factor:
0.21 [Btu/(H Sq Ft °F)]

Touch Bar:
No

Handle: Yes, Exterior Small Pull Handle

Lever: Yes, Interior, FKS35A/1200, Stainless Steel

Door Closer:
Yes, Dorma, Silver, Surface Mounted (Active Sash Only)

Hinges:
WALA - Surface Mounted, Roller Hinges - Stainless Steel

Weight:
308 lbs

Auto Operator Pre: No

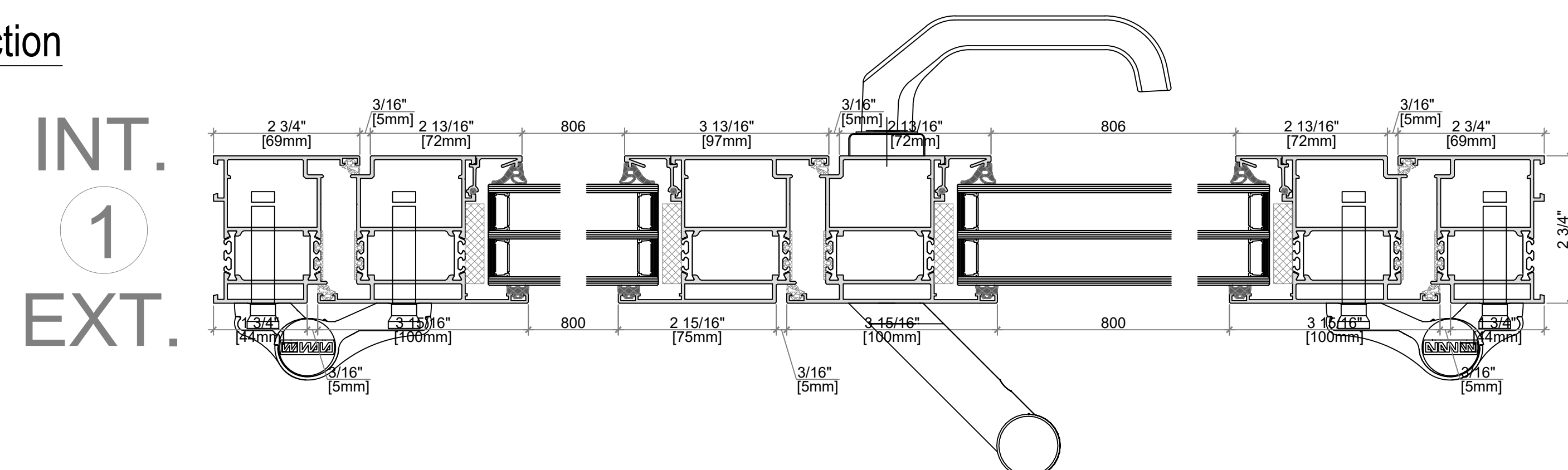
Threshold: Standard with Sub Sill

Latches: Storeroom Lock, WILKA Mortise Lock, Euro-Style Core

Locking: Deadbolt with interior thumb turn, WILKA euro-style lock core, anti-panic

Note:
Available in Double & Triple Glazed.

Horizontal Cross Section

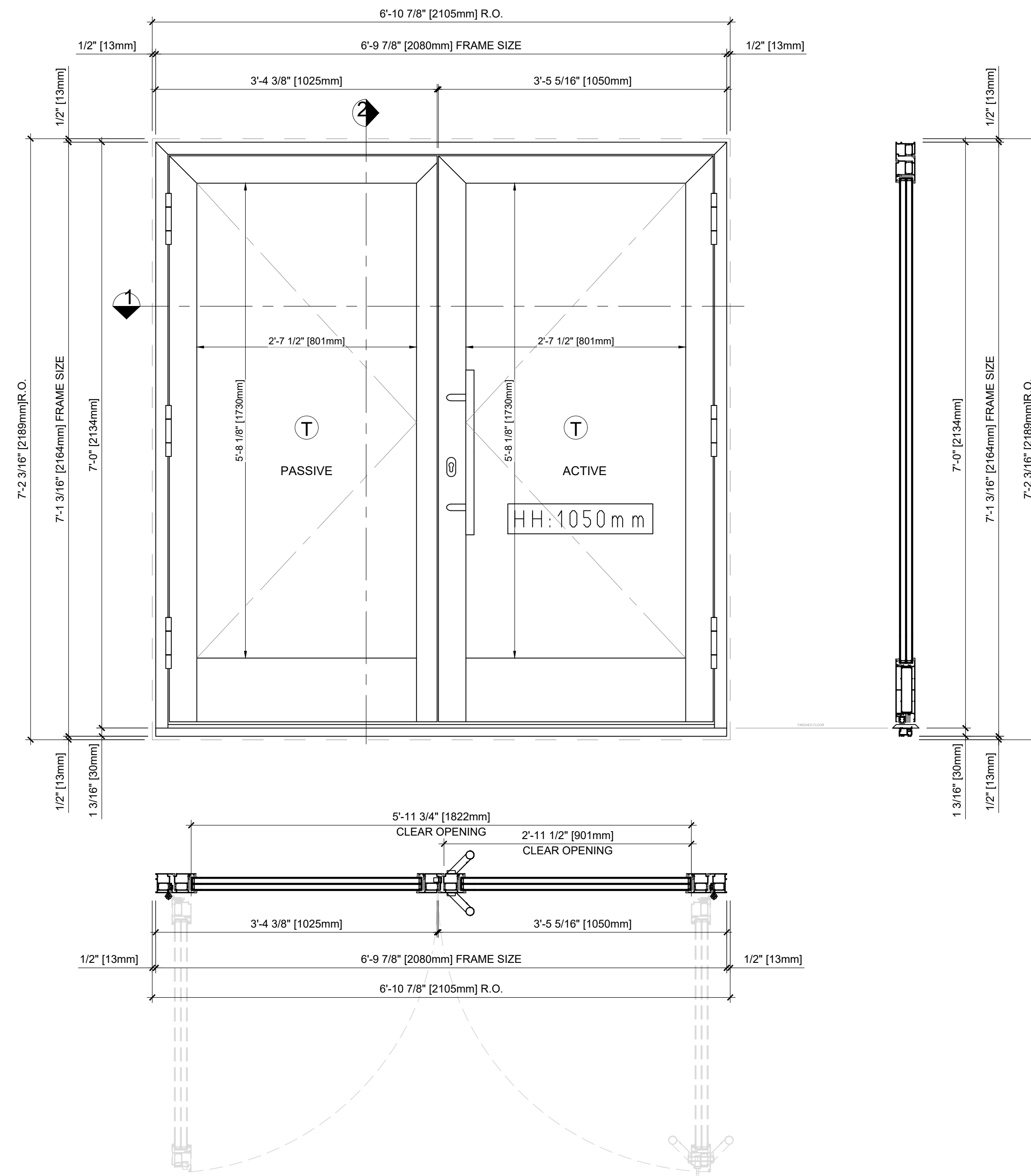


ALUPROF 79mm Product Guide

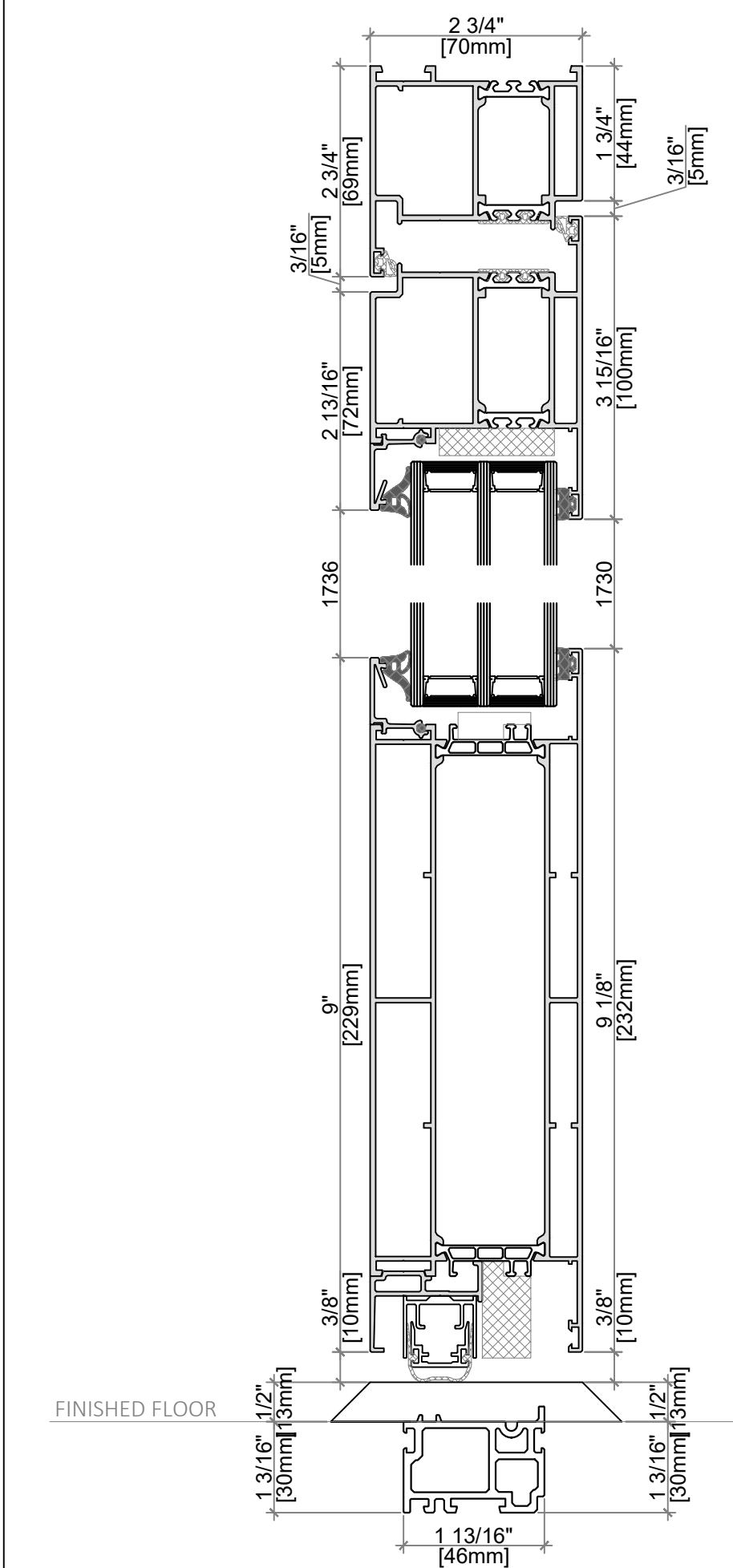
Alu79; Optional - Commercial Retail Double Entry Door With ADA Threshold - Outswing

A M B E R L I N E
HIGH PERFORMANCE WINDOWS AND DOORS

Exterior View



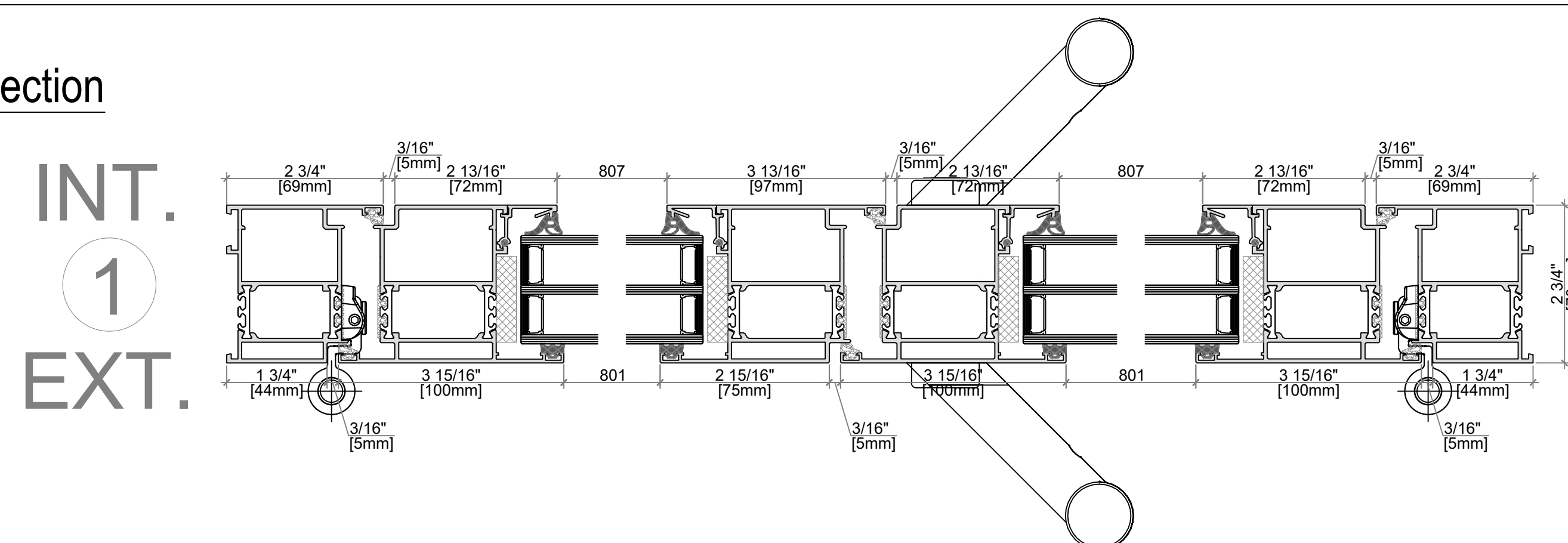
Vertical Cross Section



NOTES:

- Frame System:**
Aluprof MB-79N ST
- Fitting Type:**
Entry Door - Out Swing (Active & Passive)
- Hardware Group:** 2
- Profile views (outside):**
Jamb: K520131 (44.5 mm)
Bottom Rail: K520059 (232 mm)
Door Leaf: K520145 (75 mm), K520147 (100 mm)
- Color:**
Interior: Anthracite Grey
Finish: Matte
- Exterior:** Anthracite Grey
Finish: Matte
- Glazing:**
ESG 4T1.0/18 Ar/ESG 4/18 Ar/ESG 4T1.0 (Tempered)
Ug - .08 [Btu/(H Sq Ft °F)]
Spacer: Warm Edge Black (RAL9004)
SHGC - .38
STC - 33
- U Factor:**
0.21 [Btu/(H Sq Ft °F)]
- Touch Bar:** No
- Handle:**
Pull Handle, Exterior & Interior, WALA P45 600mm
- Door Closer:**
No, Auto Operator Not Shown
- Hinges:**
WALA - Roller Hinges - Stainless Steel, Both Sides
- Weight:**
306 lbs
- Auto Operator Pre:** Yes, (Operator by Others)
- Threshold:** ADA - Nylatron with Plastic Sub Threshold and Steel Insert
- Latches:** WILKA Roller Latch
- Locking:** WILKA W/ Mortise Lock, Euro-Style Lock Core

Horizontal Cross Section



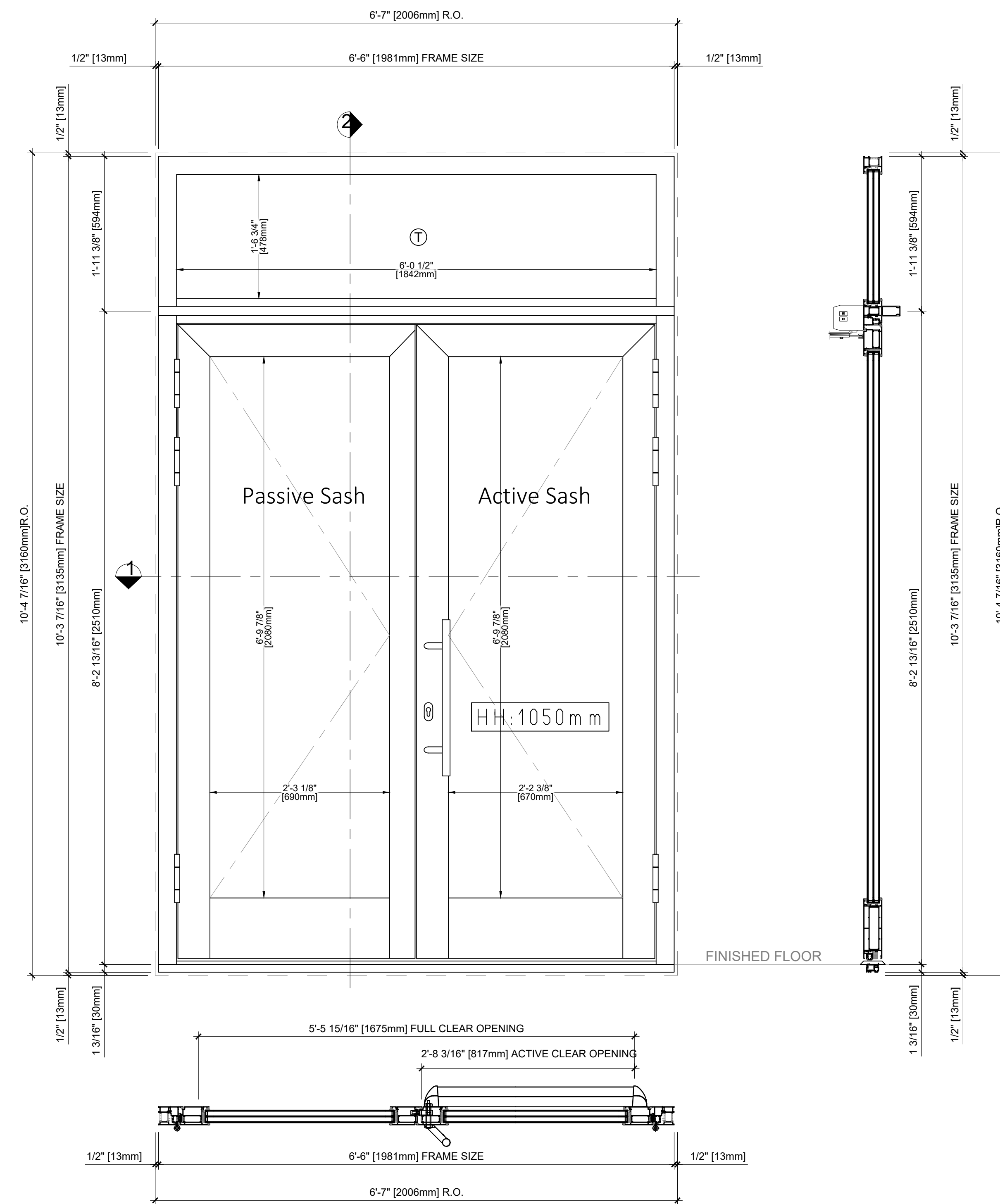
INT. 2 EXT.

Note:
Available In Double & Triple Glazed.

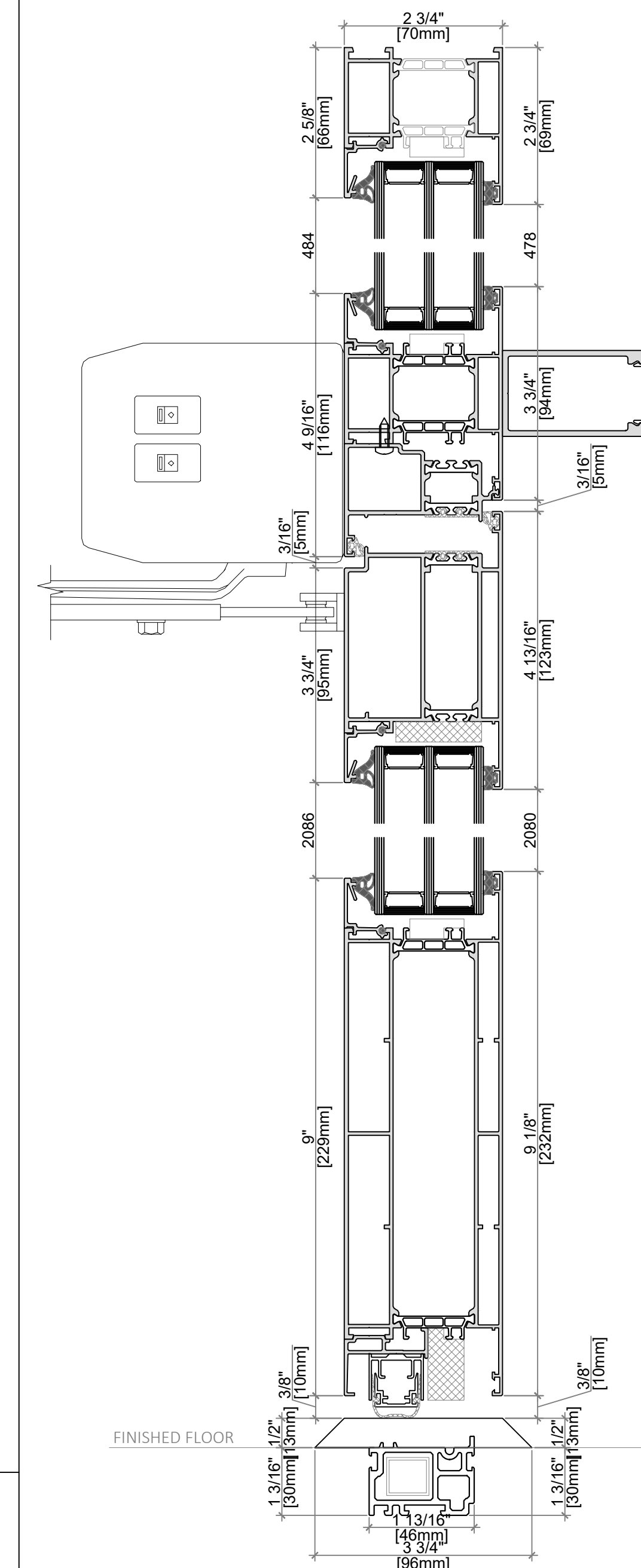
ALUPROF 79mm Product Guide

Alu79; Optional - Double Entry Door With ADA Threshold - Outswing

Exterior View



Vertical Cross Section



NOTES:

Frame System:
Aluprof MB-79N

Fitting Type:
Entry/Double Door - outswing

Color:
Interior: Black (RAL 9005)
Finish: Matte

Exterior: Black (RAL 9005)
Finish: Matte

Glazing:
4T/18 Ar/4/18 Ar/ 4T - Tempered
Ug - .08 [Btu/(H Sq Ft °F)]
Spacer: Warm Edge Black (RAL9004)
SHGC - .38
STC - 33

Handle:
WALA P45 600mm - exterior - Stainless Steel

Hinges:
WALA Roller - Stainless Steel

Touch Bar:
Yes, Interior - Eco EPN2000 II - Stainless Steel

Levers:
No

Operator Prep:
Yes, but provided by others
LCN4640 Automatic Opener

Door Closer:
No

Threshold:
Nylatron ADA with subthreshold - black

Locking:
Key/Key

Electric Strike:
Yes

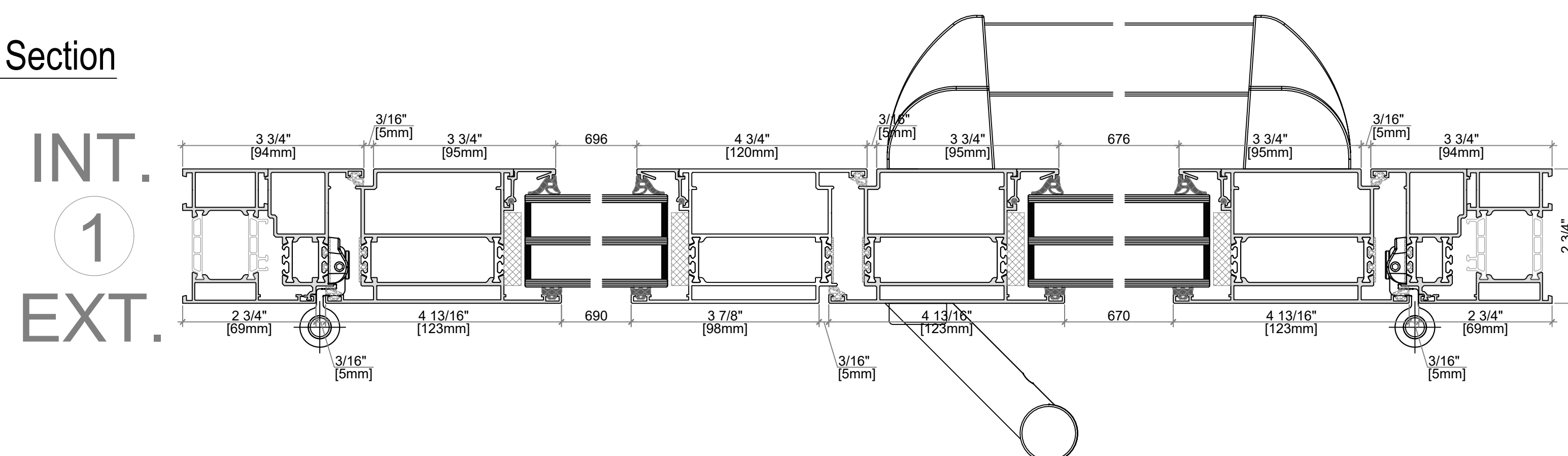
U Factor:
0.21 [Btu/(H Sq Ft °F)]

Weight: 429 lbs

Shipping: De-glazed

Note:
Available In Double & Triple Glazed.

Horizontal Cross Section

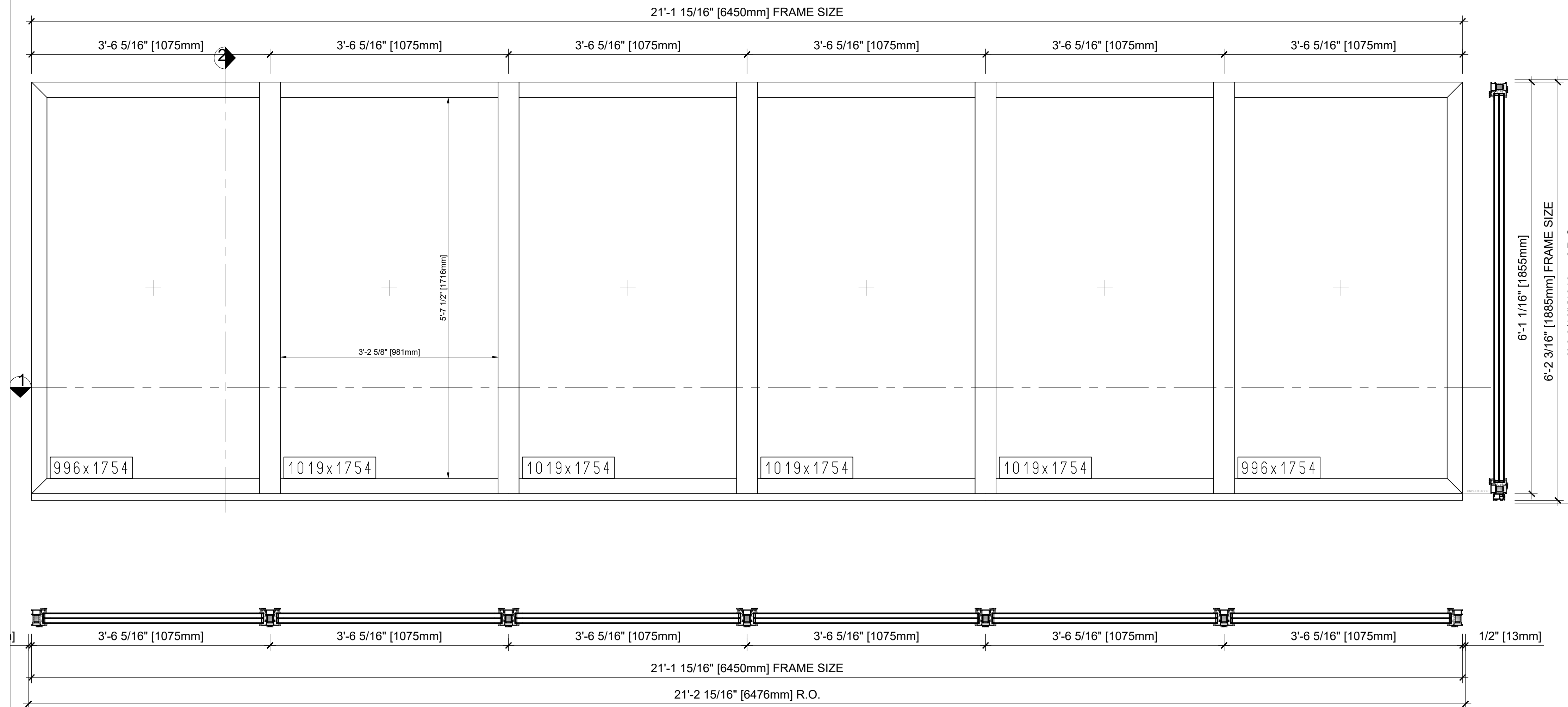


INT. ② EXT.

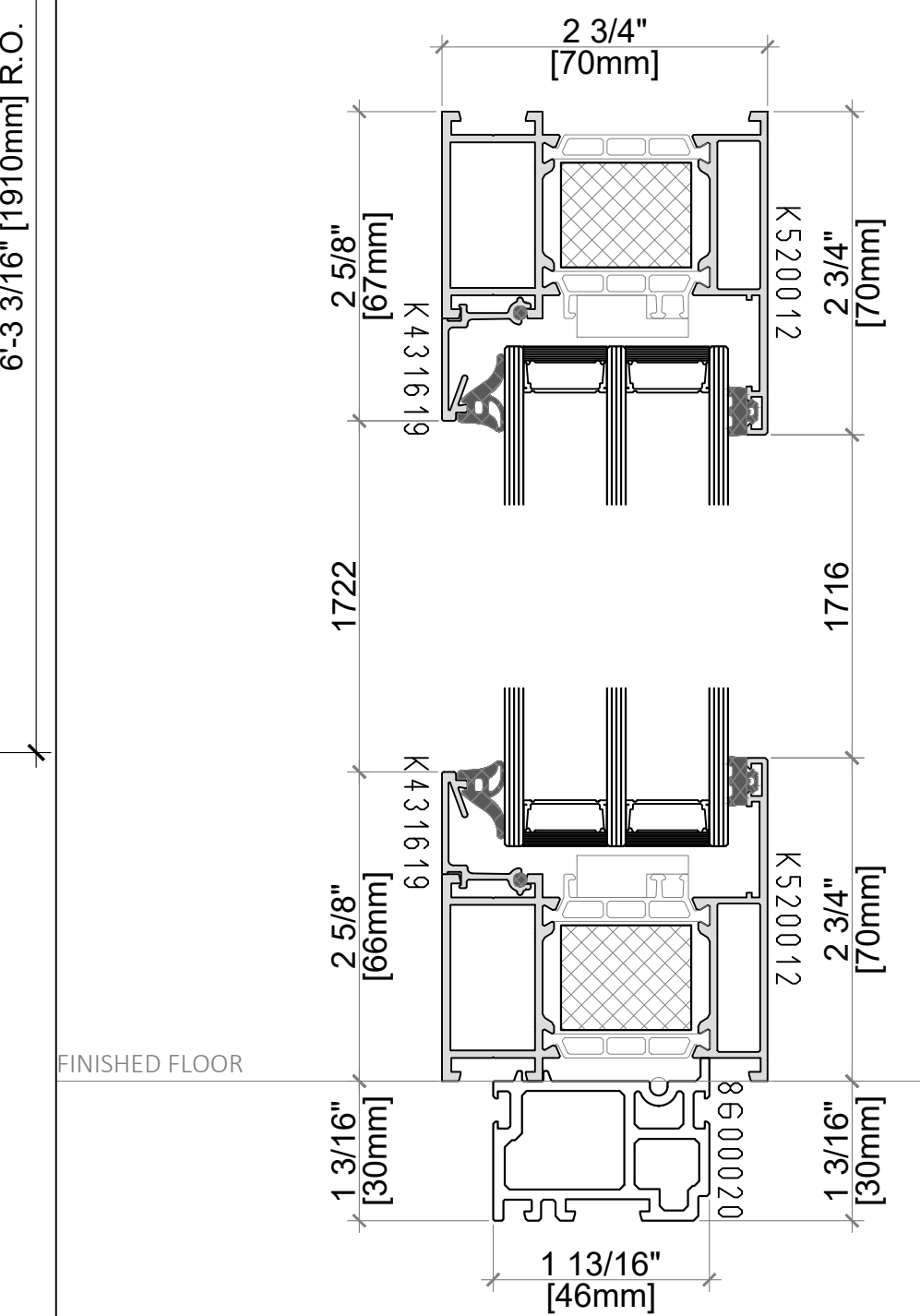
ALUPROF 79mm Product Guide

Alu79; Optional - Storefront - Fixed

Exterior View



Vertical Cross Section



NOTES:

Frame System:
Aluprof MB-79N SI

Fitting Type:
Storefront/Fixed

Profile views (outside):
Jamb: K520012 (69.5 mm), K520200 (25.5 mm)

Color:
Interior: Grey Brown (RAL 8019)
Finish: Matte

Exterior: Grey Brown (RAL 8019)
Finish: Matte

Glazing:
4/18 Ar/4/18 Ar/4 with Argon
(All Panes Tempered)
Ug - .088 [Btu/(H Sq Ft °F)]
Spacer: Warm Edge Black (RAL9004)
SHGC - .53
STC - 35

U Factor:
0.125 [Btu/(H Sq Ft °F)]

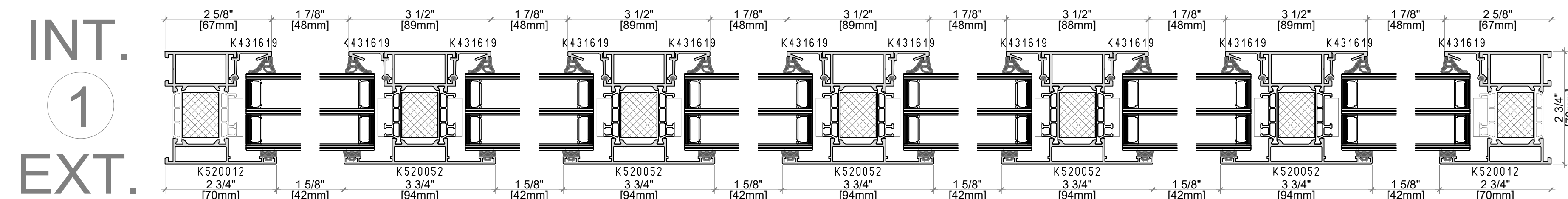
Weight:
833 lbs

Note:
Shipped de-glazed and some on site.
Frame assembly required.

Note:
Available In Double & Triple Glazed.

INT. ② EXT.

Horizontal Cross Section



INT. ①
EXT.