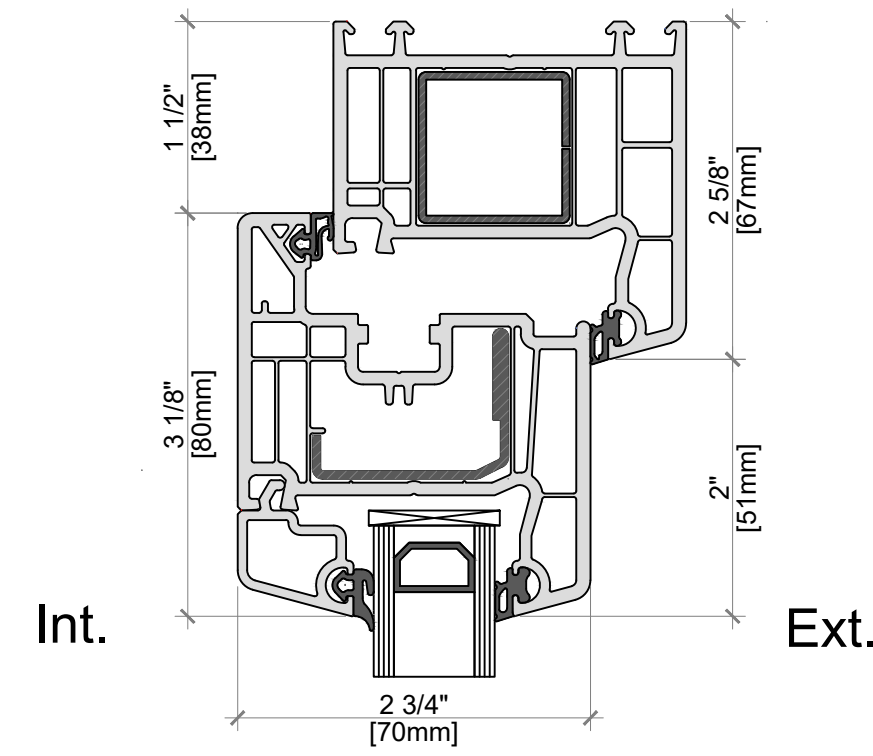


Softline PVC Inswing Door Profiles

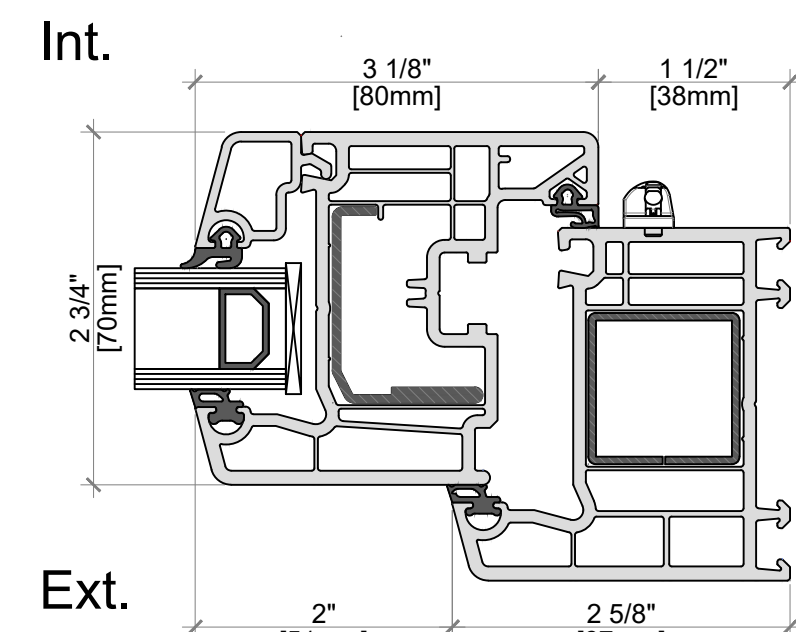
Balcony Door Profiles - 70mm, 76mm & 82mm

A M B E R L I N E

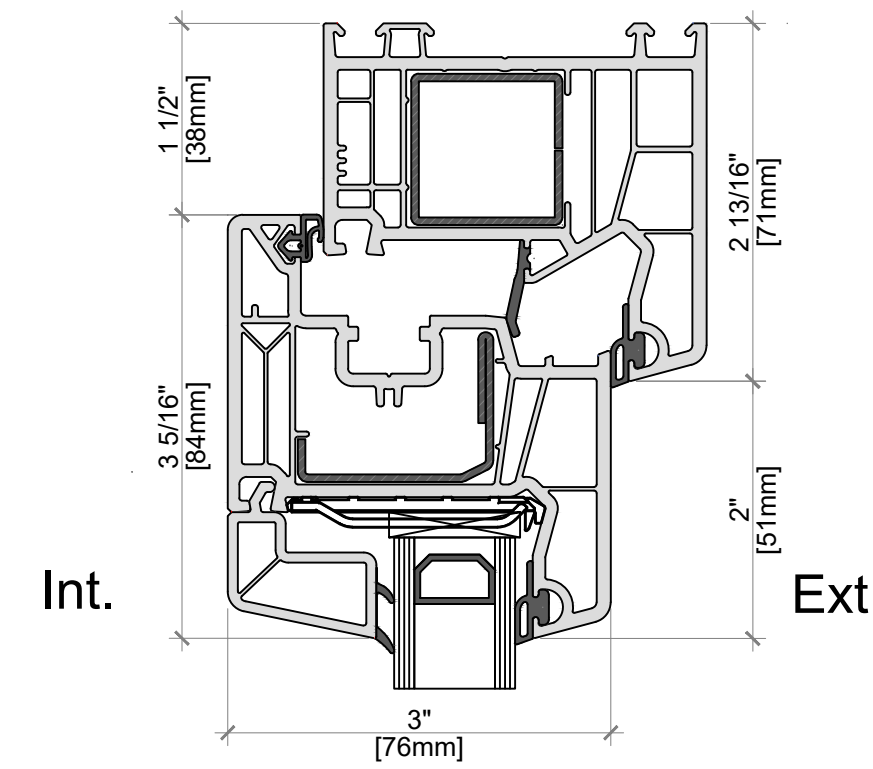
HIGH PERFORMANCE WINDOWS AND DOORS



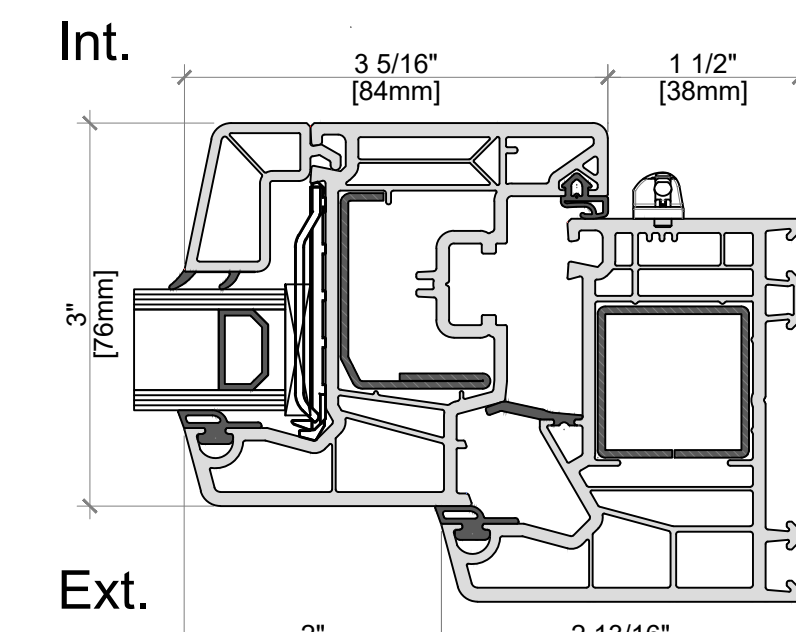
1A 70mm Balcony Door Head Detail
DG-02 SCALE: 8" = 1'-0"



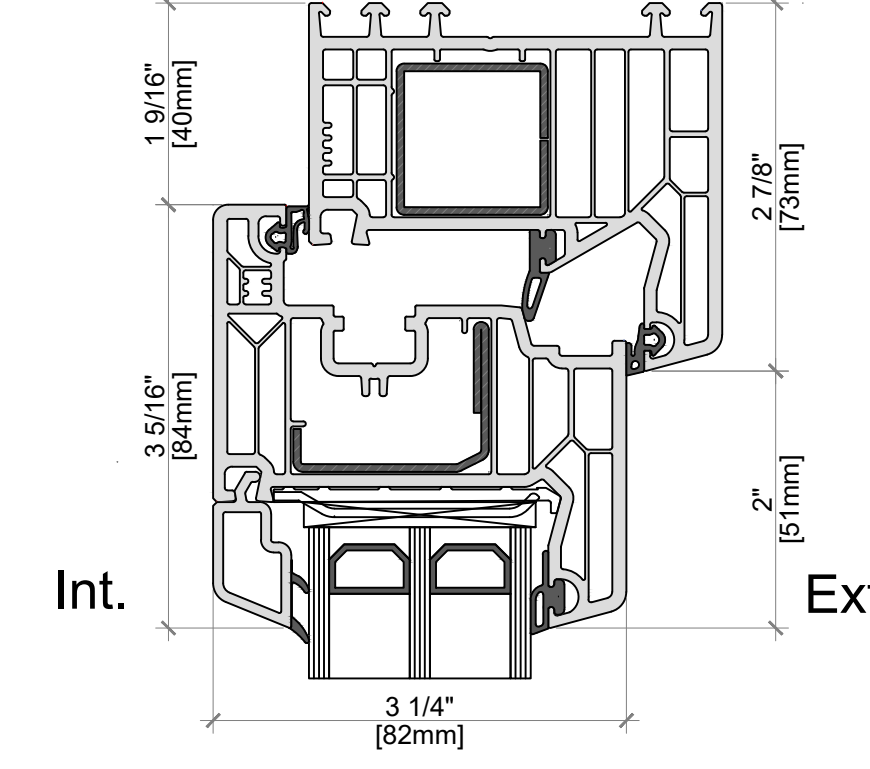
1B 70mm Balcony Door Jamb Detail
DG-02 SCALE: 8" = 1'-0"



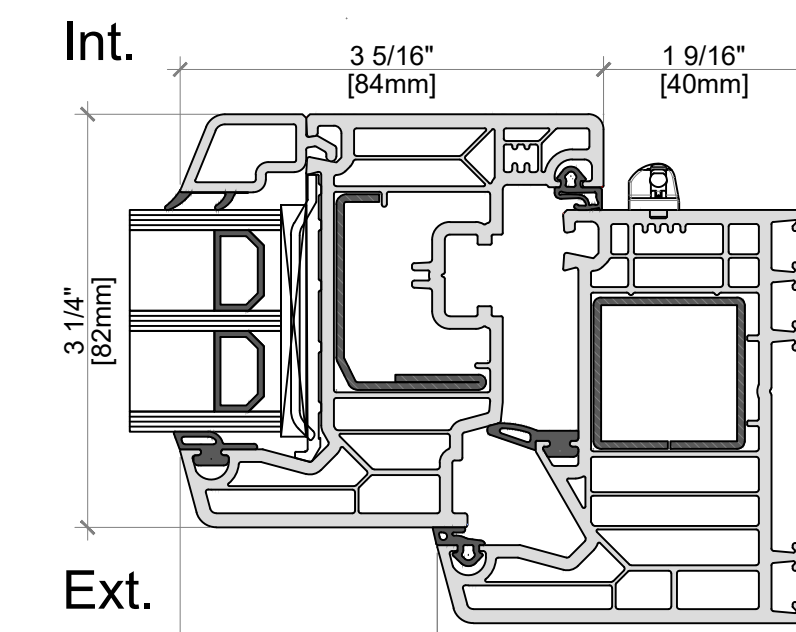
2A 76mm Balcony Door Head Detail
DG-02 SCALE: 8" = 1'-0"



2B 76mm Balcony Door Jamb Detail
DG-02 SCALE: 8" = 1'-0"

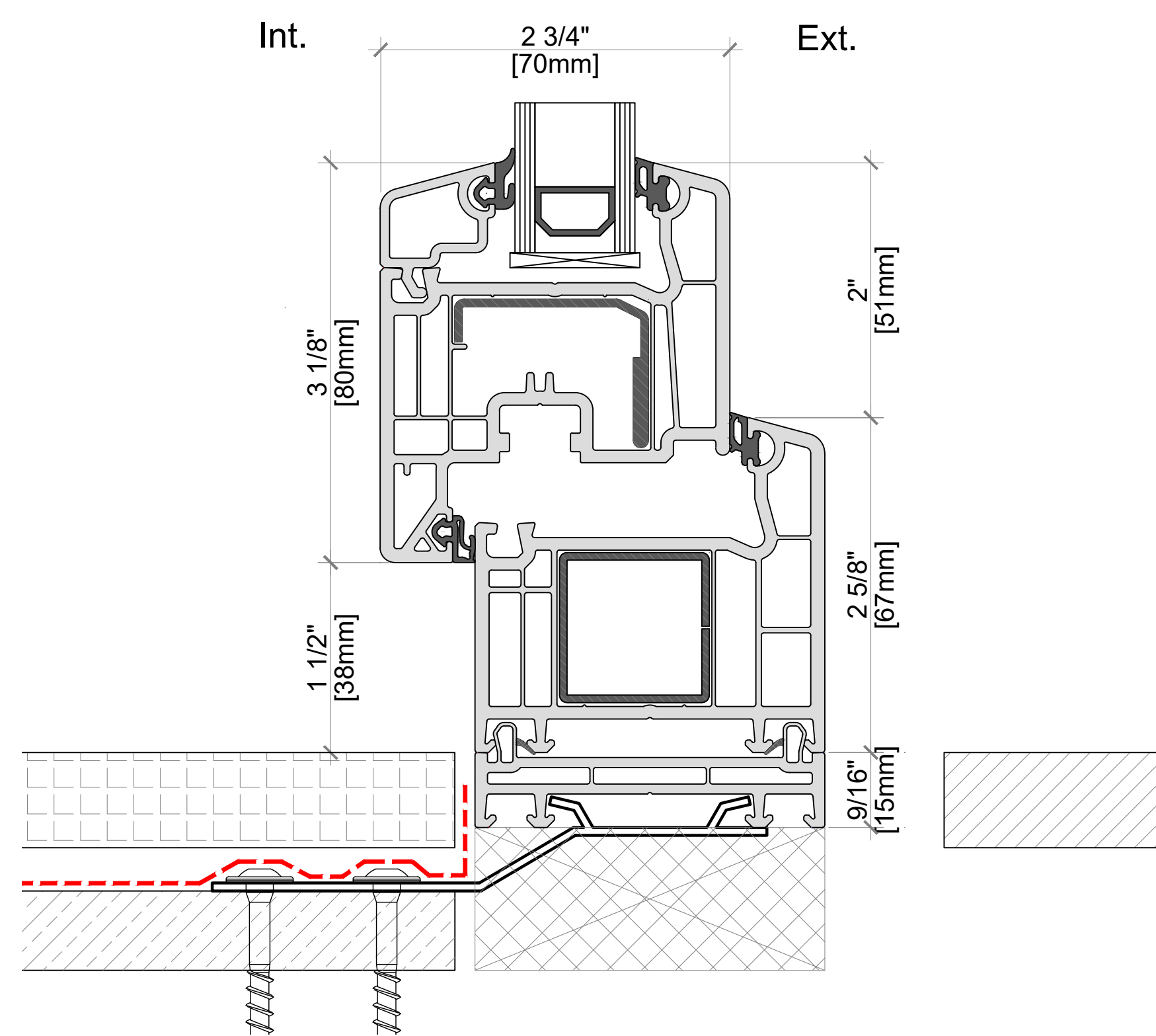
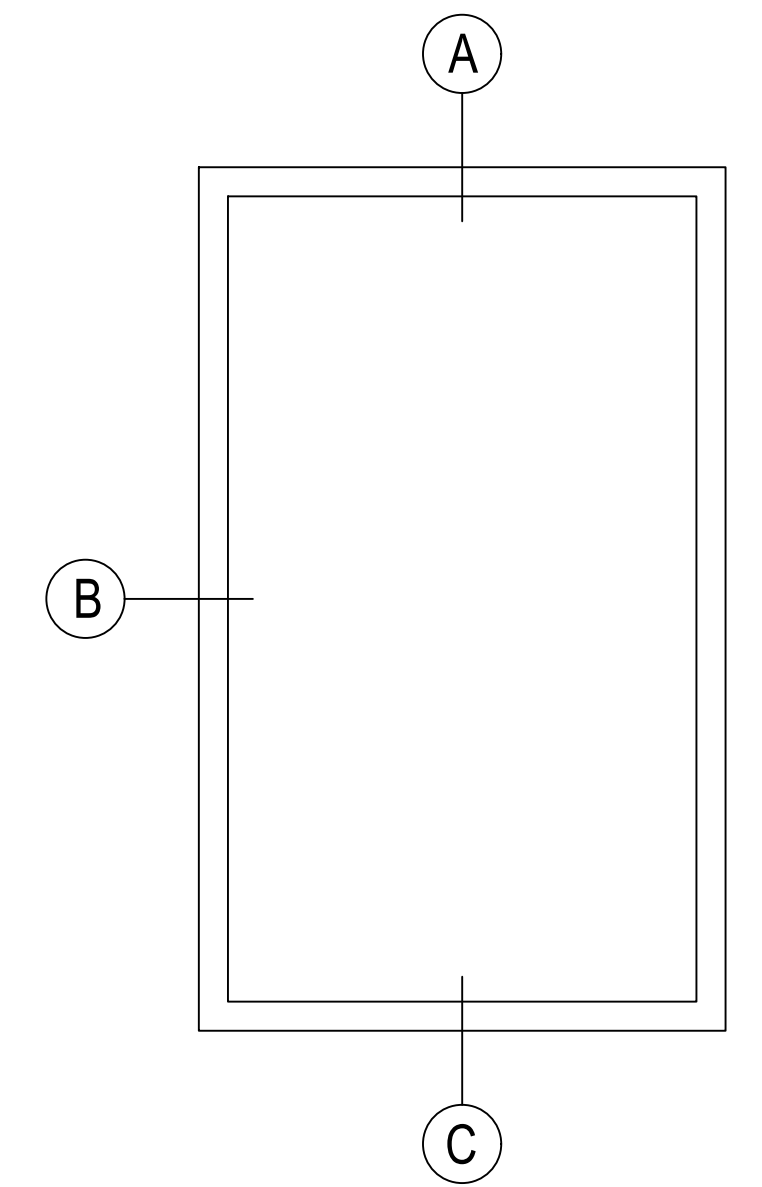


3A 82mm Balcony Door Head Detail
DG-02 SCALE: 8" = 1'-0"

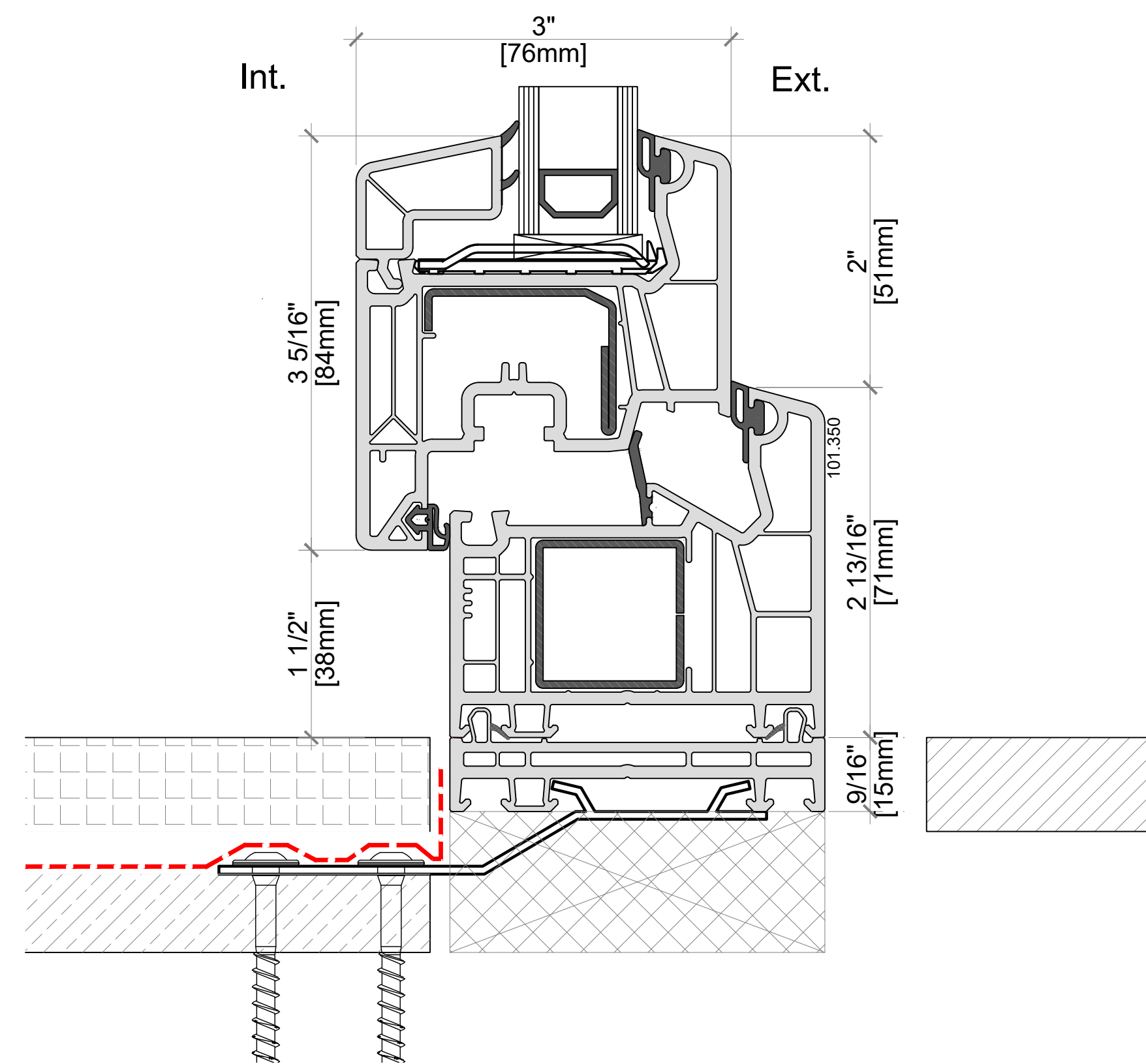


3B 82mm Balcony Door Jamb Detail
DG-02 SCALE: 8" = 1'-0"

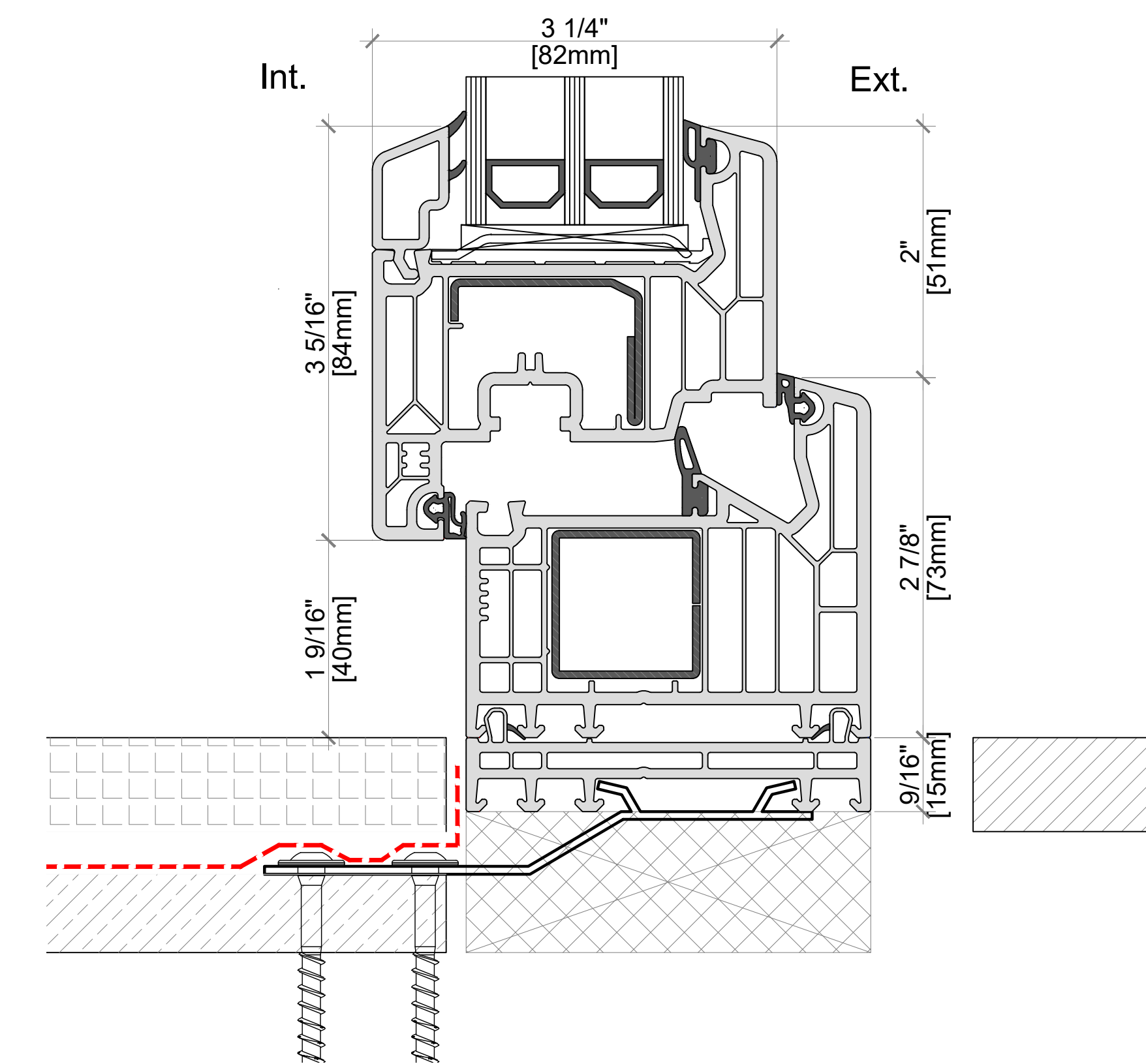
Elevation key:



1C 70mm Balcony Door Sill Detail
DG-02 SCALE: 15" = 1'-0"



2C 76mm Balcony Door Sill Detail
DG-02 SCALE: 15" = 1'-0"



3C 82mm Balcony Door Sill Detail
DG-02 SCALE: 15" = 1'-0"

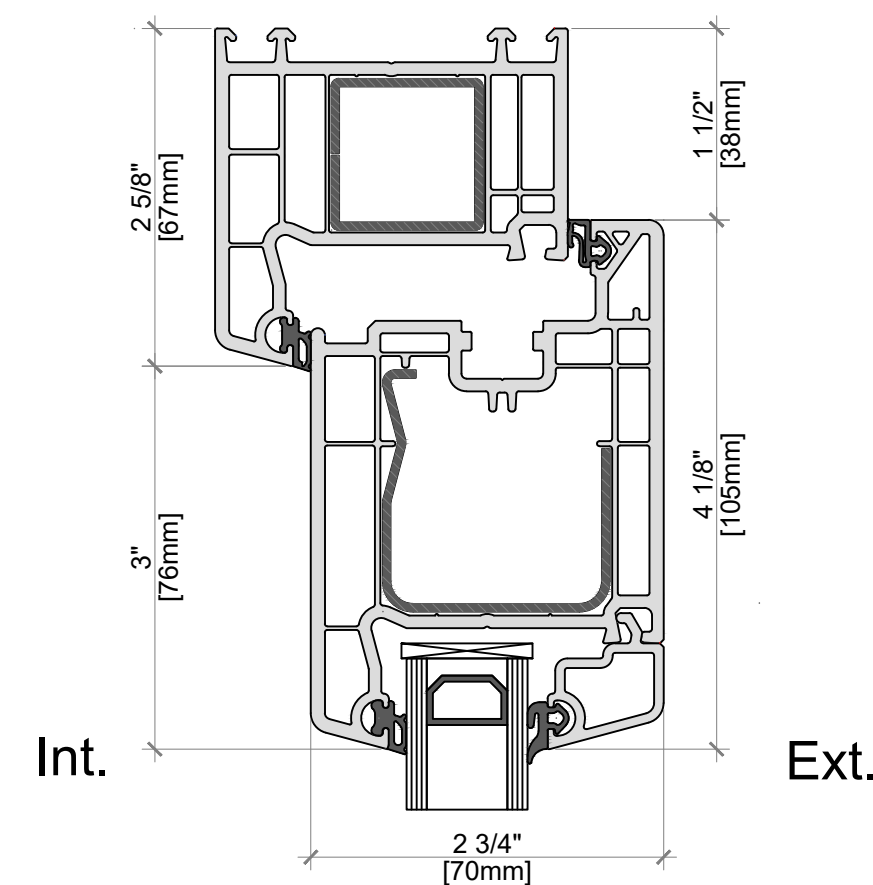
Note: Profiles Available in Double & Triple Glazed

Softline PVC Inswing Door Profiles

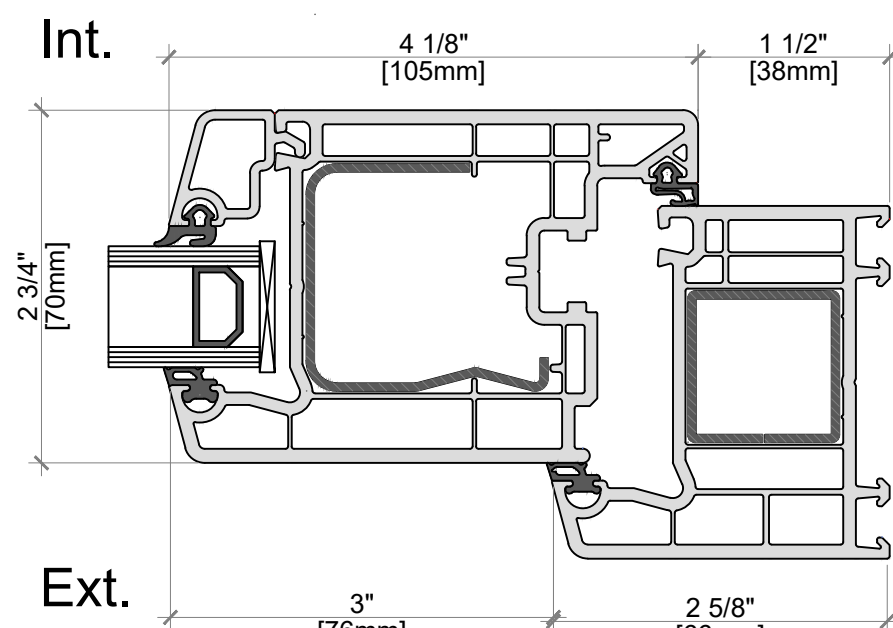
Patio Door Profiles - 70mm, 76mm & 82mm

A M B E R L I N E

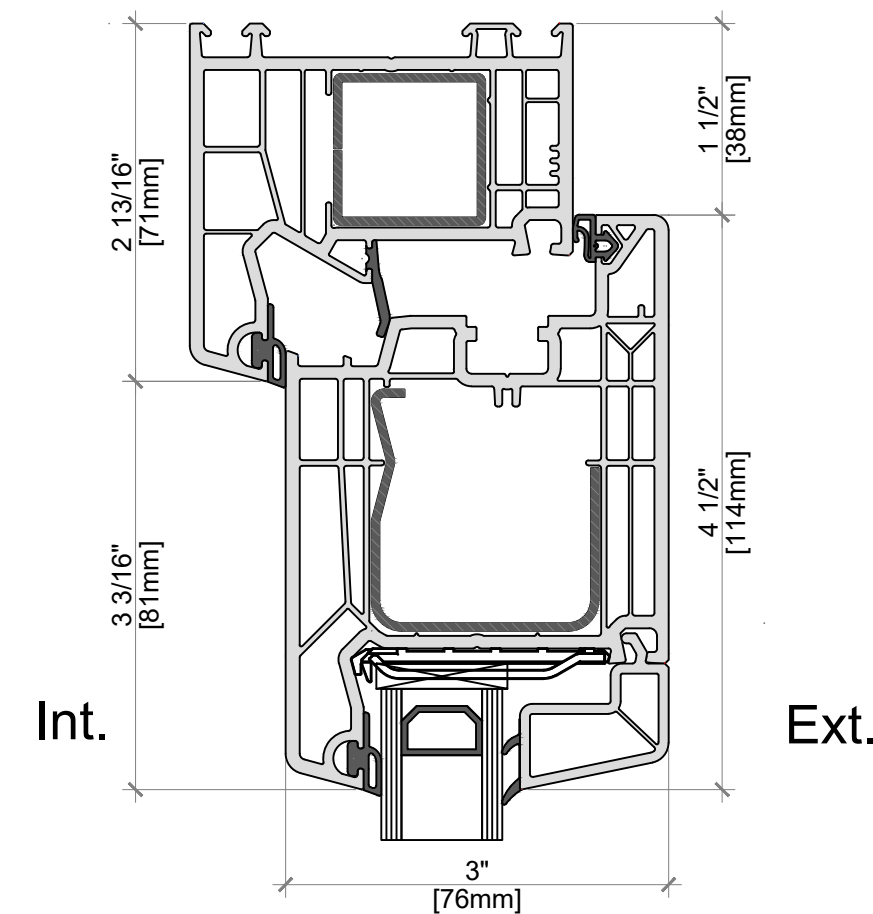
HIGH PERFORMANCE WINDOWS AND DOORS



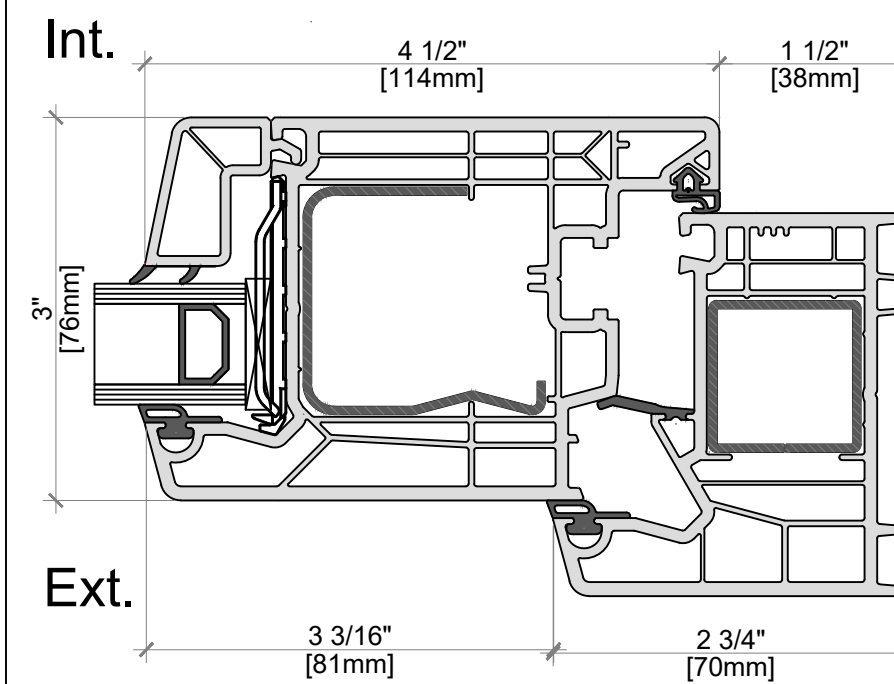
1A 70mm Patio Door Head Detail
DG-03 SCALE: 8" = 1'-0"



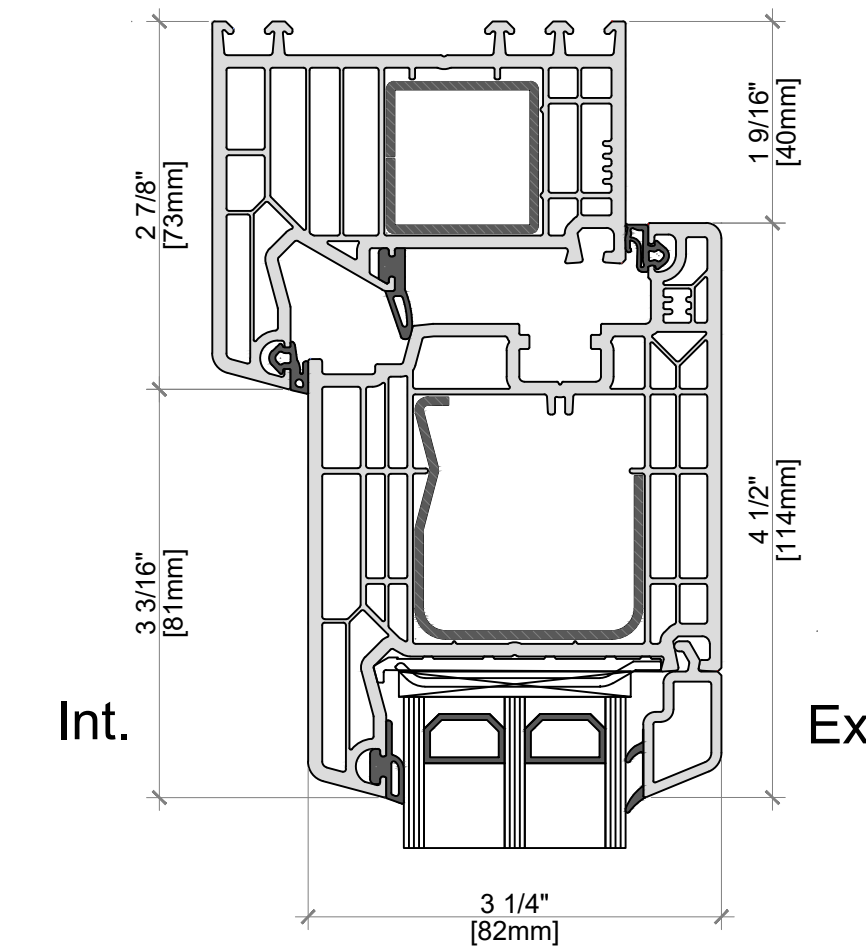
1B 70mm Patio Door Jamb Detail
DG-03 SCALE: 8" = 1'-0"



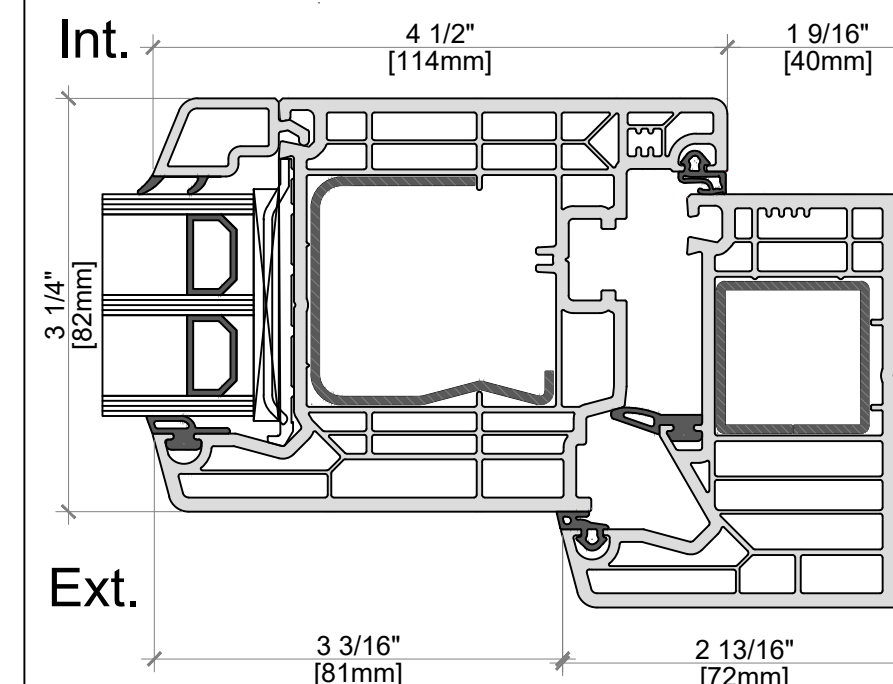
2A 76mm Patio Door Head Detail
DG-03 SCALE: 8" = 1'-0"



2B 76mm Patio Door Jamb Detail
DG-03 SCALE: 8" = 1'-0"

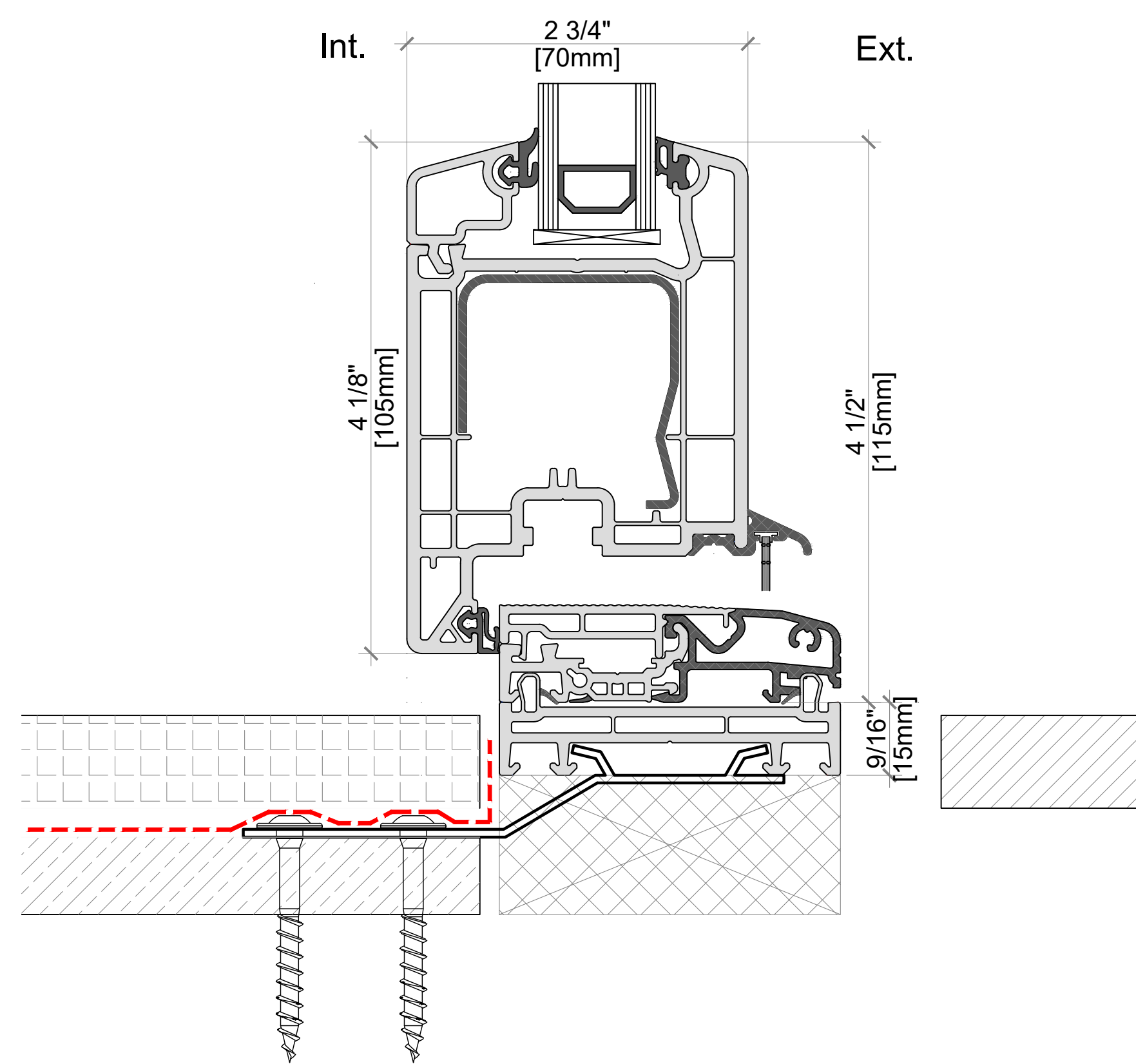
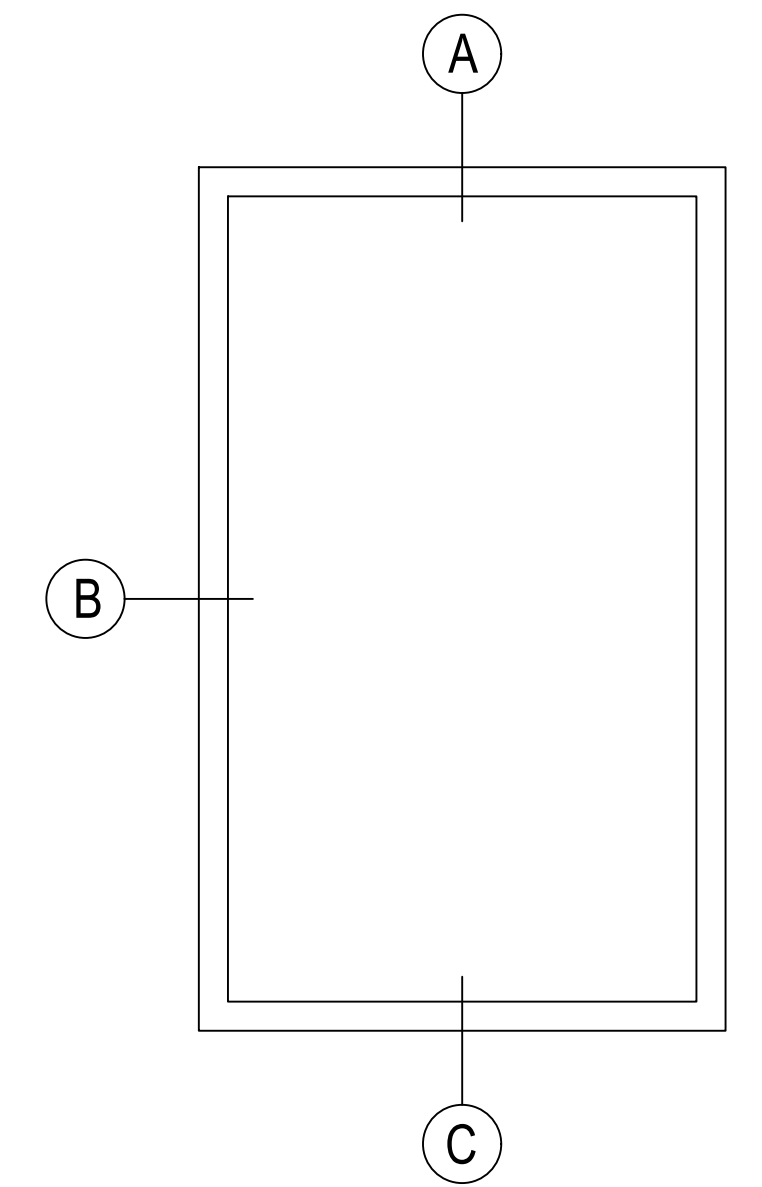


3A 82mm Patio Door Head Detail
DG-03 SCALE: 8" = 1'-0"

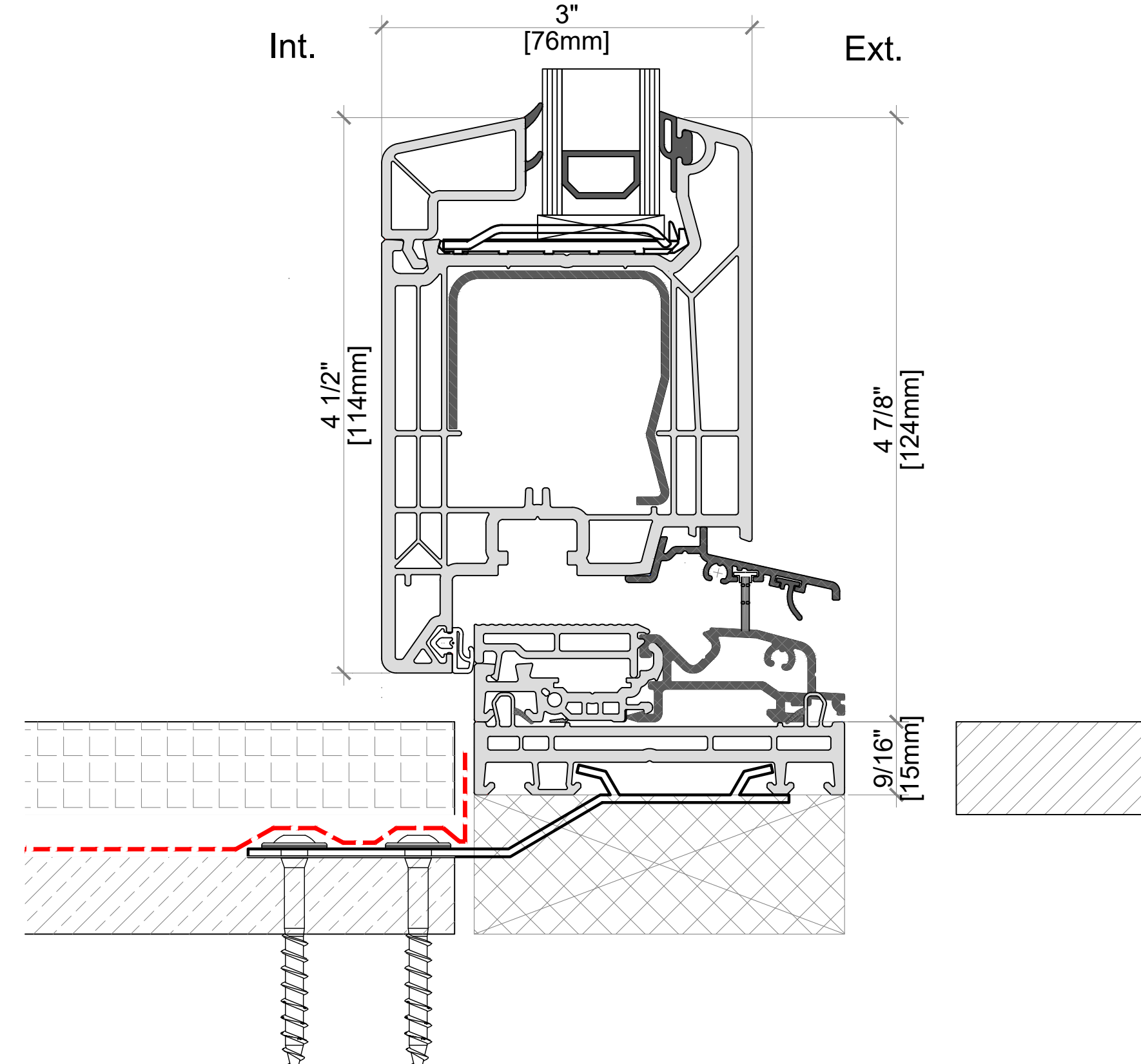


3B 82mm Patio Door Jamb Detail
DG-03 SCALE: 8" = 1'-0"

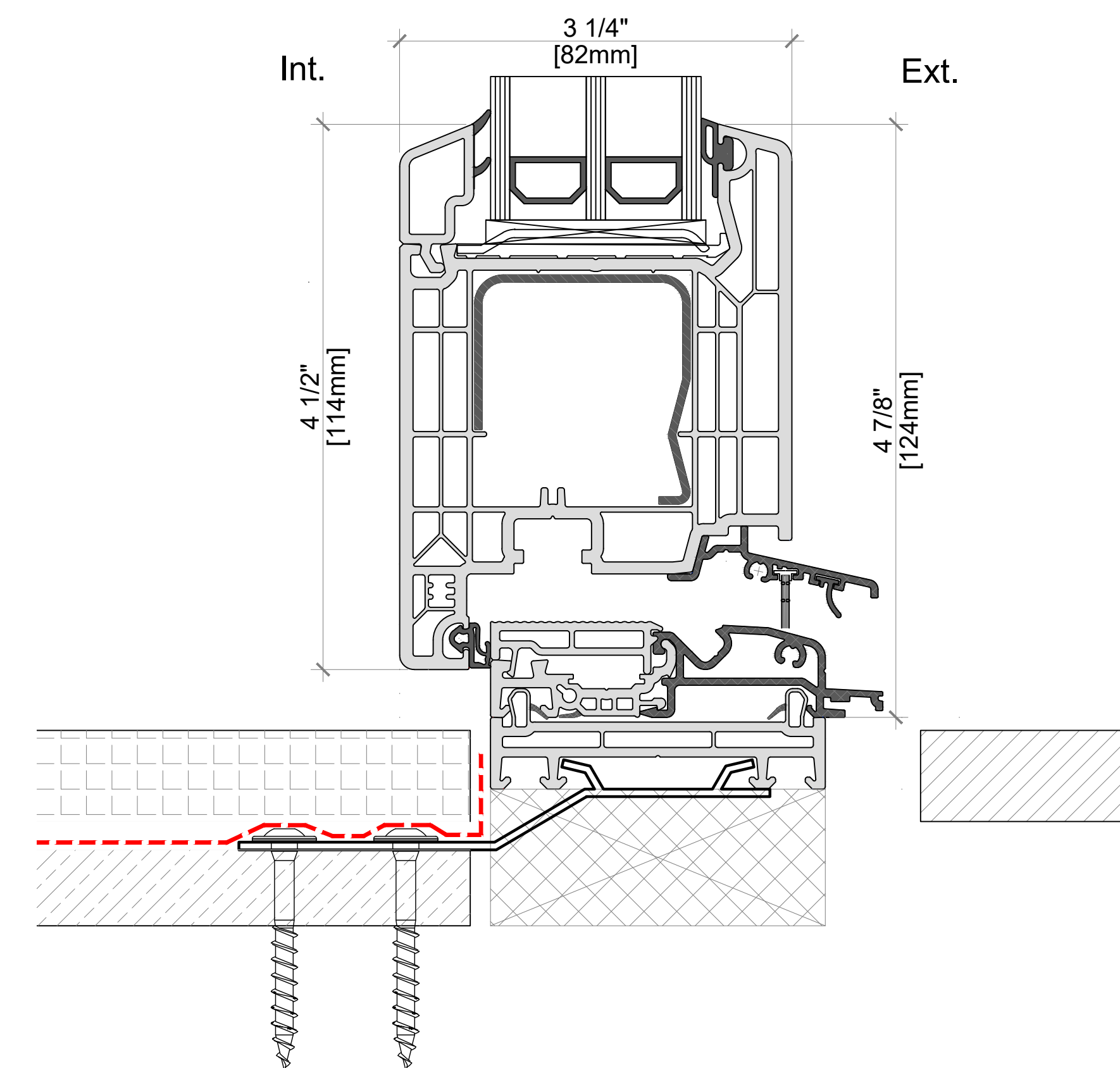
Elevation key:



1C 70mm Patio Door Sill Detail
DG-03 SCALE: 12" = 1'-0"



2C 76mm Patio Door Sill Detail
DG-03 SCALE: 12" = 1'-0"



1C 82mm Patio Door Sill Detail
DG-03 SCALE: 12" = 1'-0"

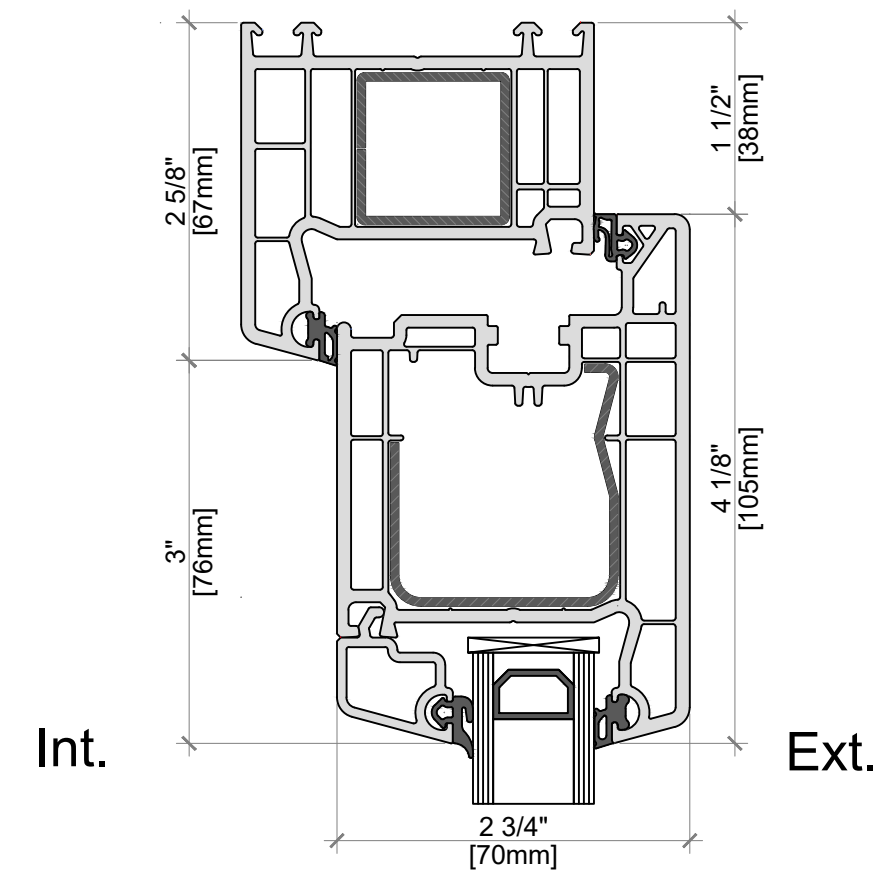
Note: Profiles Available in Double & Triple Glazed

Softline PVC Outswing Door Profiles

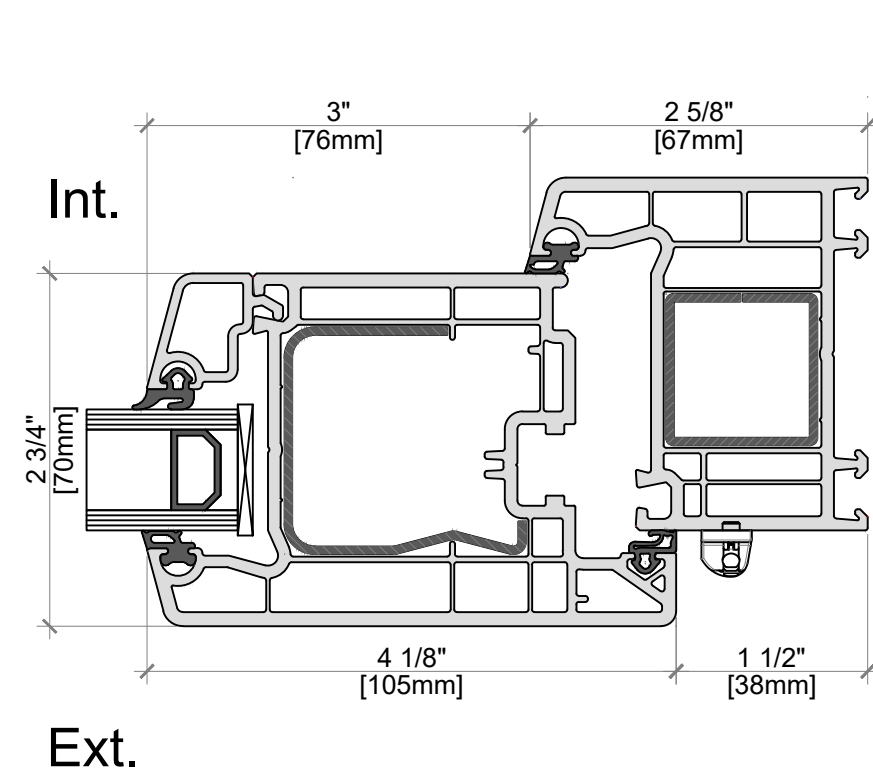
Patio Door Profiles - 70mm, 76mm & 82mm

A M B E R L I N E

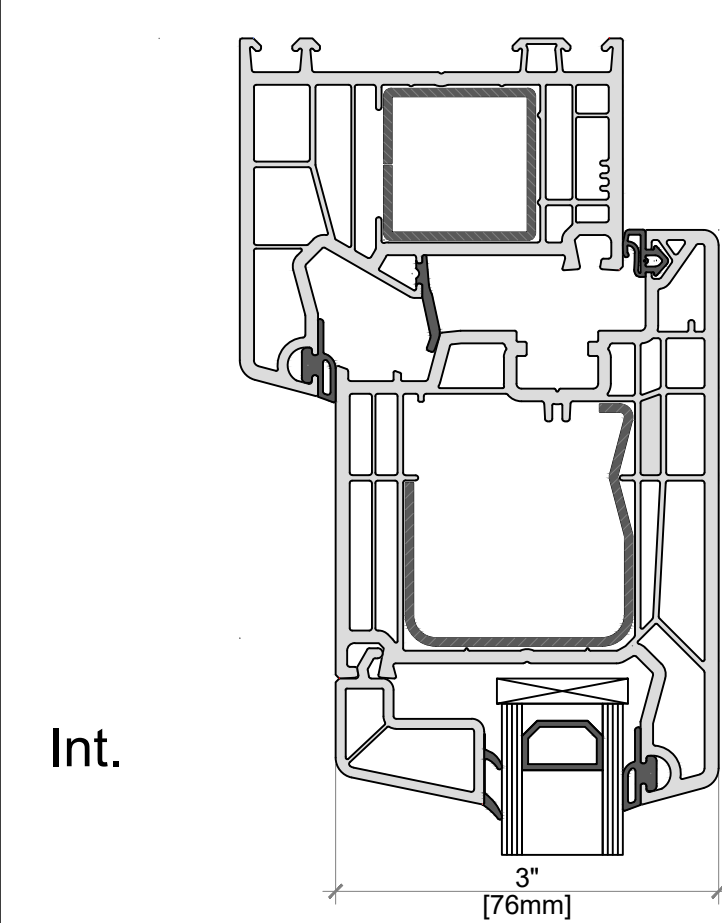
HIGH PERFORMANCE WINDOWS AND DOORS



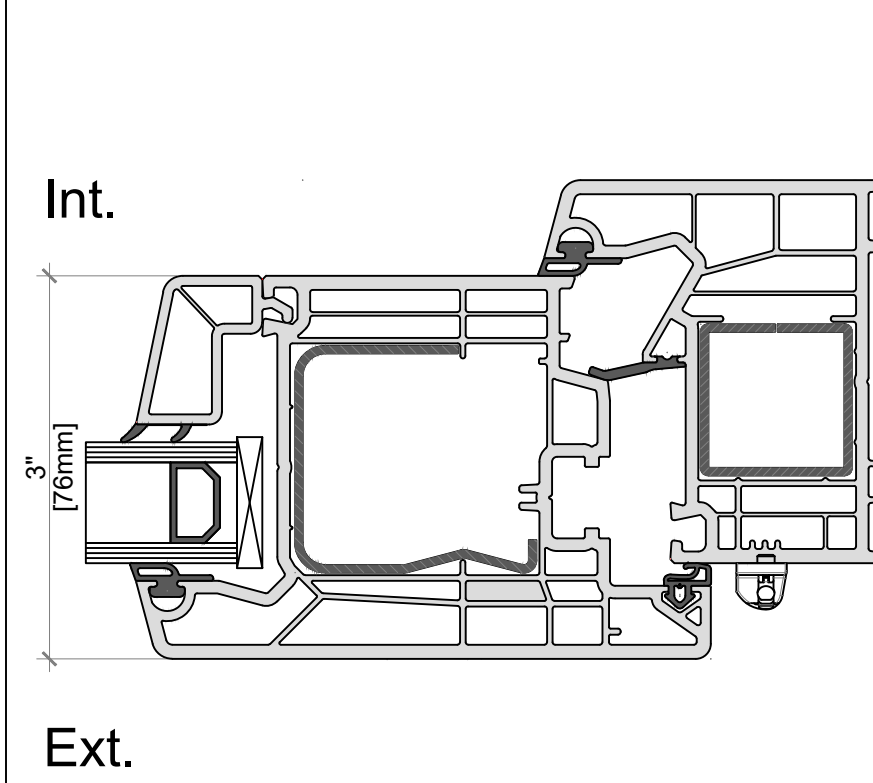
1A 70mm Patio Door Head Detail
DG-03 SCALE: 8" = 1'-0"



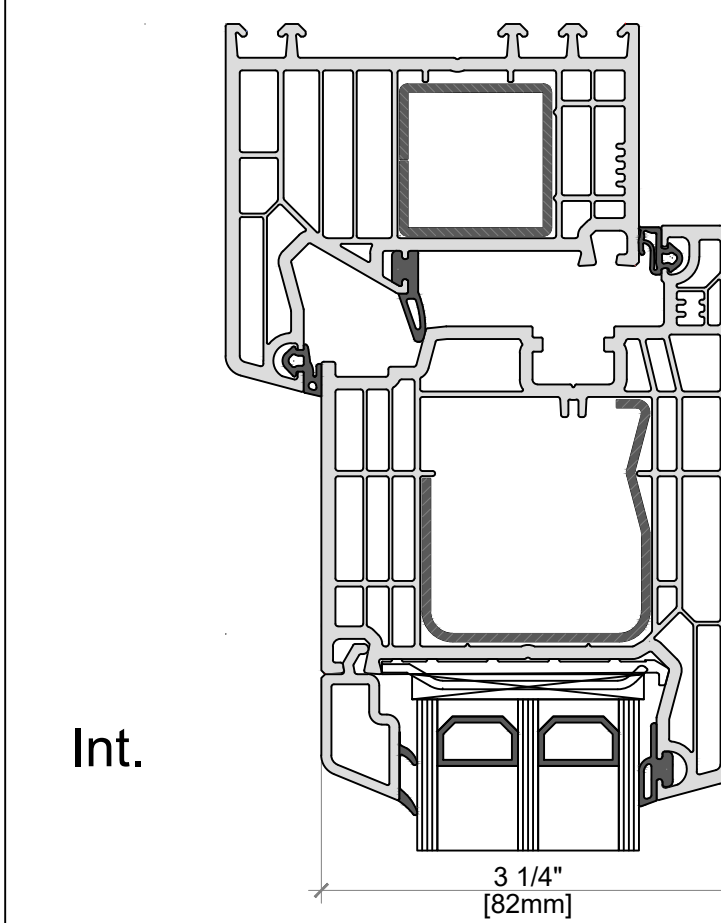
1B 70mm Patio Door Jamb Detail
DG-03 SCALE: 8" = 1'-0"



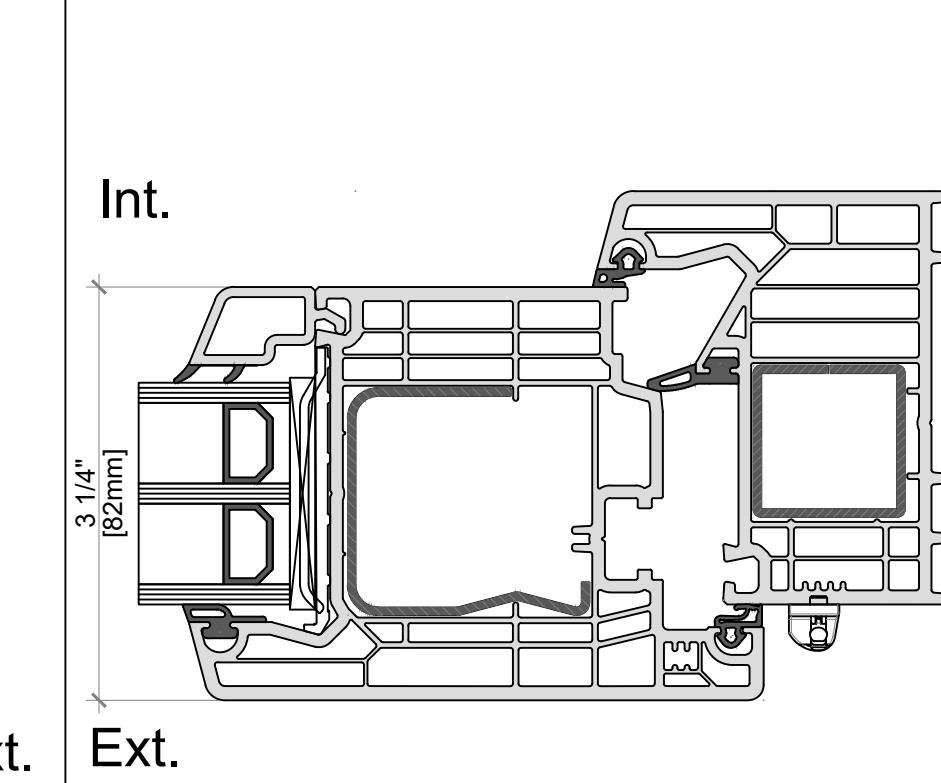
2A 76mm Patio Door Head Detail
DG-03 SCALE: 8" = 1'-0"



2B 76mm Patio Door Jamb Detail
DG-03 SCALE: 8" = 1'-0"

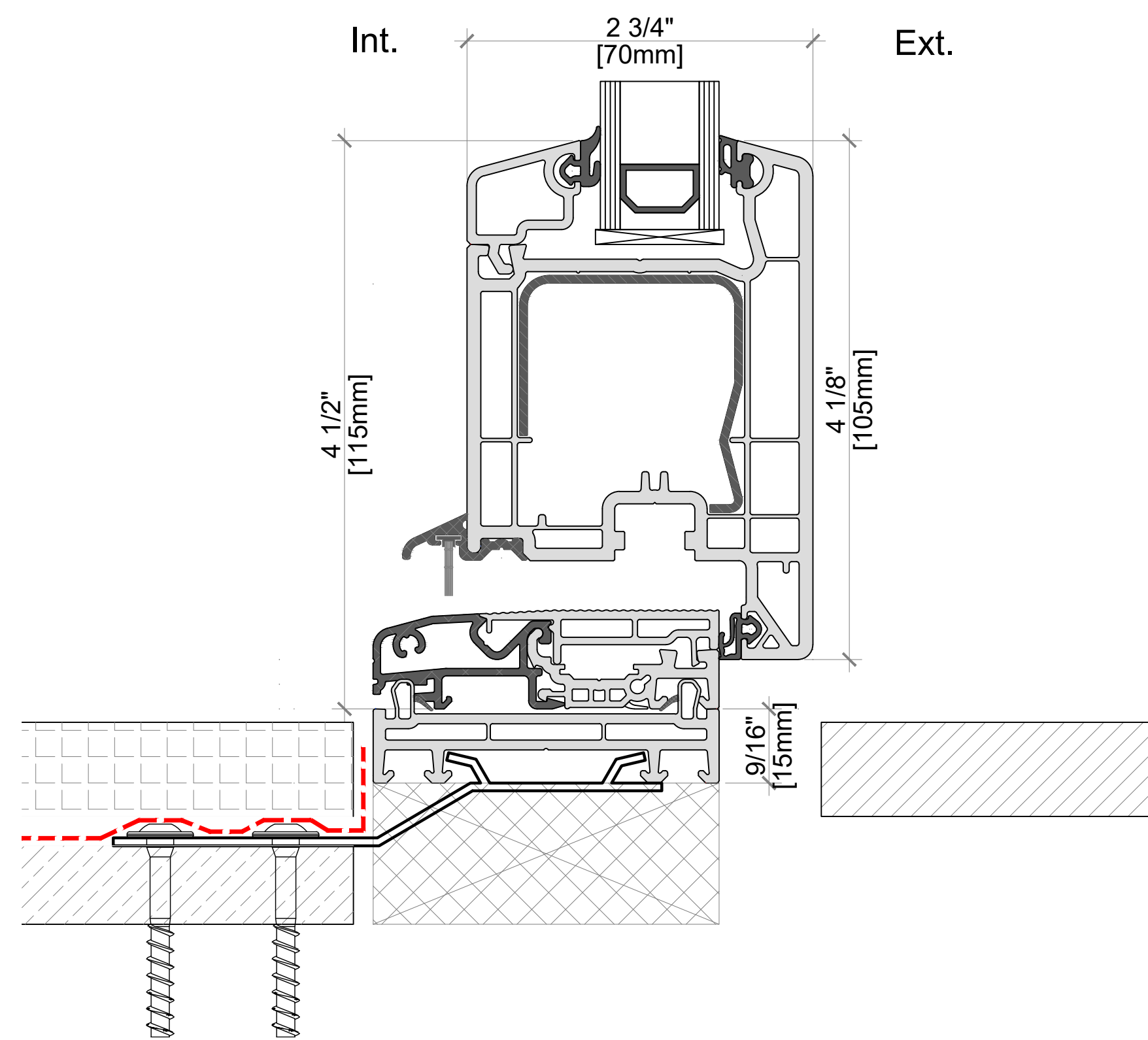
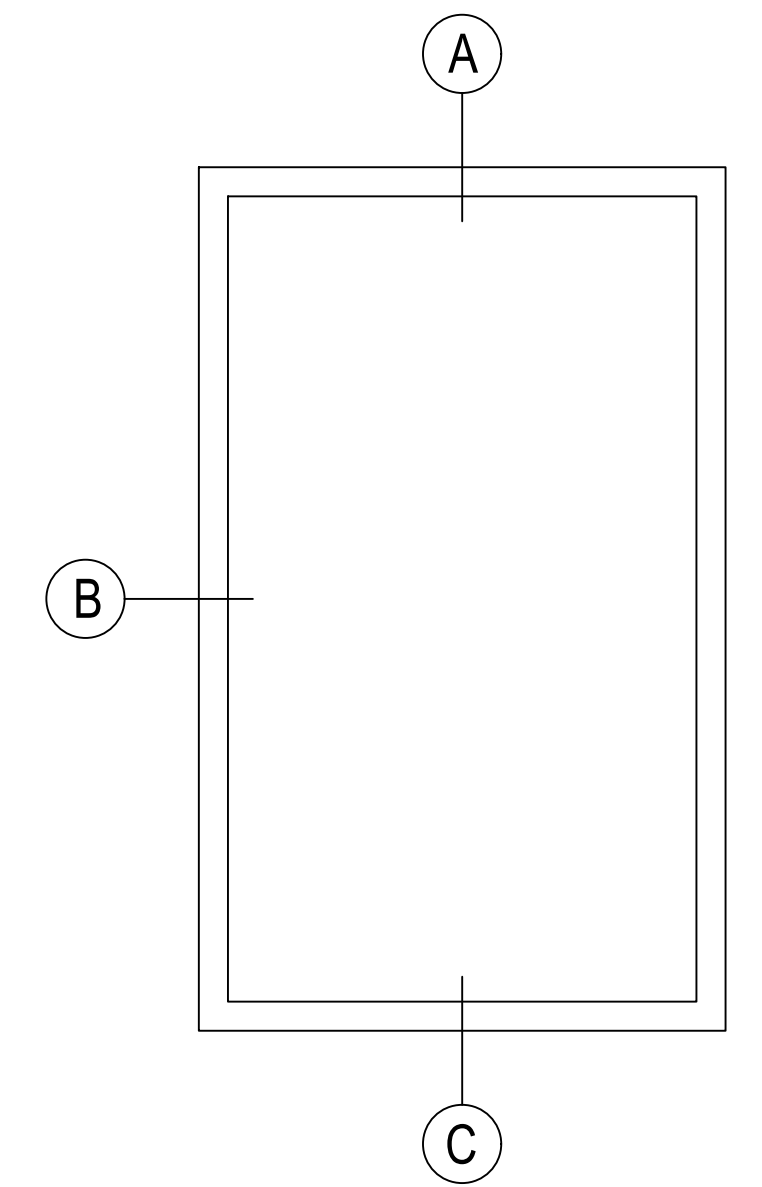


3A 82mm Patio Door Head Detail
DG-03 SCALE: 8" = 1'-0"

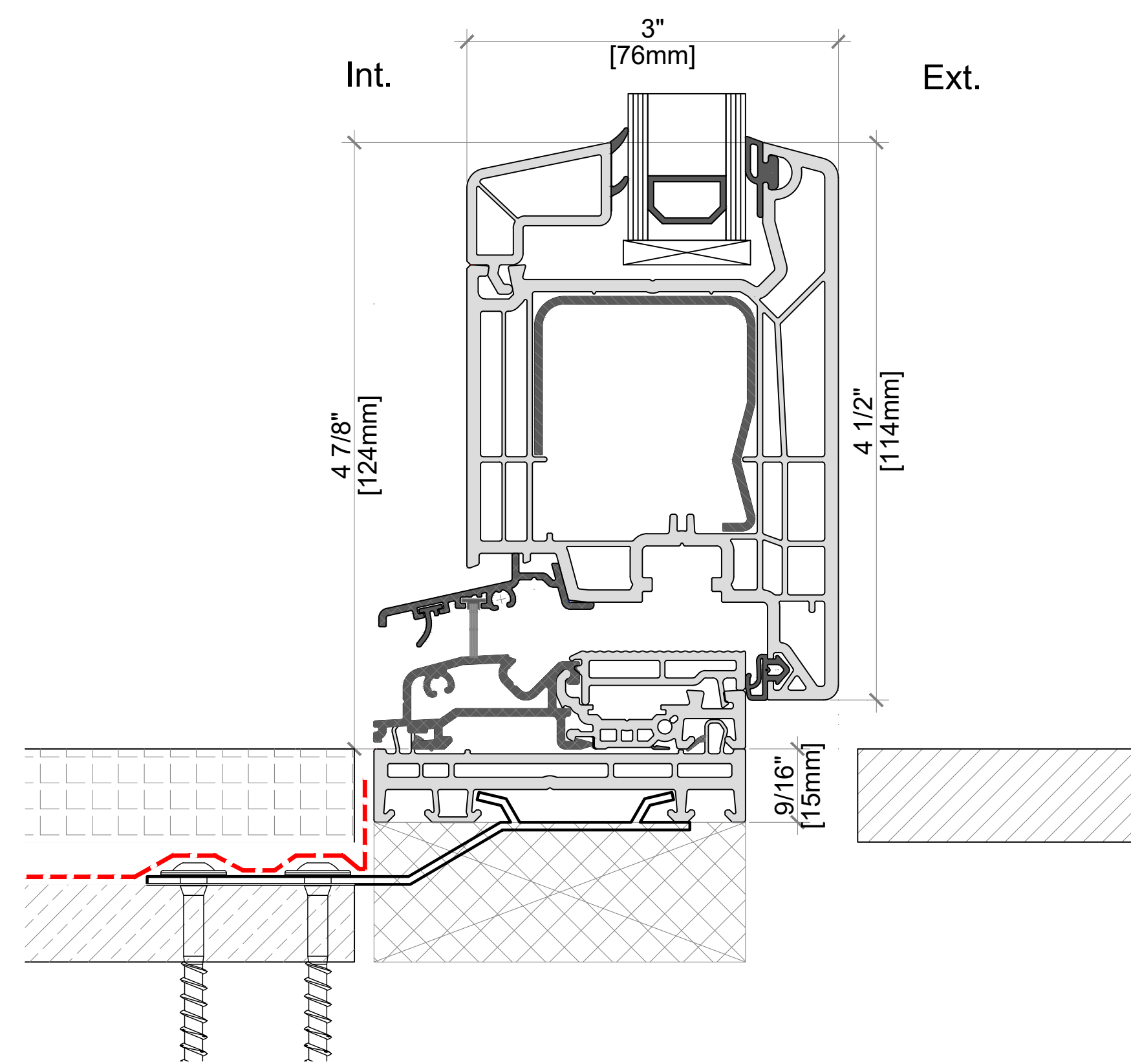


3B 82mm Patio Door Jamb Detail
DG-03 SCALE: 8" = 1'-0"

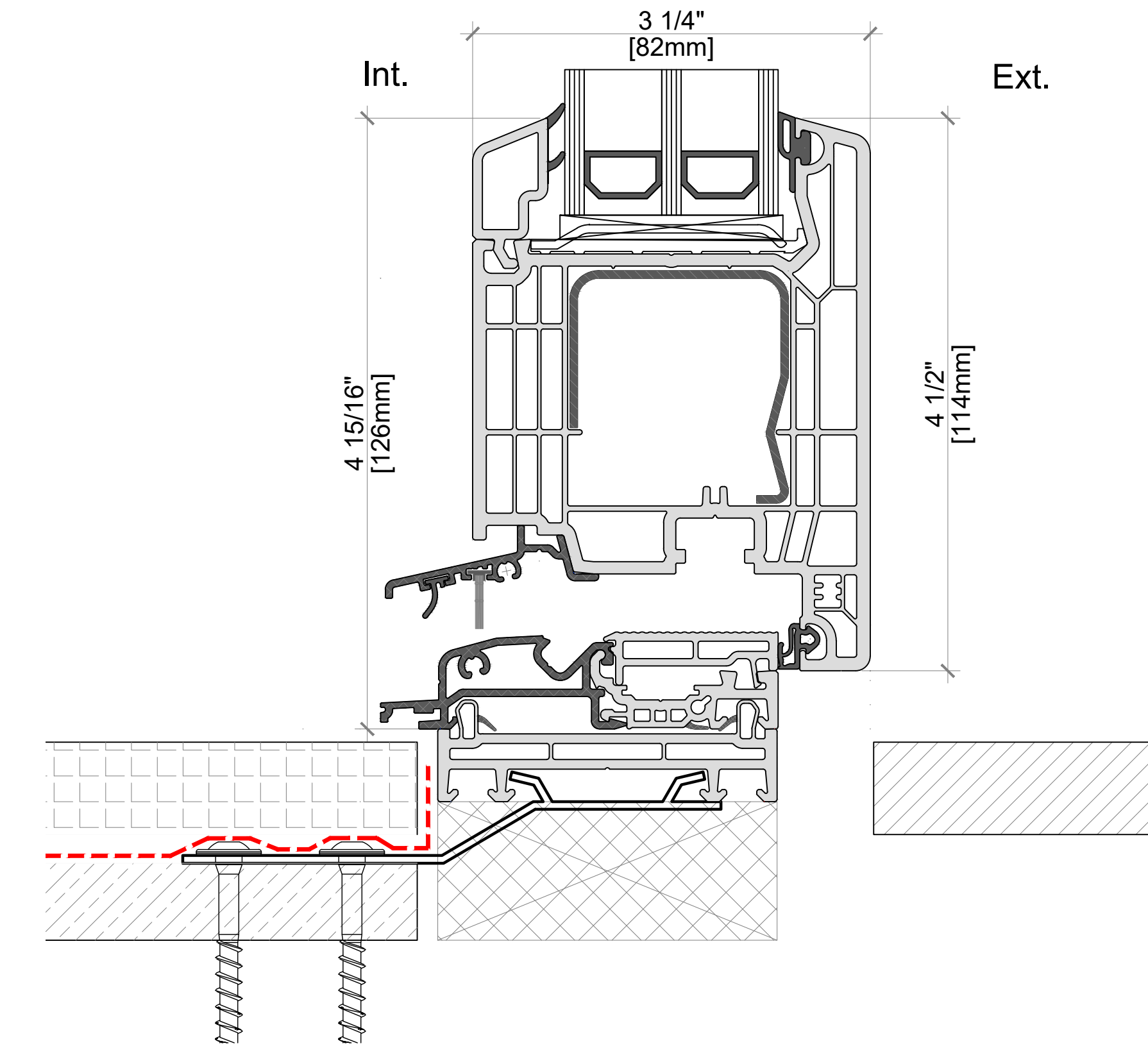
Elevation key:



1C 70mm Patio Door Sill Detail
DG-03 SCALE: 12" = 1'-0"



2C 76mm Patio Door Sill Detail
DG-03 SCALE: 12" = 1'-0"



1C 82mm Patio Door Sill Detail
DG-03 SCALE: 12" = 1'-0"

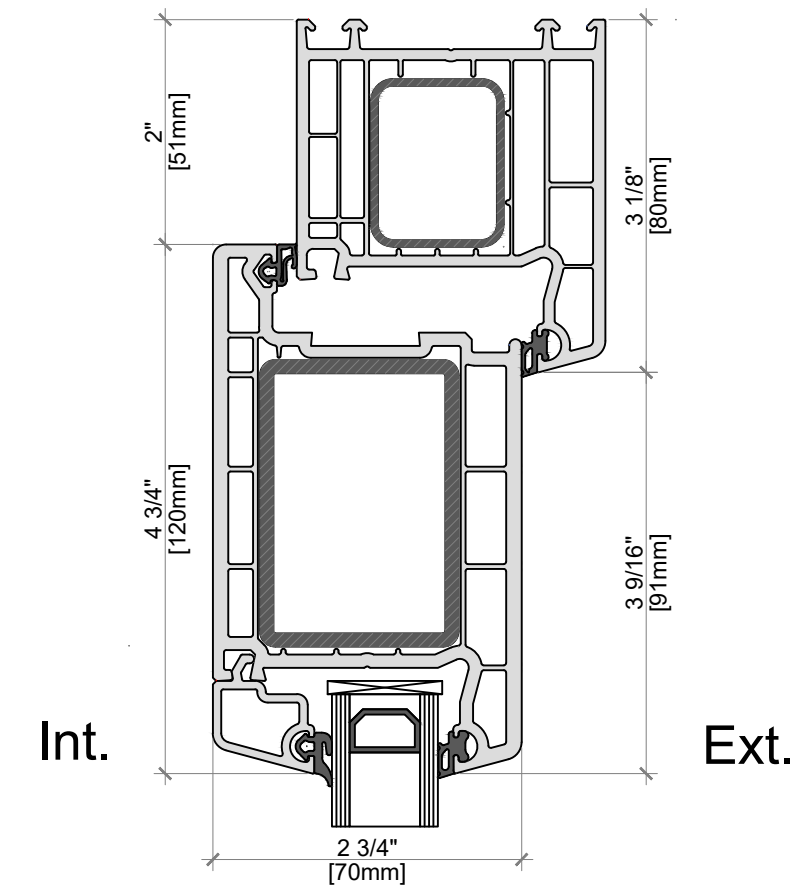
Note: Profiles Available in Double & Triple Glazed

Softline PVC Inswing Door Profiles

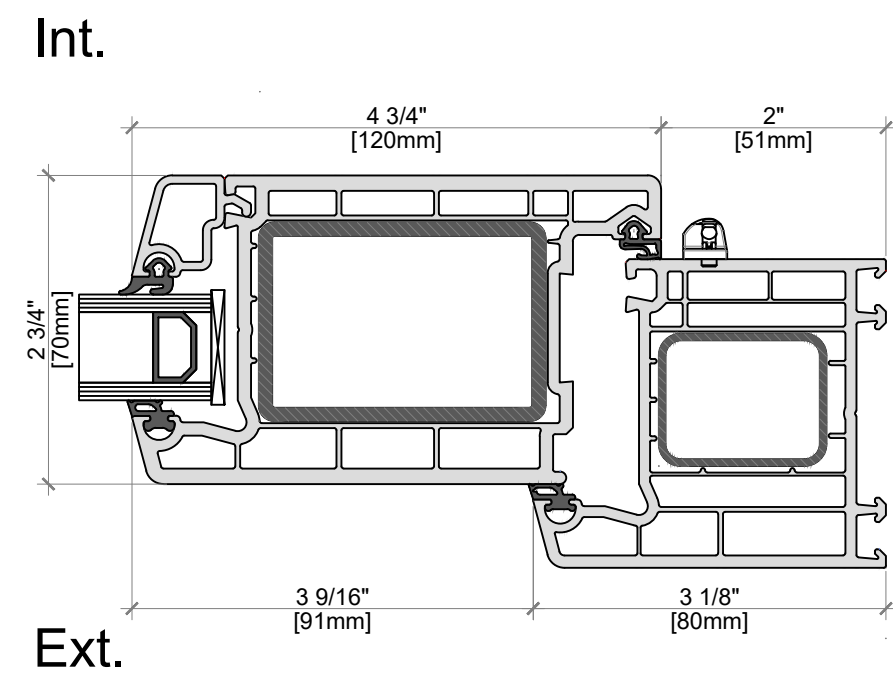
Entry Door Profiles - 70mm, 76mm & 82mm

A M B E R L I N E

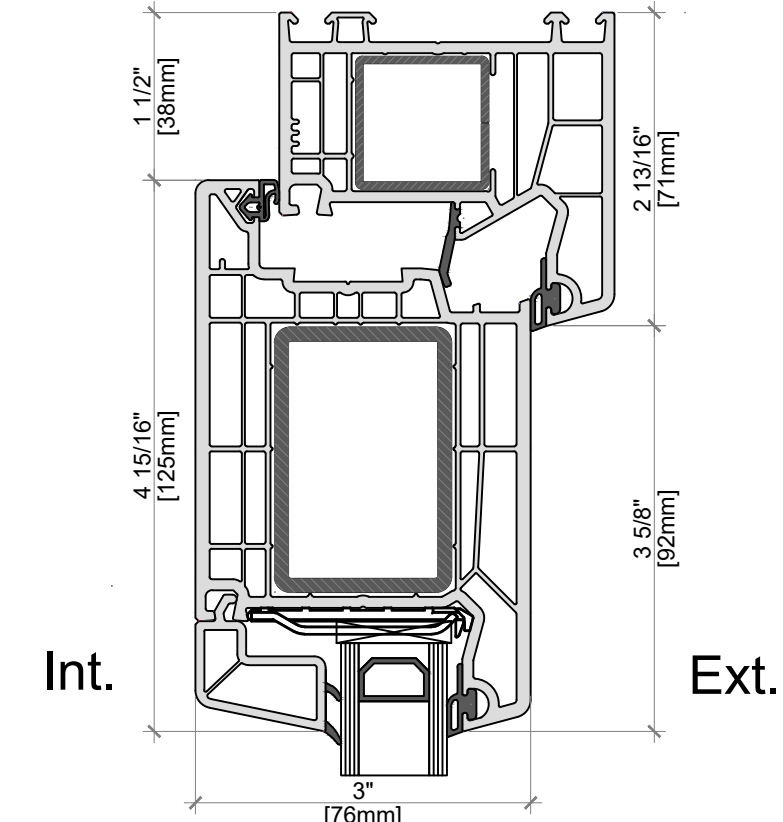
HIGH PERFORMANCE WINDOWS AND DOORS



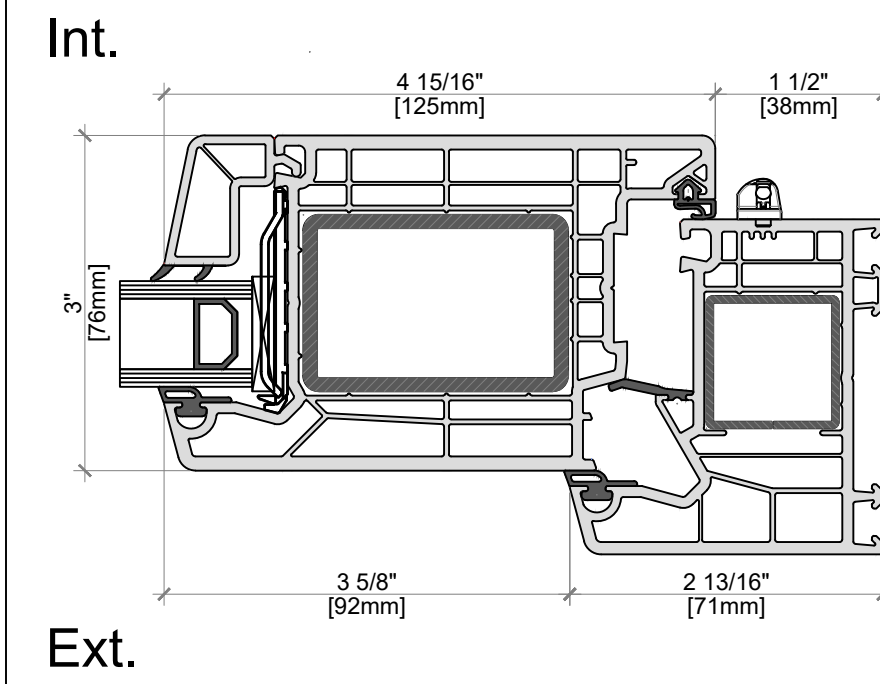
1A 70mm Entry Door Head Detail
DG-04 SCALE: 7" = 1'-0"



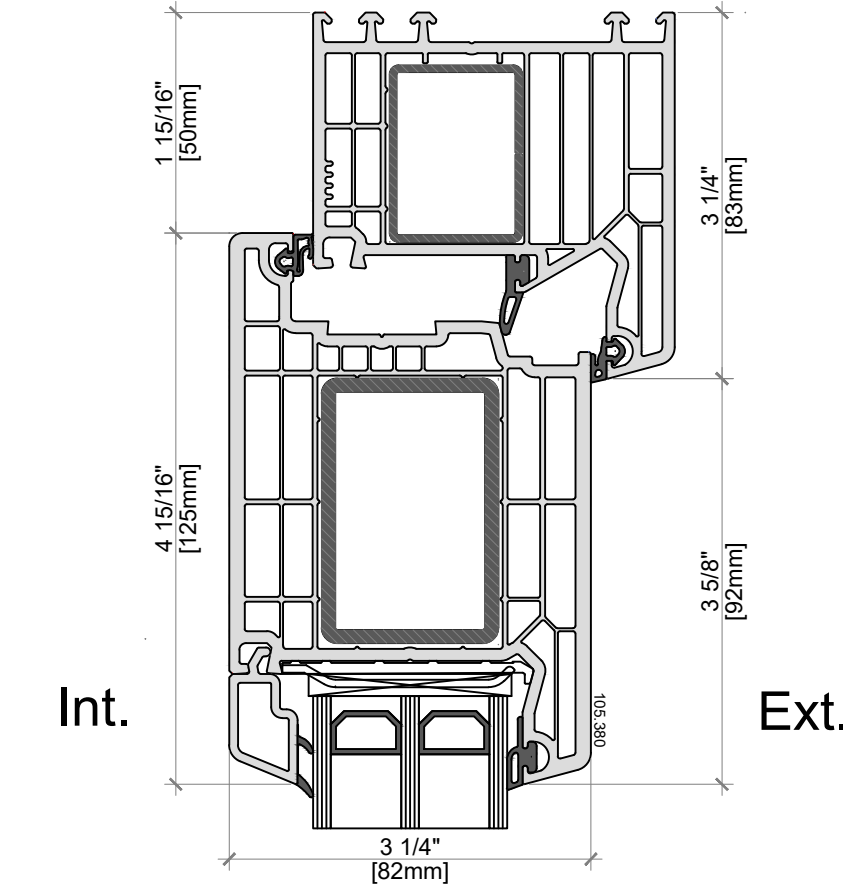
1B 70mm Entry Door Jamb Detail
DG-04 SCALE: 7" = 1'-0"



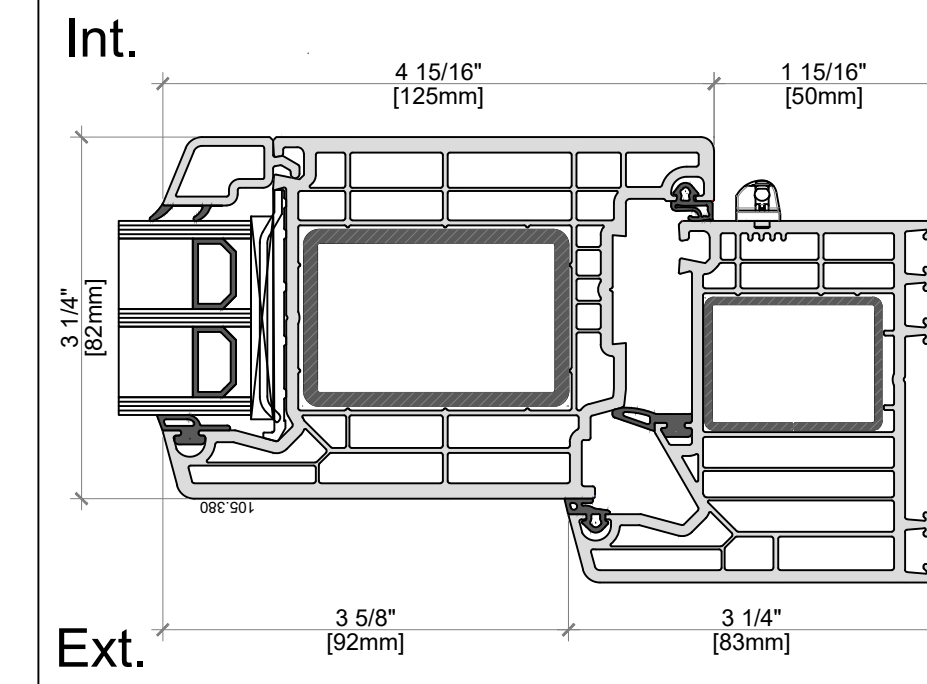
2A 76mm Entry Door Head Detail
DG-04 SCALE: 7" = 1'-0"



2B 76mm Entry Door Jamb Detail
DG-04 SCALE: 7" = 1'-0"

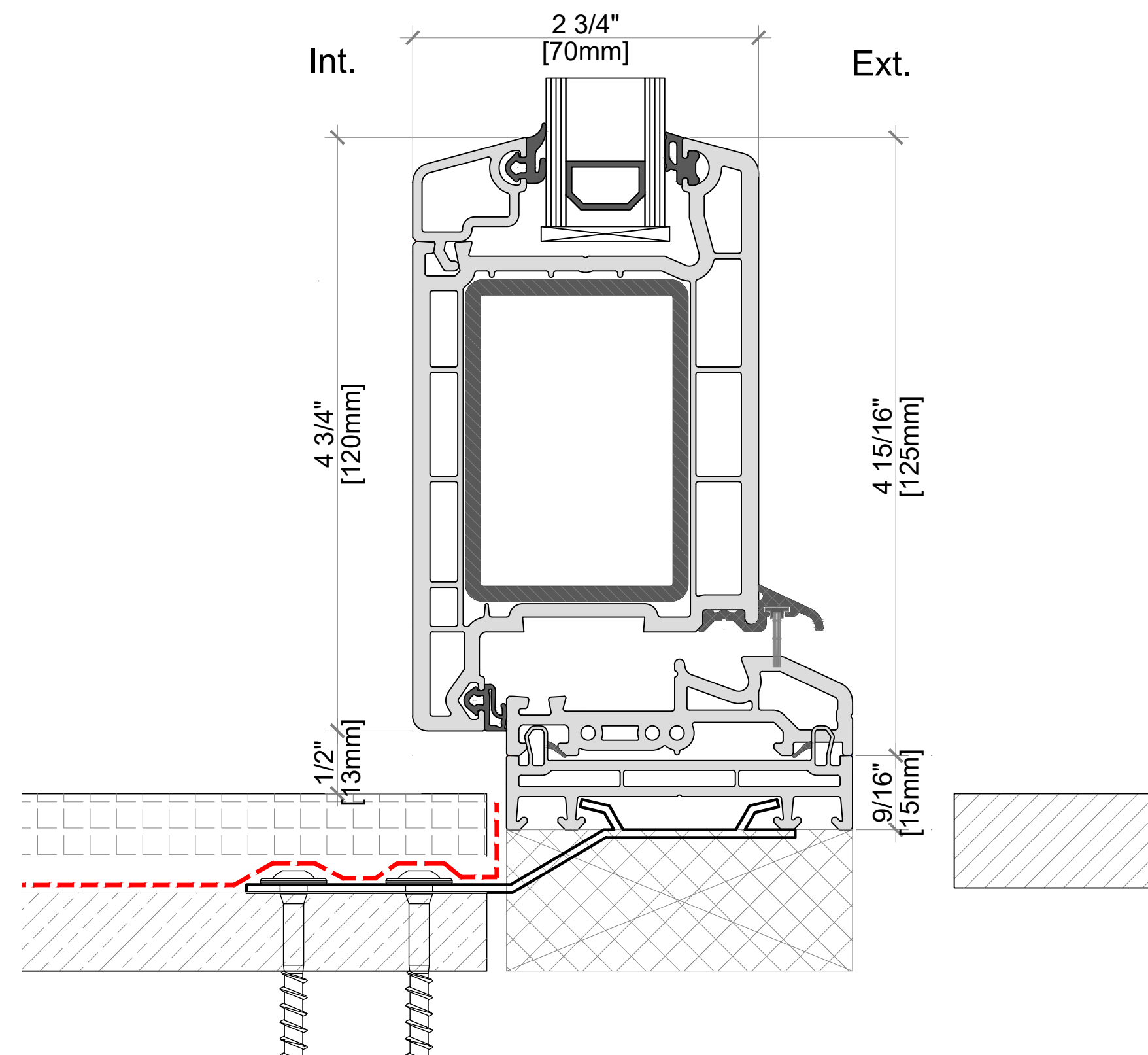
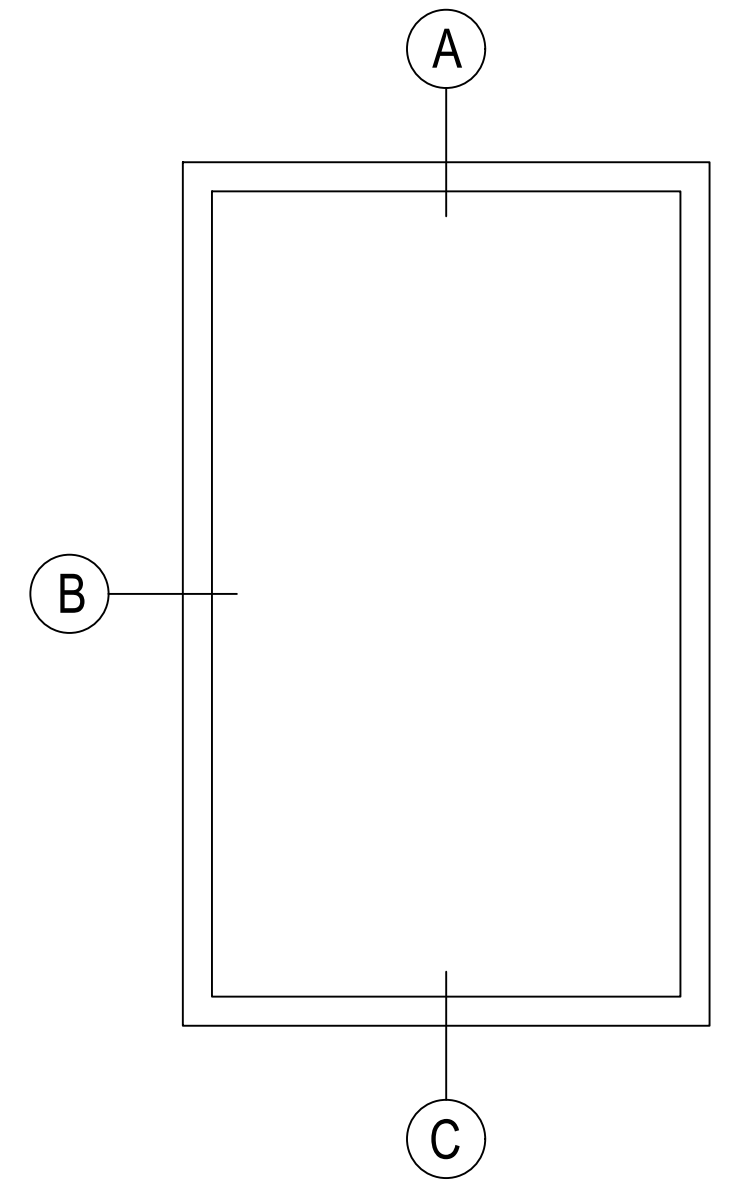


3A 82mm Entry Door Head Detail
DG-04 SCALE: 7" = 1'-0"

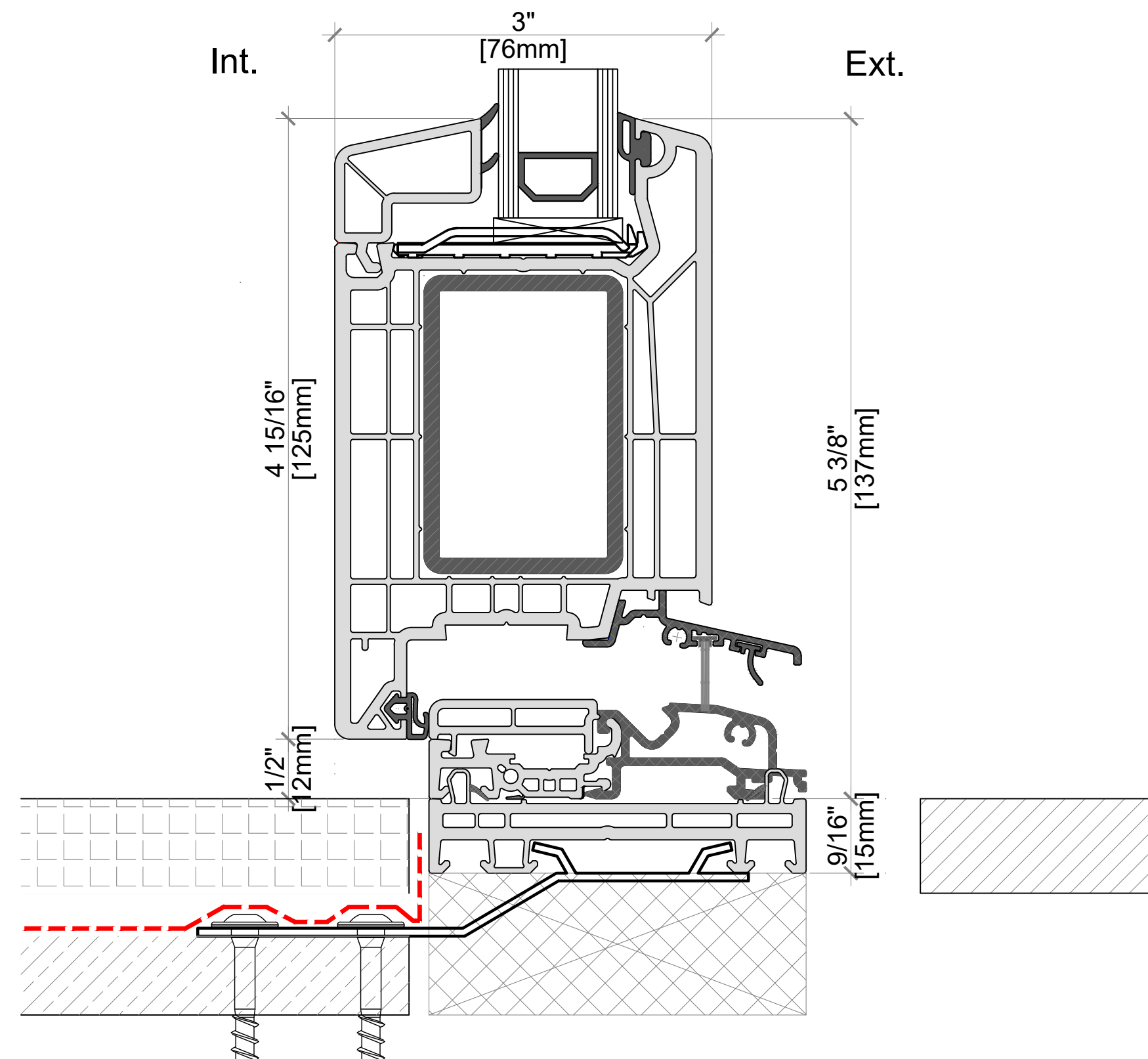


3B 82mm Entry Door Jamb Detail
DG-04 SCALE: 7" = 1'-0"

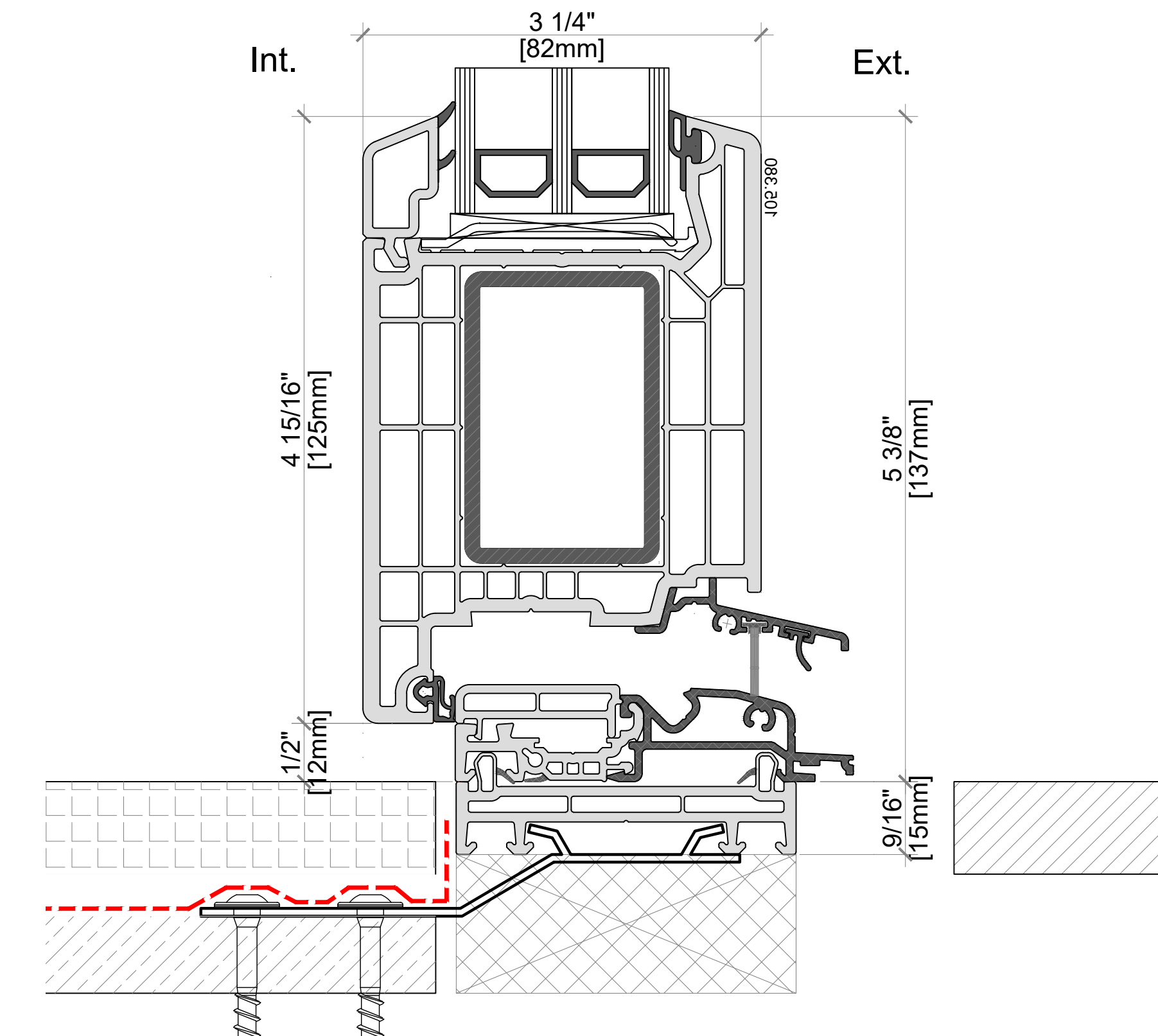
Elevation key:



1C 70mm Entry Door Sill Detail
DG-04 SCALE: 12" = 1'-0"



2C 76mm Entry Door Sill Detail
DG-04 SCALE: 12" = 1'-0"



3C 82mm Entry Door Sill Detail
DG-04 SCALE: 12" = 1'-0"

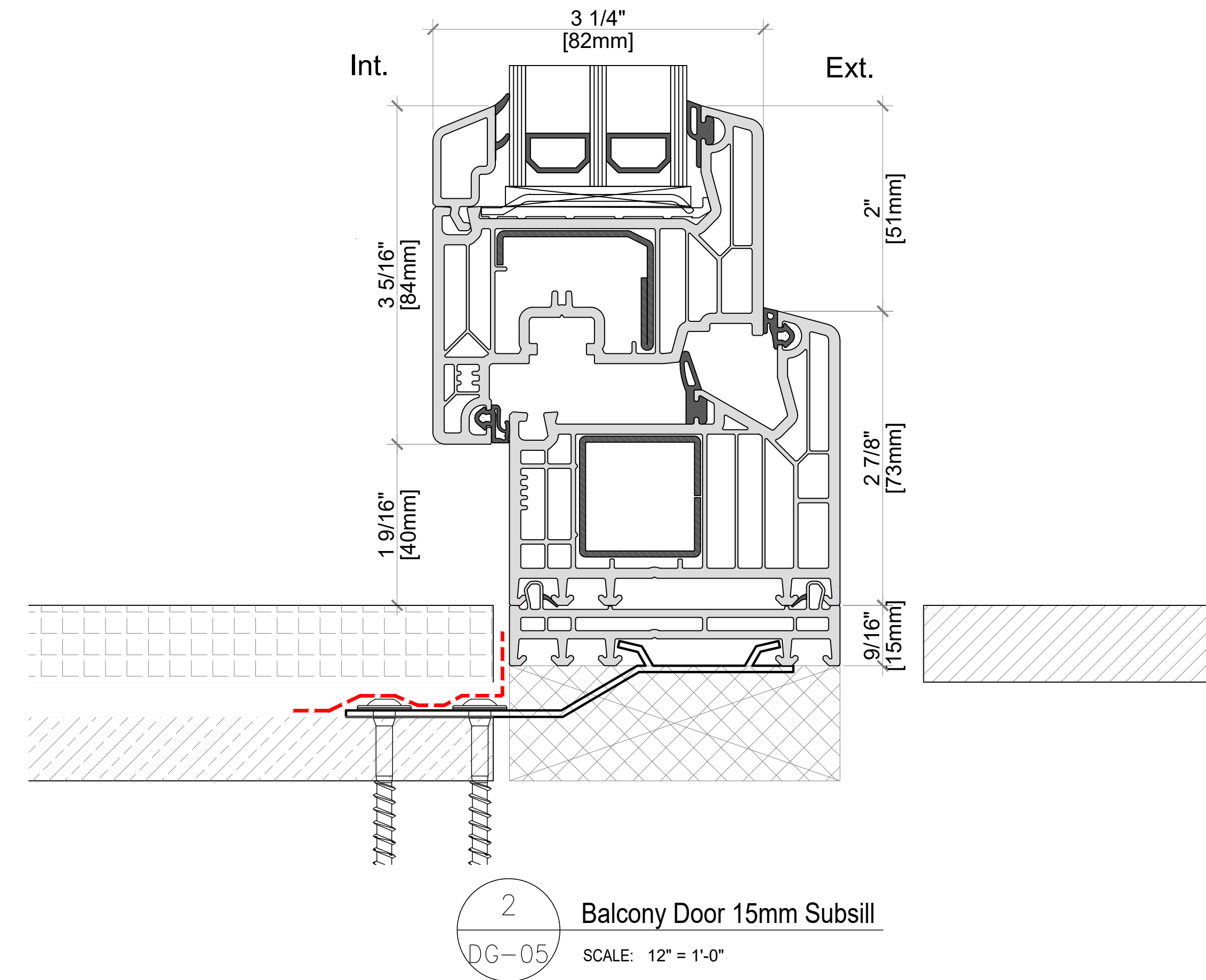
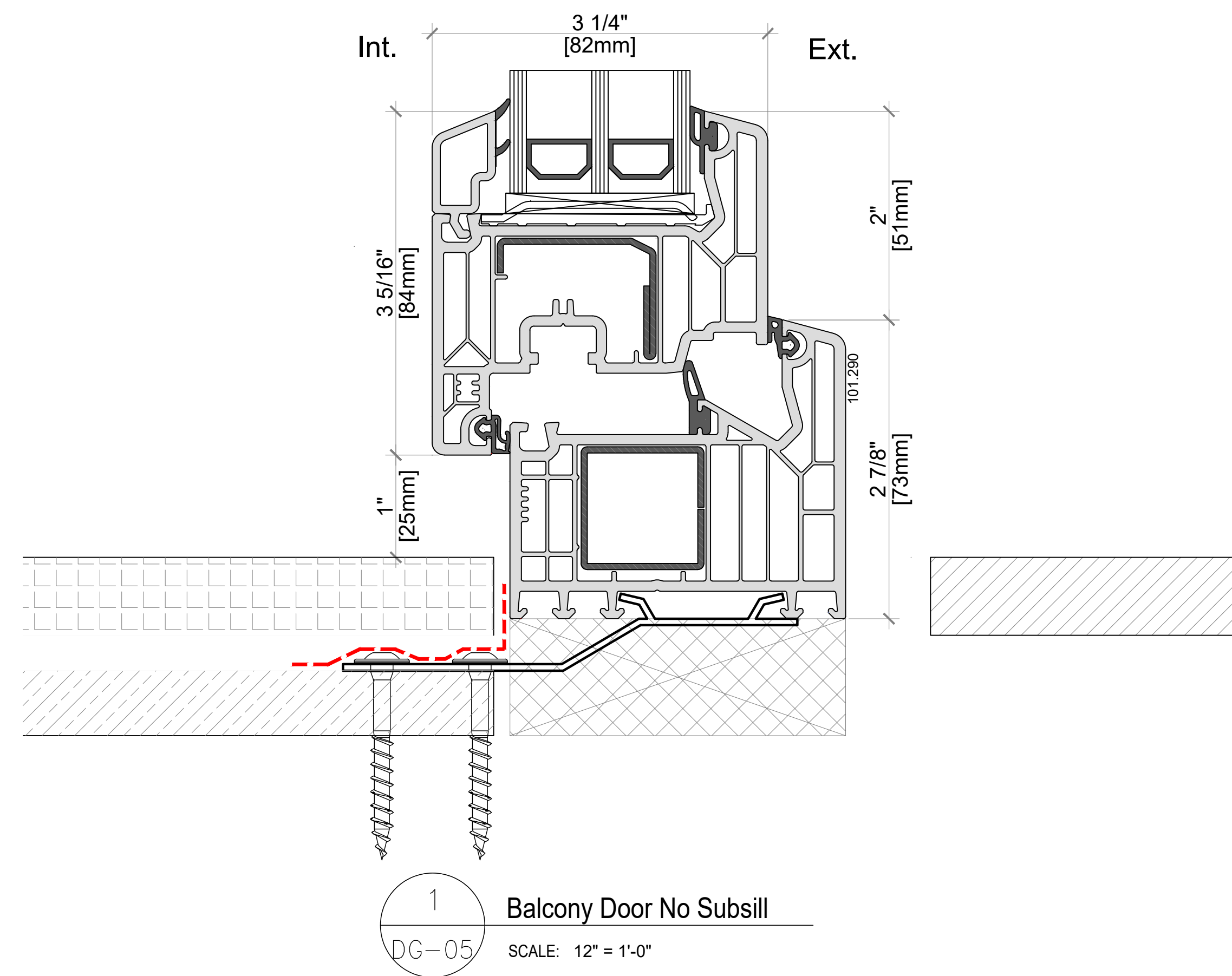
Note: Profiles Available in Double & Triple Glazed

Softline PVC Inswing Door Profiles

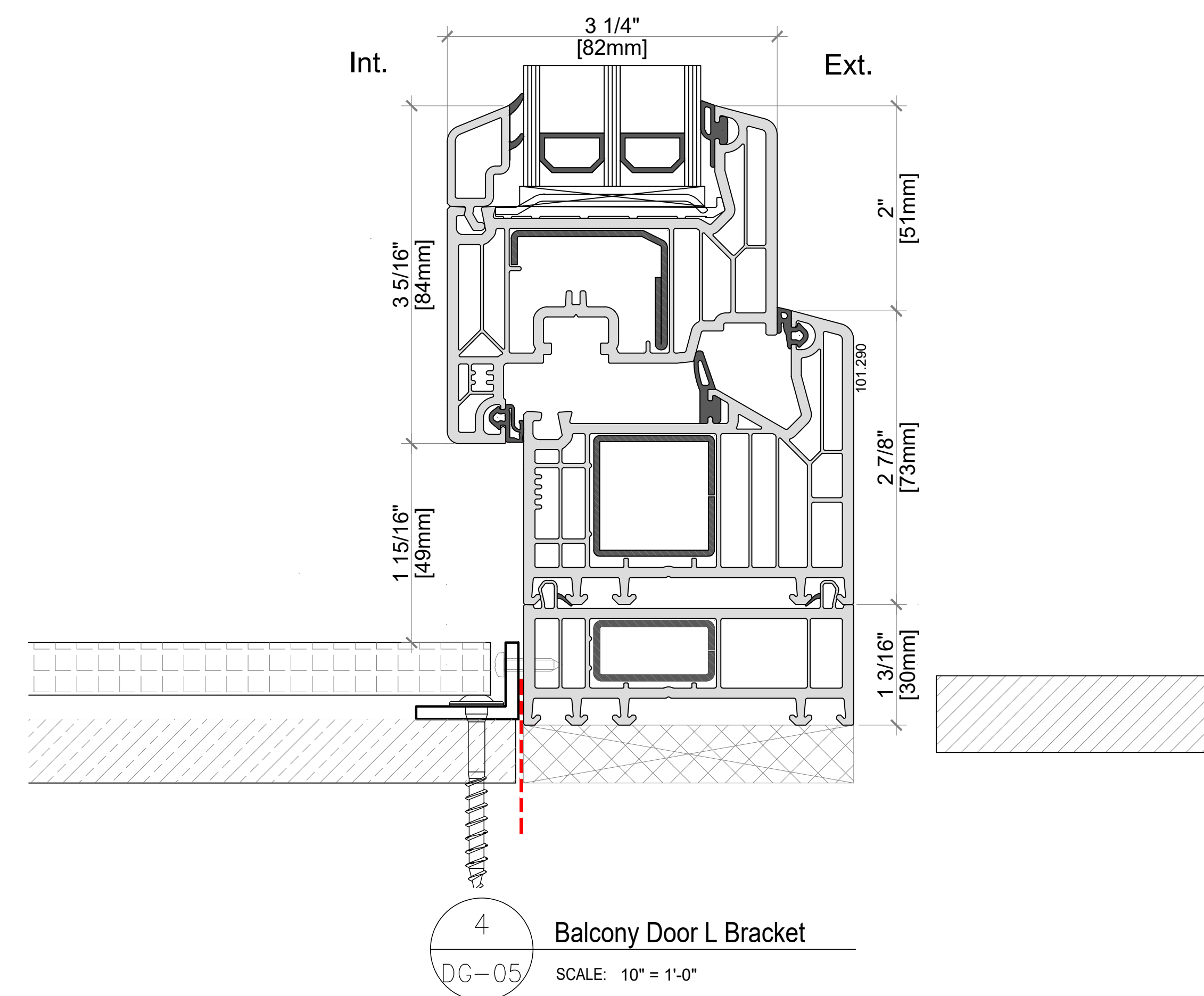
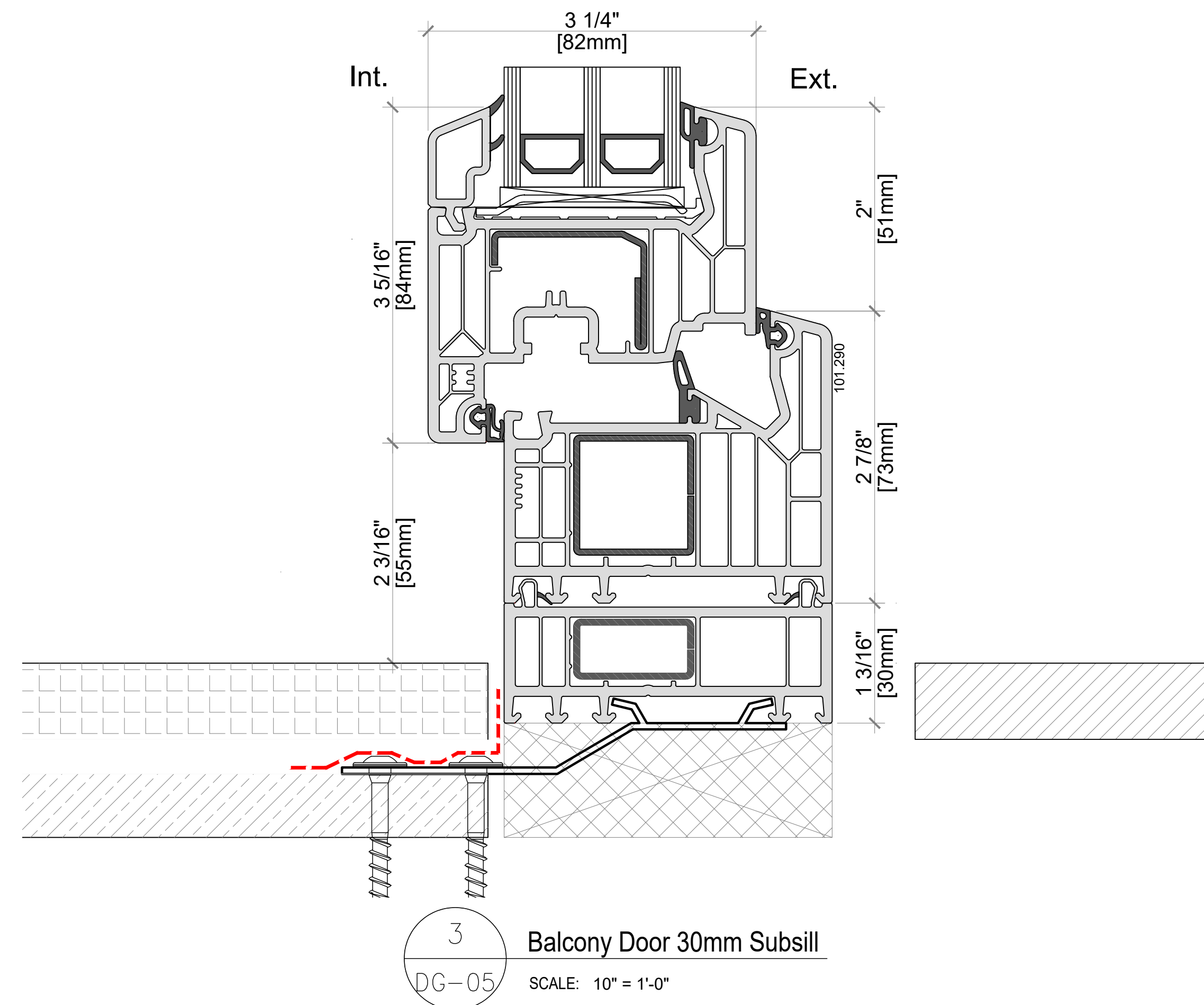
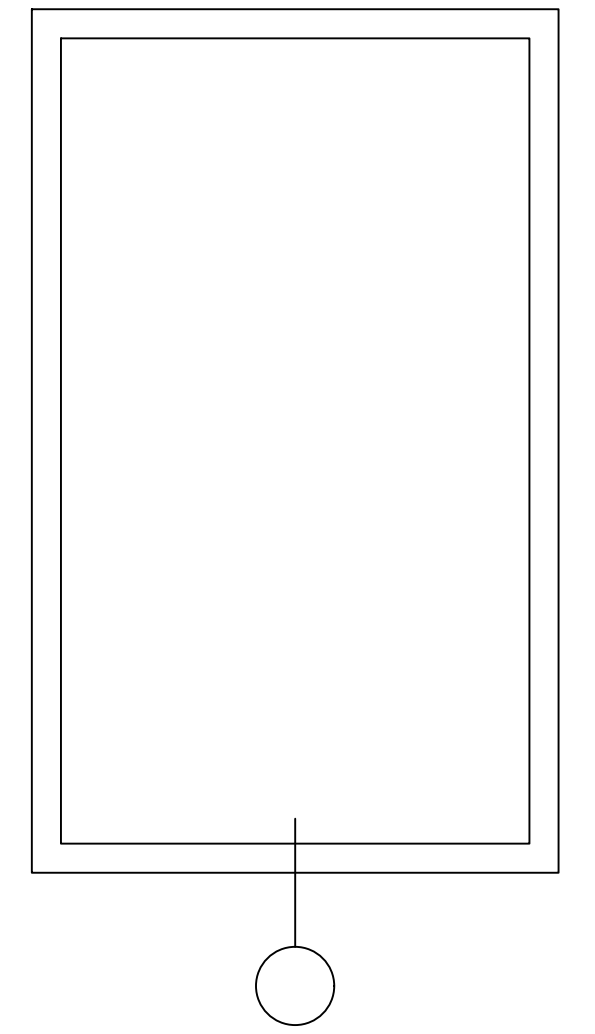
Balcony Door Subsill Options

A M B E R L I N E

HIGH PERFORMANCE WINDOWS AND DOORS



Elevation key:



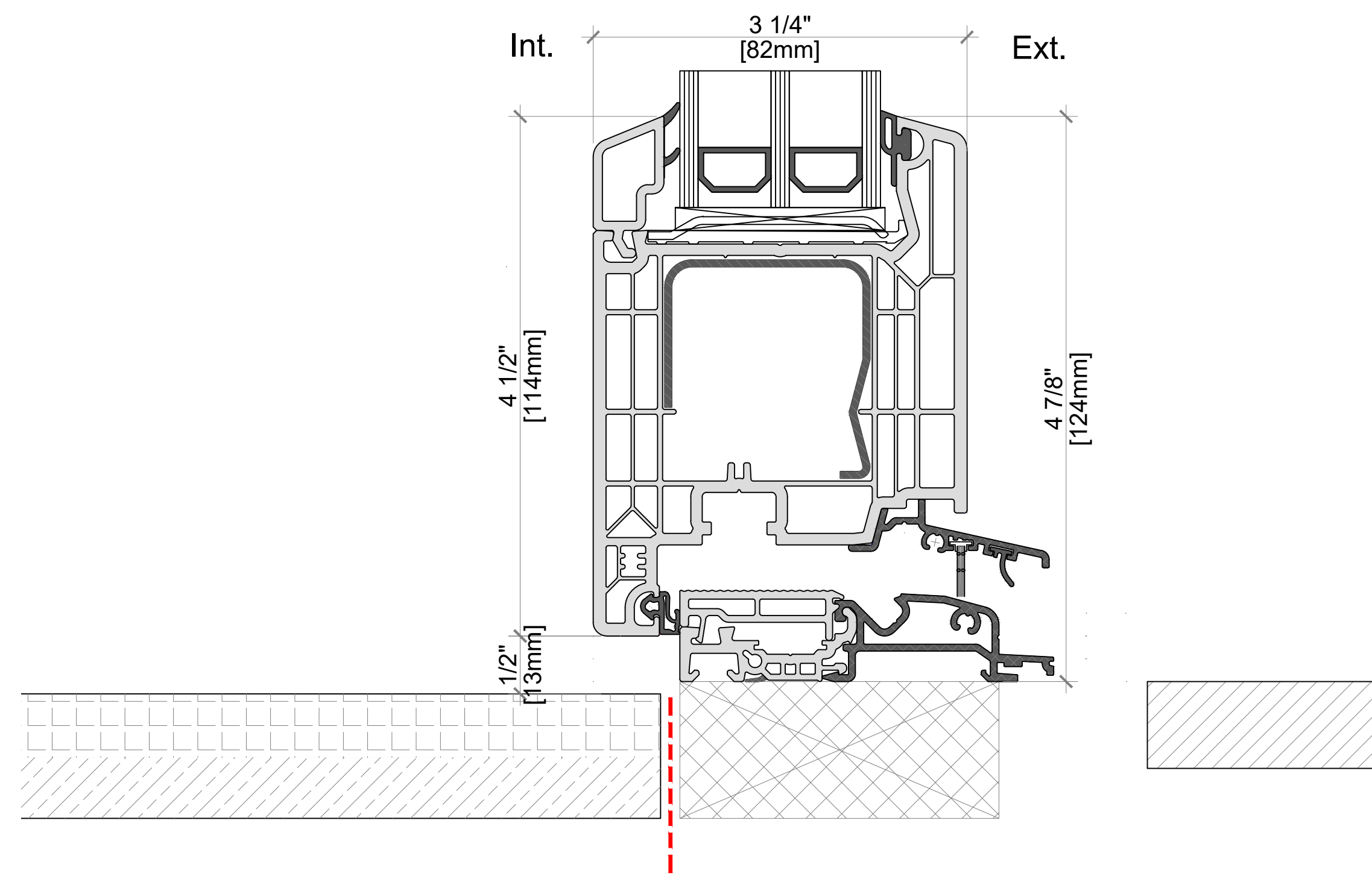
Note: Profiles Available in Double & Triple Glazed

Softline PVC Inswing Door Profiles

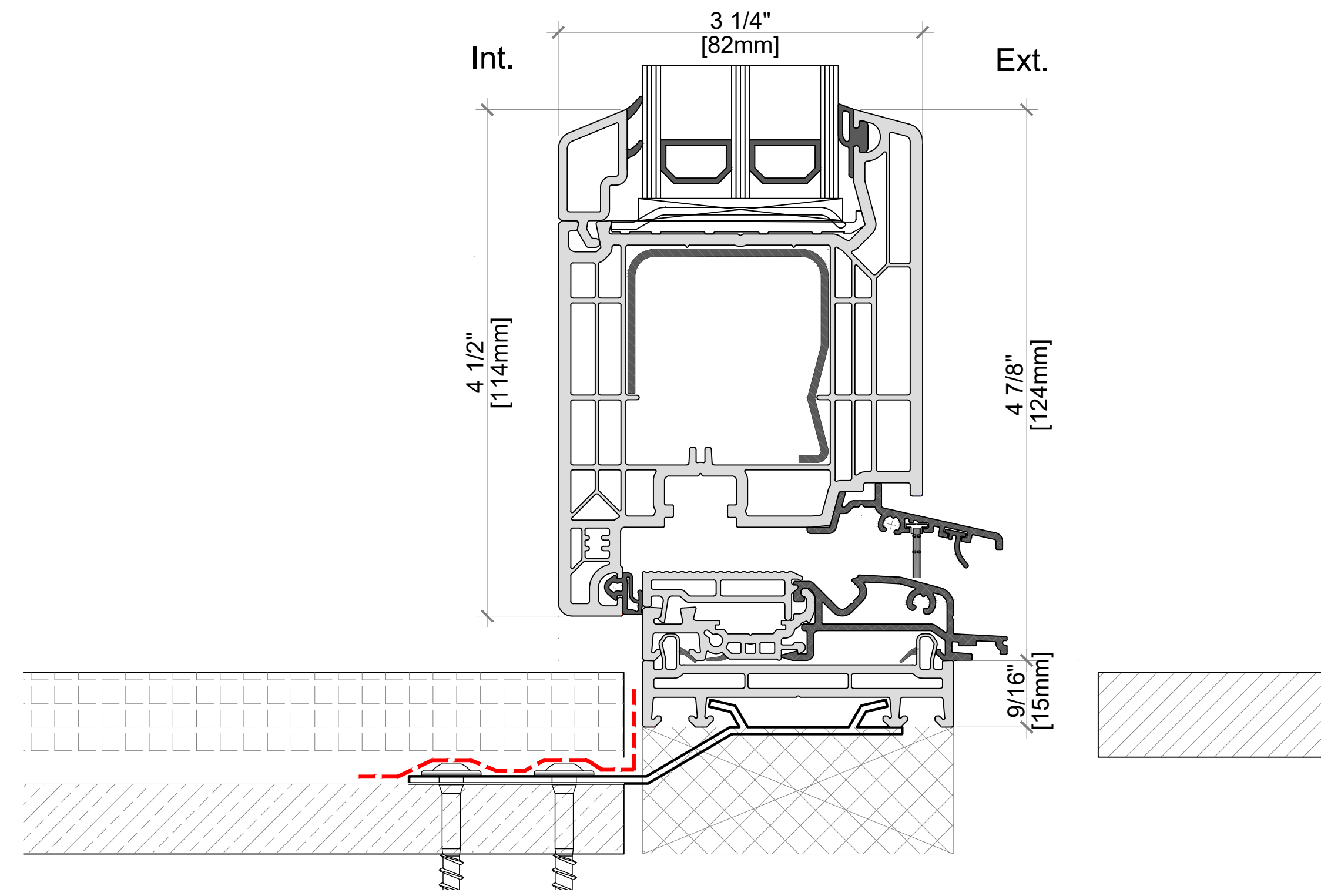
Patio Door Subsill Options

A M B E R L I N E

HIGH PERFORMANCE WINDOWS AND DOORS

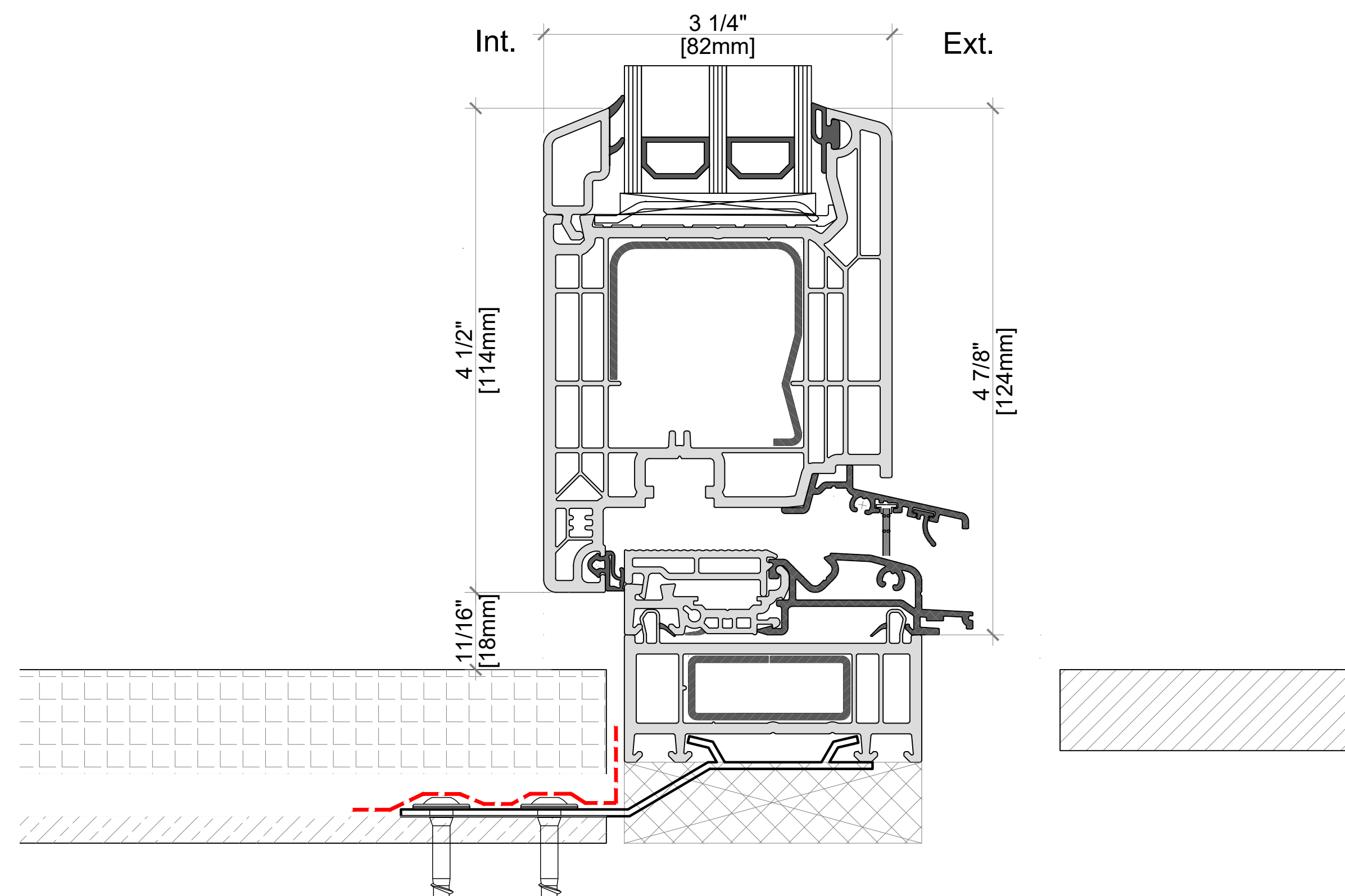
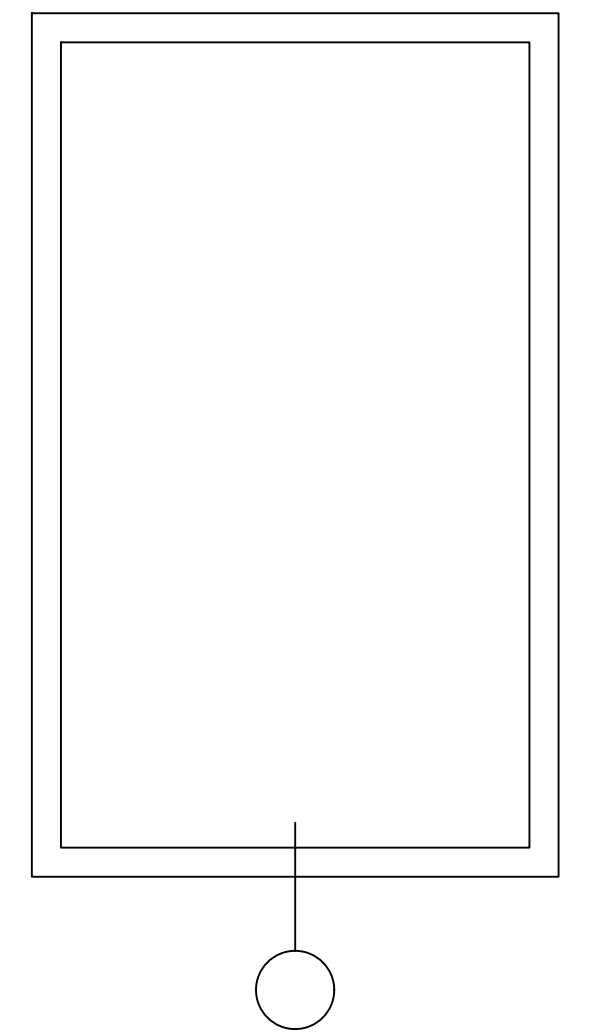


1 Patio Door No Subsill
DG-06 SCALE: 12" = 1'-0"

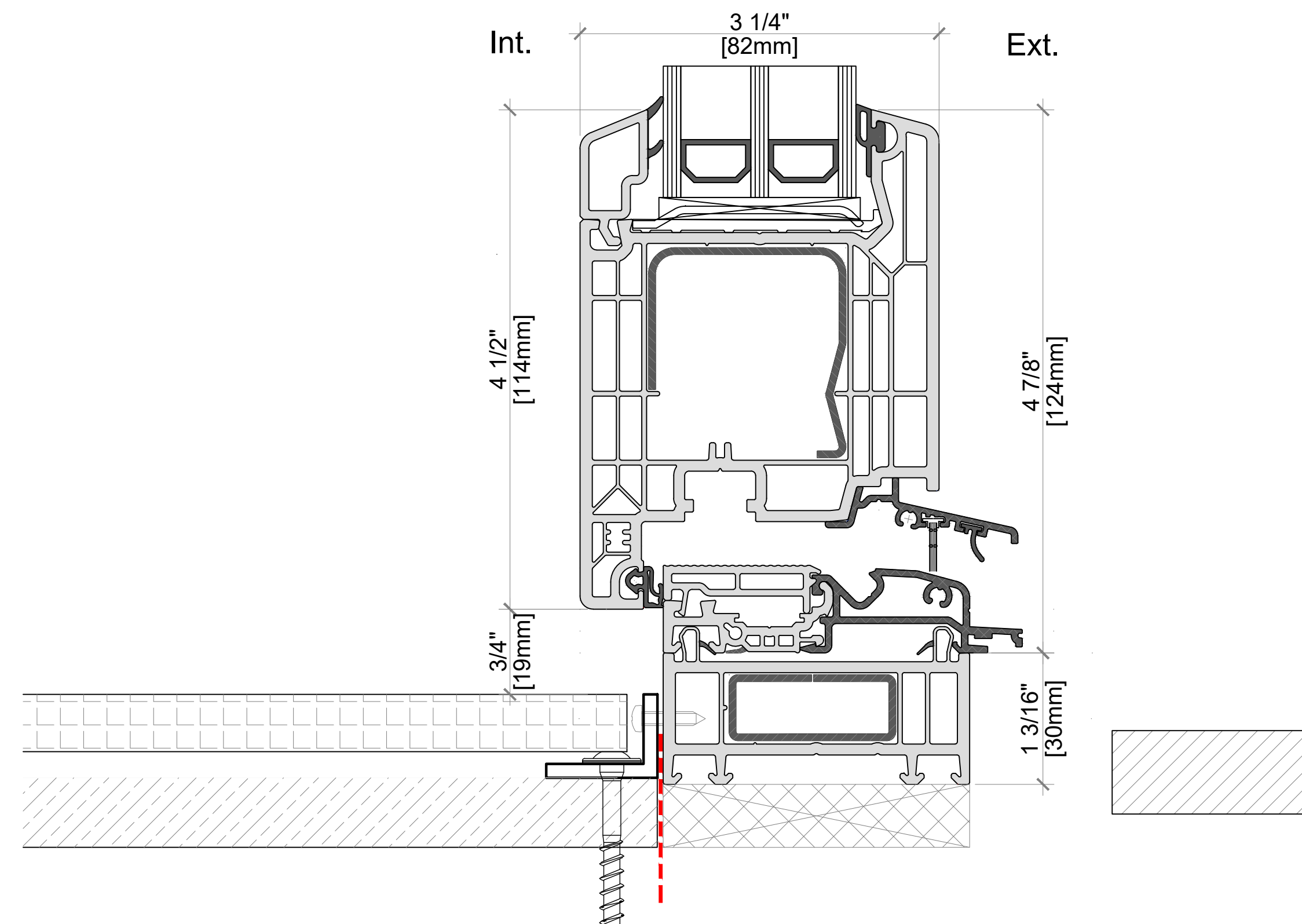


2 Patio Door 15mm Subsill
DG-06 SCALE: 12" = 1'-0"

Elevation key:



3 Patio Door 30mm Subsill
DG-06 SCALE: 12" = 1'-0"



4 Patio Door L Bracket
DG-06 SCALE: 12" = 1'-0"

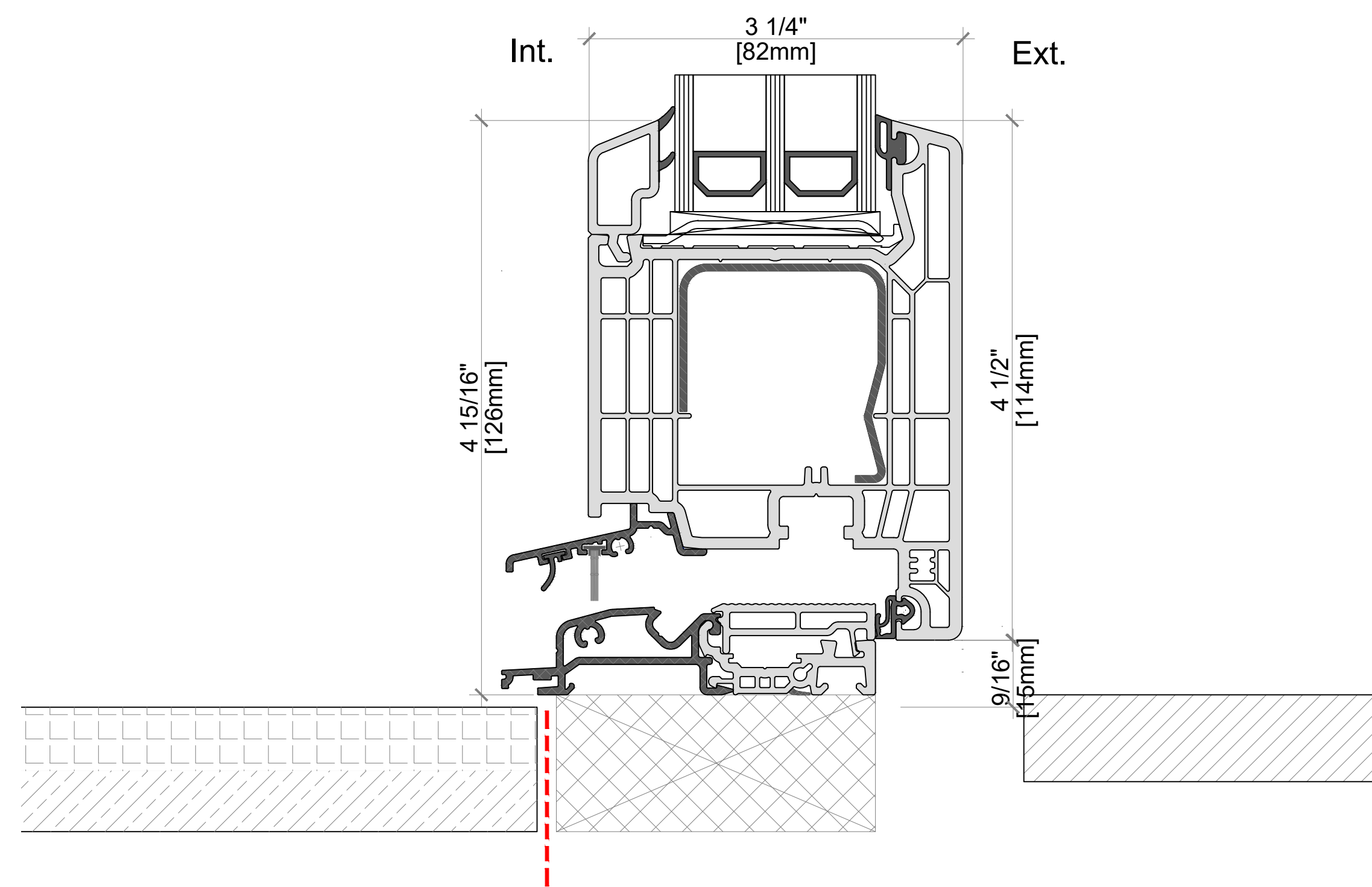
Note: Profiles Available in Double & Triple Glazed

Softline PVC Outswing Door Profiles

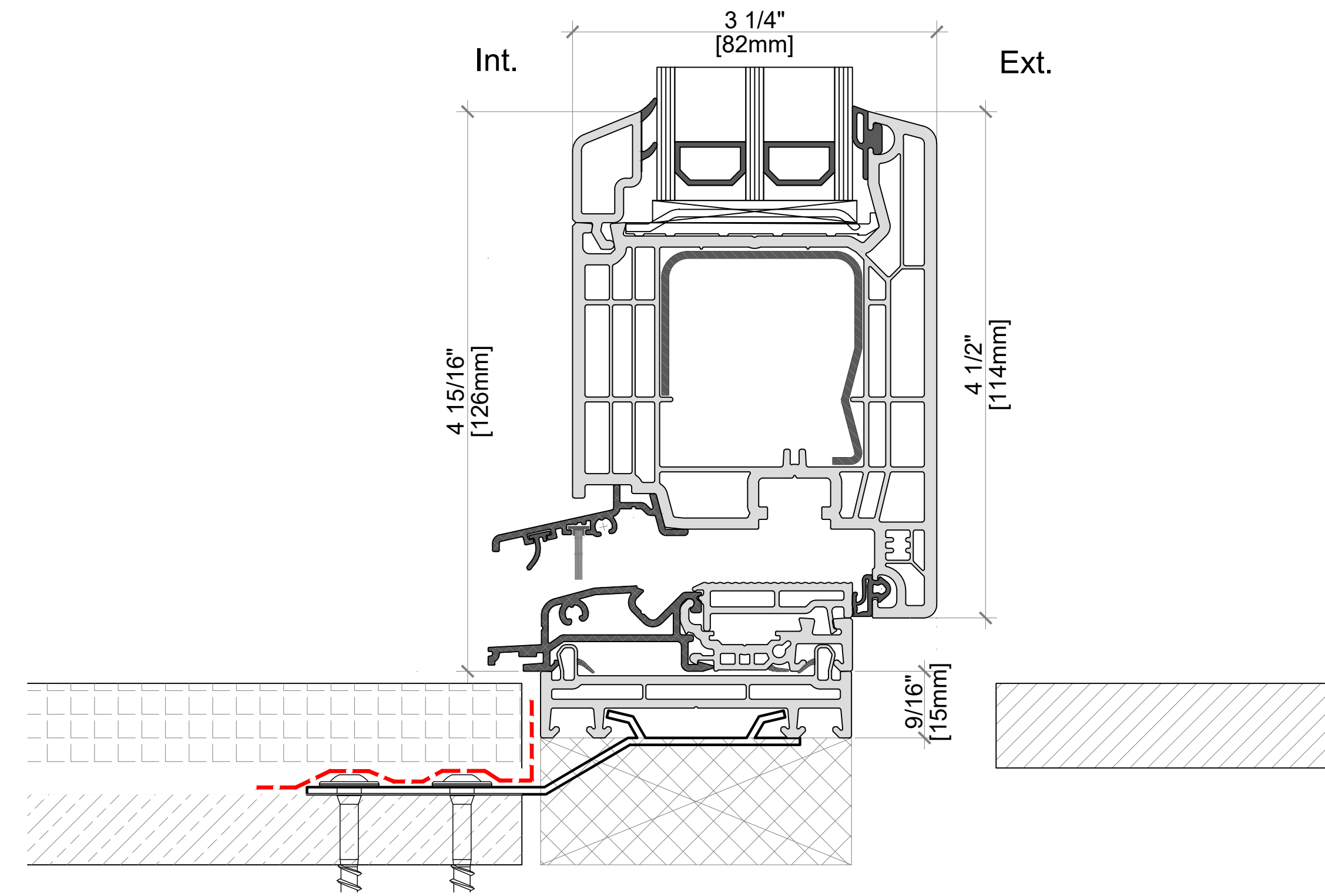
Patio Door Subsill Options

A M B E R L I N E

HIGH PERFORMANCE WINDOWS AND DOORS

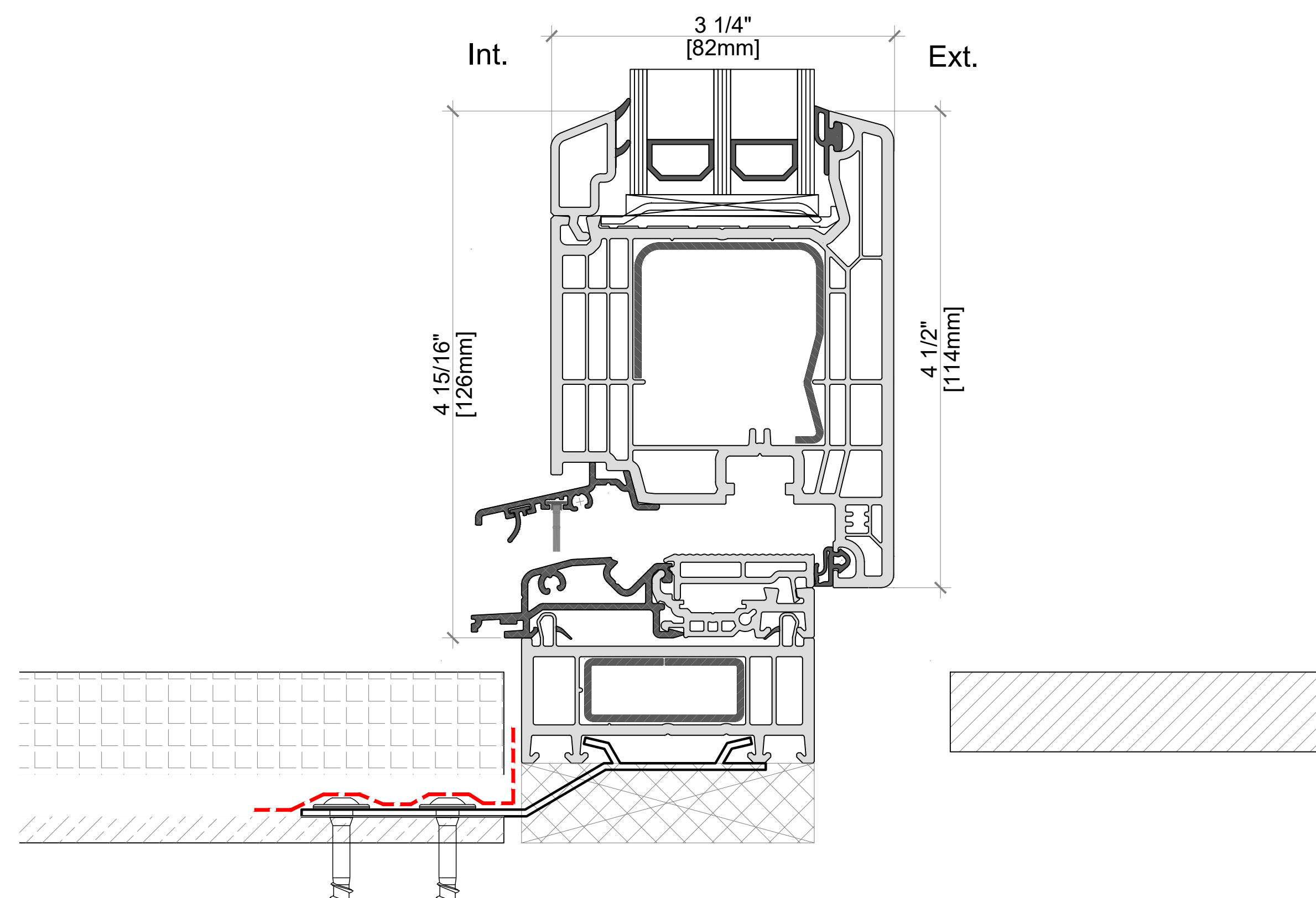
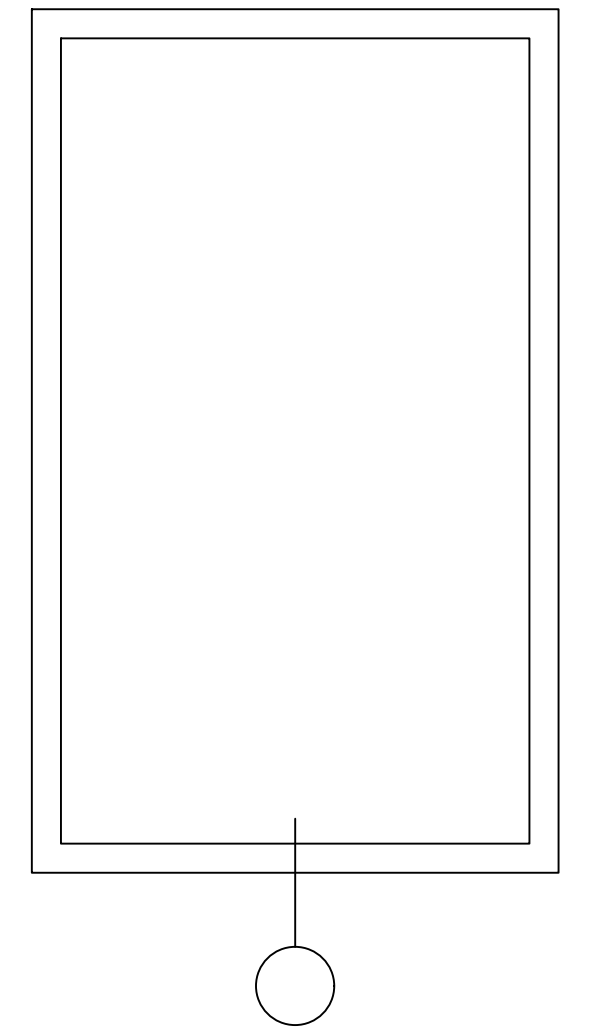


1
DG-06
Patio Door No Subsill
SCALE: 12" = 1'-0"

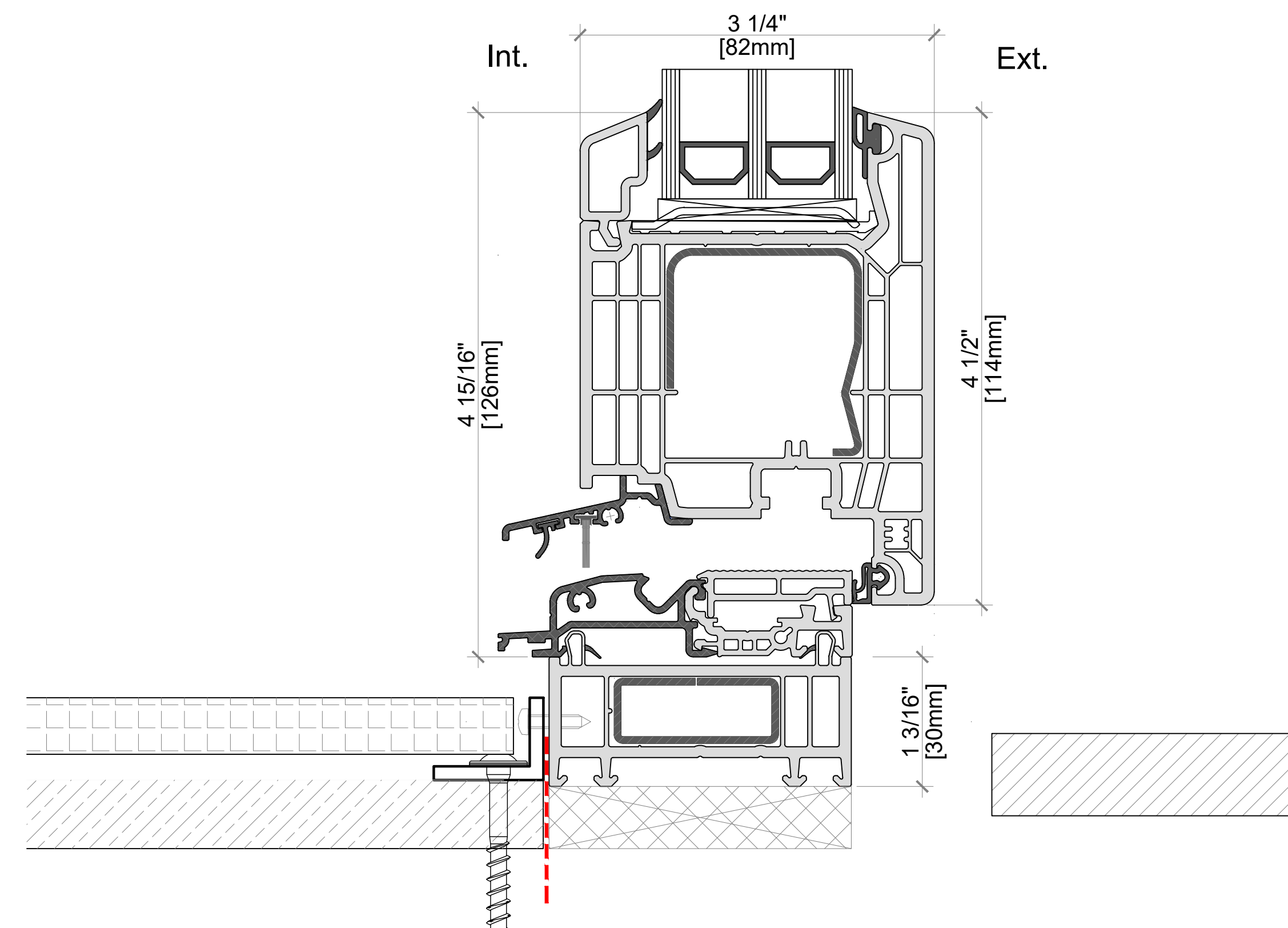


2
DG-06
Patio Door 15mm Subsill
SCALE: 12" = 1'-0"

Elevation key:



3
DG-06
Patio Door 30mm Subsill
SCALE: 12" = 1'-0"



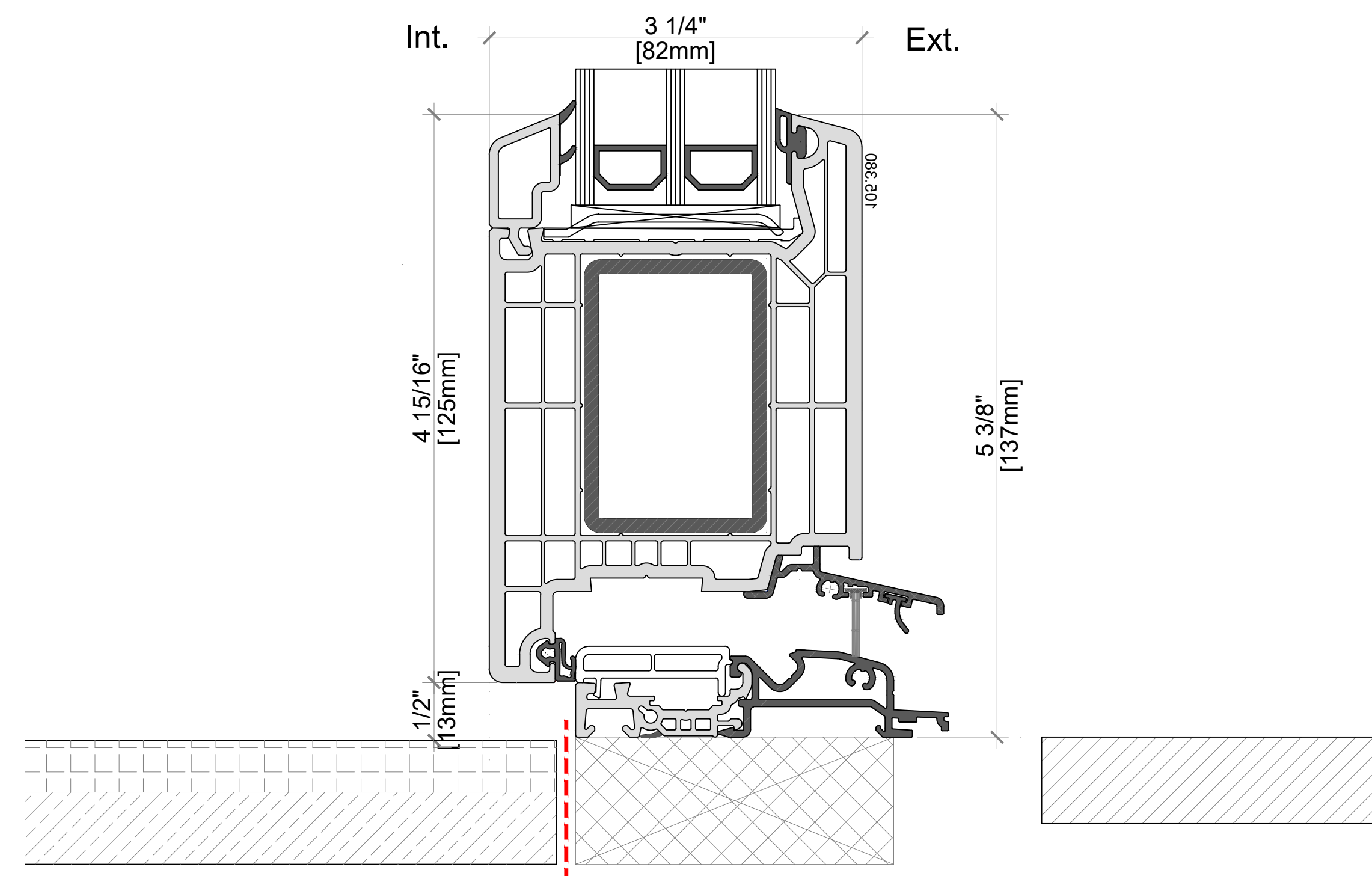
4
DG-06
Patio Door L Bracket
SCALE: 12" = 1'-0"

Note: Profiles Available in Double & Triple Glazed

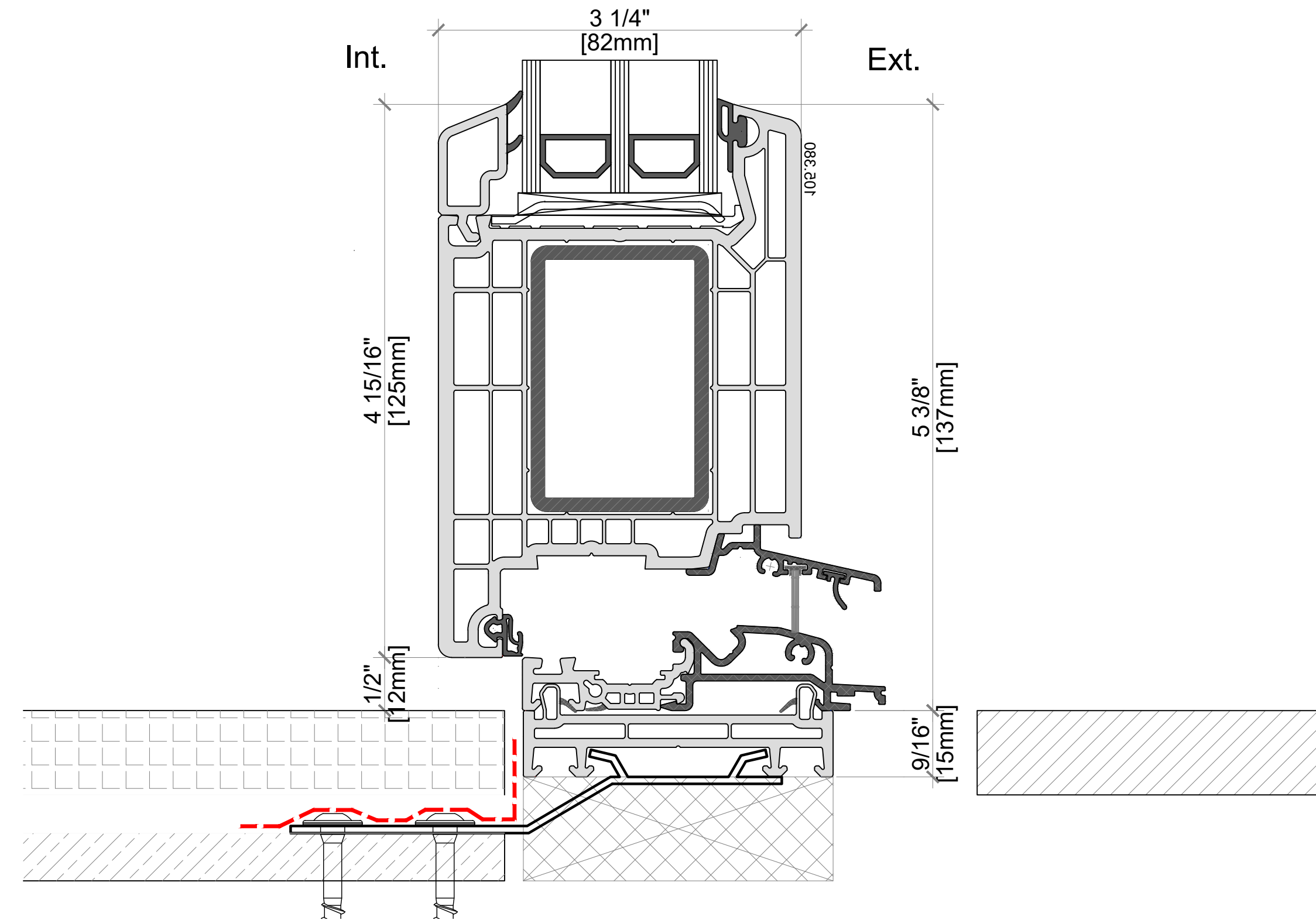
Softline PVC Inswing Door Profiles

Entry Door Subsill Options

A M B E R L I N E
HIGH PERFORMANCE WINDOWS AND DOORS

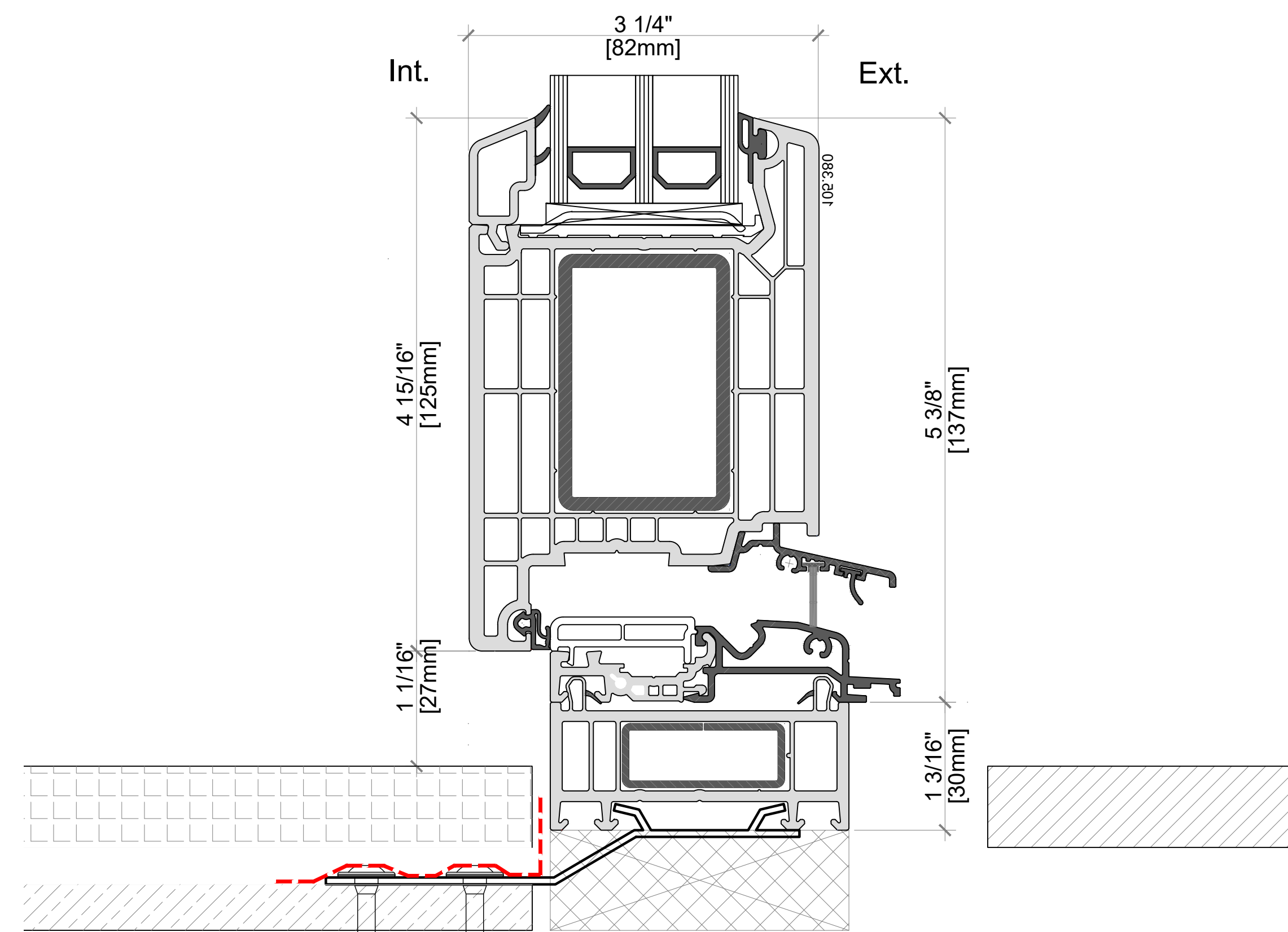
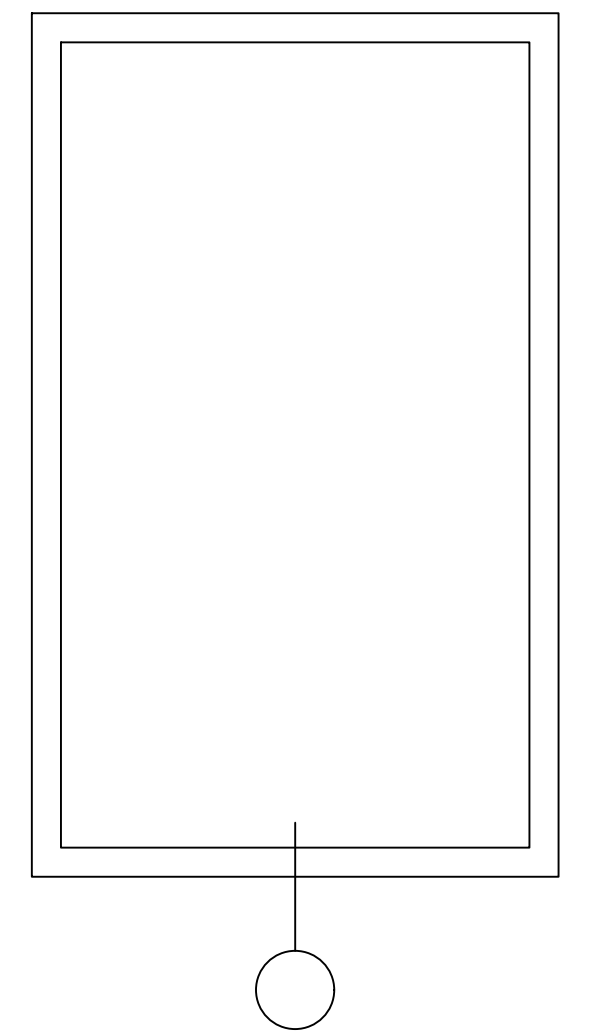


1 Entry Door No Subsill
DG-07 SCALE: 12" = 1'-0"

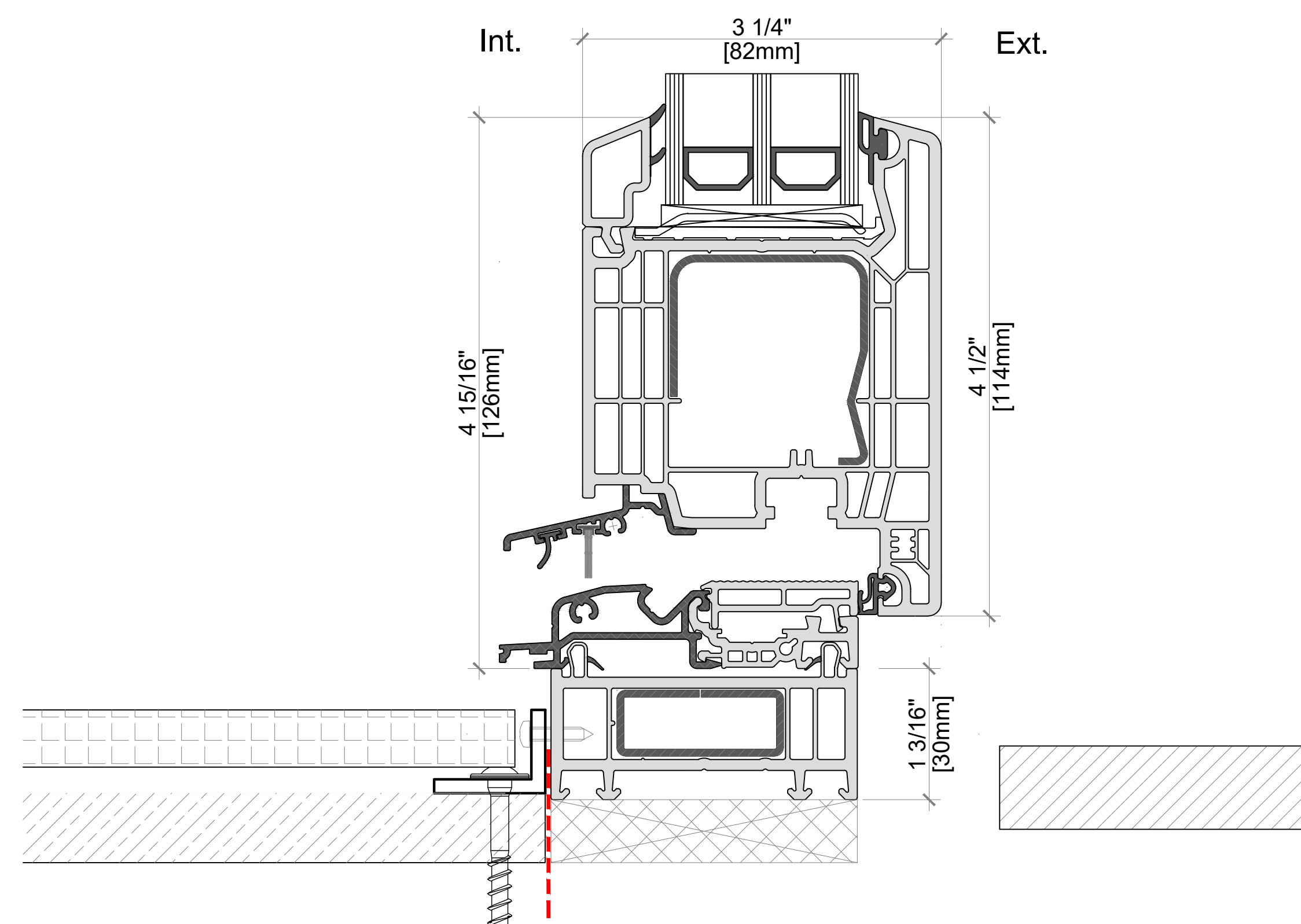


2 Entry Door 15mm Subsill
DG-07 SCALE: 12" = 1'-0"

Elevation key:



3 Entry Door 30mm Subsill
DG-07 SCALE: 12" = 1'-0"



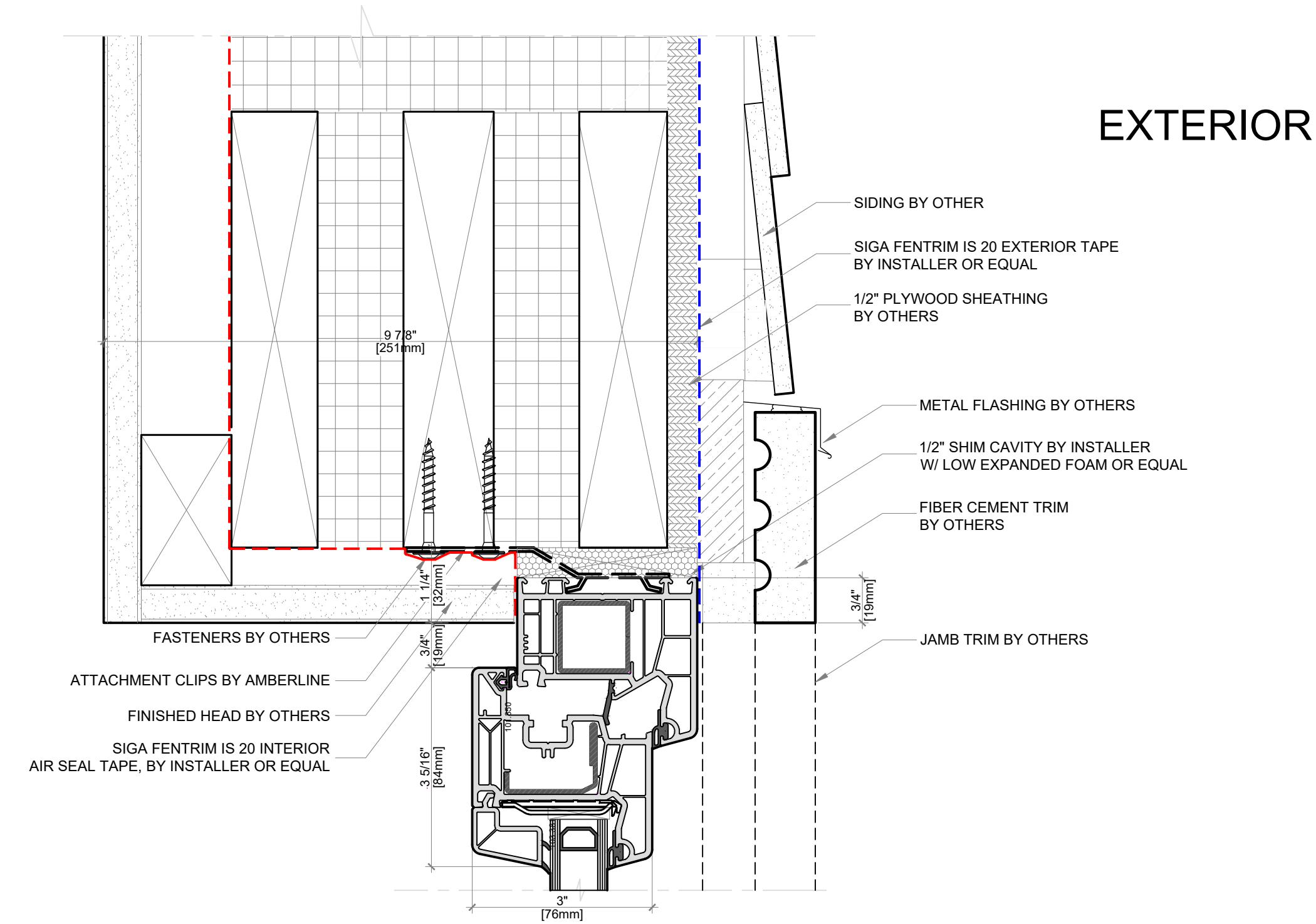
4 Entry Door L Bracket
DG-07 SCALE: 12" = 1'-0"

Note: Profiles Available in Double & Triple Glazed

Softline PVC Typical Installation Details

Balcony Door - 76mm Profile - Inswing - Flush Install - 1/2" Subfloor and 3/4" Finished Floor - Flush Deck - Step Over Transition

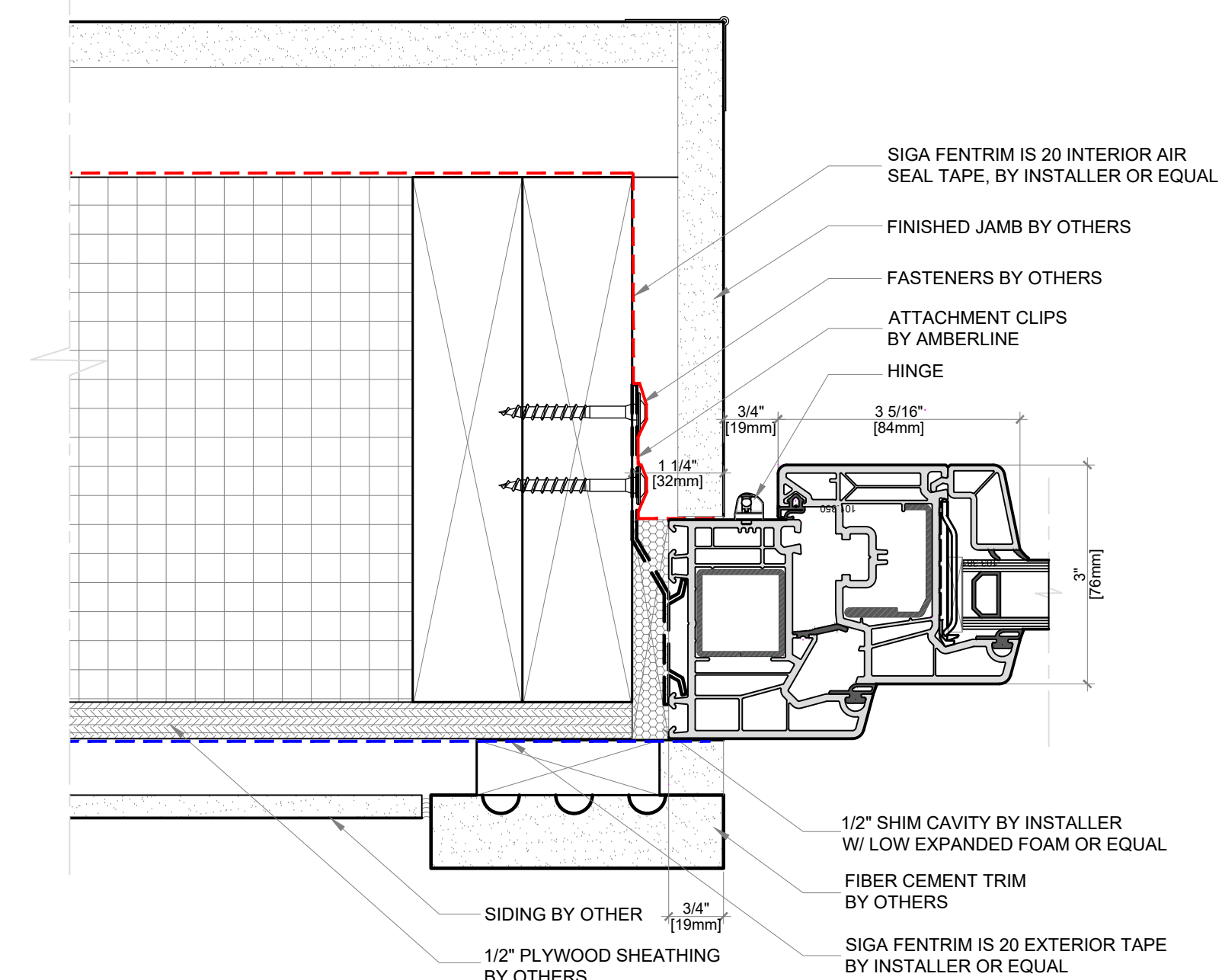
INTERIOR



EXTERIOR

1 INSWING BALCONY DOOR HEAD DETAIL
DG-08 SCALE: 6" = 1' - 0"

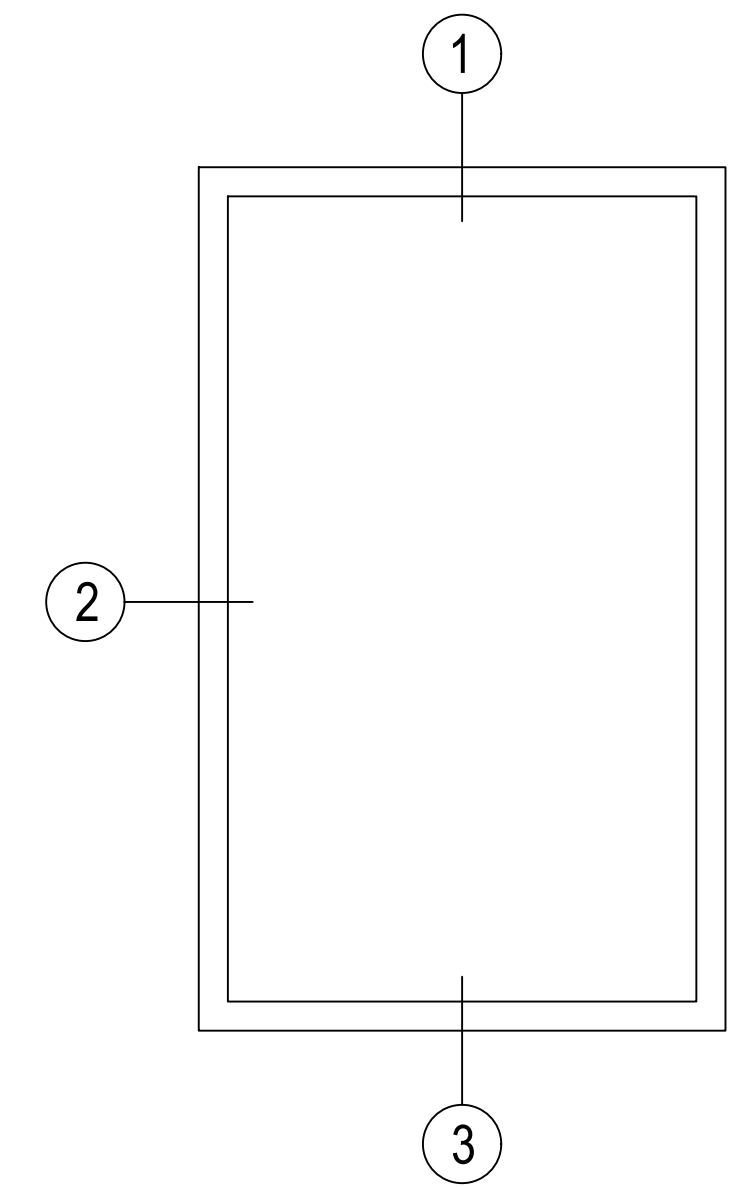
INTERIOR



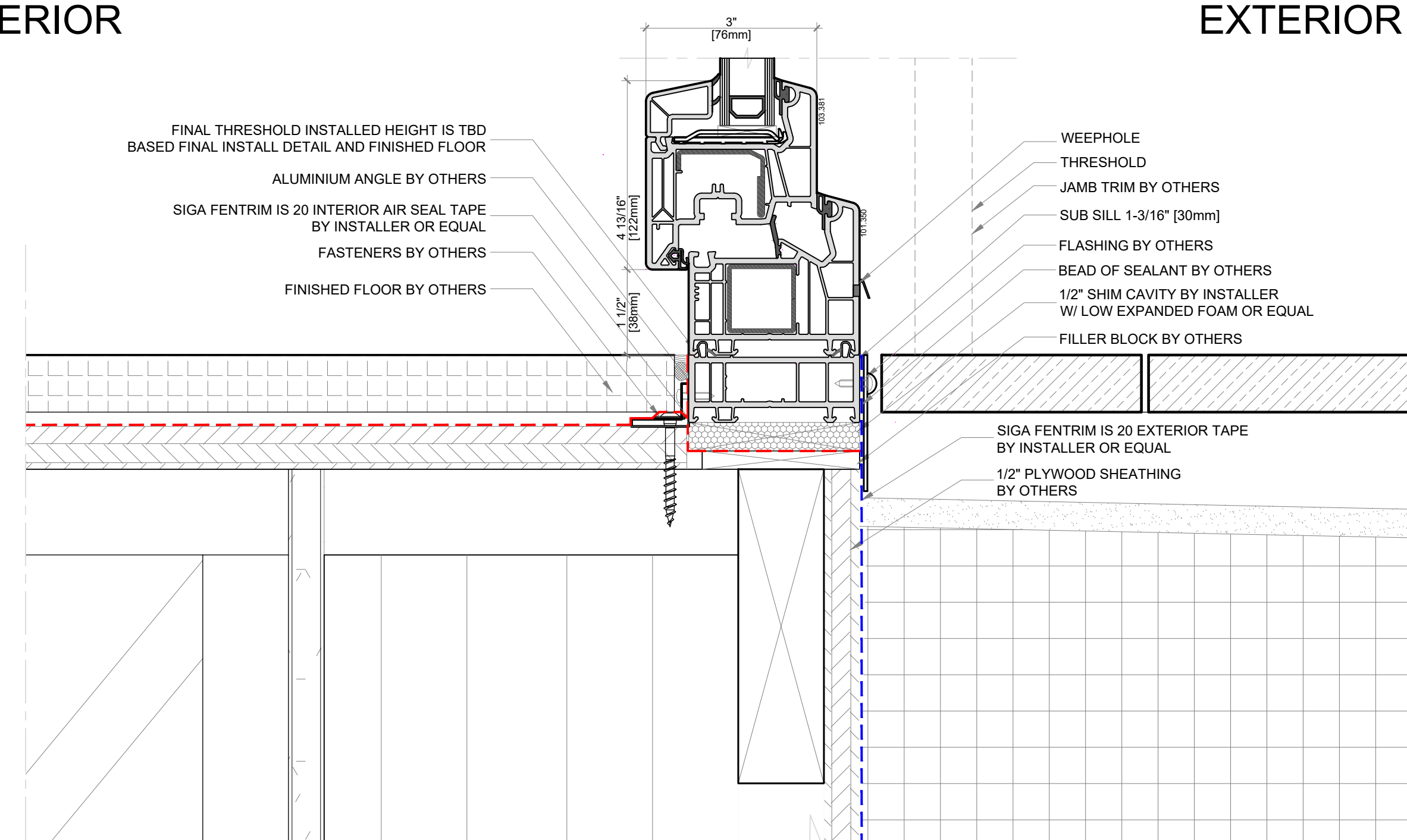
EXTERIOR

2 INSWING BALCONY DOOR JAMB DETAIL
DG-08 SCALE: 6" = 1' - 0"

Elevation key:

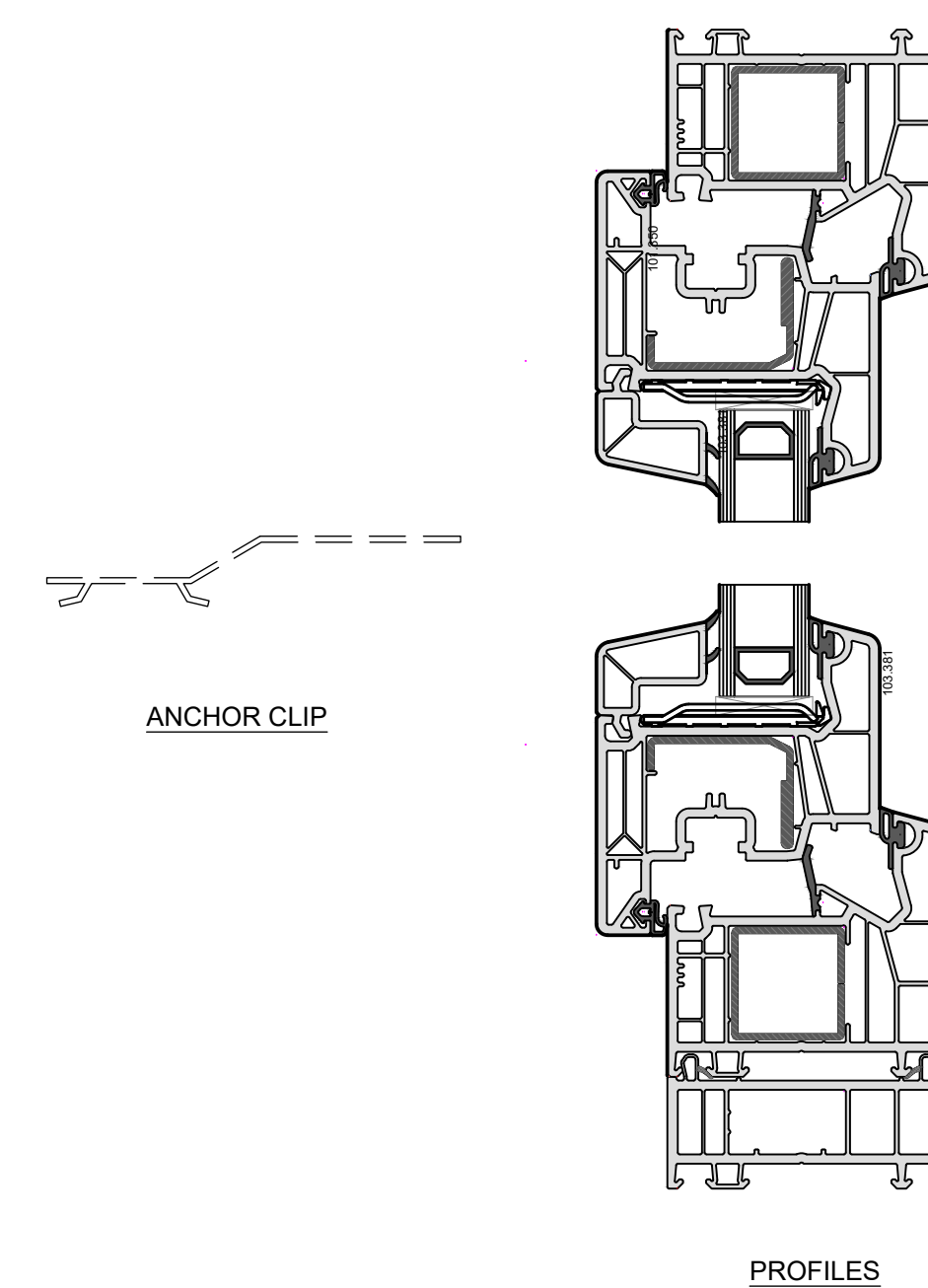


INTERIOR



EXTERIOR

3 INSWING BALCONY DOOR SILL DETAIL
DG-08 SCALE: 6" = 1' - 0"



4 PROVIDED BY AMBERLINE
DG-08 SCALE: 6" = 1' - 0"

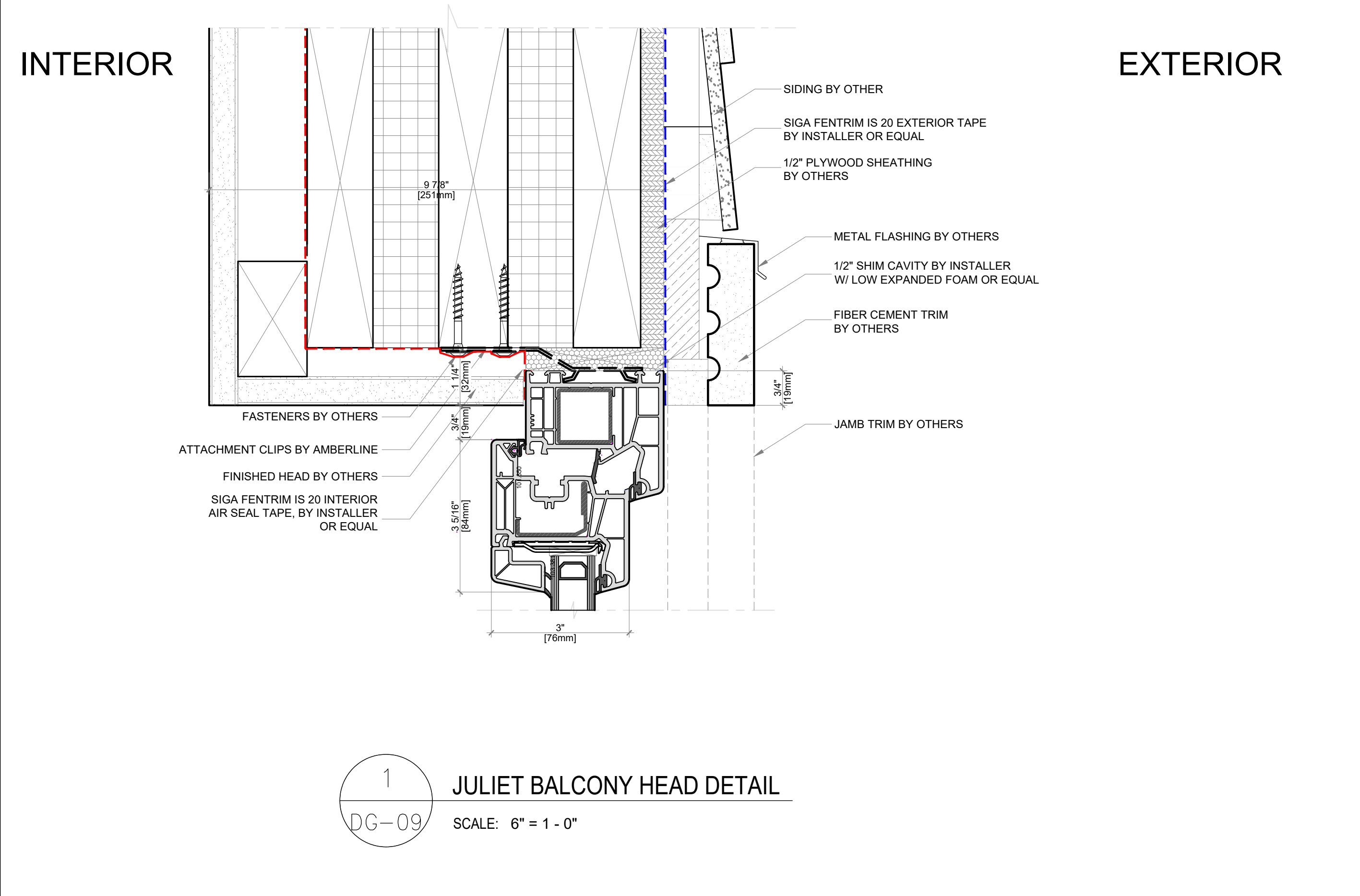
Unit Type: Balcony Door
Profile: 76mm Profile
Swing: Inswing
Position in Wall: Flush
Int. Condition: 1/2" Subfloor and 3/4" Finished Floor
Ext. Condition: Flush Deck
Transition: Step Over

Note: Available in Double & Triple Glazed

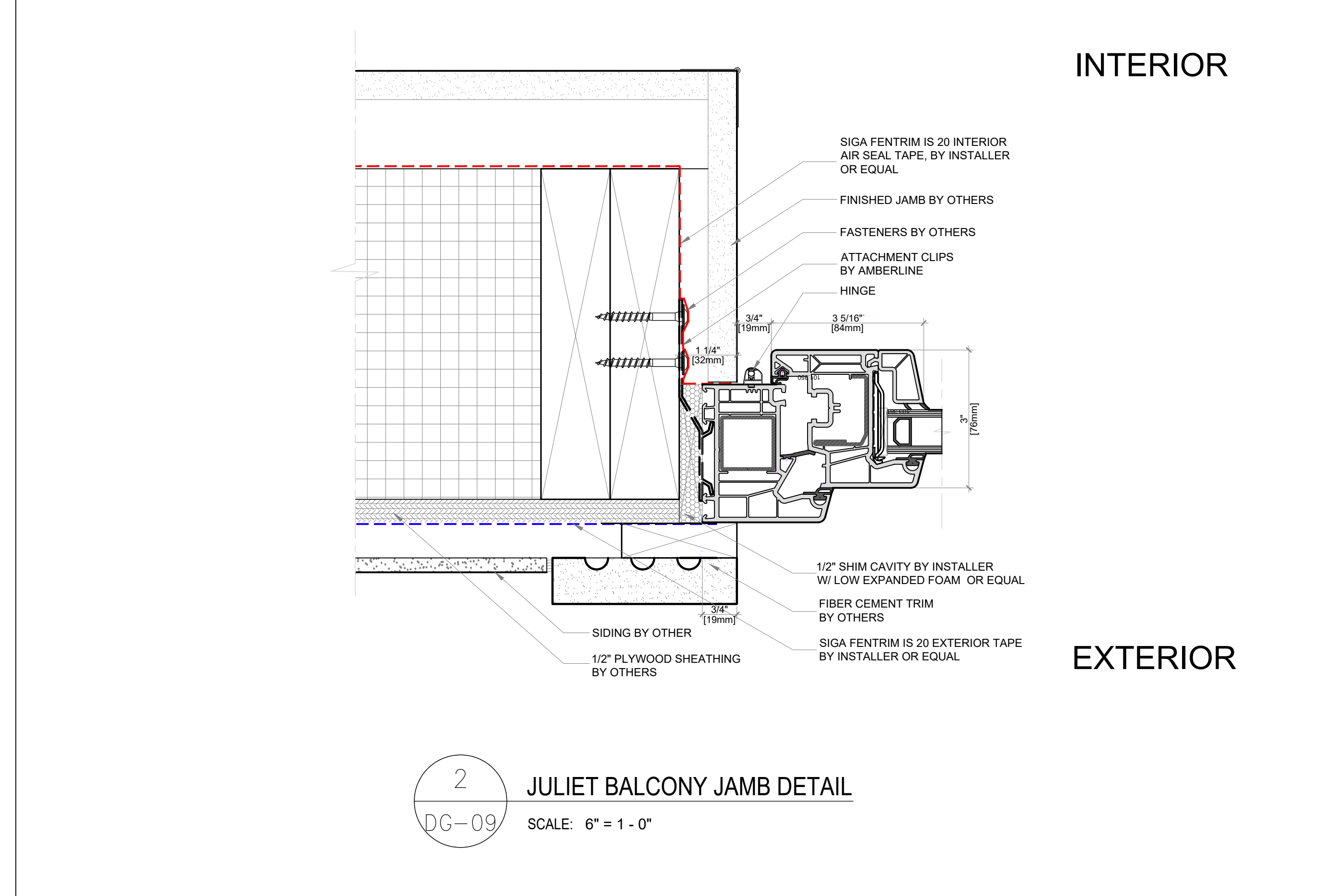
Softline PVC Typical Installation Details

C:\Users\Ciaran Needham\Downloads\lamber HP white rgb en.png

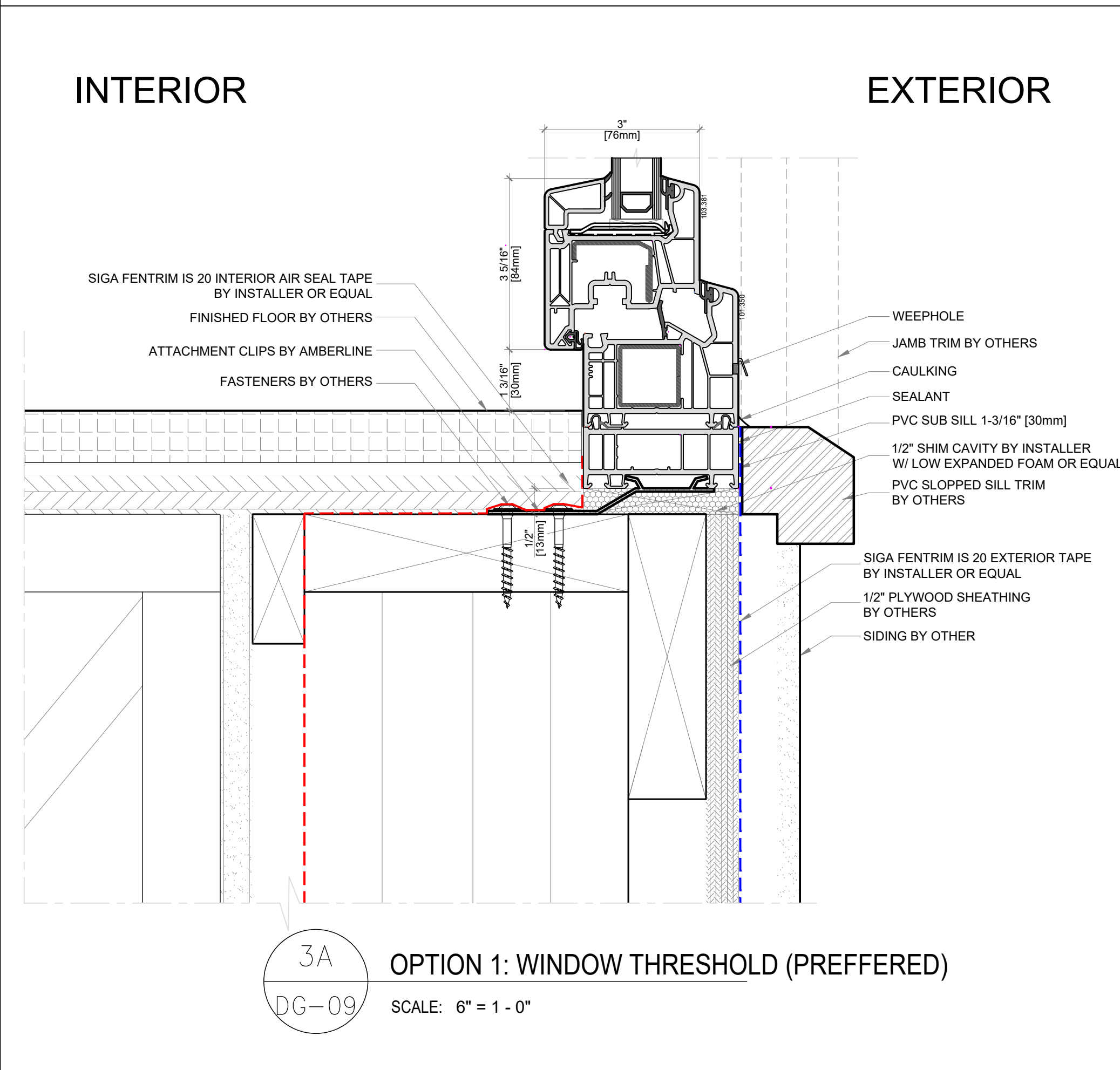
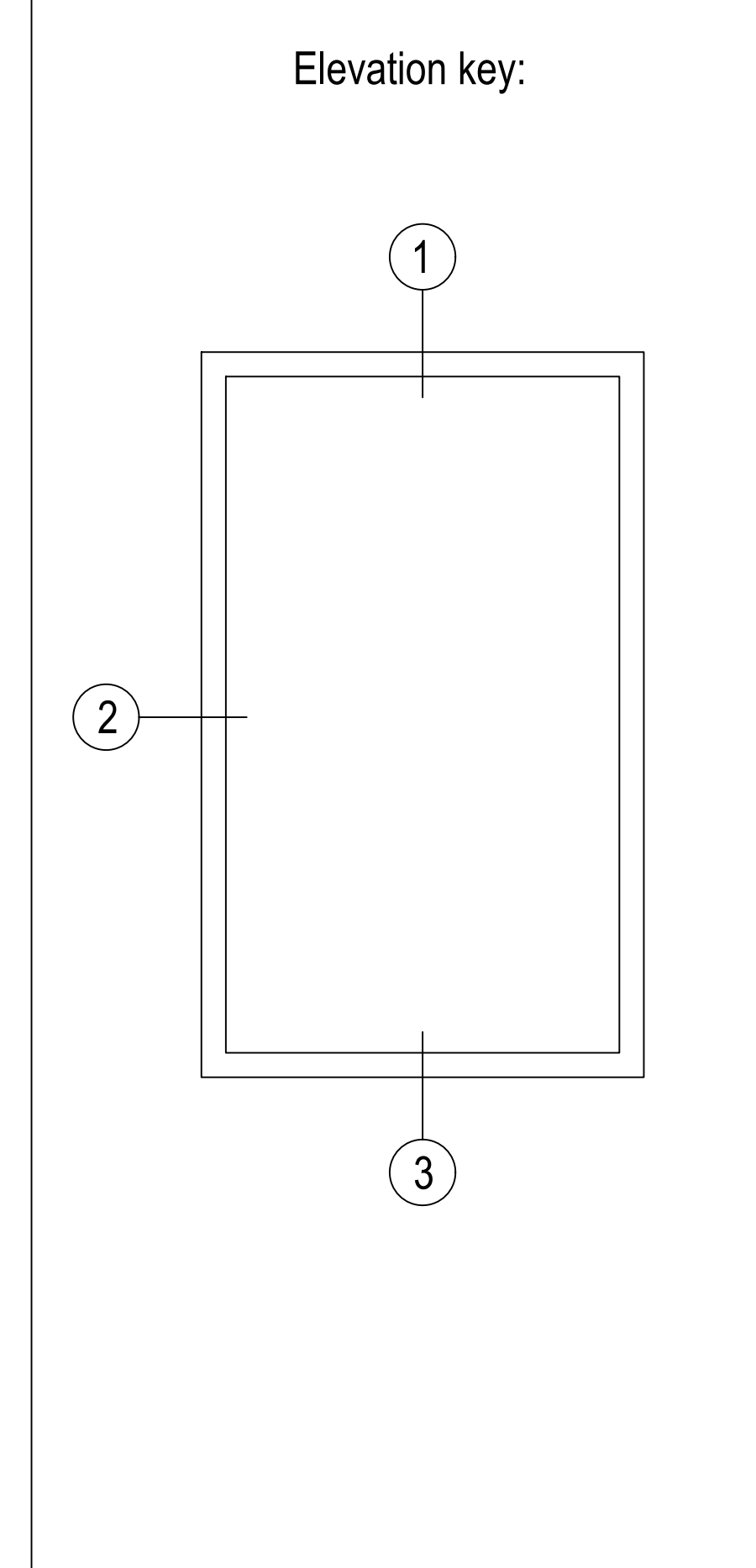
Juliet Balcony Door - 76mm Profile - Inswing - Flush Install - 1/2" Subfloor and 3/4" Finished Floor



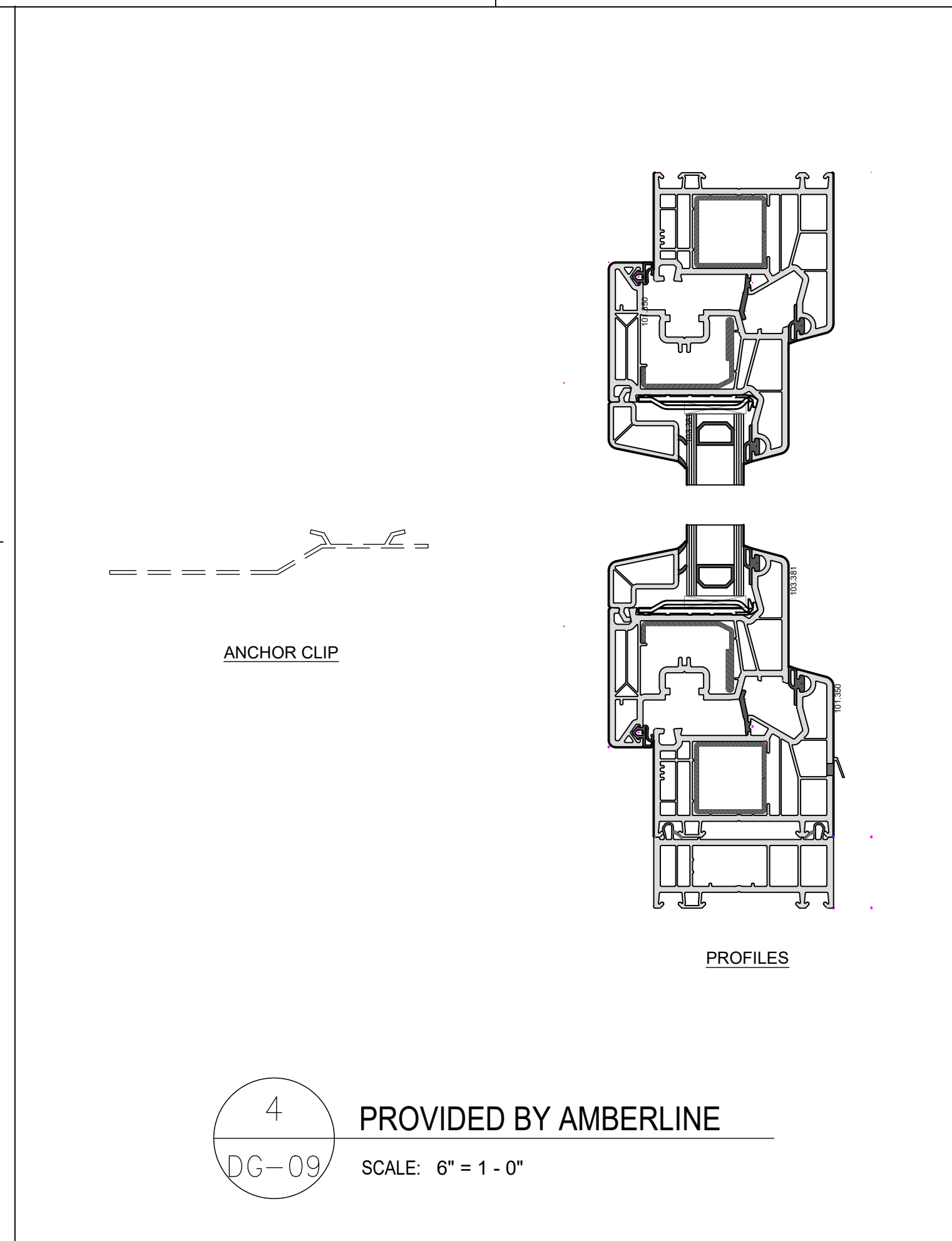
1 JULIET BALCONY HEAD DETAIL
DG-09 SCALE: 6" = 1 - 0"



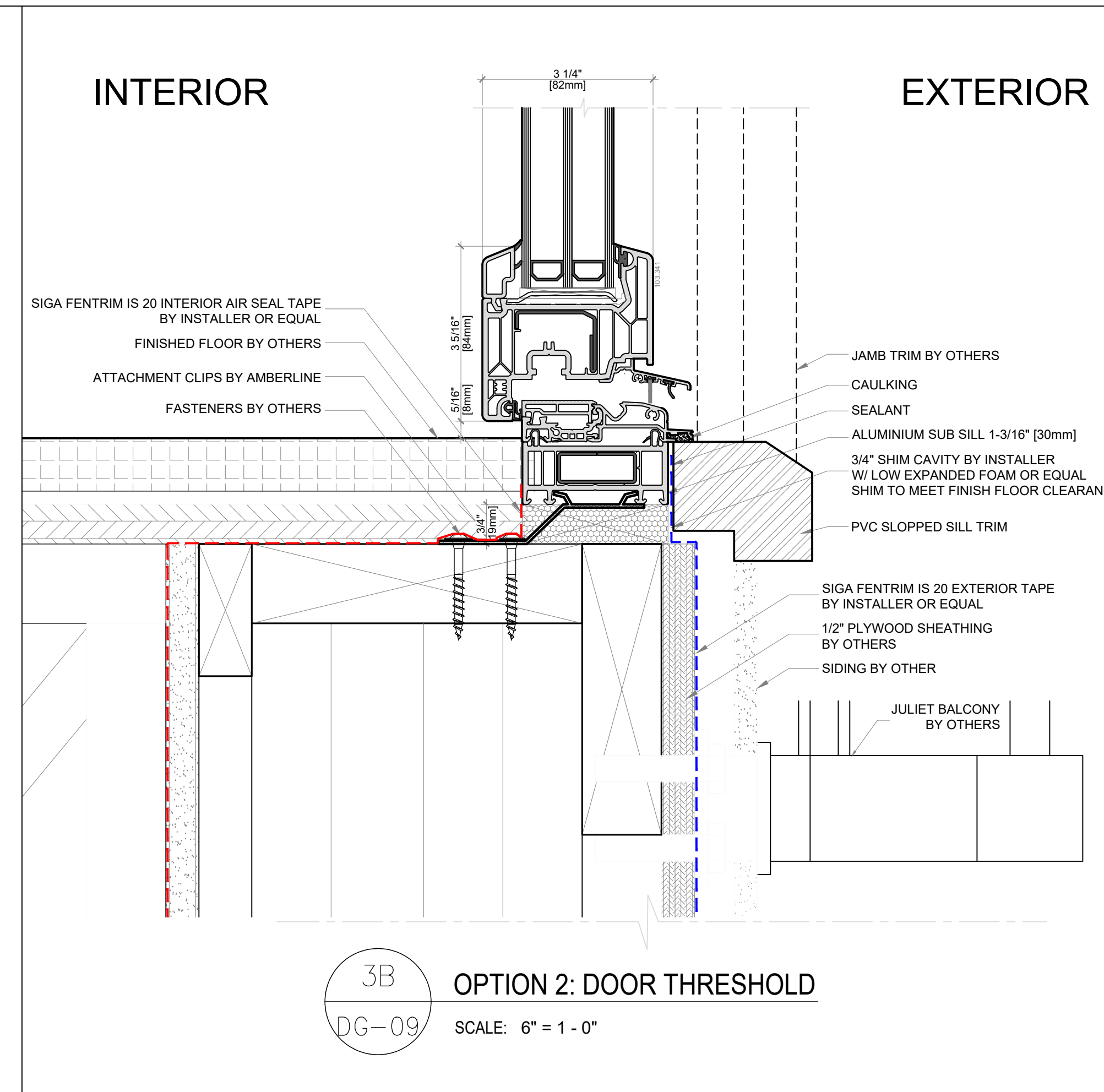
2 JULIET BALCONY JAMB DETAIL
DG-09 SCALE: 6" = 1 - 0"



3A OPTION 1: WINDOW THRESHOLD (PREFERRED)
DG-09 SCALE: 6" = 1 - 0"



4 PROVIDED BY AMBERLINE
DG-09 SCALE: 6" = 1 - 0"



3B OPTION 2: DOOR THRESHOLD
DG-09 SCALE: 6" = 1 - 0"

Unit Type: Juliet Balcony Door
Profile: 76mm Profile
Swing: Inswing
Position in Wall: Flush
Int. Condition: 1/2" Subfloor and 3/4" Finished Floor
Ext. Condition: None
Transition: None

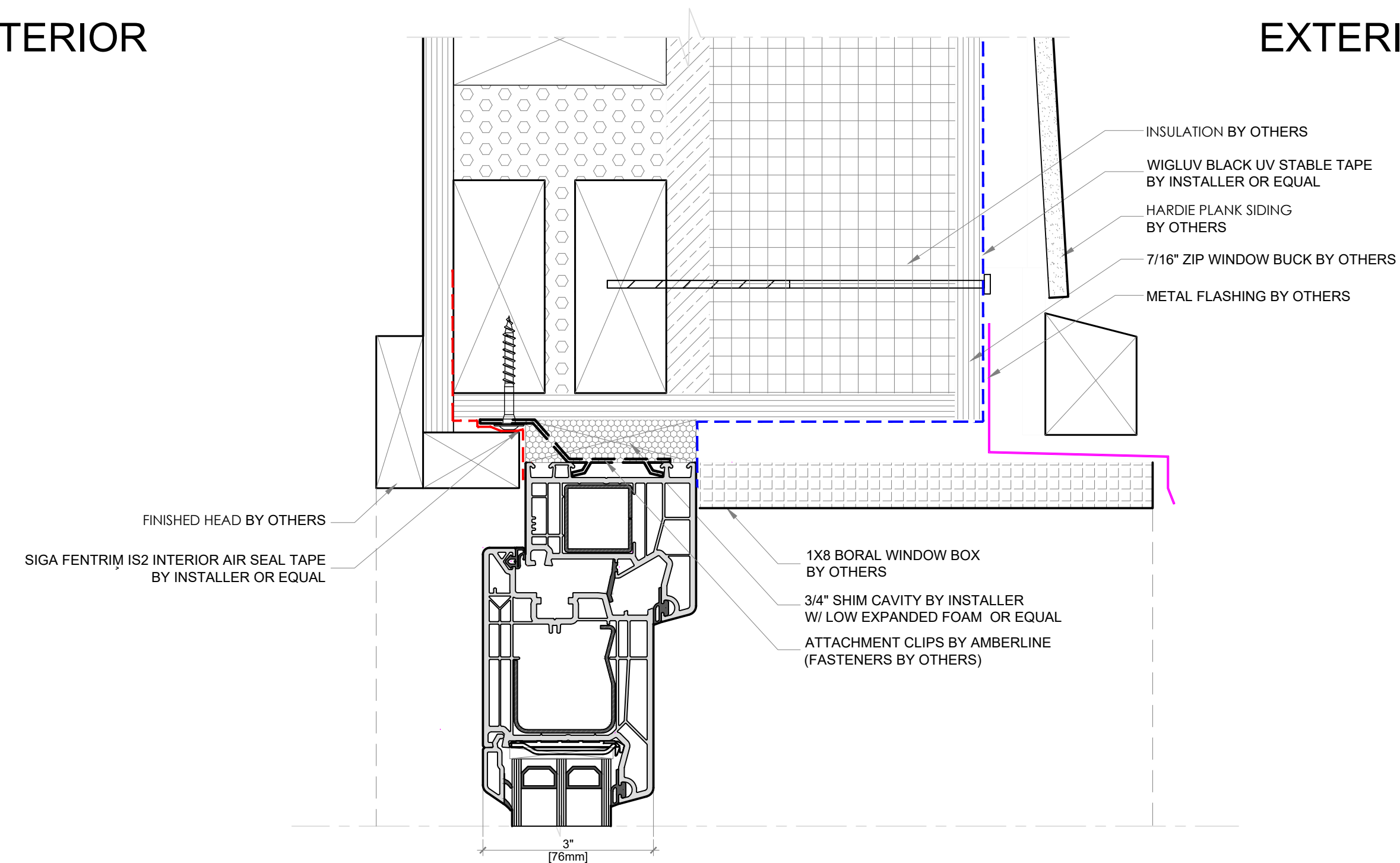
Note: Available in Double & Triple Glazed

Softline PVC Typical Installation Details

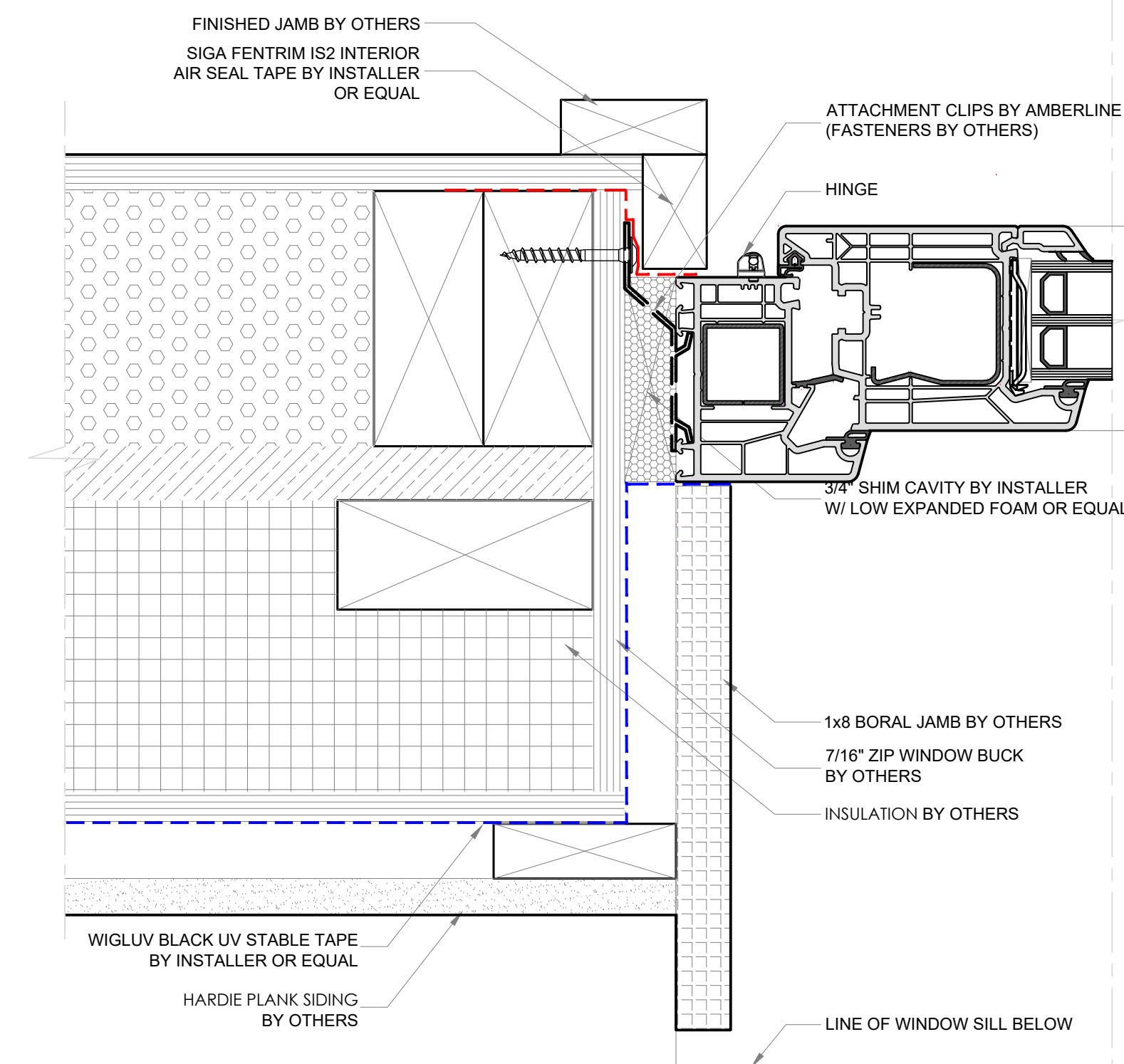
Patio Door - 76mm Profile - Inswing - Inset Install - 5/8" Subfloor and 1/2" Finished Floor - Flush Deck - Walkable Transition

INTERIOR

EXTERIOR



1 INSWING DOOR HEAD DETAIL
DG-10 SCALE: 6" = 1' - 0"

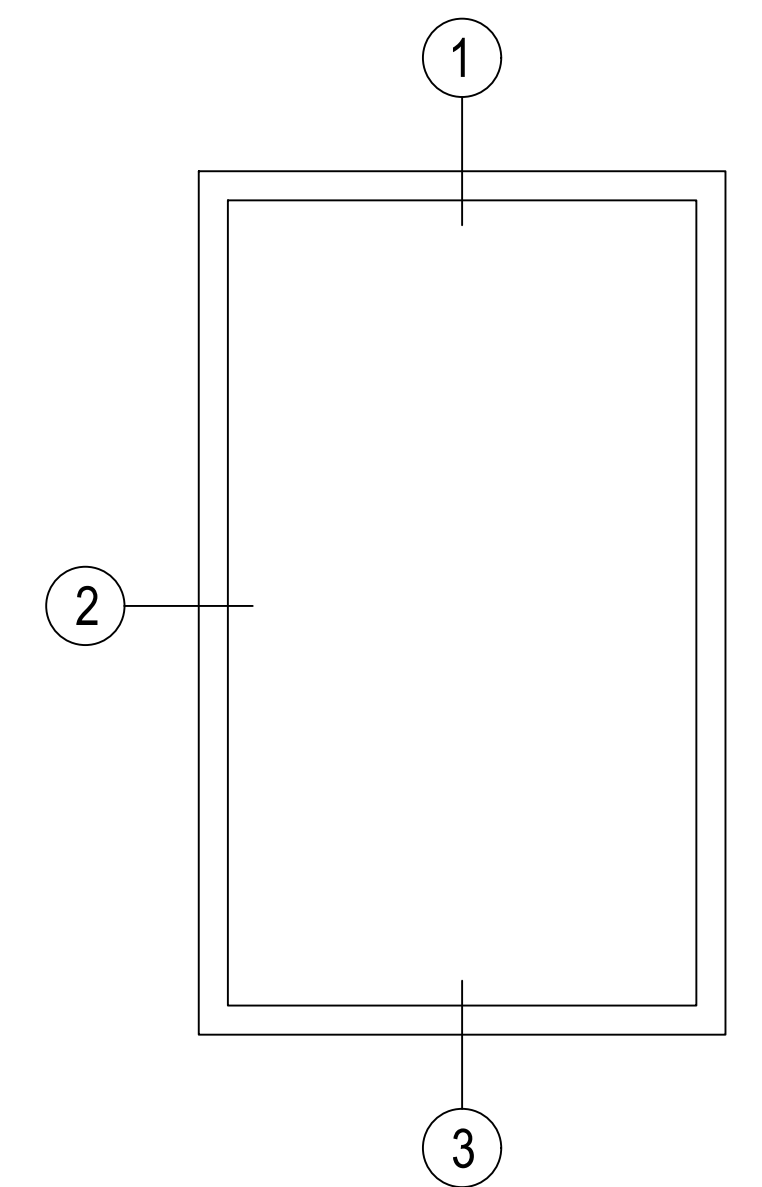


2 INSWING DOOR JAMB DETAIL
DG-10 SCALE: 6" = 1' - 0"

INTERIOR

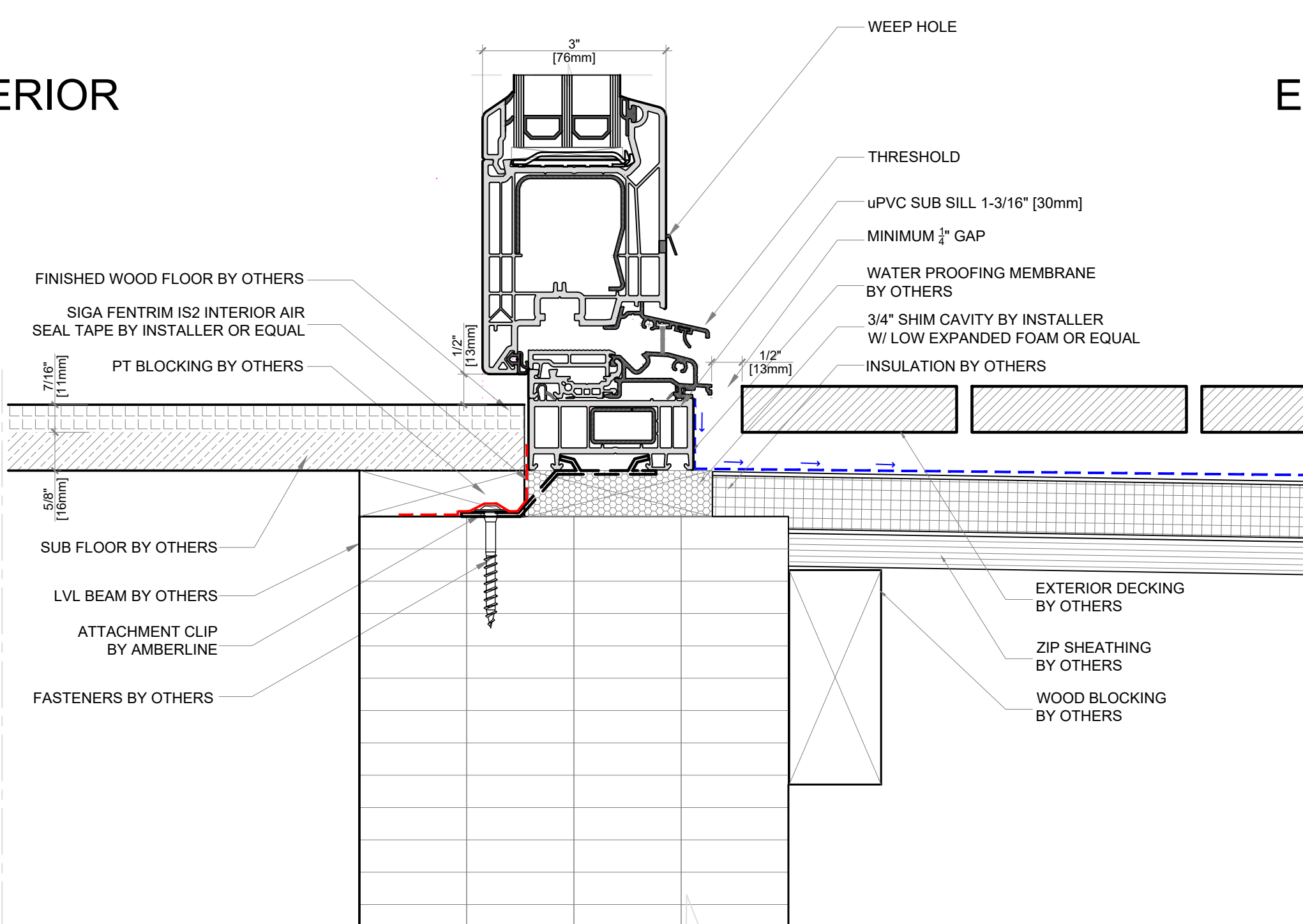
EXTERIOR

Elevation key:

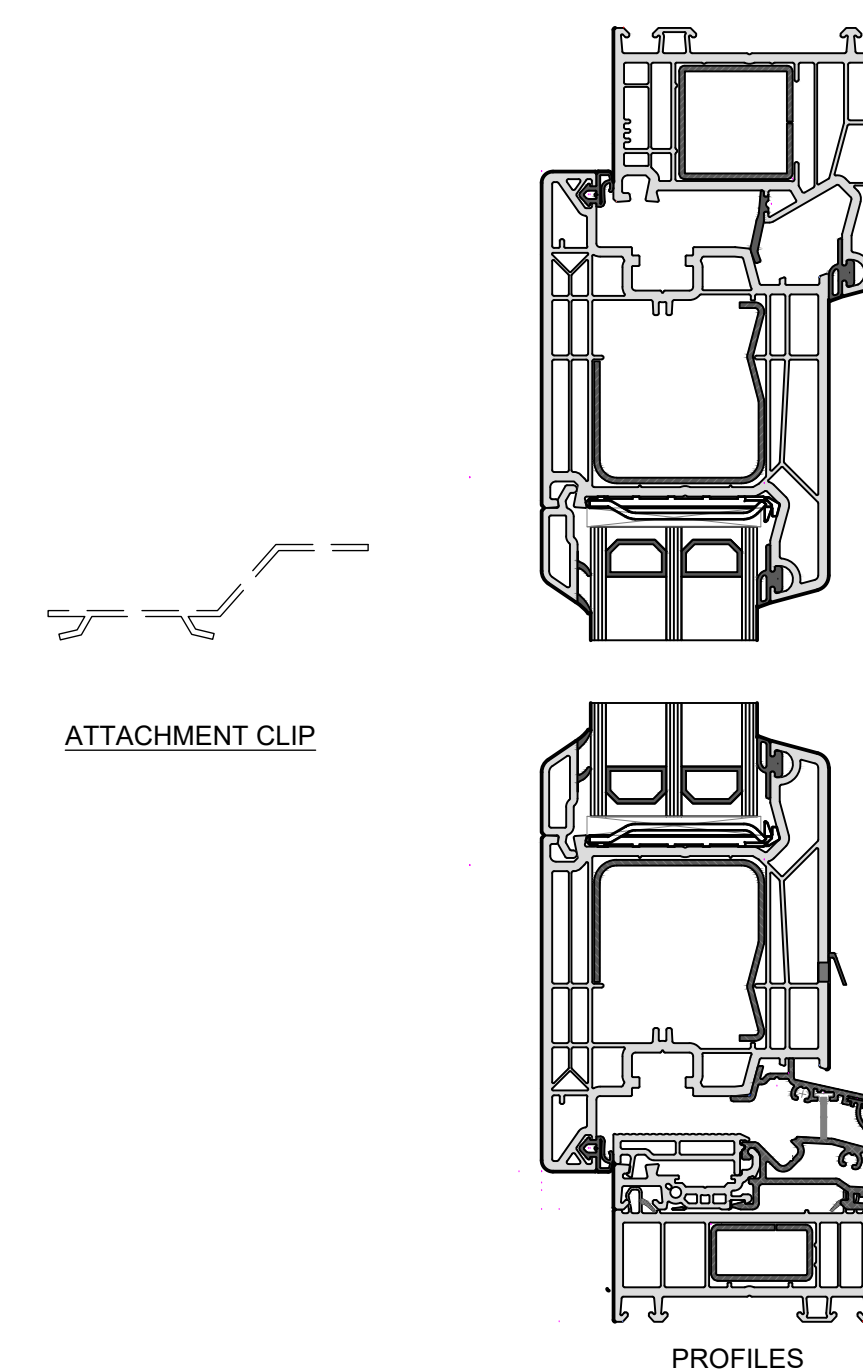


INTERIOR

EXTERIOR



3 INSWING DOOR SILL DETAIL
DG-10 SCALE: 6" = 1' - 0"



4 PROVIDED BY AMBERLINE
DG-10 SCALE: 6" = 1' - 0"

Unit Type: Patio Door
Profile: 76mm Profile
Swing: Inswing
Position in Wall: Inset
Int. Condition: 5/8" Subfloor and 1/2" Finished Floor
Ext. Condition: Flush Deck
Transition: Walkable

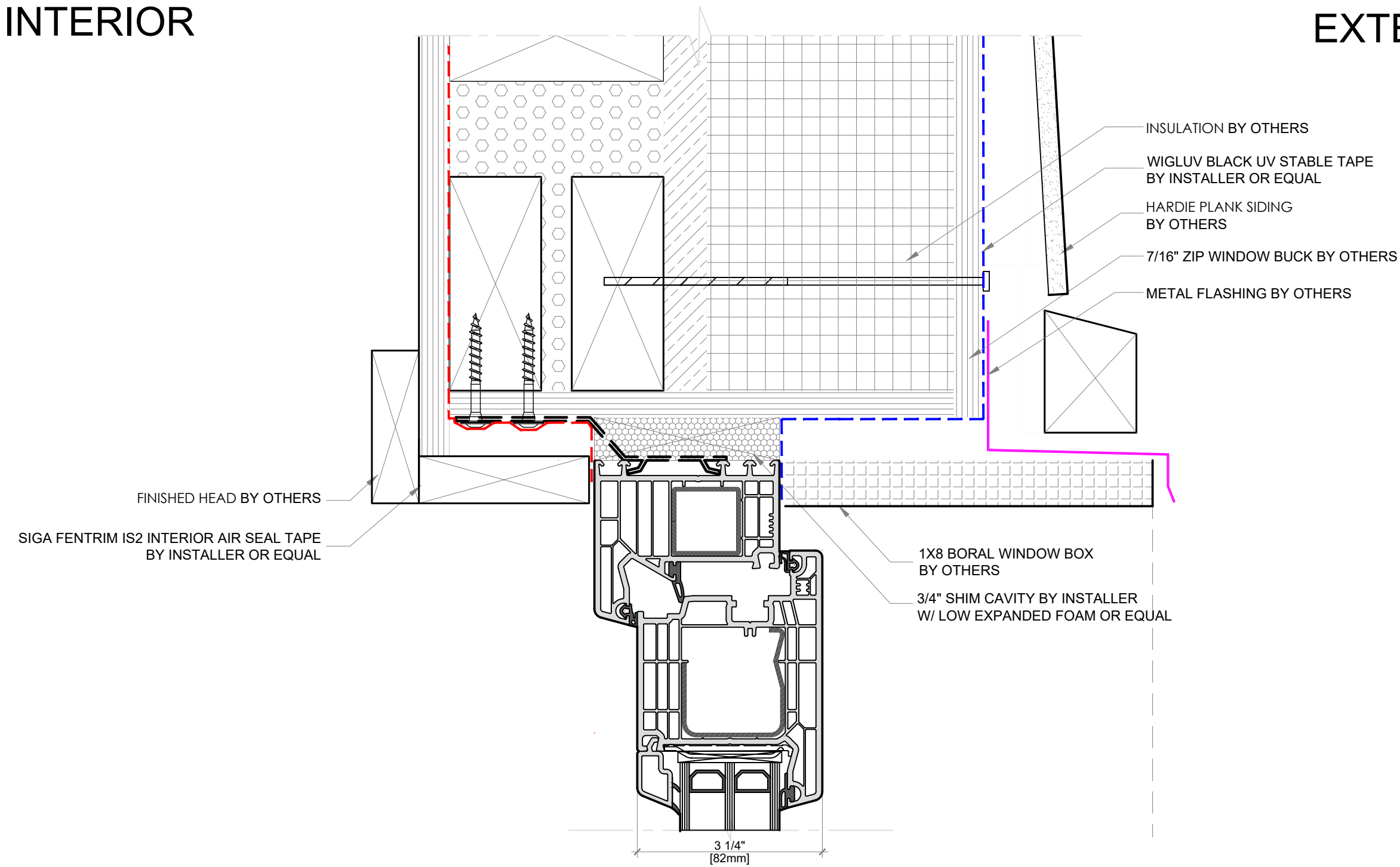
Note: Available in Double & Triple Glazed

Softline PVC Typical Installation Details

Patio Door - 82mm Profile - Outswing - Inset Install - 5/8" Subfloor and 1/2" Finished Floor - Flush Deck - Walkable Transition

INTERIOR

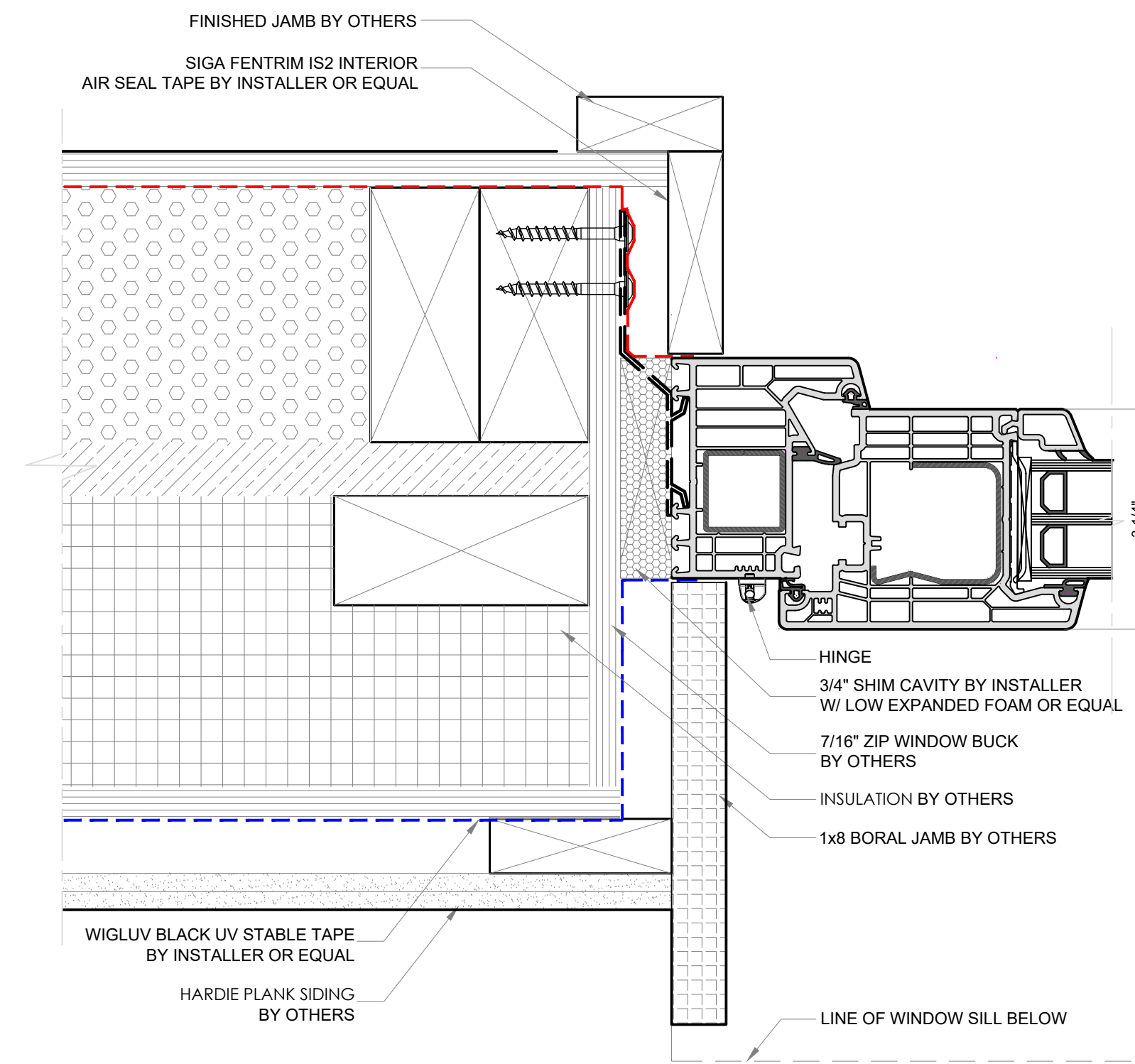
EXTERIOR



1 OUTSWING DOOR HEAD DETAIL
DG-11 SCALE: 6" = 1' - 0"

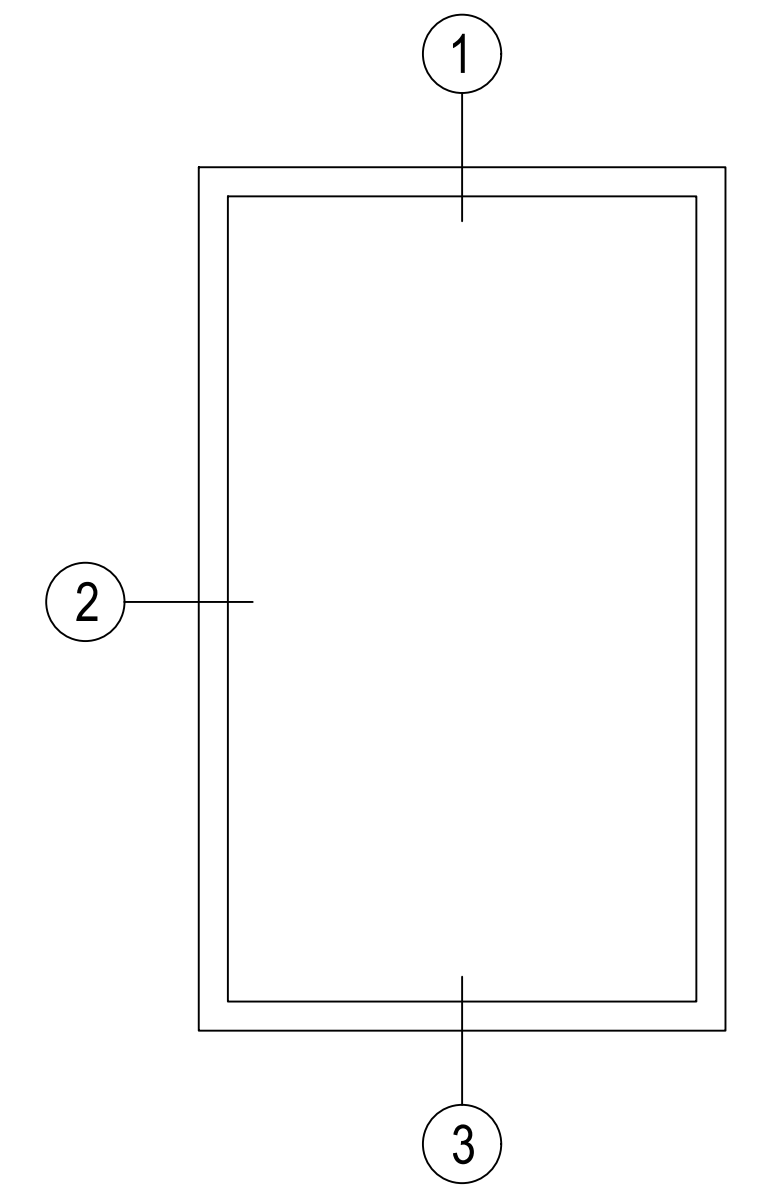
INTERIOR

EXTERIOR



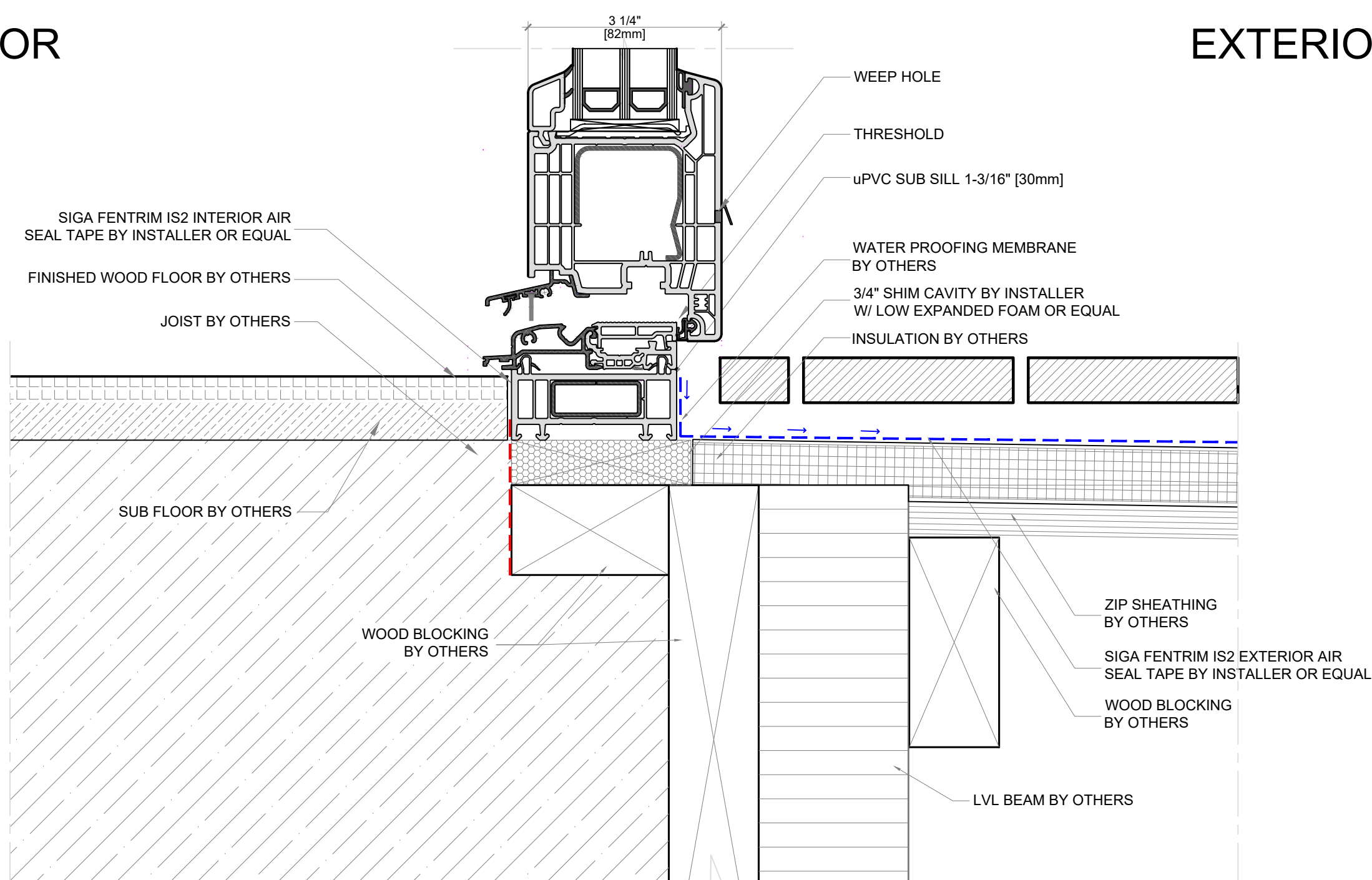
2 OUTSWING DOOR JAMB DETAIL
DG-11 SCALE: 6" = 1' - 0"

Elevation key:

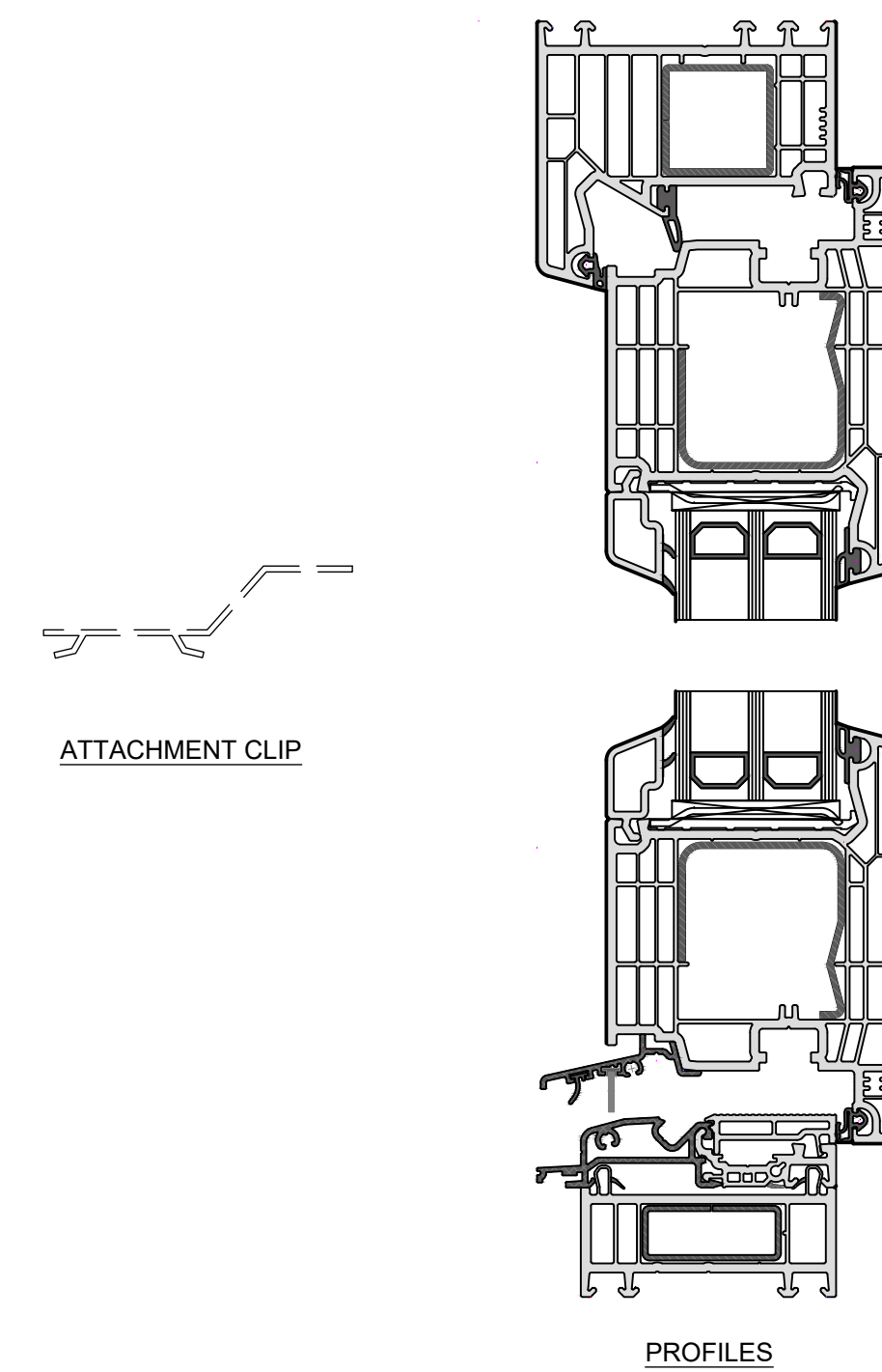


INTERIOR

EXTERIOR



3 OUTSWING DOOR SILL DETAIL
DG-11 SCALE: 6" = 1' - 0"



4 PROVIDED BY AMBERLINE
DG-11 SCALE: 6" = 1' - 0"

Unit Type: Patio Door
Profile: 82mm Profile
Swing: Outswing
Position in Wall: Inset
Int. Condition: 5/8" Subfloor and 1/2" Finished Floor
Ext. Condition: Flush Deck
Transition: Walkable

Note: Available in Double & Triple Glazed

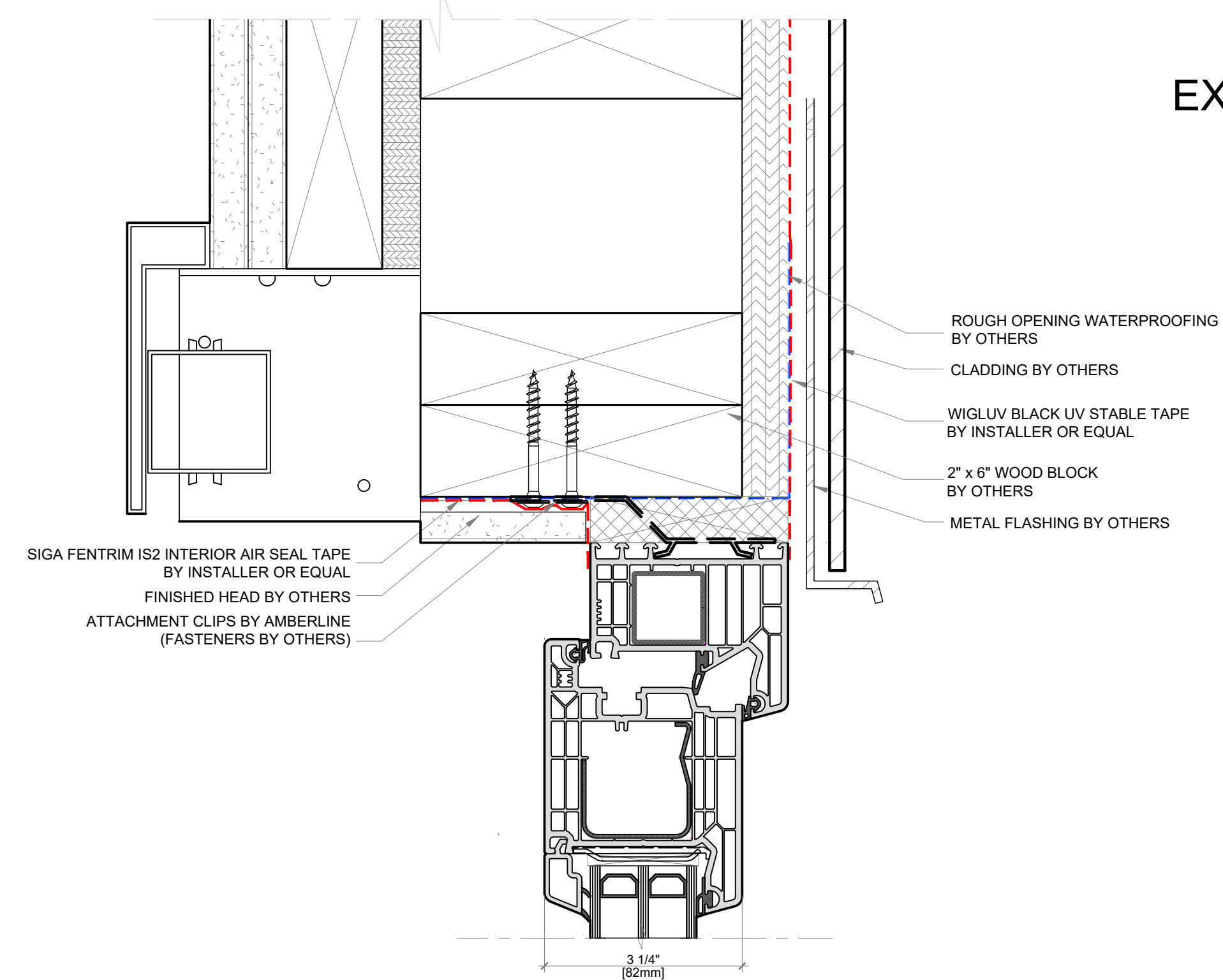
Softline PVC Typical Installation Details

Patio Door - 82mm Profile - Inswing - Flush Install - Rising Steps - Flush Deck - Walkable Transition

A M B E R L I N E
HIGH PERFORMANCE WINDOWS AND DOORS

INTERIOR

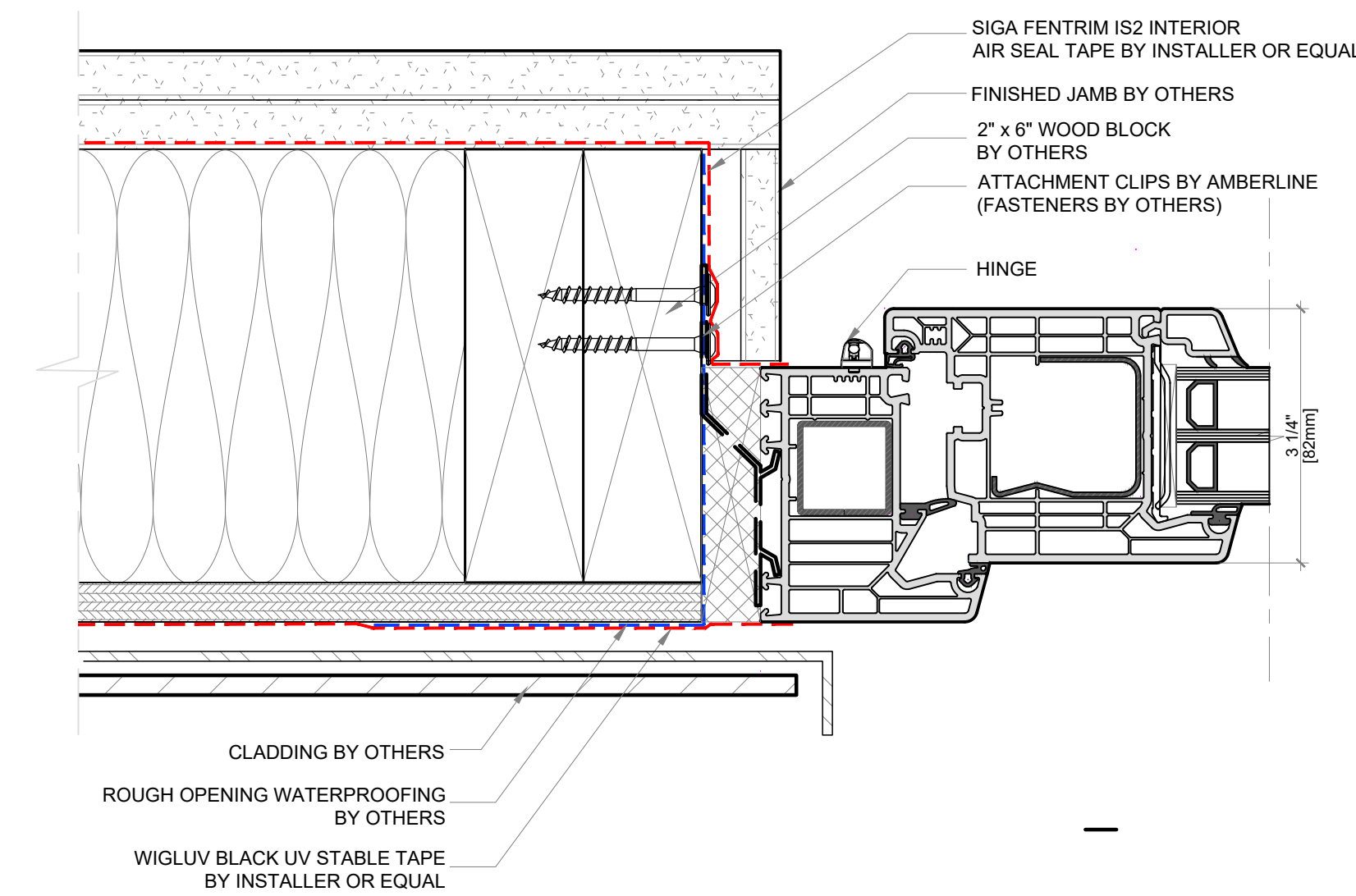
EXTERIOR



1 SLIDER HEAD DETAIL
DG-12 SCALE: 6" = 1'-0"

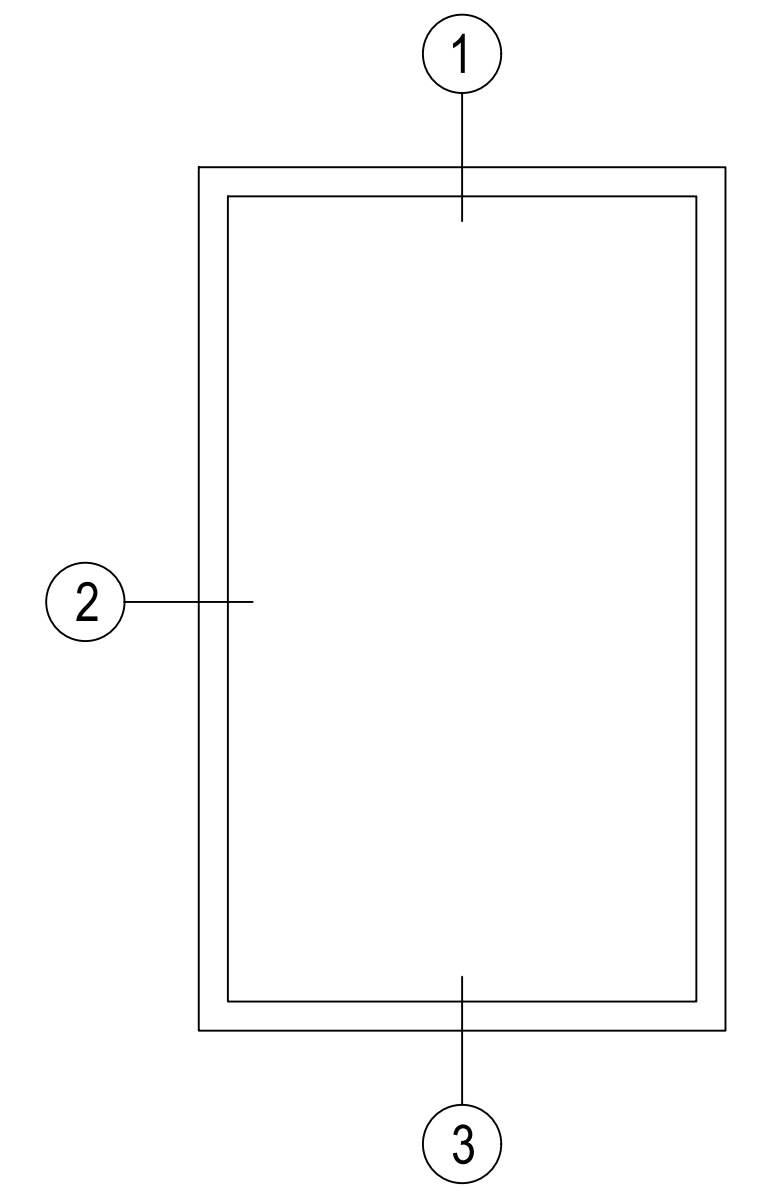
INTERIOR

EXTERIOR



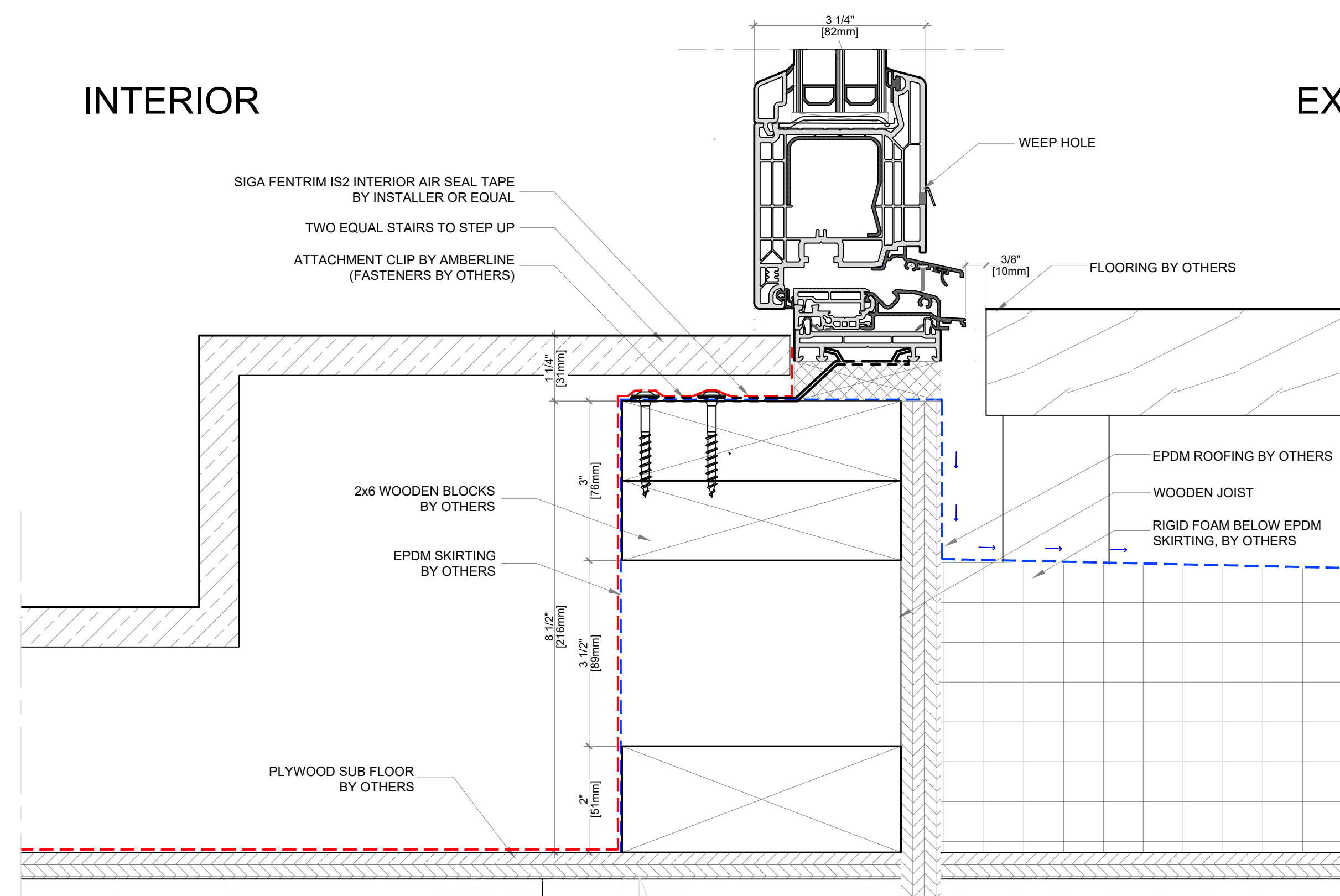
2 SLIDER JAMB DETAIL
DG-12 SCALE: 6" = 1'-0"

Elevation key:

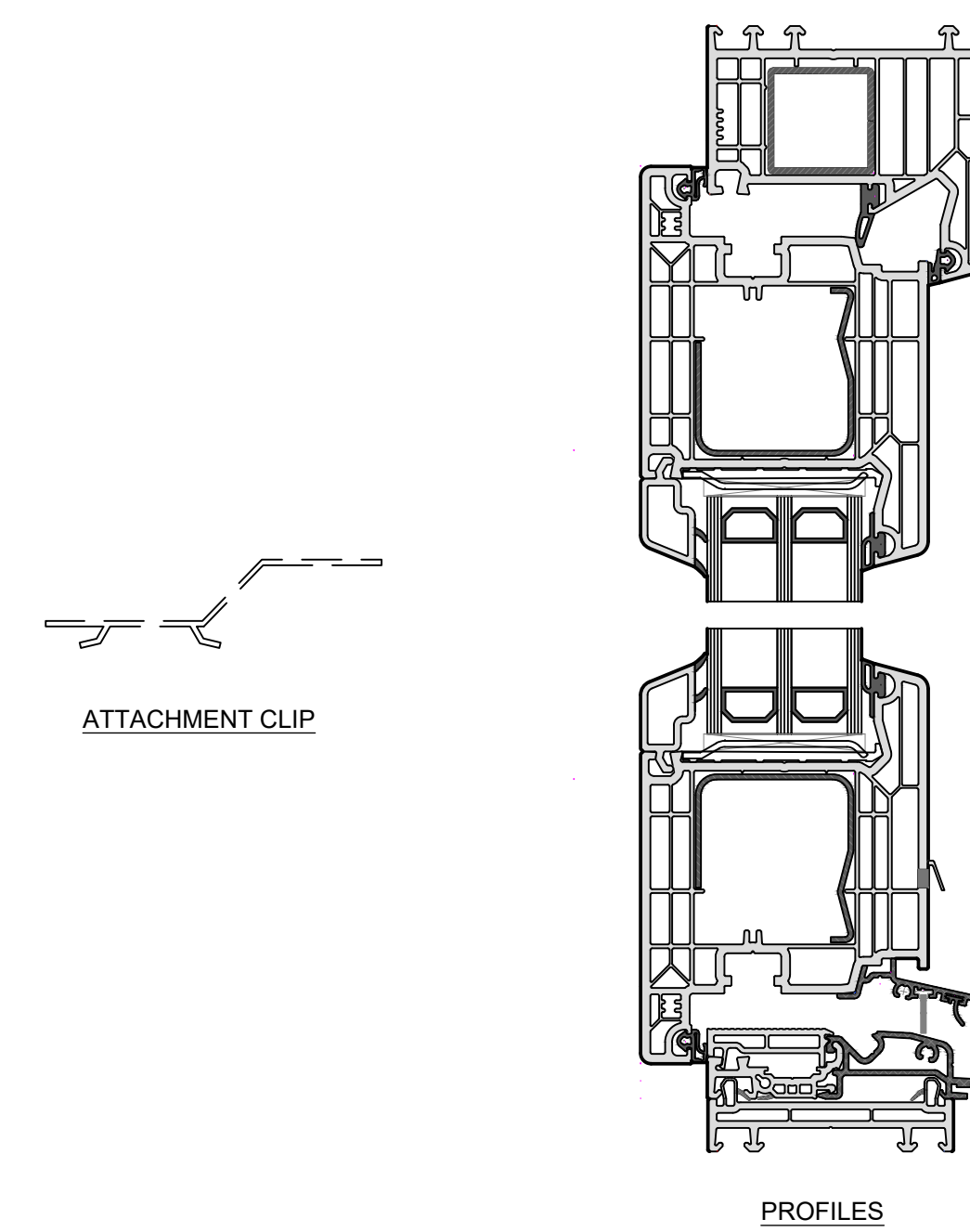


INTERIOR

EXTERIOR



3 SLIDER SILL DETAIL
DG-12 SCALE: 6" = 1'-0"



4 PROVIDED BY AMBERLINE
DG-12 SCALE: 6" = 1'-0"

Unit Type: Patio Door
Profile: 82mm Profile
Swing: Inswing
Position in Wall: Flush
Int. Condition: Rising Steps
Ext. Condition: Flush Deck
Transition: Walkable

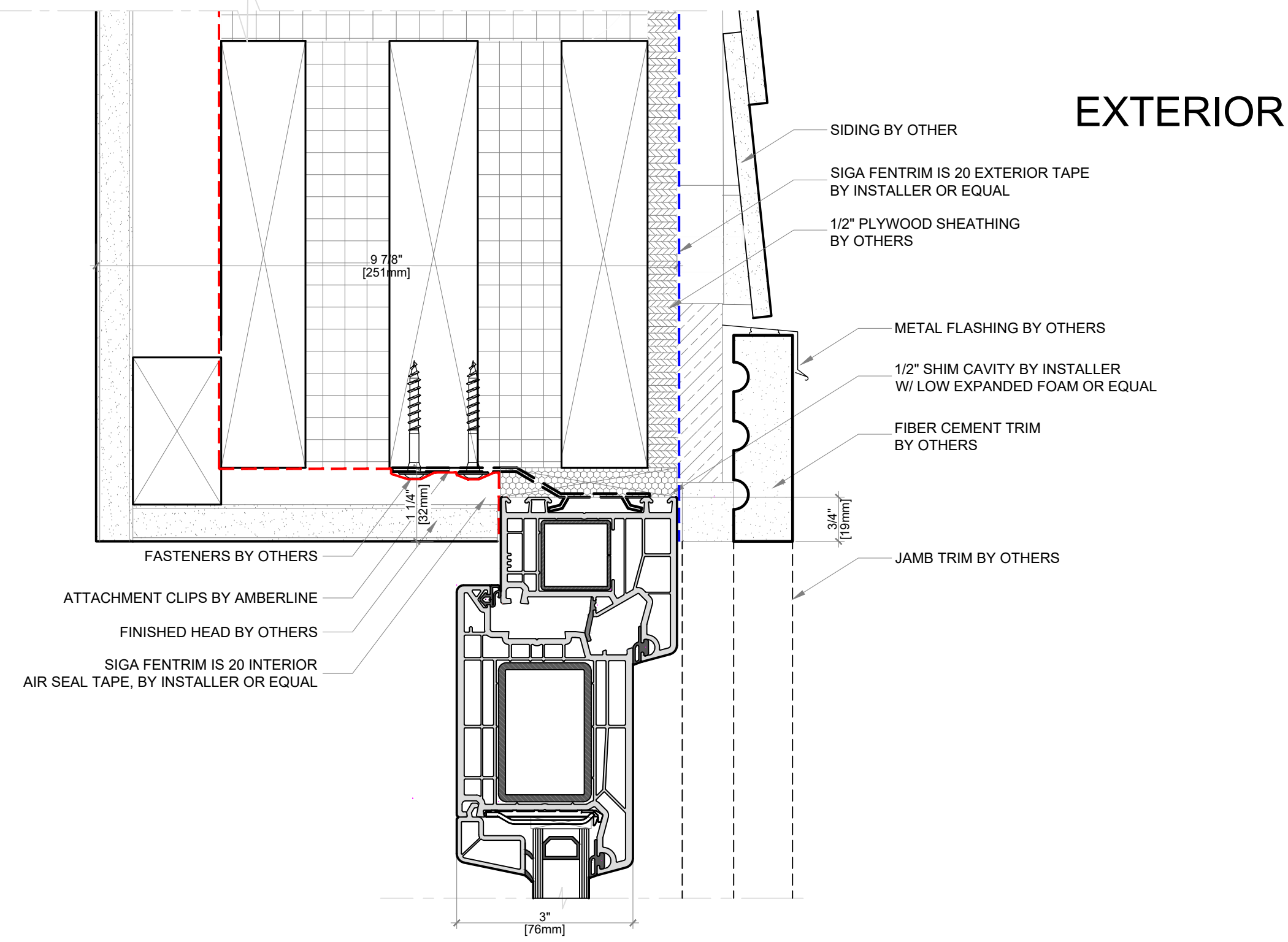
Note: Available in Double & Triple Glazed

Softline PVC Typical Installation Details

A M B E R L I N E

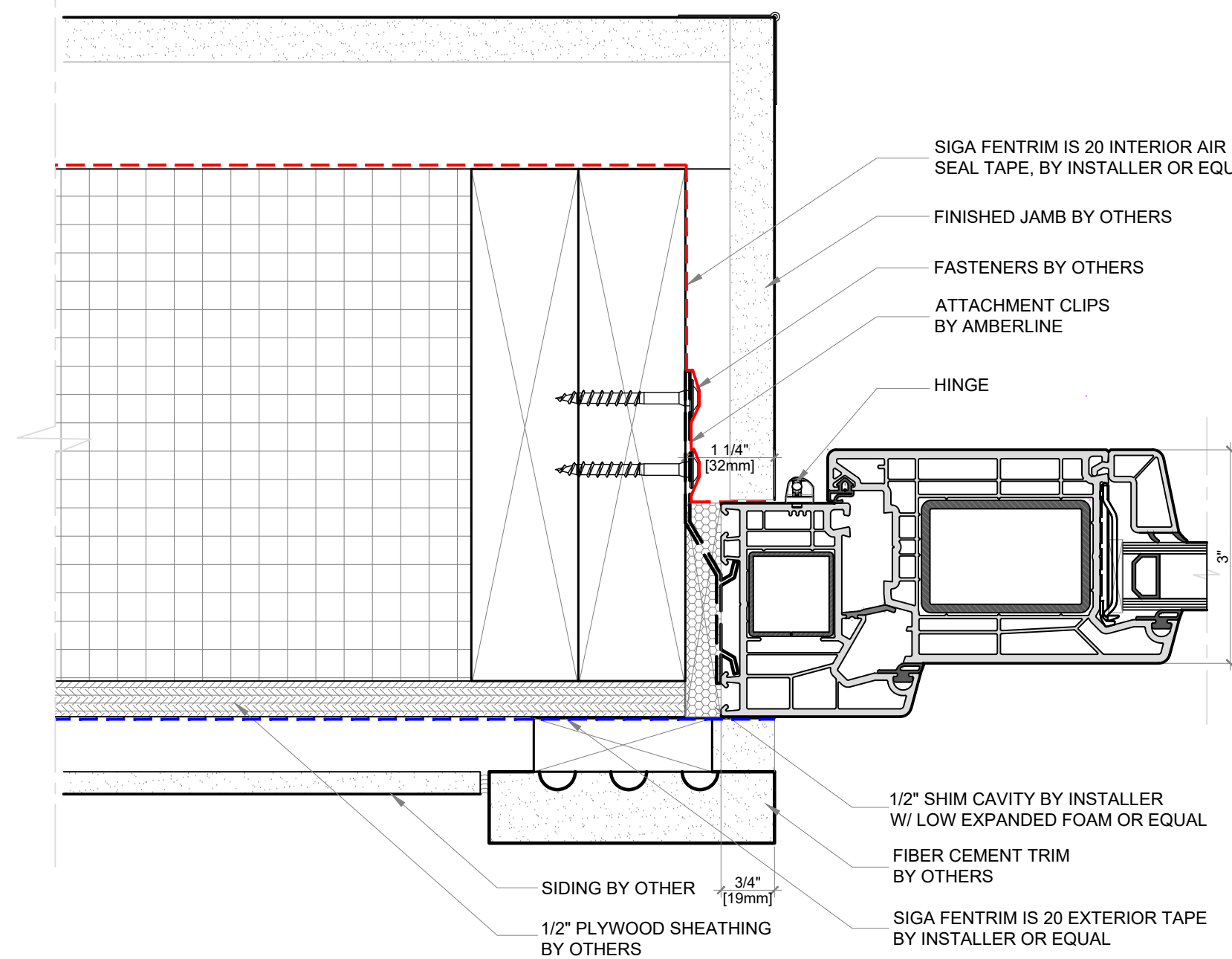
Entry Door - 76mm Profile - Inswing - Flush Install - 1/2" Subfloor and 3/4" Finished Floor - Stepped Down to Deck - Walkable Transition HIGH PERFORMANCE WINDOWS AND DOORS

INTERIOR



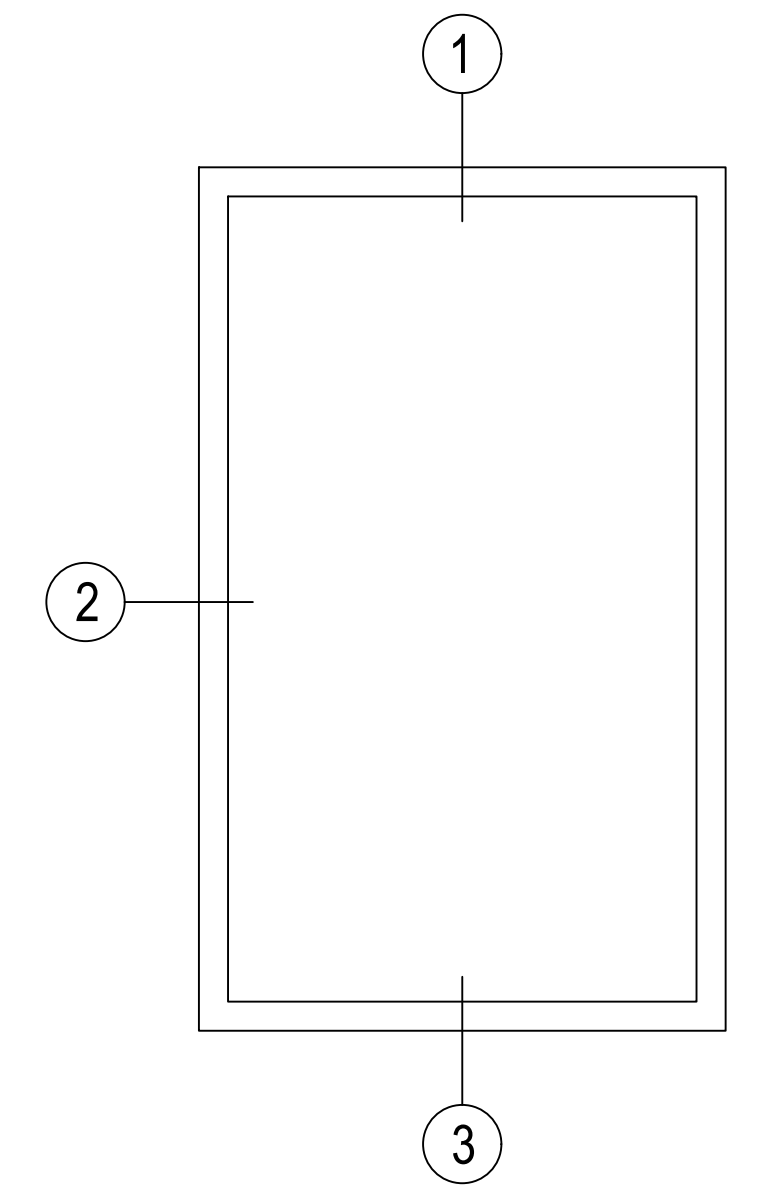
1 INSWING ENTRY DOOR HEAD DETAIL
DG-13 SCALE: 6" = 1' - 0"

INTERIOR

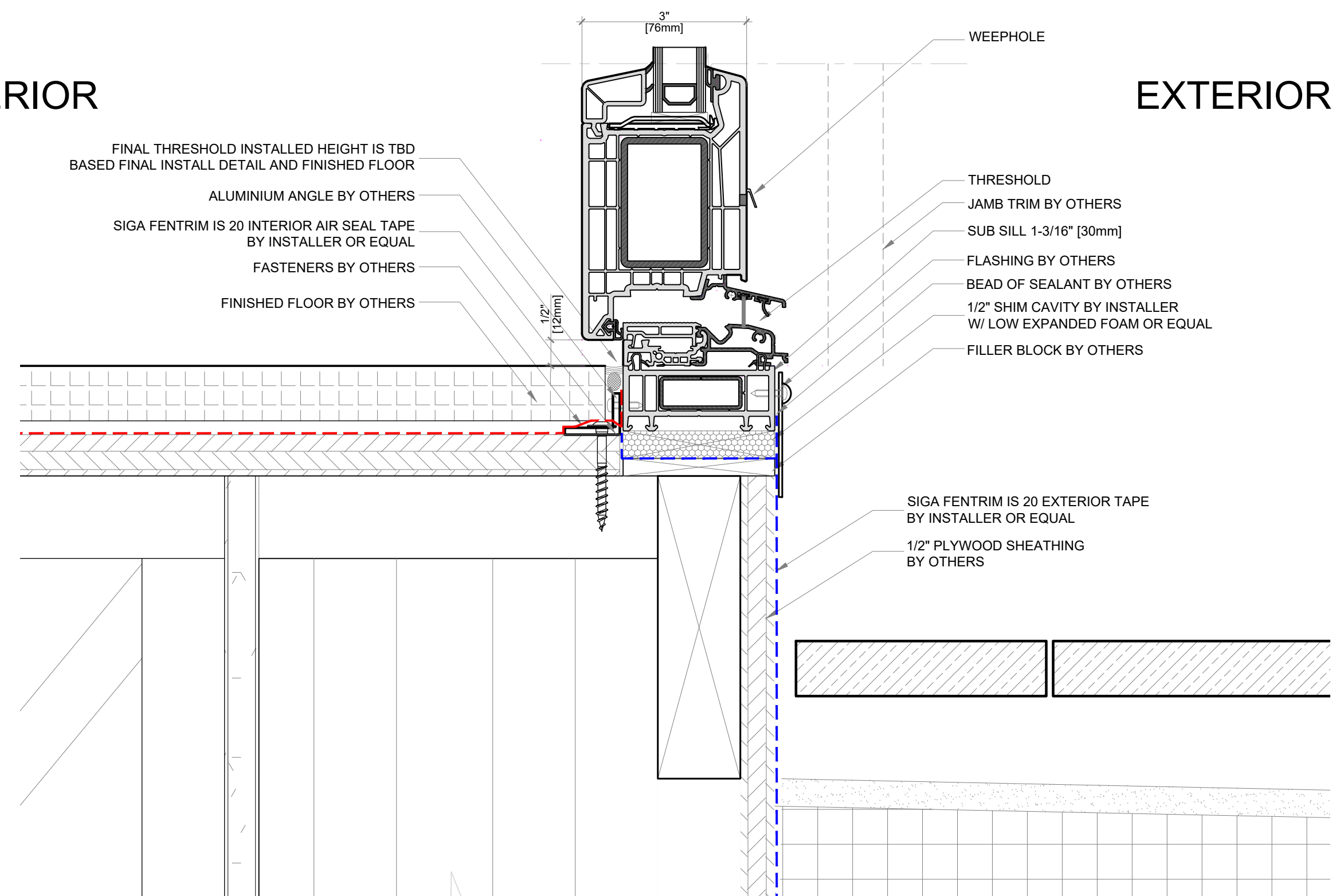


2 INSWING ENTRY DOOR JAMB DETAIL
DG-13 SCALE: 6" = 1' - 0"

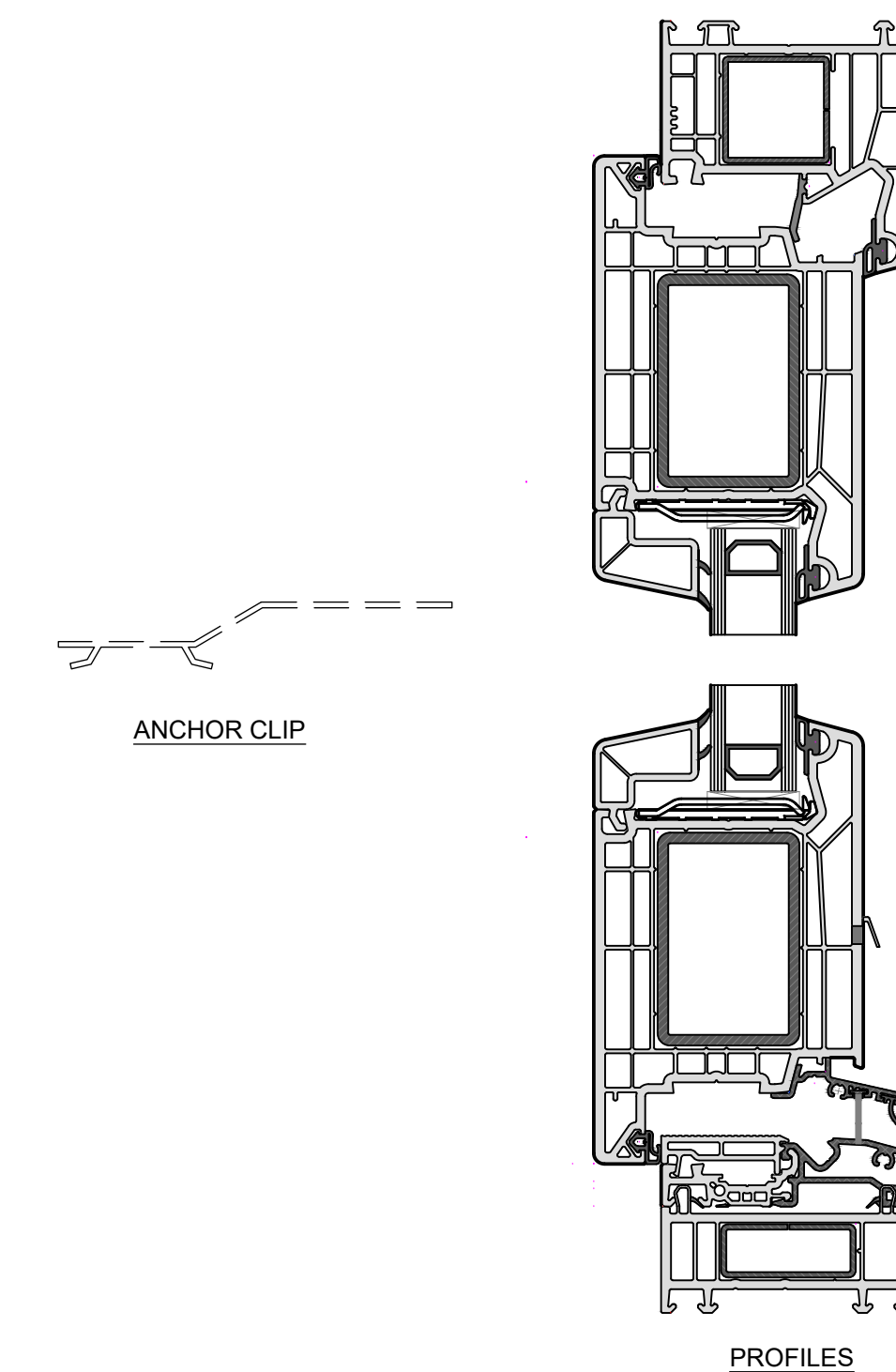
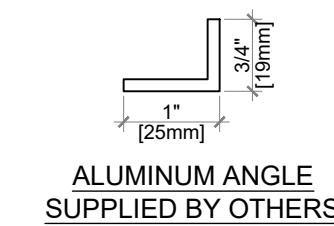
Elevation key:



INTERIOR



3 INSWING ENTRY DOOR SILL DETAIL
DG-13 SCALE: 6" = 1' - 0"



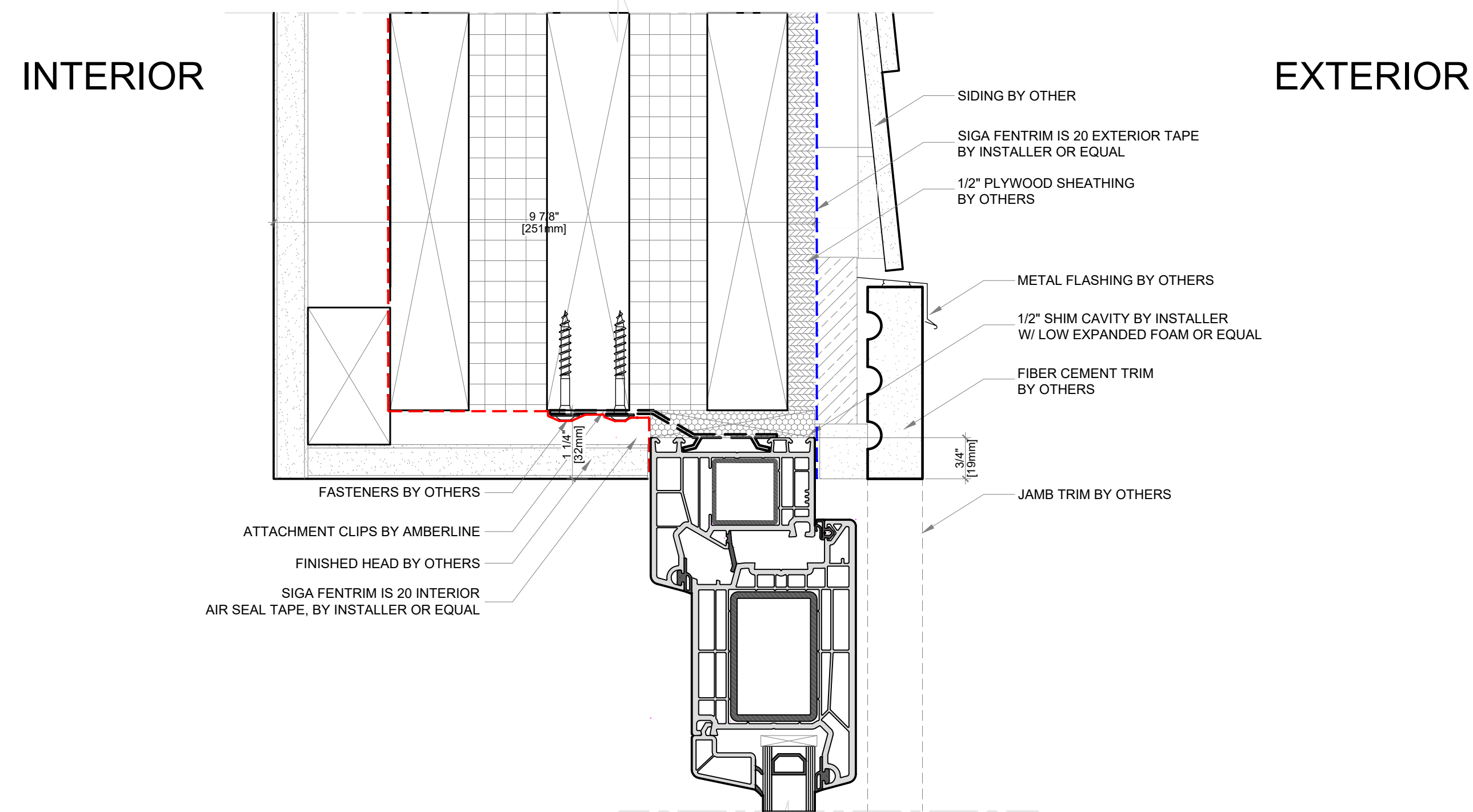
4 PROVIDED BY AMBERLINE
DG-13 SCALE: 6" = 1' - 0"

Unit Type: Entry Door
Profile: 76mm Profile
Swing: Inswing
Position in Wall: Flush
Int. Condition: 1/2" Subfloor and 3/4" Finished Floor
Ext. Condition: Stepped Down to Deck
Transition: Walkable

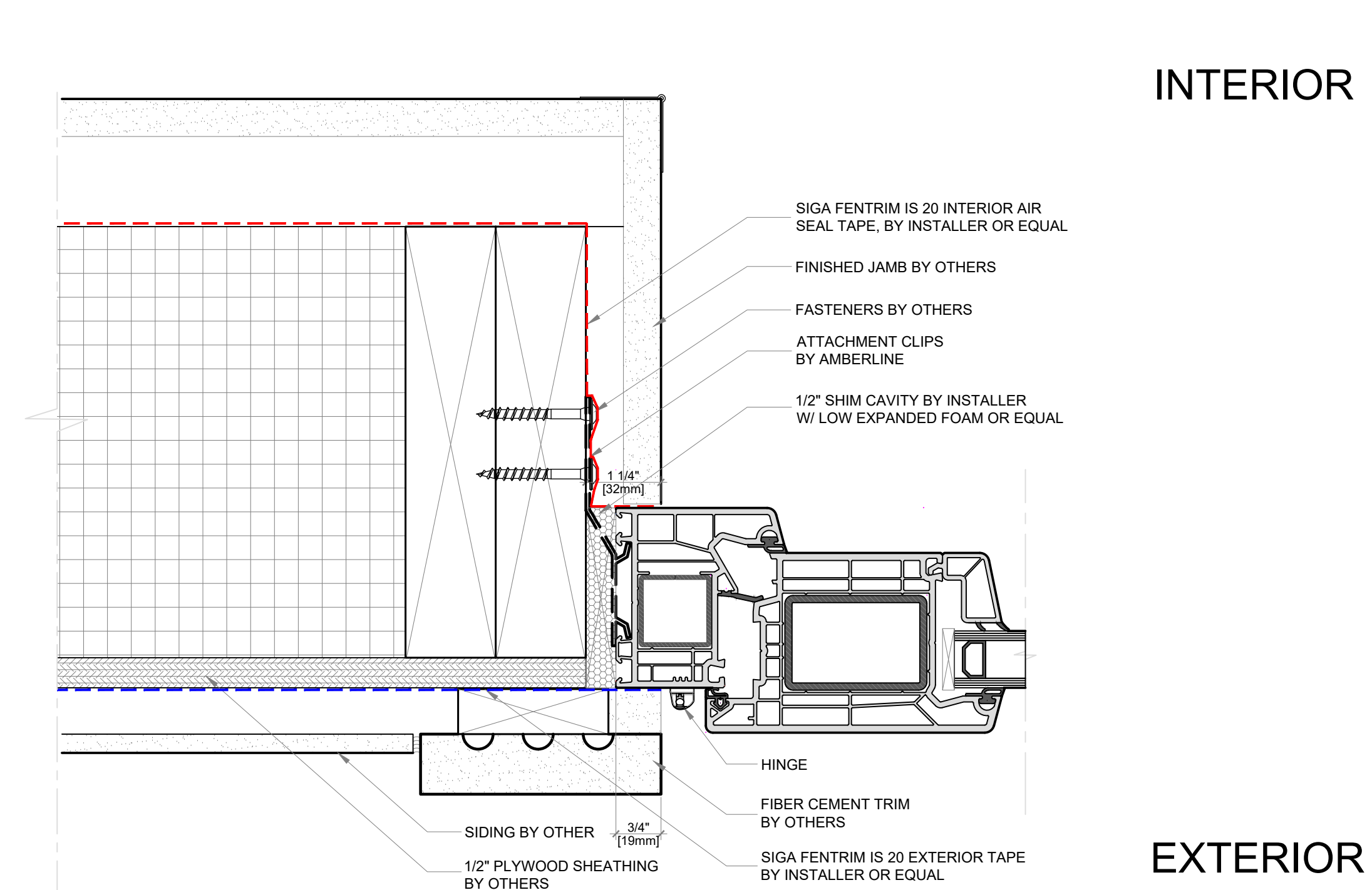
Note: Available in Double & Triple Glazed

Softline PVC Typical Installation Details

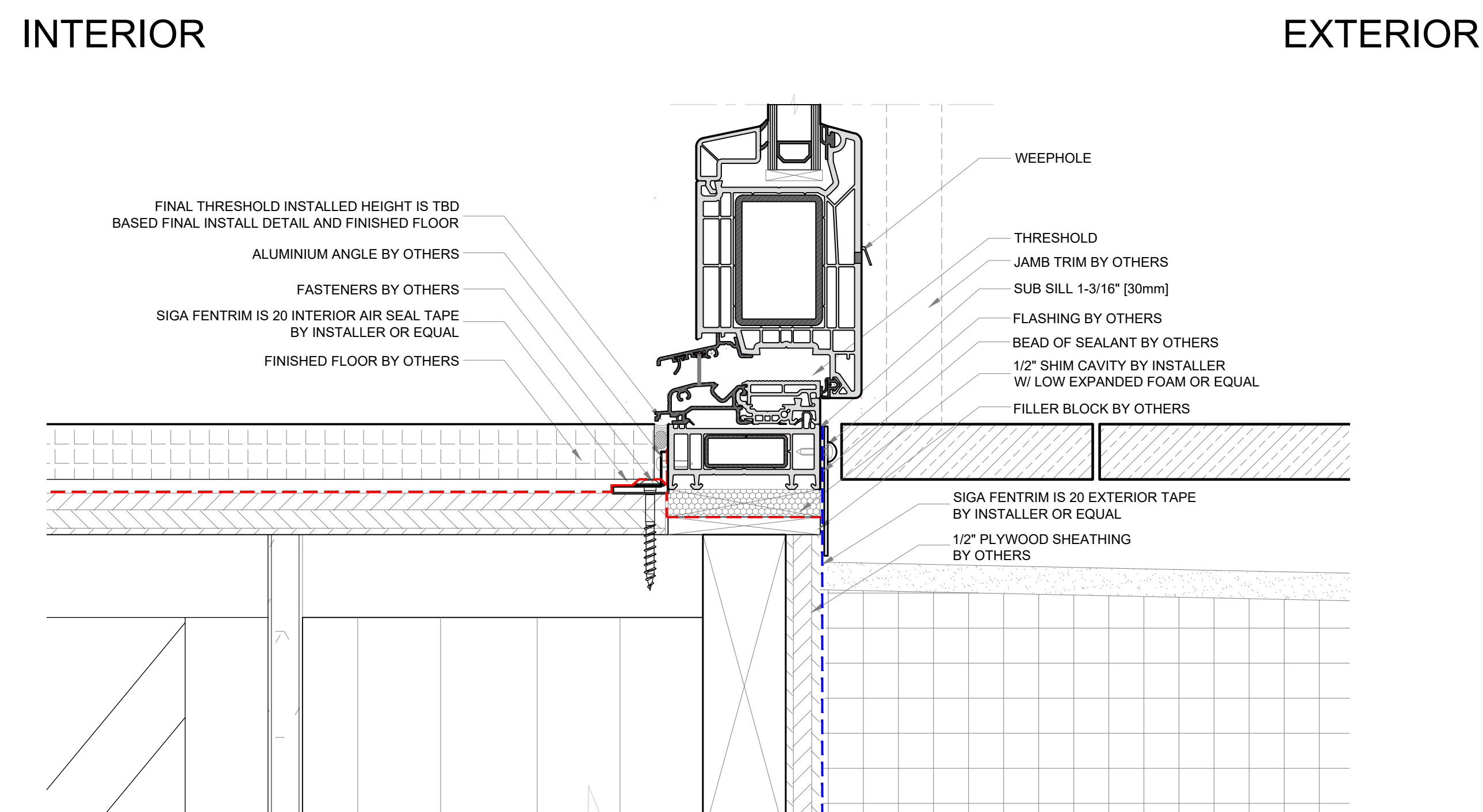
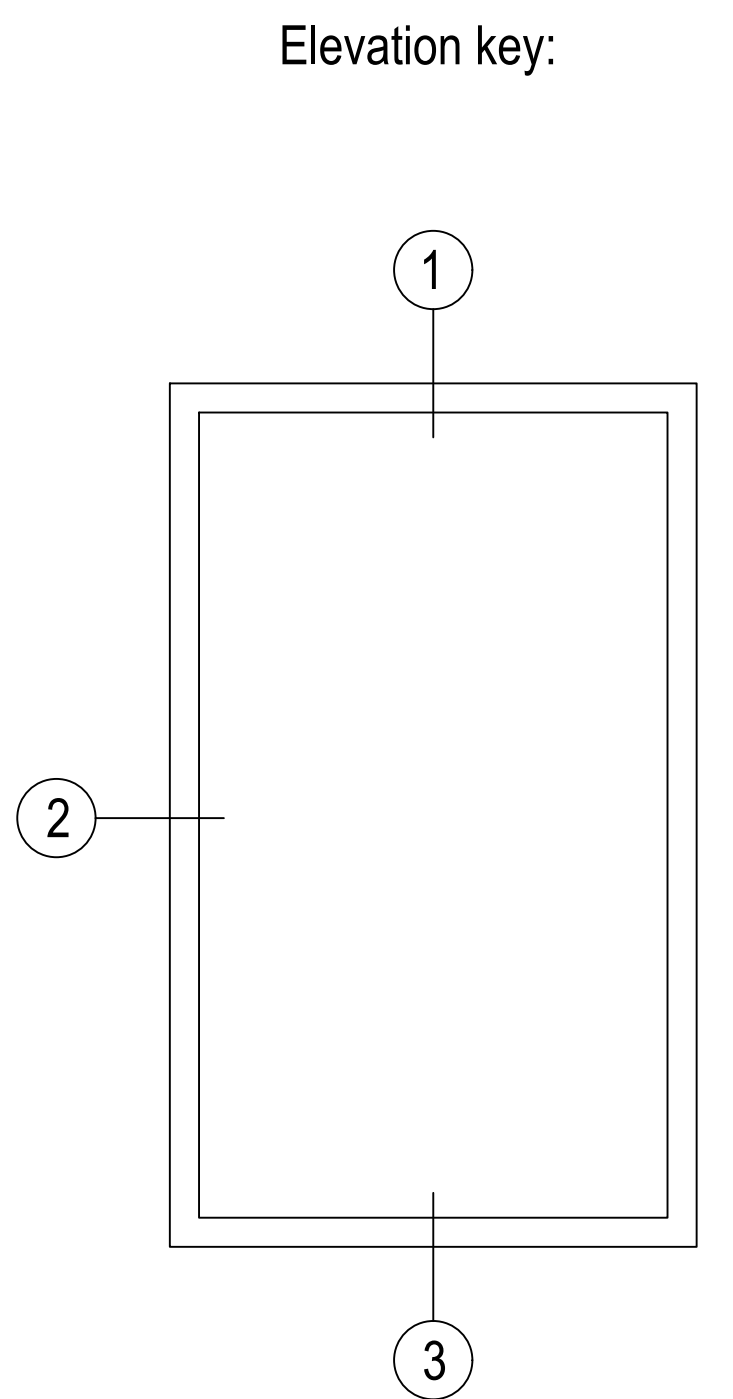
Entry Door - 76mm Profile - Outswing - Flush Install - 1/2" Subfloor and 3/4" Finished Floor - Flush Deck - Walkable Transition



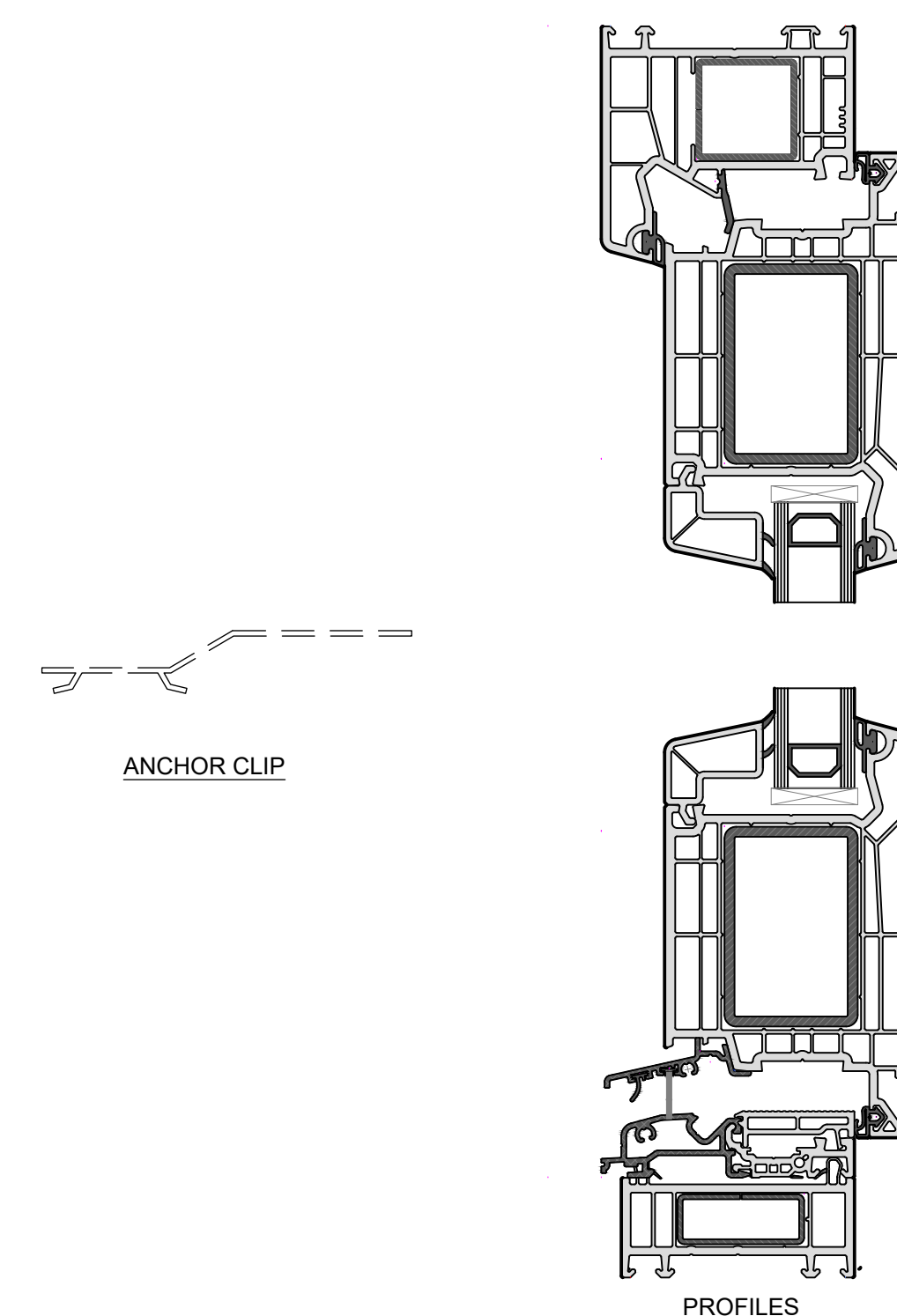
1 OUTSWING ENTRY DOOR HEAD DETAIL
DG-14 SCALE: 6" = 1' - 0"



2 OUTSWING ENTRY DOOR JAMB DETAIL
DG-14 SCALE: 6" = 1' - 0"



3 OUTSWING ENTRY DOOR SILL DETAIL
DG-14 SCALE: 6" = 1' - 0"



4 PROVIDED BY AMBERLINE
DG-14 SCALE: 6" = 1' - 0"

Unit Type: Entry Door
Profile: 76mm Profile
Swing: Outswing
Position in Wall: Flush
Int. Condition: 1/2" Subfloor and 3/4" Finished Floor
Ext. Condition: Flush Deck
Transition: Walkable

Note: Maintain a Gap Between the Subsill and Deck for Drainage

Note: Available in Double & Triple Glazed

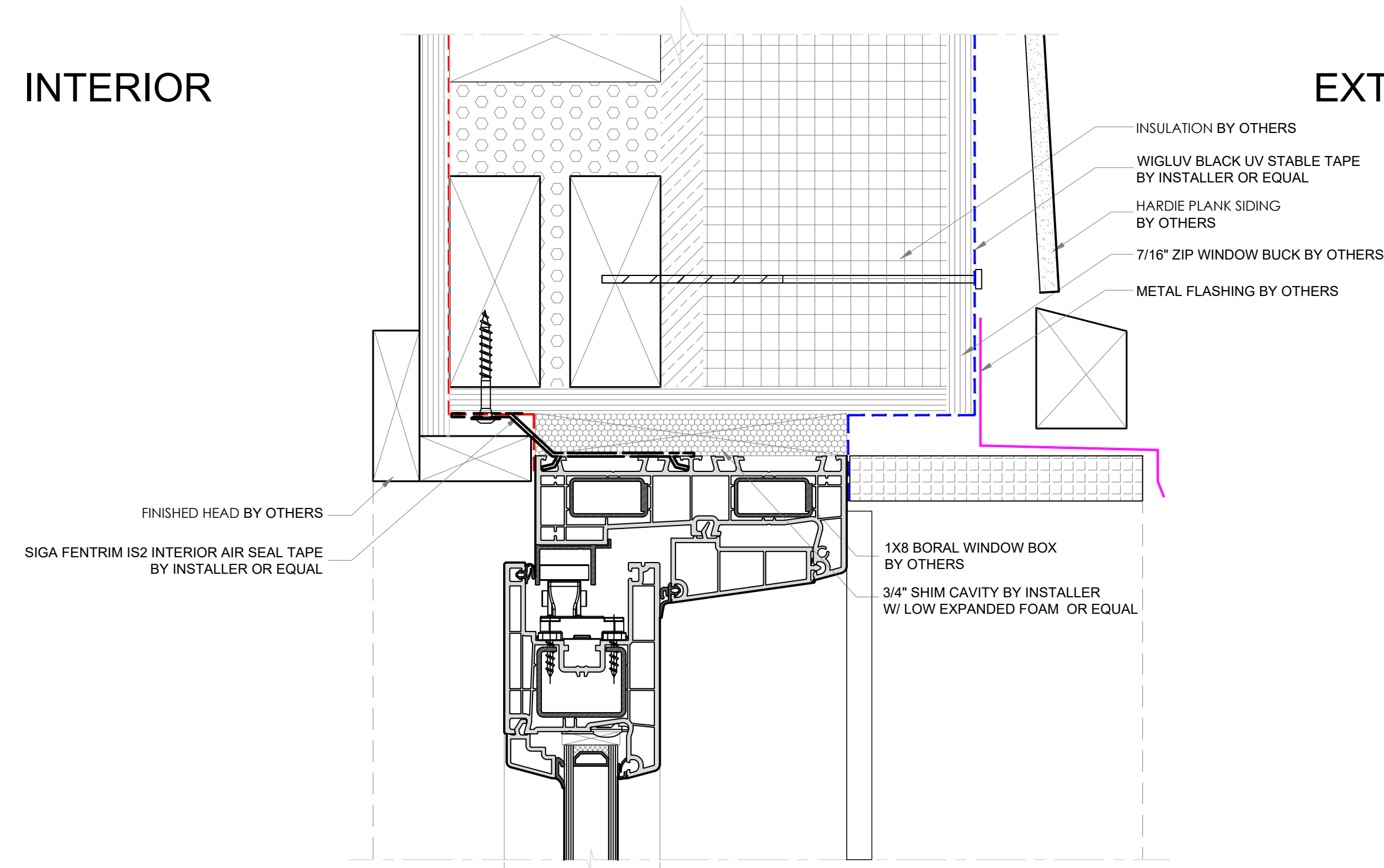
Softline PVC Typical Installation Details

Slider - 70mm SmartSlide - Sliding - Projected Install - 3/4" Subfloor and 3/4" Finished Floor - Flush Deck - Walkable Transition

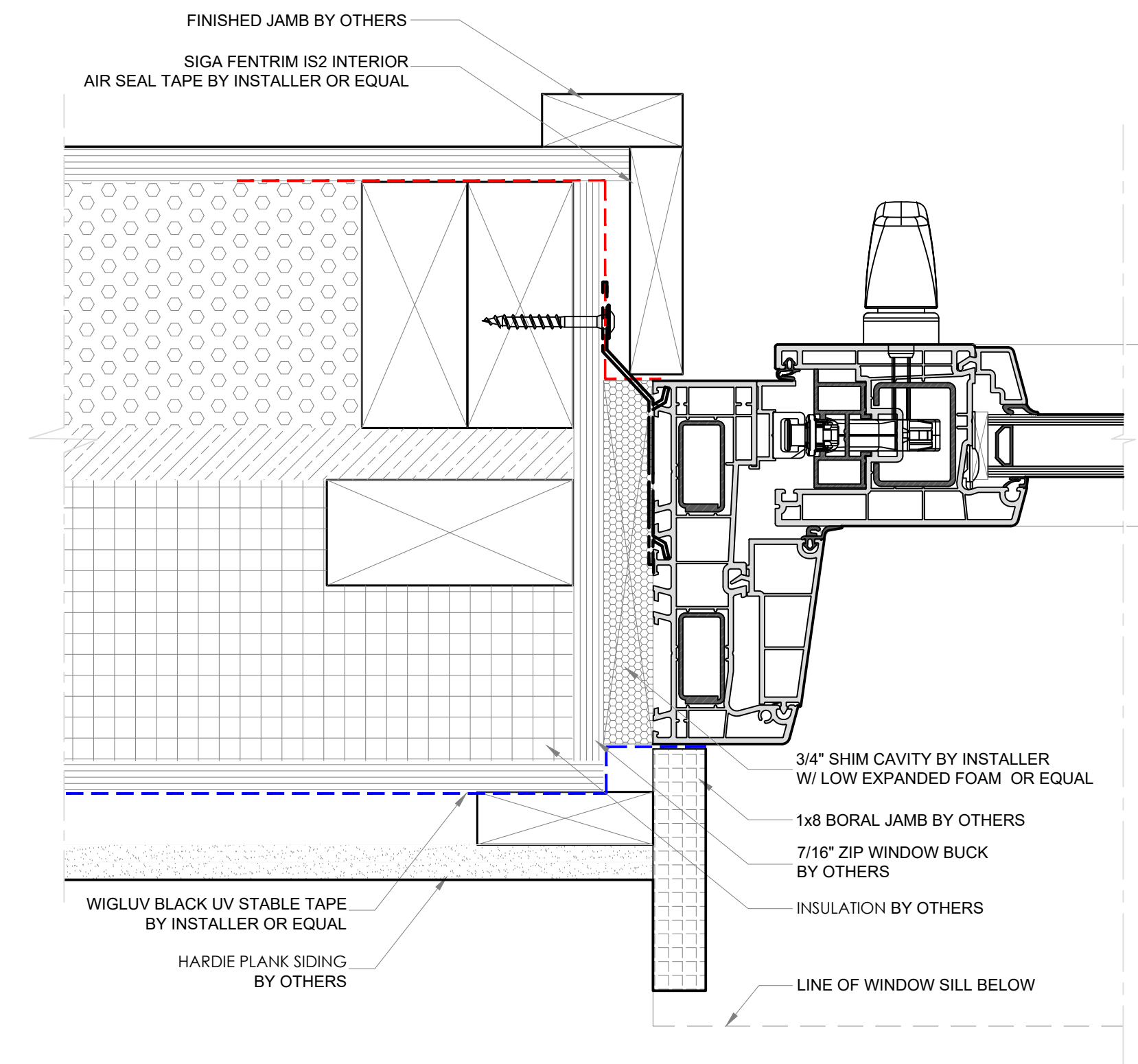
A M B E R L I N E
HIGH PERFORMANCE WINDOWS AND DOORS

INTERIOR

EXTERIOR



1 SMART SLIDE HEAD DETAIL
DG-15 SCALE: 6" = 1' - 0"

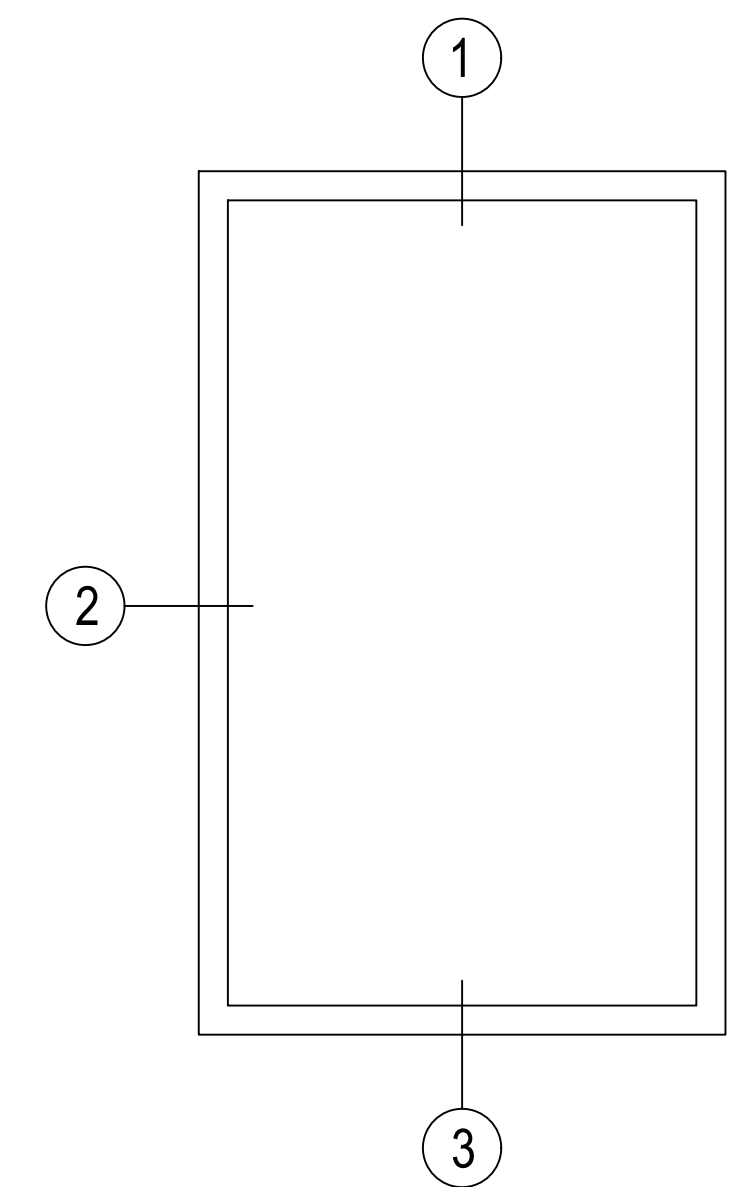


2 SMART SLIDE JAMB DETAIL
DG-15 SCALE: 6" = 1' - 0"

INTERIOR

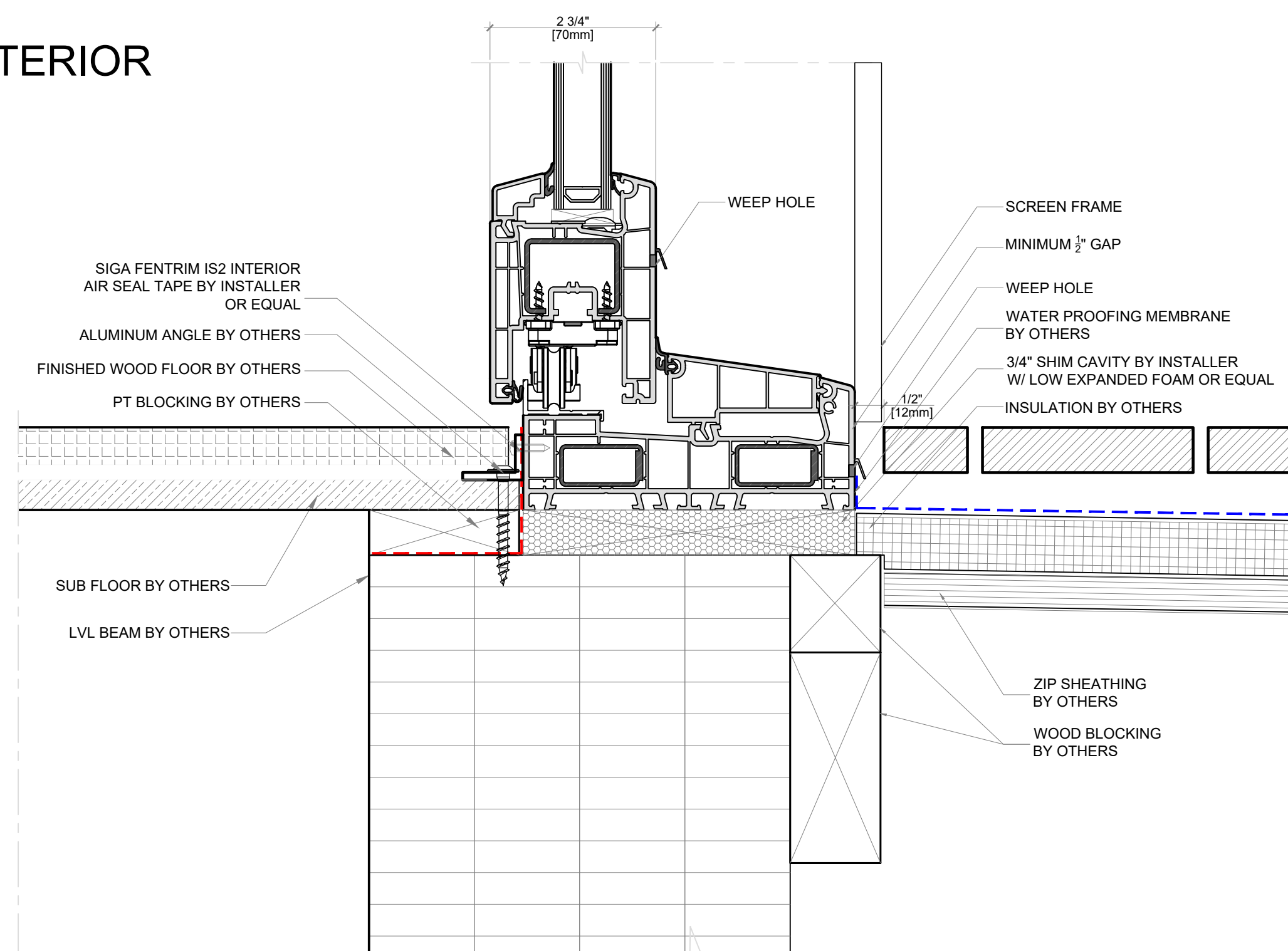
EXTERIOR

Elevation key:

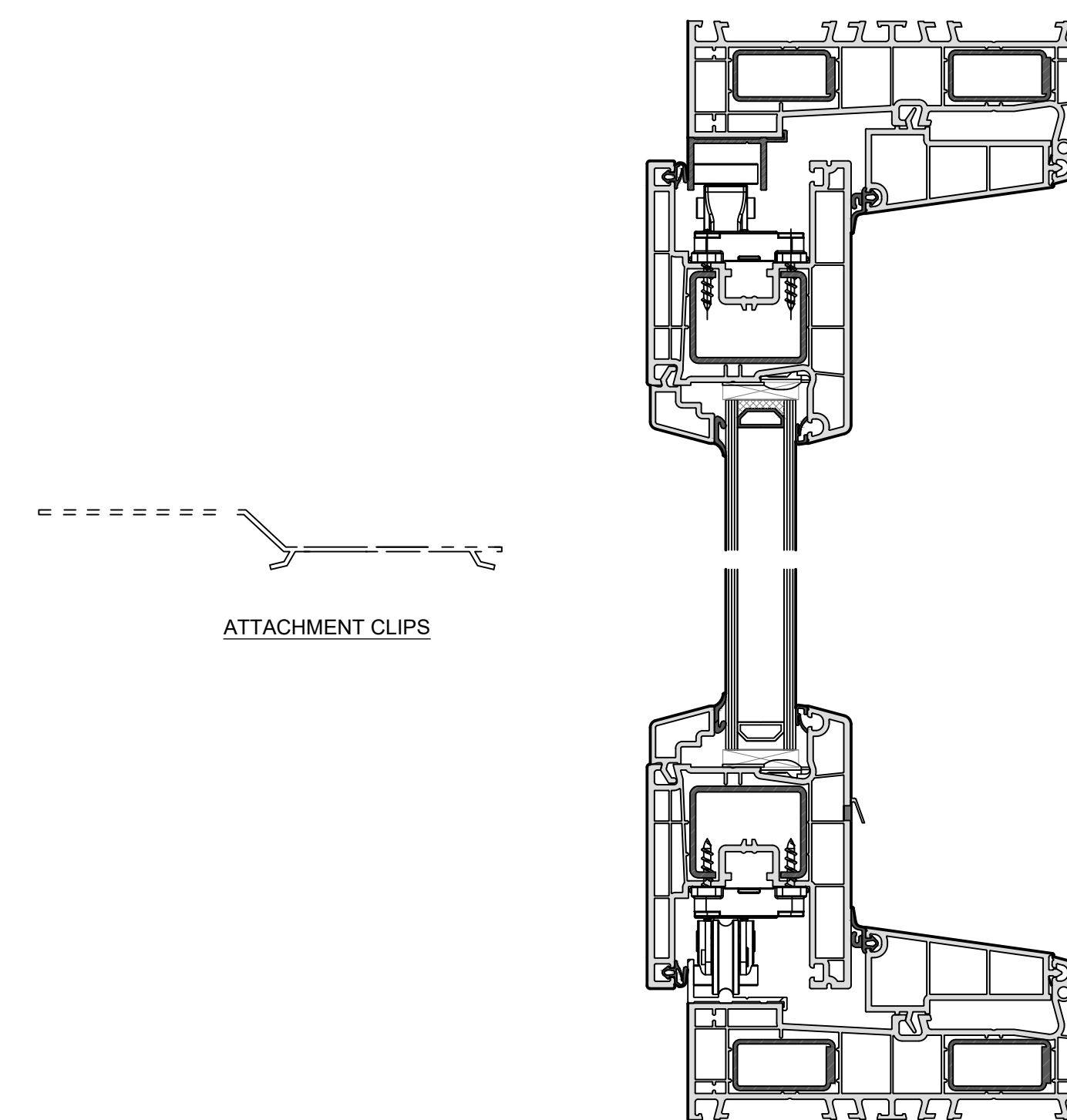


INTERIOR

EXTERIOR



3 SMART SLIDE SILL DETAIL
DG-15 SCALE: 6" = 1' - 0"



4 PROVIDED BY AMBERLINE
DG-15 SCALE: 6" = 1' - 0"

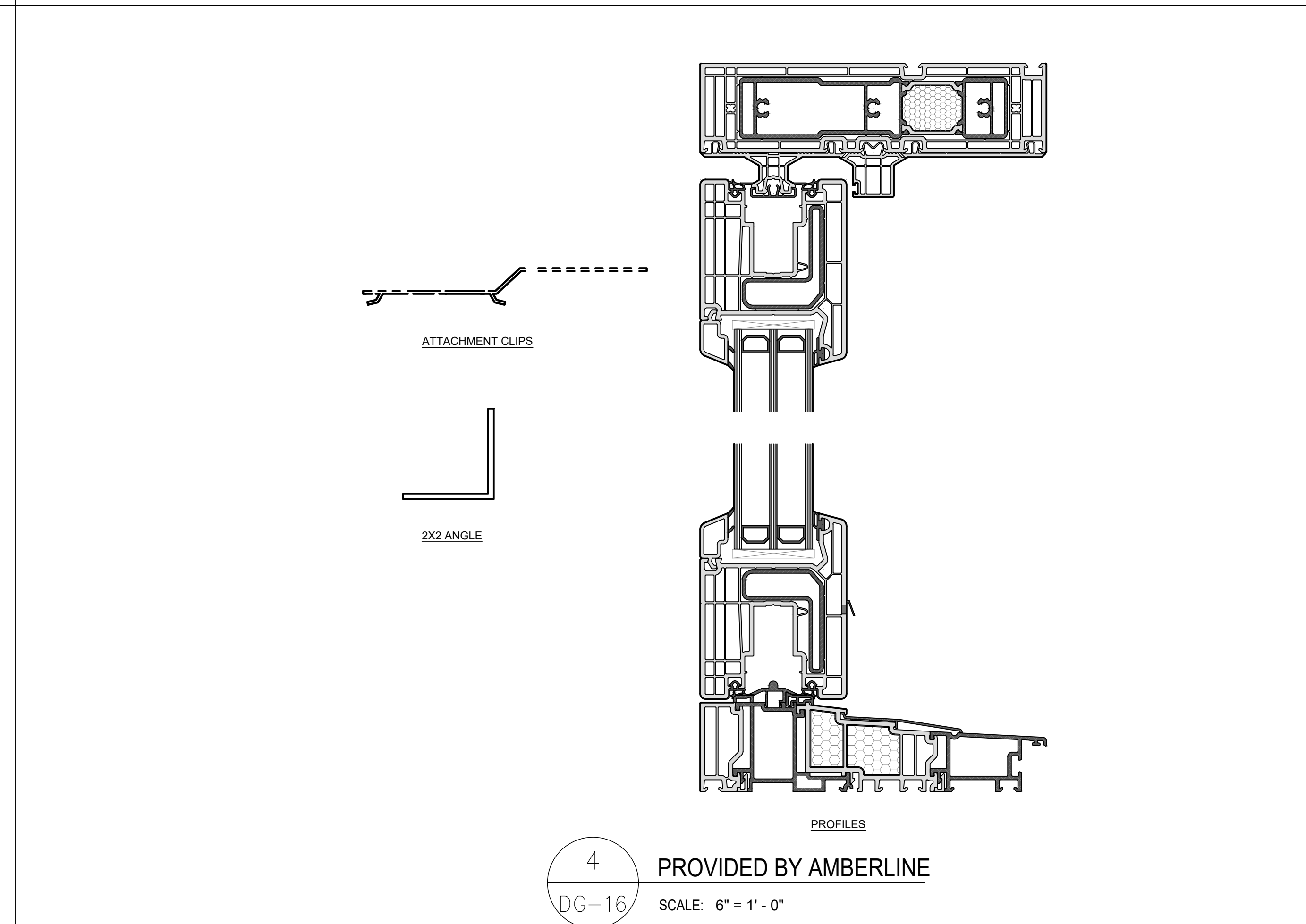
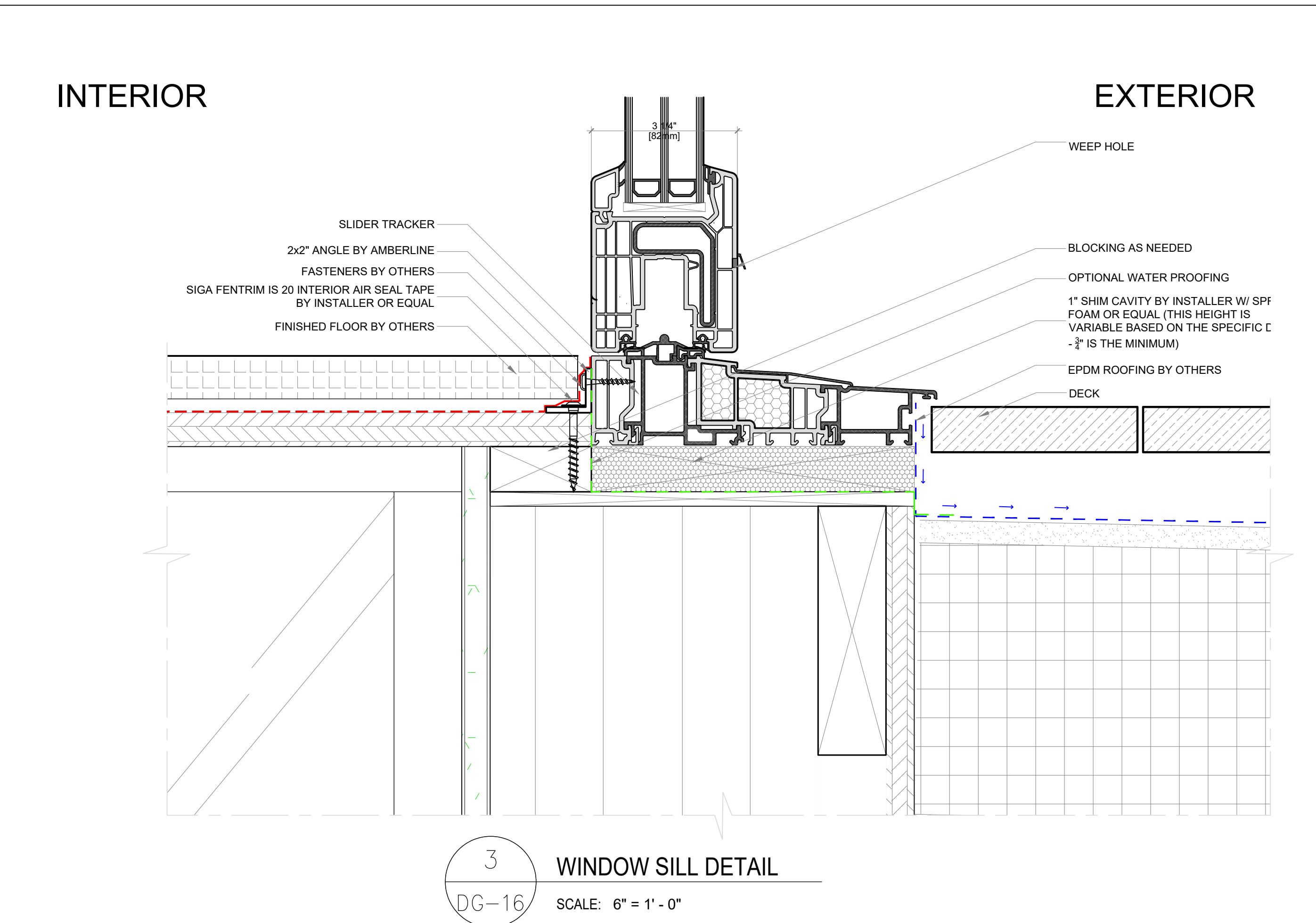
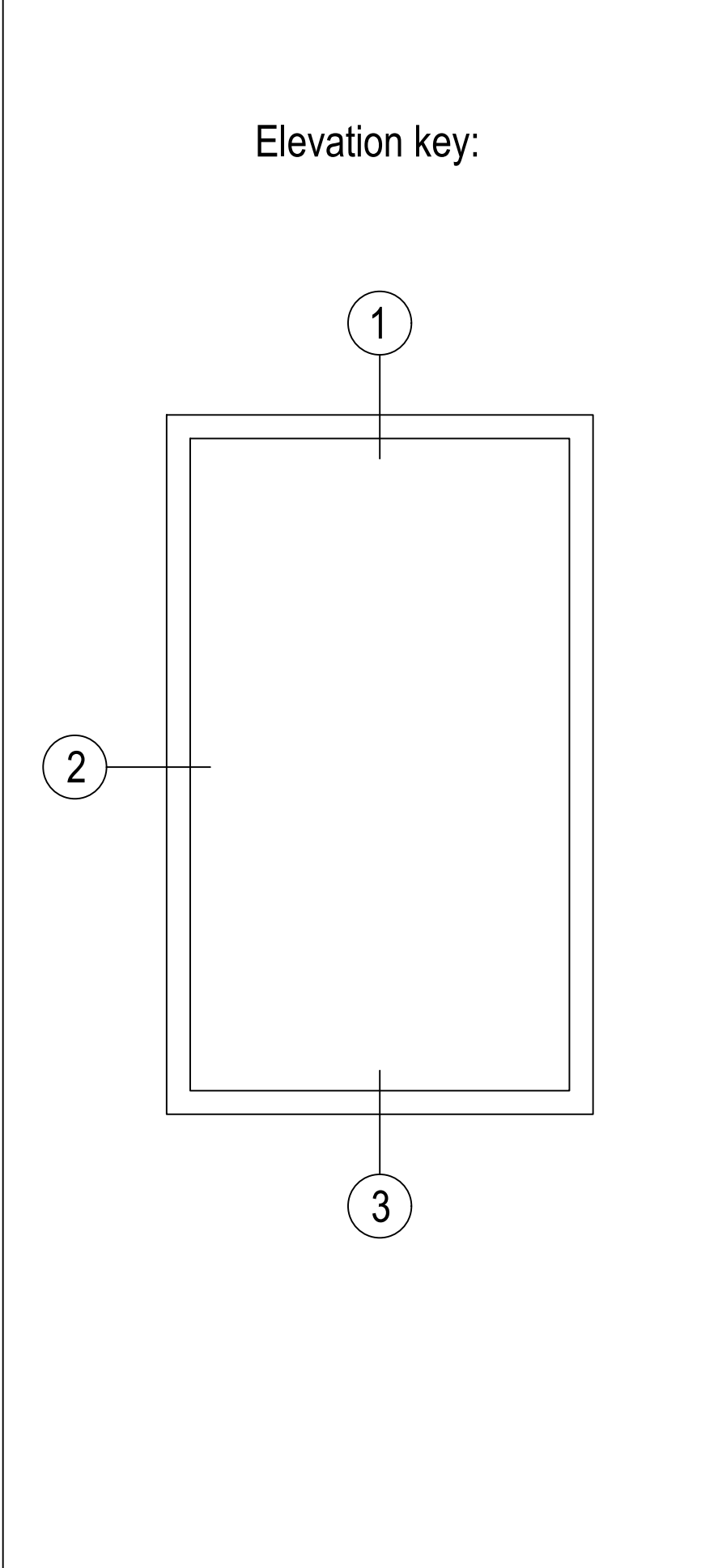
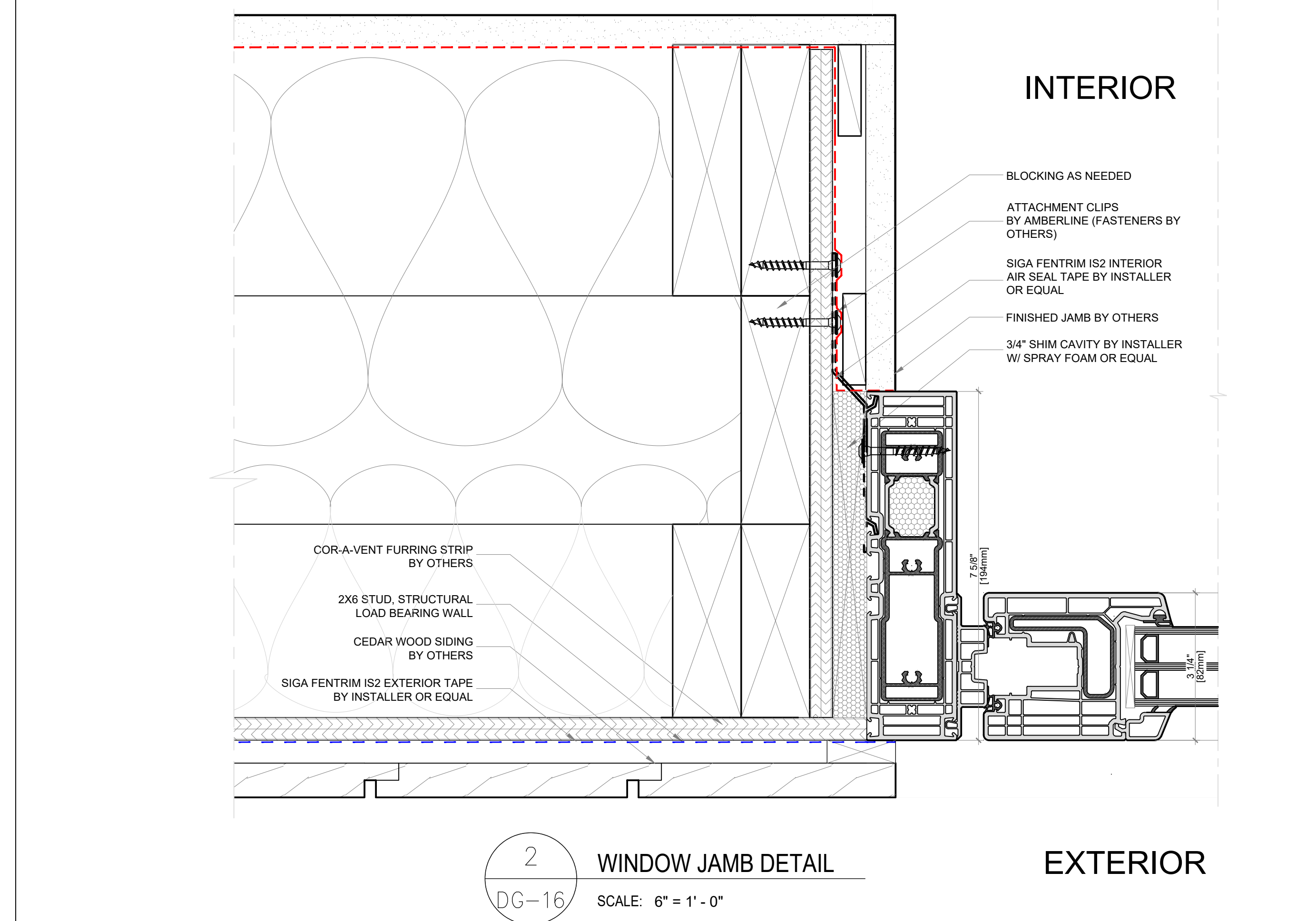
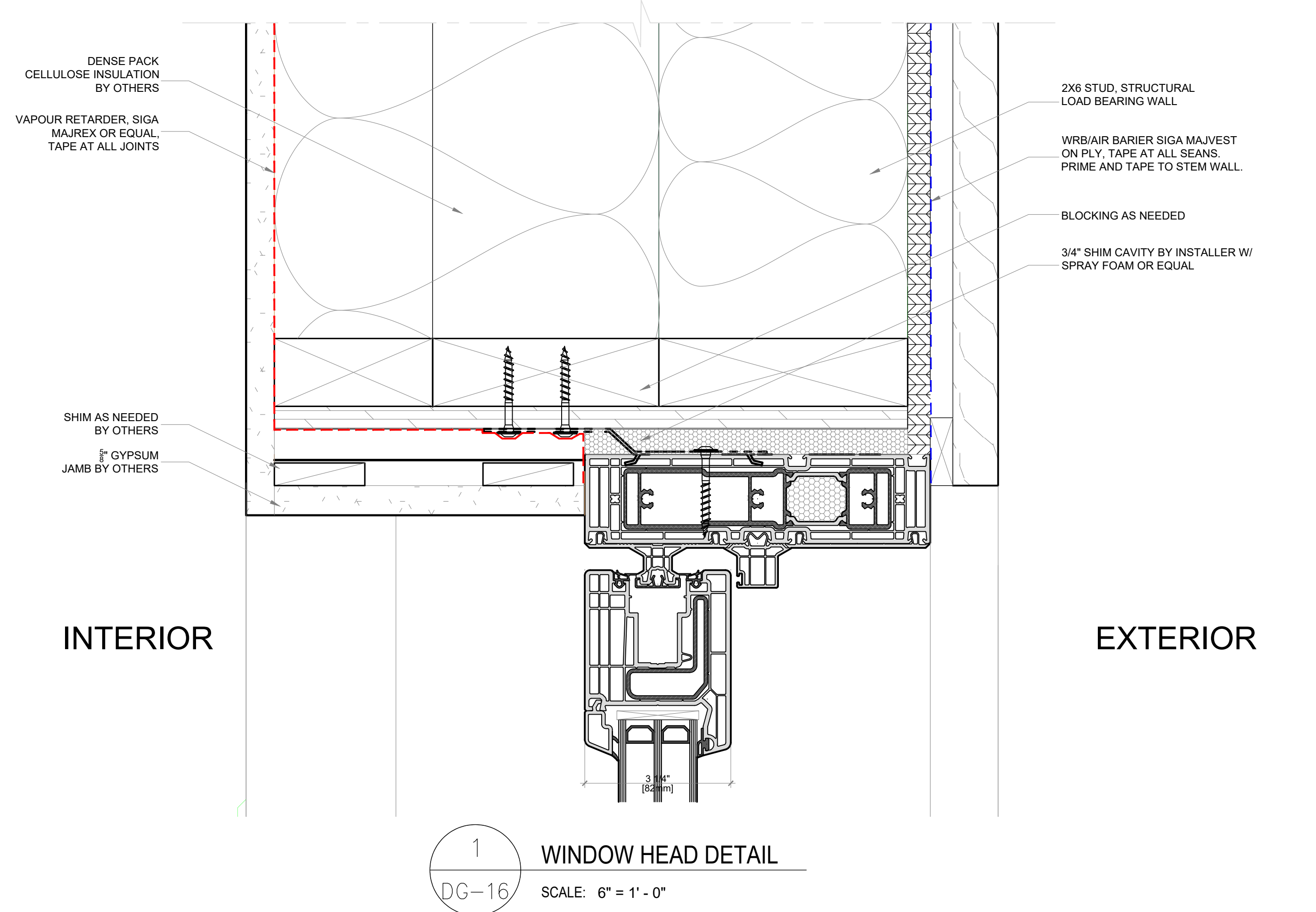
Unit Type: Slider
Profile: SmartSlide
Swing: Sliding
Position in Wall: Projected
Int. Condition: 3/4" Subfloor and 3/4" Finished Floor
Ext. Condition: Flush Deck
Transition: Walkable

Note: Available in Double & Triple Glazed

Softline PVC Typical Installation Details

Slider - 82mm Veka Slide Profile - Sliding - Flush Install - 3/4" Subfloor and 3/4" Finished Floor - Flush Deck - Walkable

A M B E R L I N E
HIGH PERFORMANCE WINDOWS AND DOORS



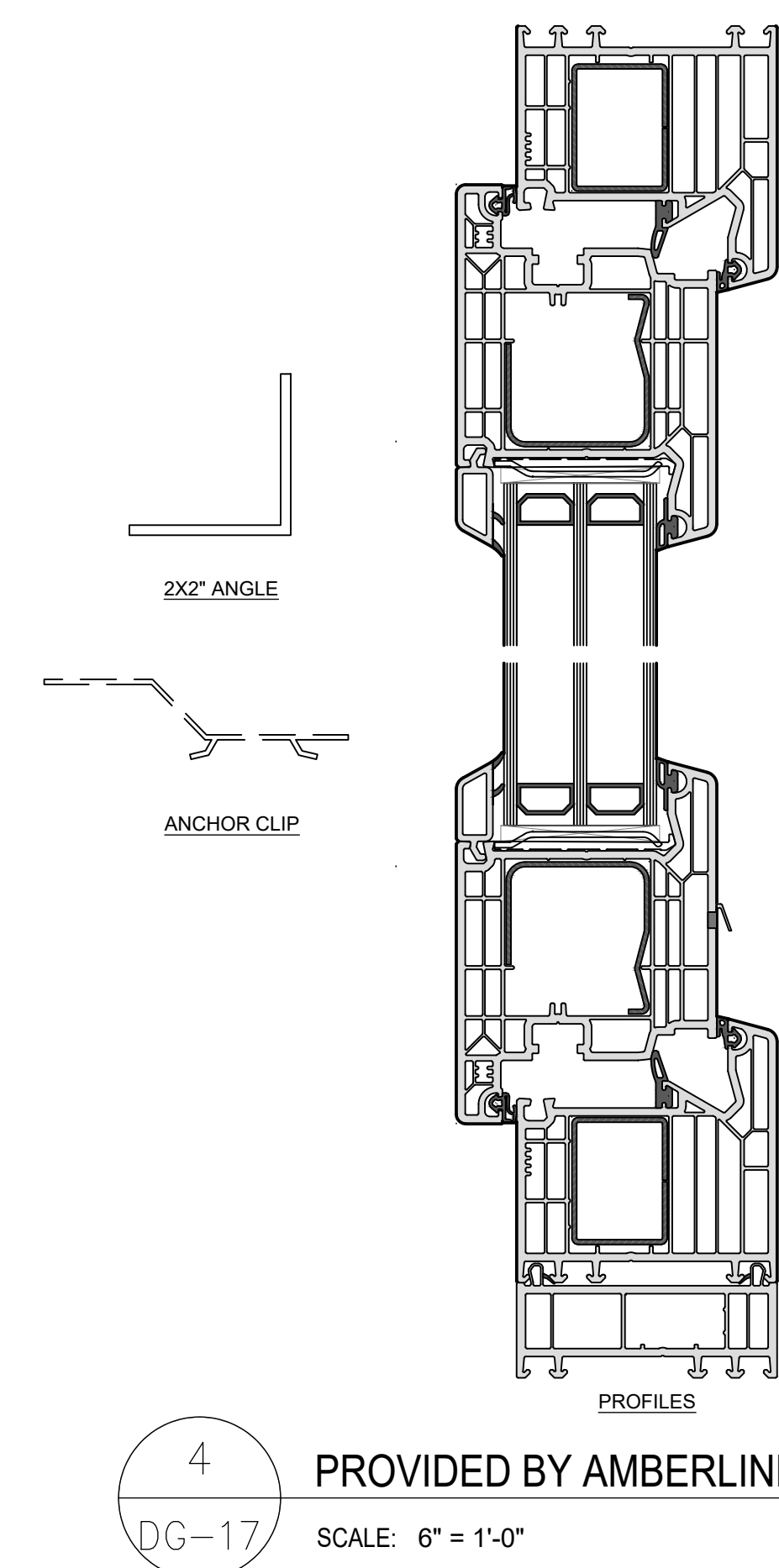
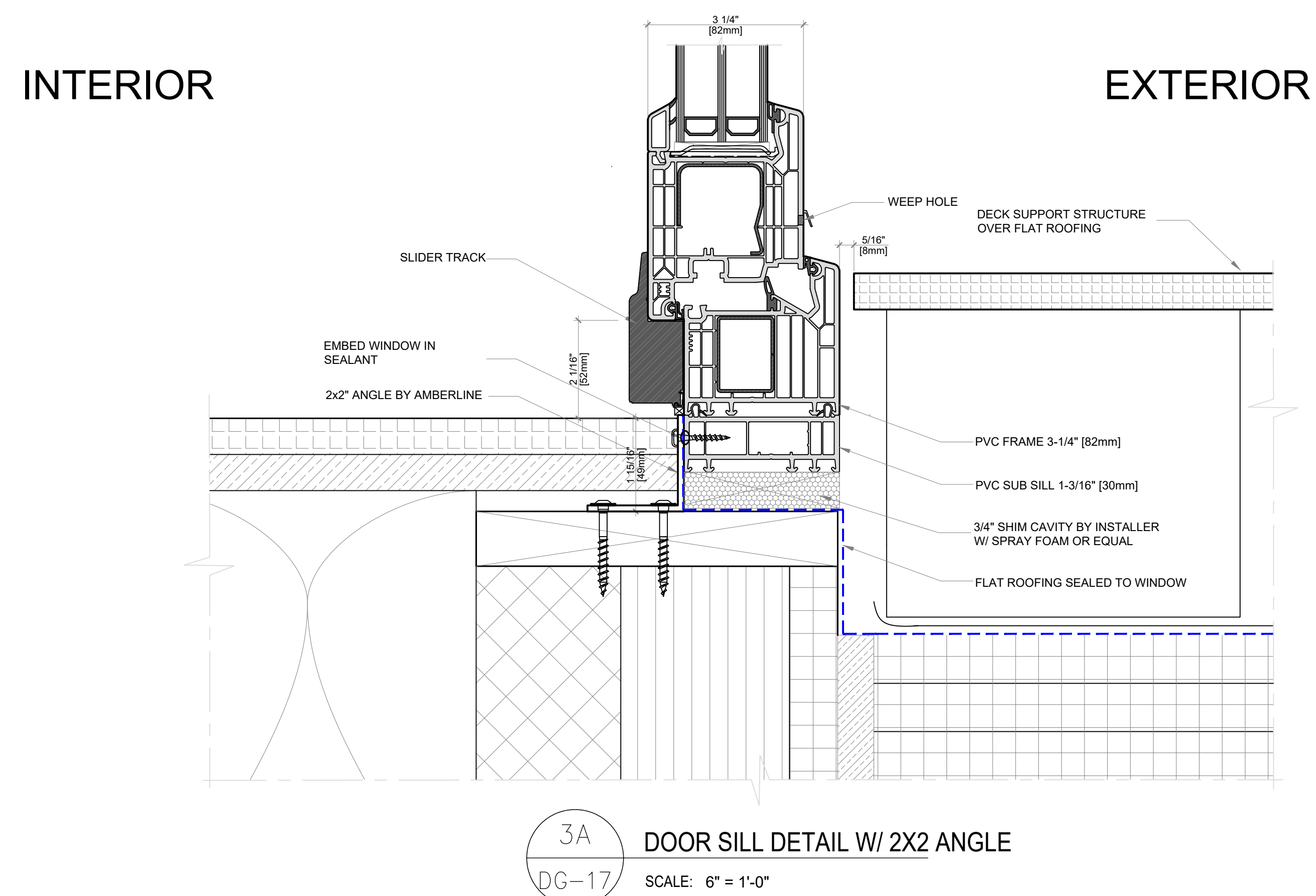
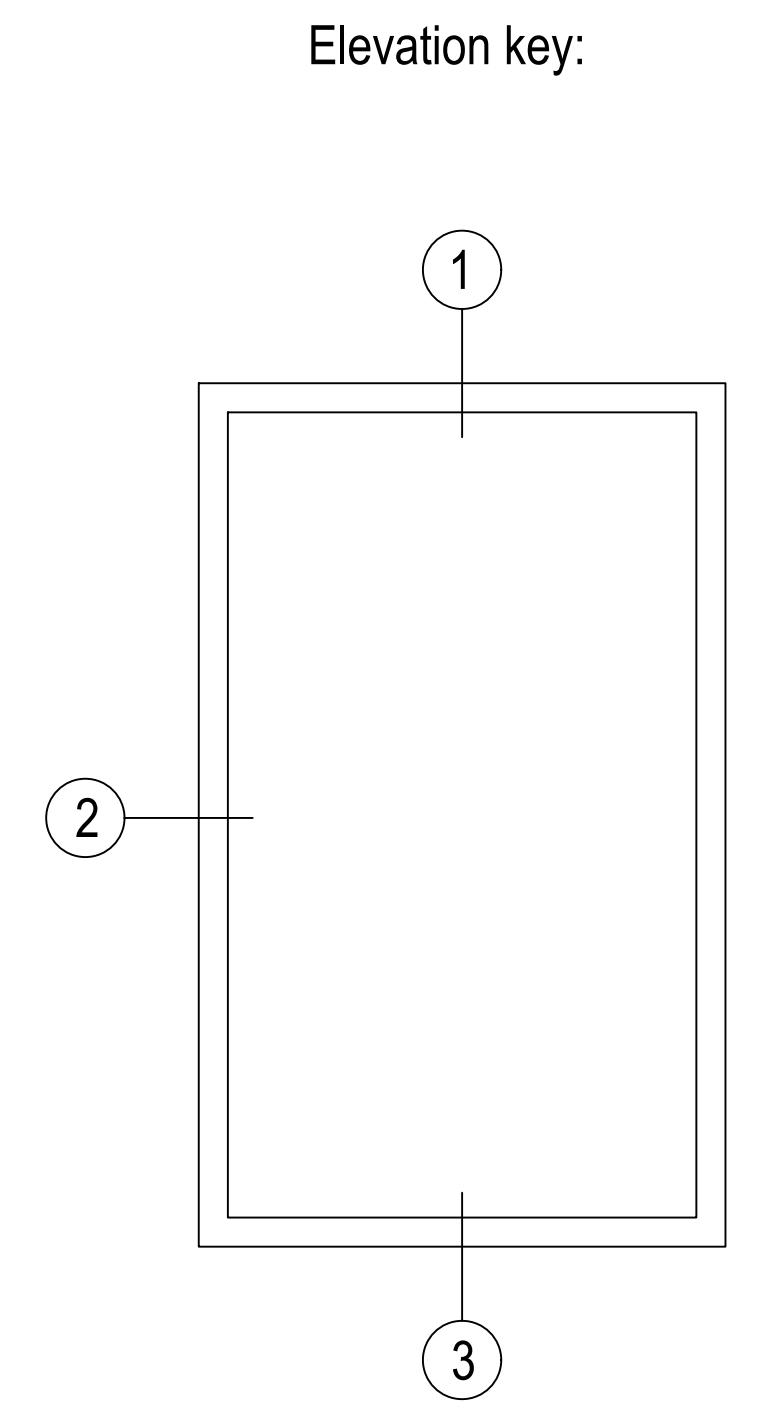
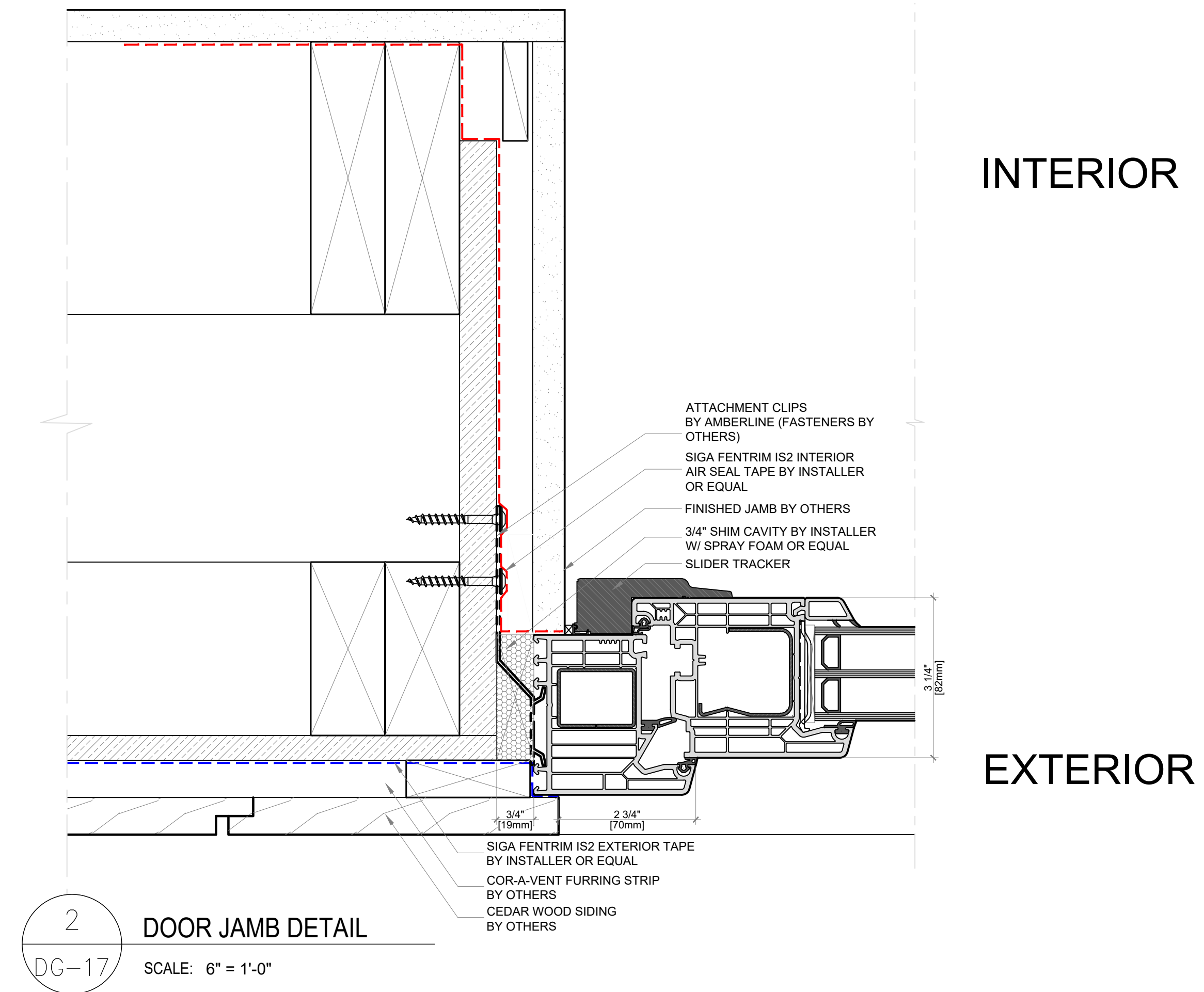
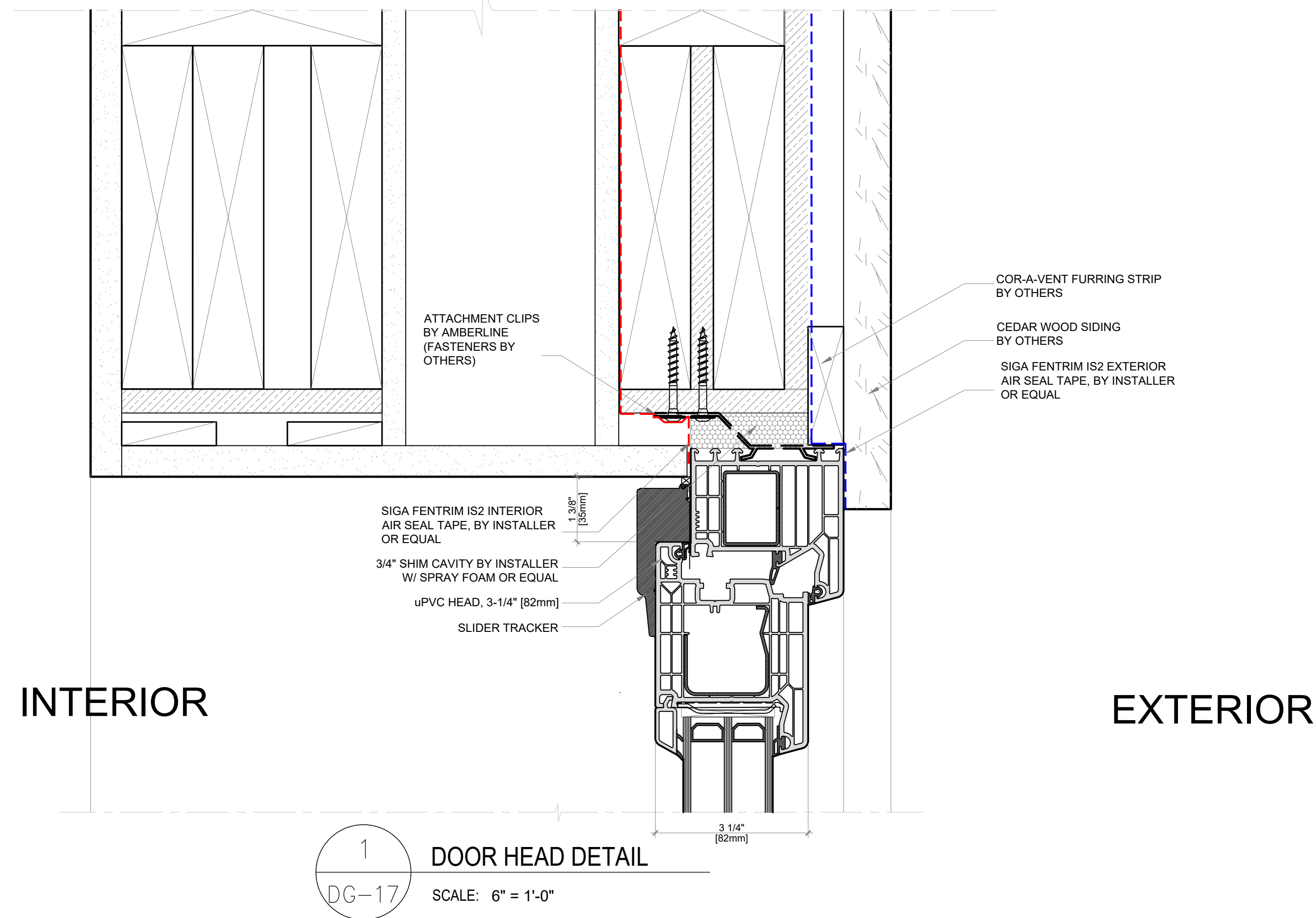
Unit Type: Slider
Profile: Veka Slide
Swing: Sliding
Position in Wall: Flush
Int. Condition: 3/4" Subfloor and 3/4" Finished Floor
Ext. Condition: Flush Deck
Transition: Walkable

Note: Available in Double & Triple Glazed

Softline PVC Typical Installation Details

AMBERLINE

Slider - 82mm Parallel Profile - Sliding - Flush Install - 3/4" Subfloor and 3/4" Finished Floor - Stepped up to Deck - Step Over Transition HIGH PERFORMANCE WINDOWS AND DOORS



Unit Type: Slider
Profile: 82 Parallel
Swing: Sliding
Position in Wall: Flush
Int. Condition: 3/4" Subfloor and 3/4" Finished Floor
Ext. Condition: Stepped up to Deck
Transition: Step Over

Note: Available in Double & Triple Glazed