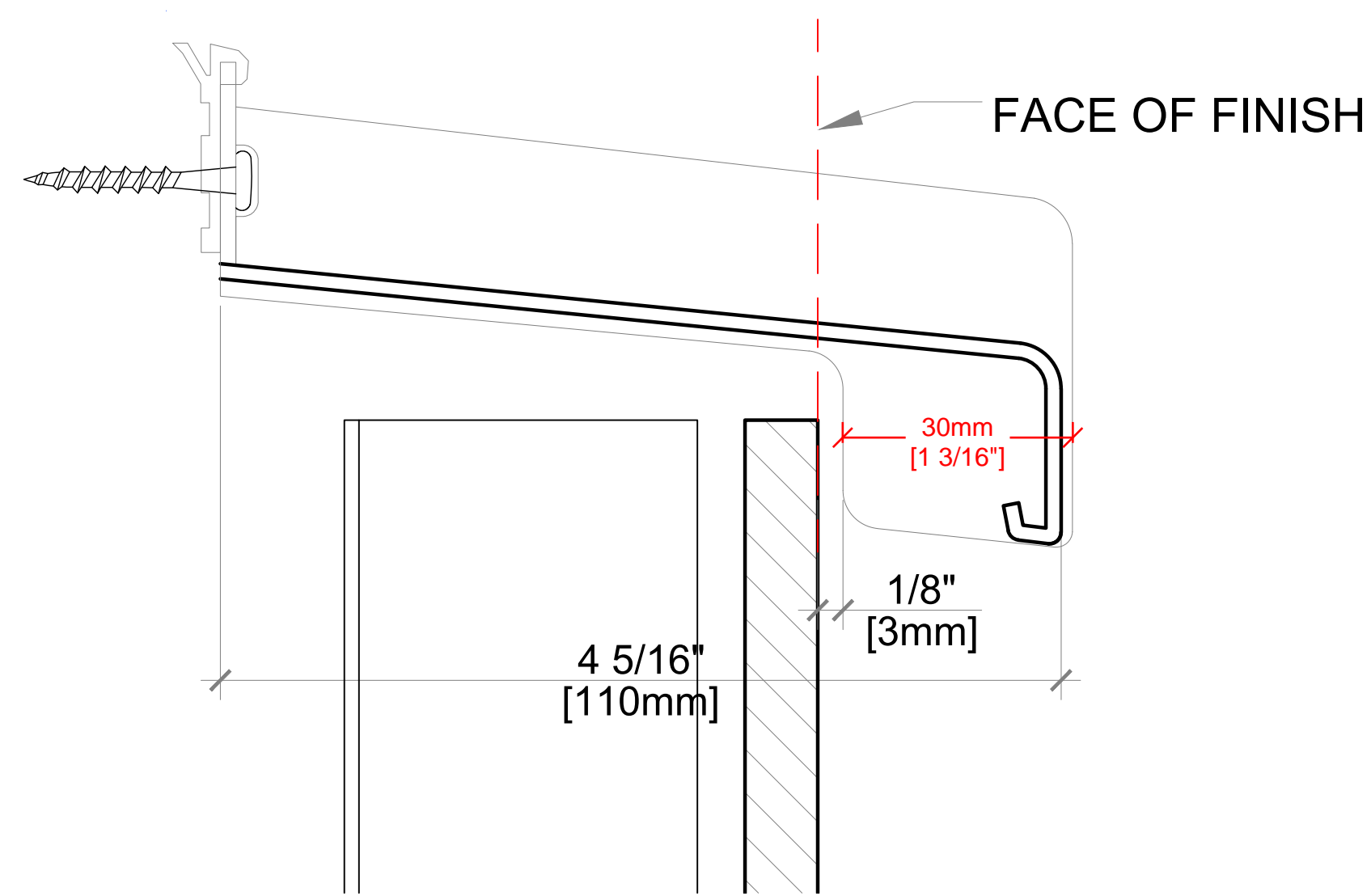
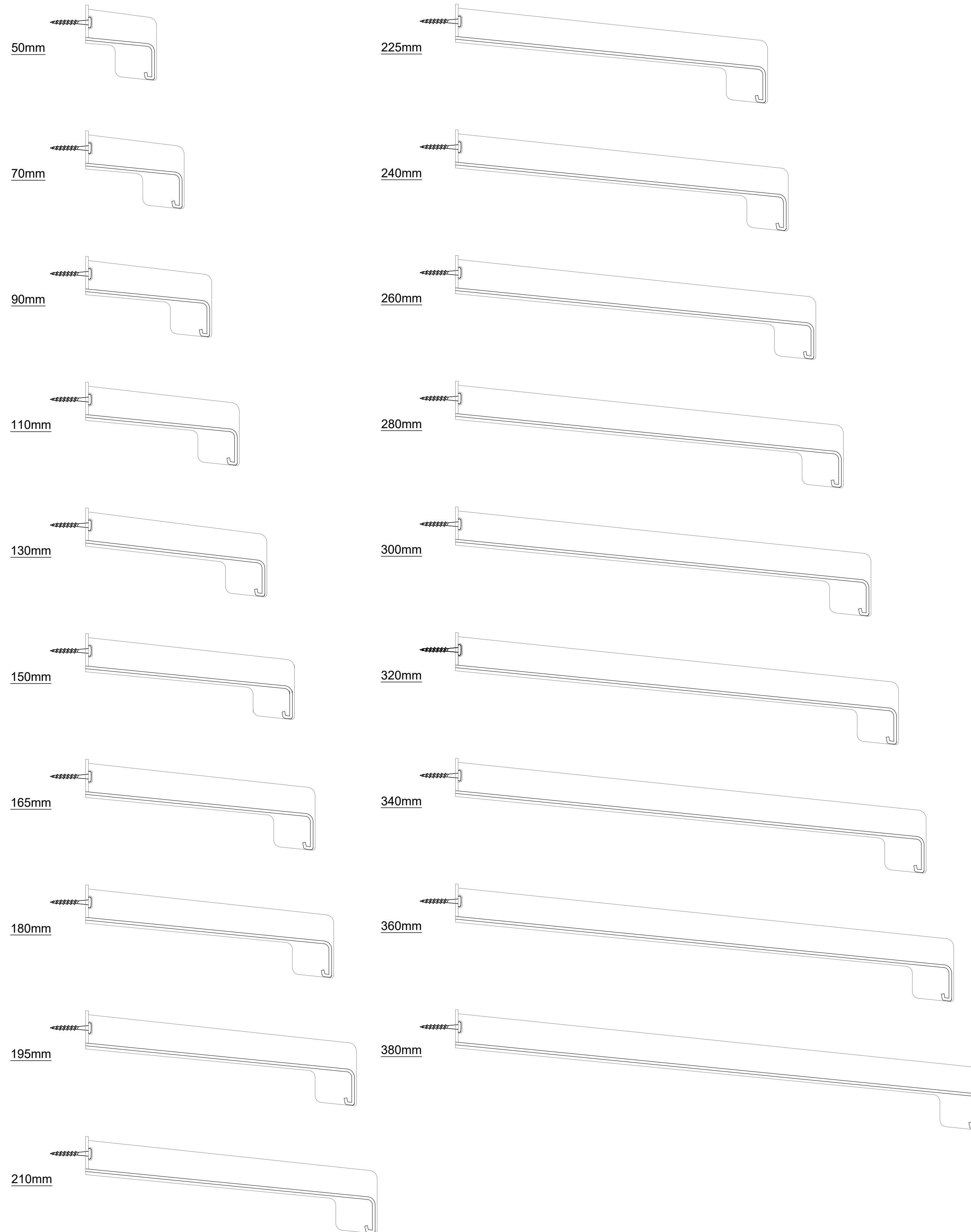


# Softline PVC Typical Installation Details

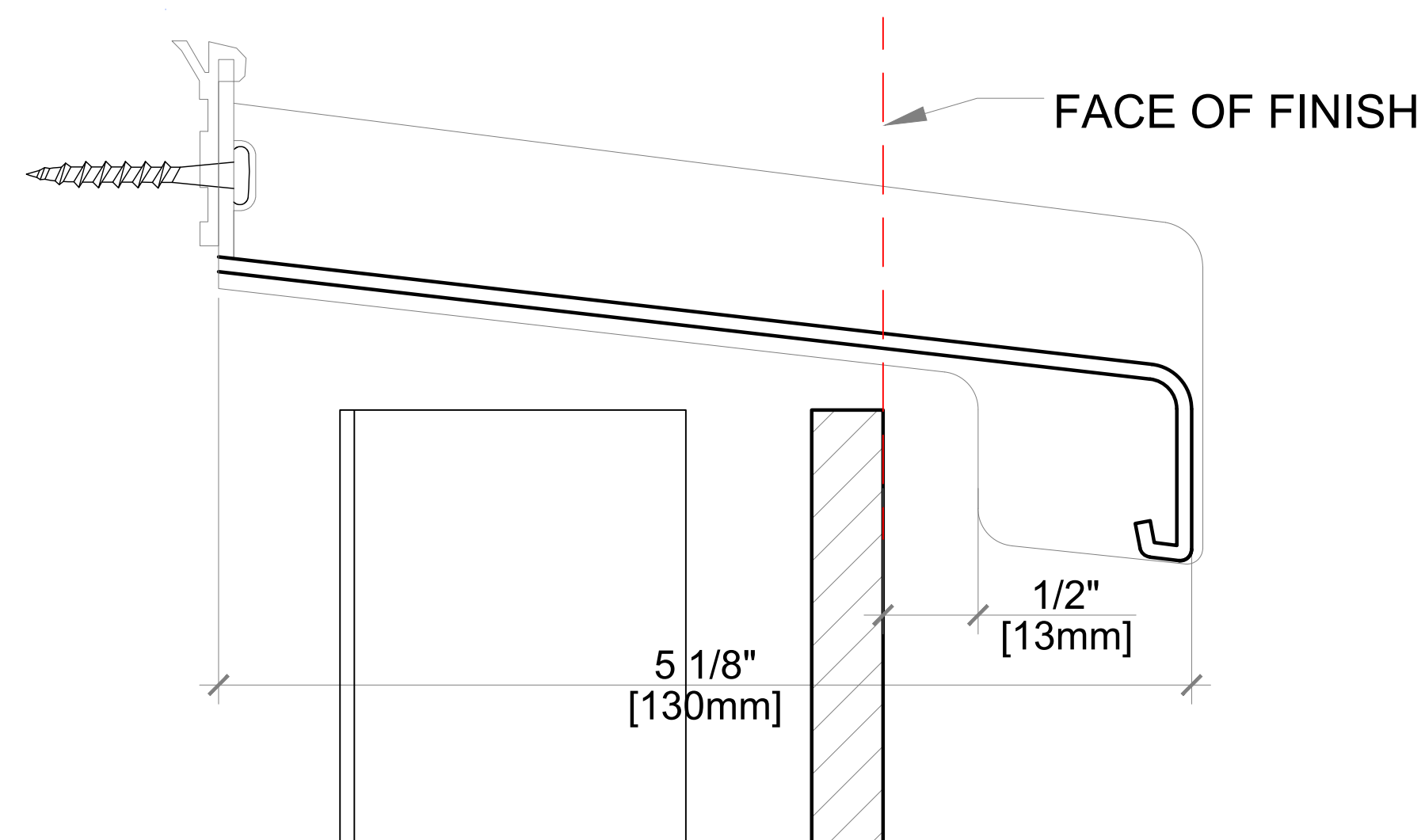
Window - Aluron Sills - Window Sill Installation Details



1 MIN DISTANCE FROM FINISHED FACE TO SILL  
DG-IA SCALE: 15" = 1' - 0"

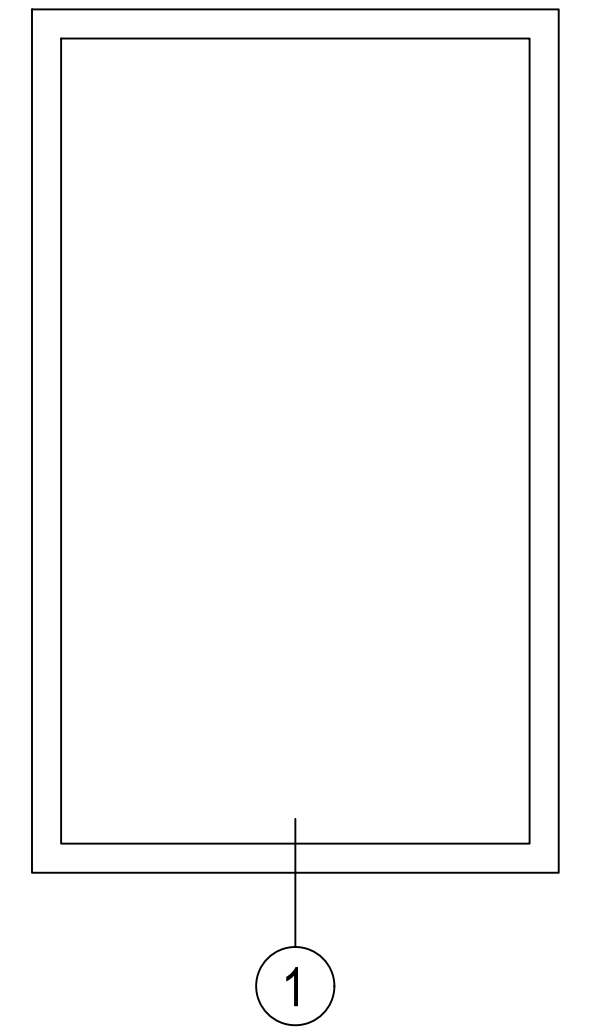


3 WINDOW SILL SIZES  
DG-IA SCALE: 6" = 1' - 0"



2 MAX DISTANCE FROM FINISHED FACE TO SILL  
DG-IA SCALE: 15" = 1' - 0"

Elevation key:



**Note:** Depth measured from face of sub-sill to outside edge of sill.

**Note:** Width customized to finish requirements. Recommended Width = Frame Width

**Note:** Window sills above 8ft wide must be cut into two pieces because of expansion and contraction. A connection profile will be used to join the two pieces together.

IA

# Softline PVC Typical Installation Details

Window - Aluron Sills - Window Sill Installation Details

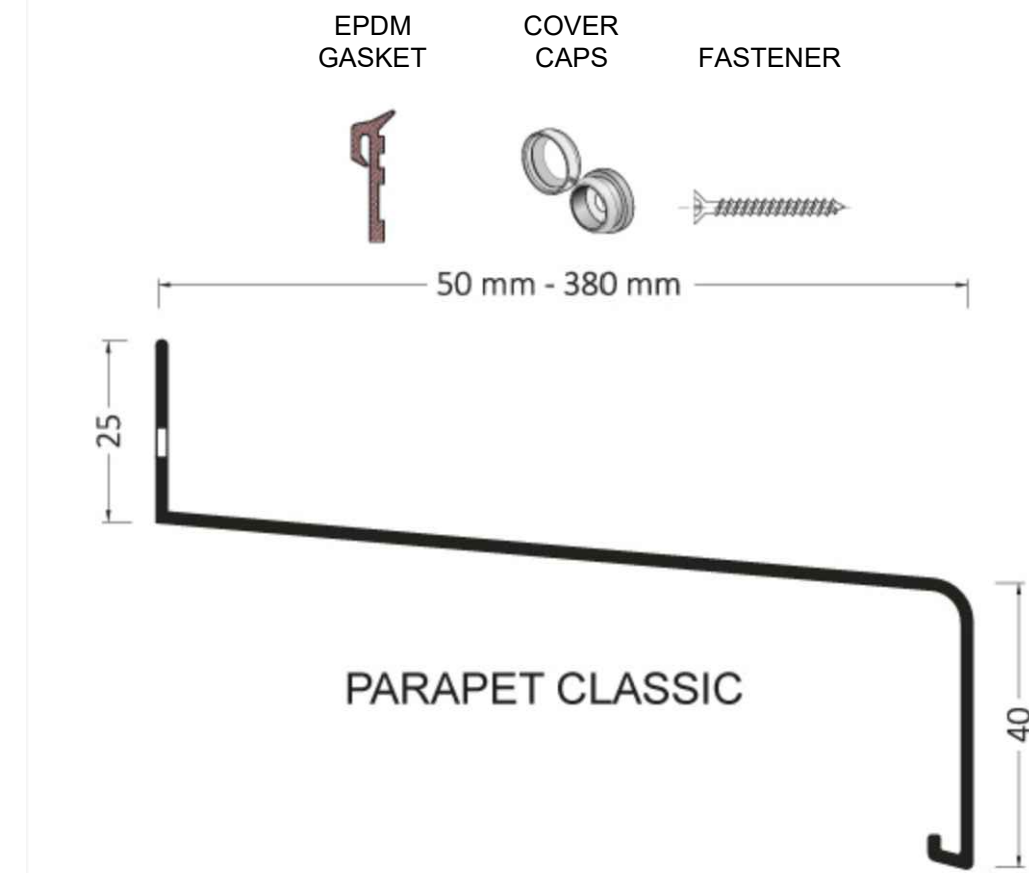


## ALUMINIUM WINDOW SILLS CLASSIC

Soft Line and Classic aluminium sills and systems for wooden windows are produced by means of extruding high quality aluminium alloy, thus creating products of perfect durability, tightness and solid build. Soft Line and Classic sills receive a full set of complementary accessories: with caps, gaskets, stainless steel screws equipped with tight clips and drip profiles with end caps. Window sills available in anodised and powder coated versions.

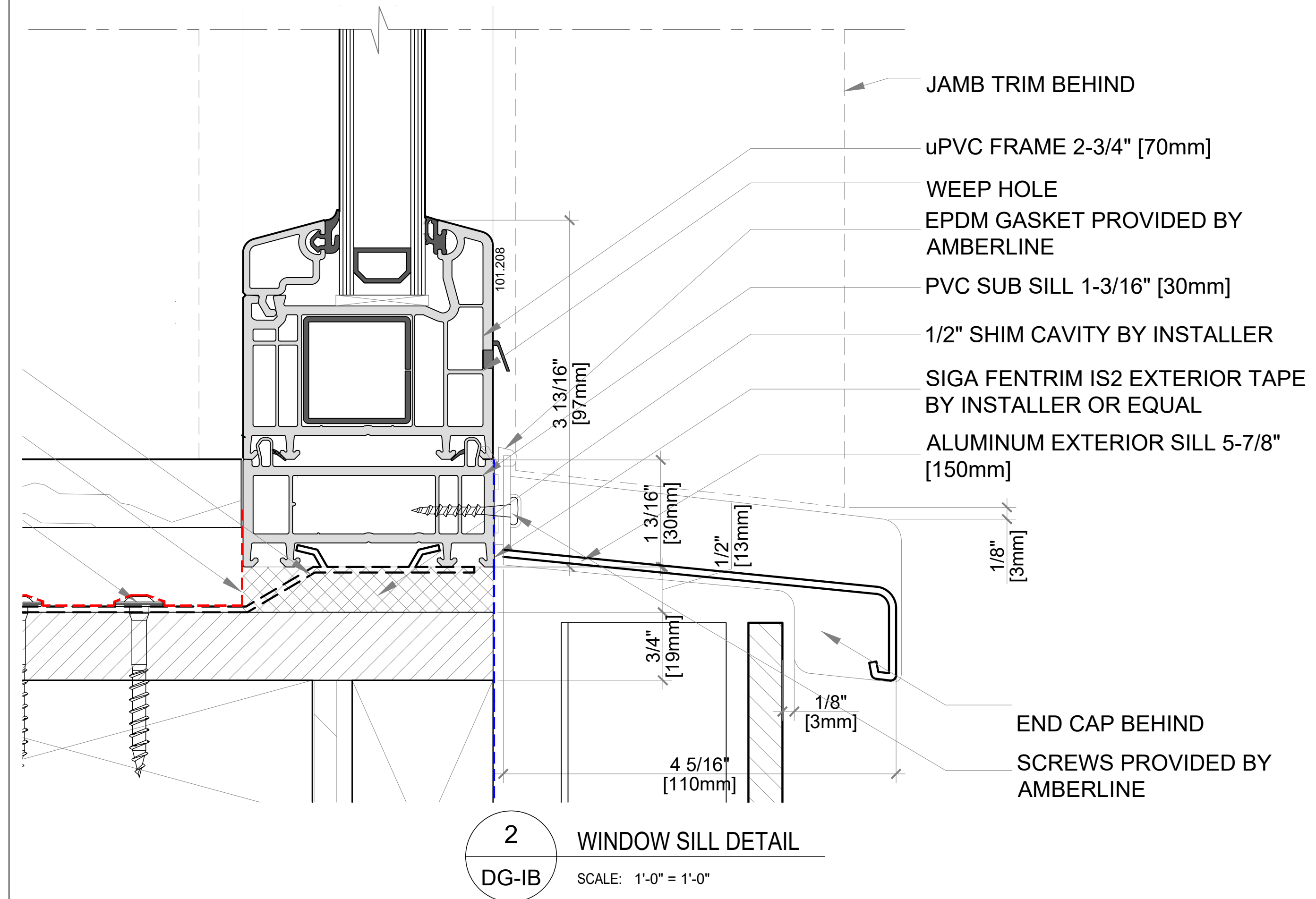
The Classic sill system stands out with:

- Angular shape of profiles
- Varied width of window sills: 50 to 380 mm
- Extruded profiles of high rigidity
- A broad range of accessories, including sill support for thermo type facades



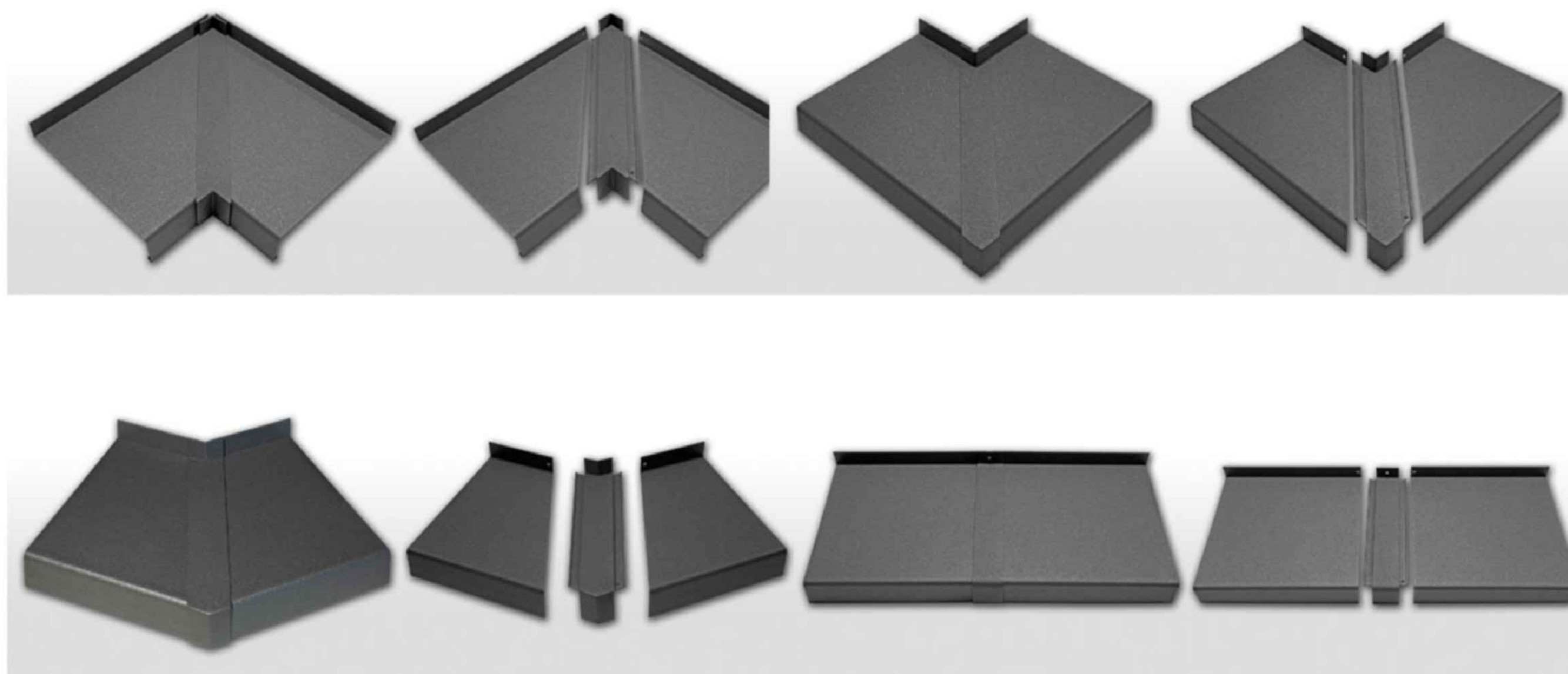
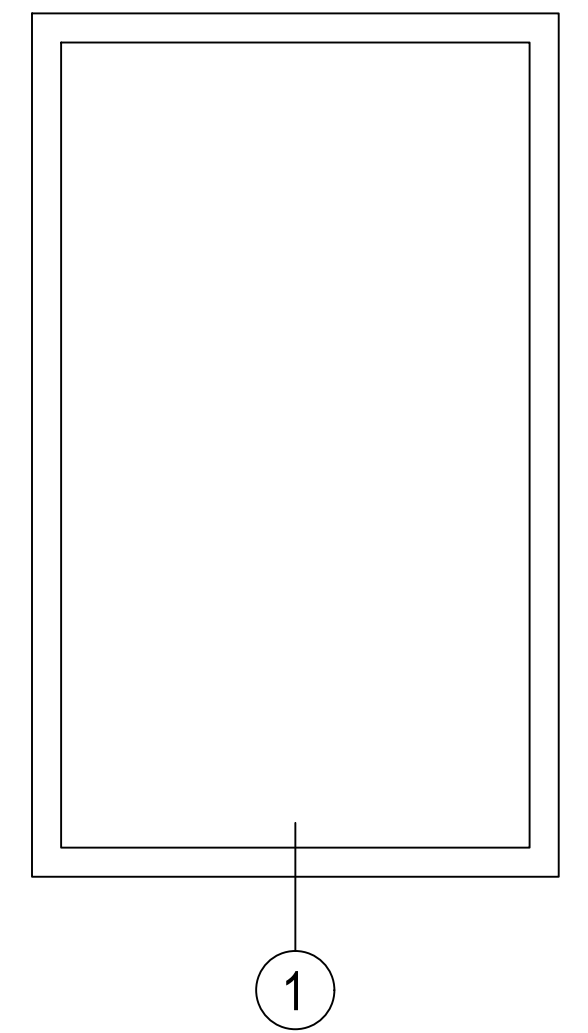
PARAPET CLASSIC

1 ALUMINIUM SILLS  
DG-IB SCALE:

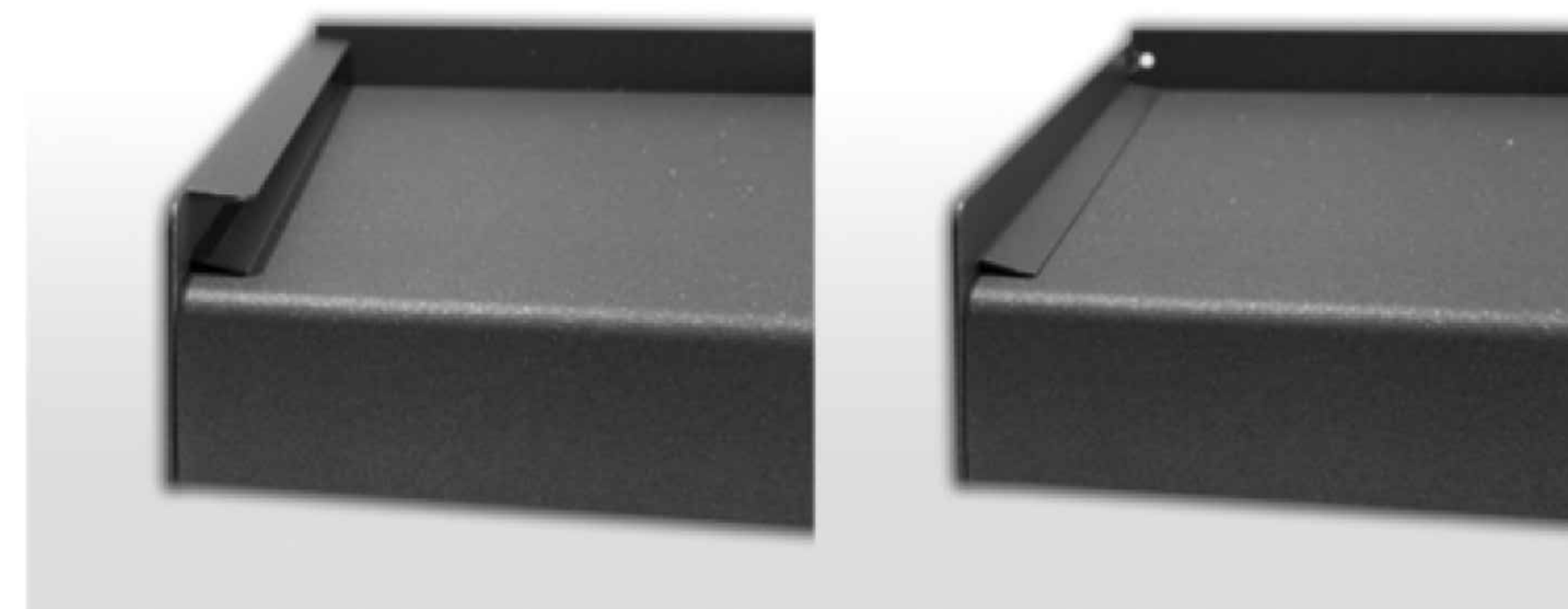


2 WINDOW SILL DETAIL  
DG-IB SCALE: 1'-0\"/>

Elevation key:



3 CONNECTORS FOR WINDOW SILLS  
DG-IB SCALE:



END CAP HORIZONTAL

END CAP VERTICAL

ZAK40

ZAKF40

4 CAPS FOR WINDOW SILLS  
DG-IB SCALE:

**Note:** Window sills above 8ft wide must be cut into two pieces because of expansion and contraction. A connection profile will be used to join the two pieces together.

IB

# Softline PVC Typical Installation Details

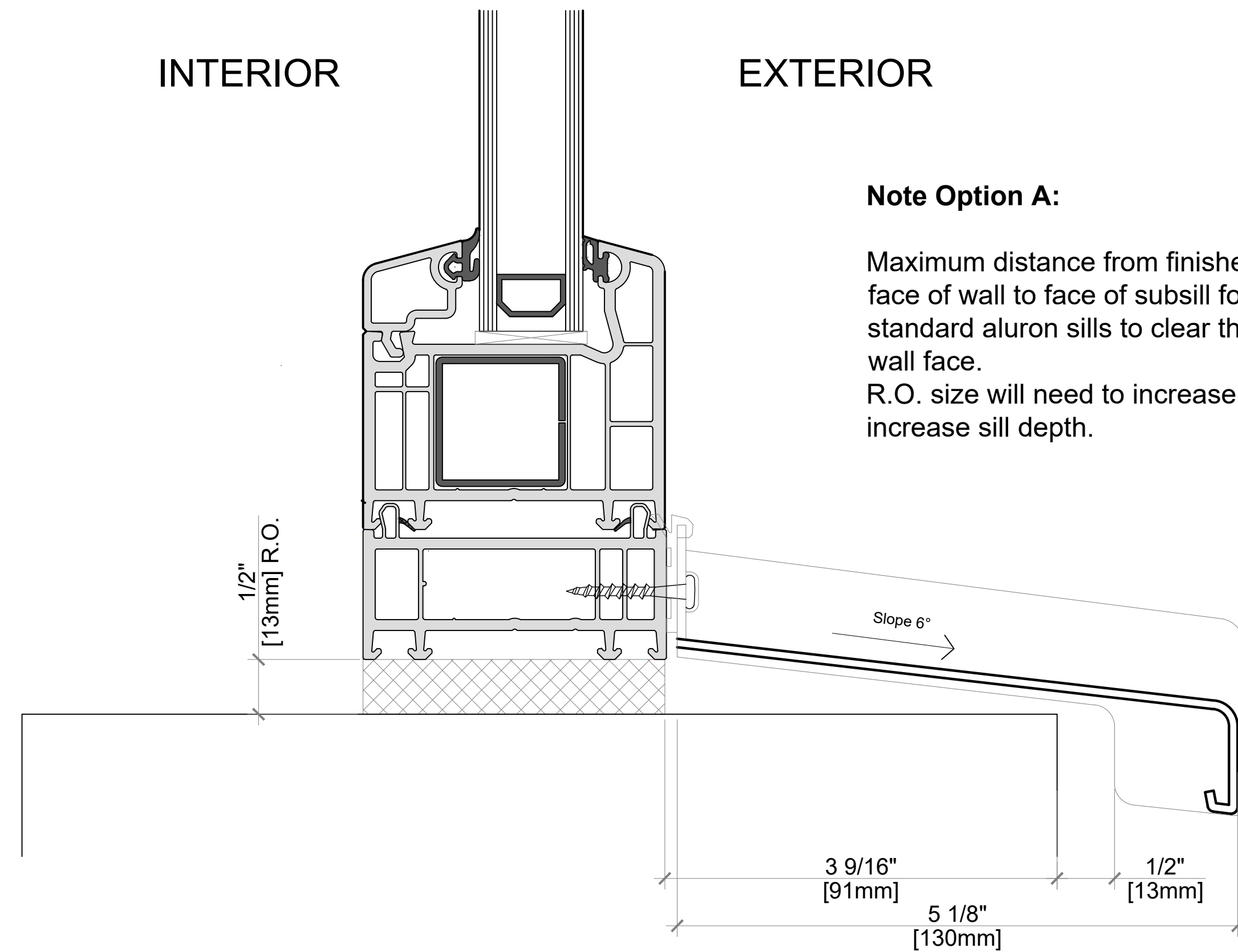
Window - Aluron Sills - Window Sill Installation Details

INTERIOR

EXTERIOR

**Note Option A:**

Maximum distance from finished face of wall to face of subsill for standard aluron sills to clear the wall face.  
R.O. size will need to increase with increase sill depth.



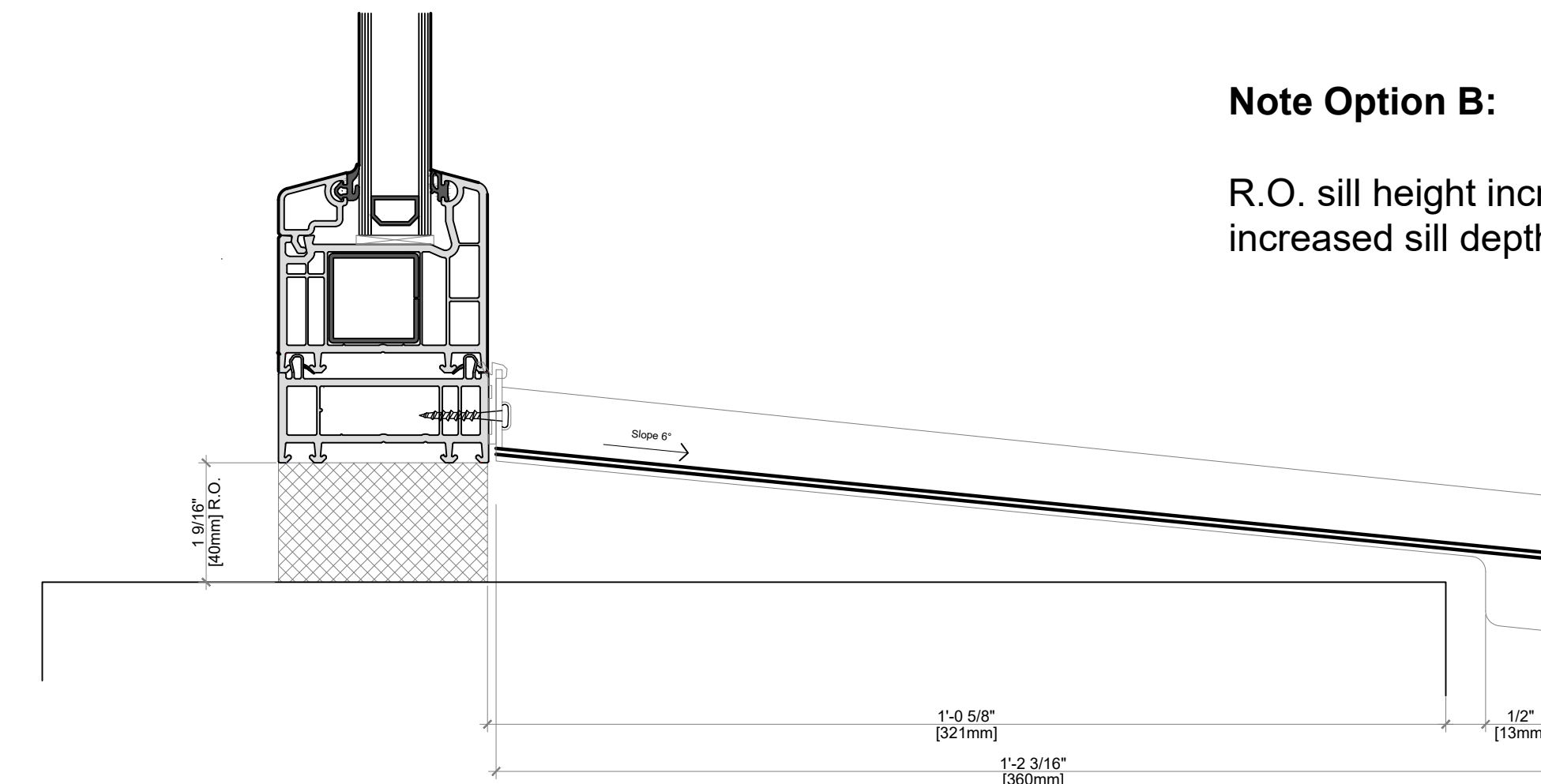
1 ALUMINUM SILL OPTION A  
DG-IC SCALE: 1' - 0" = 1' - 0"

INTERIOR

EXTERIOR

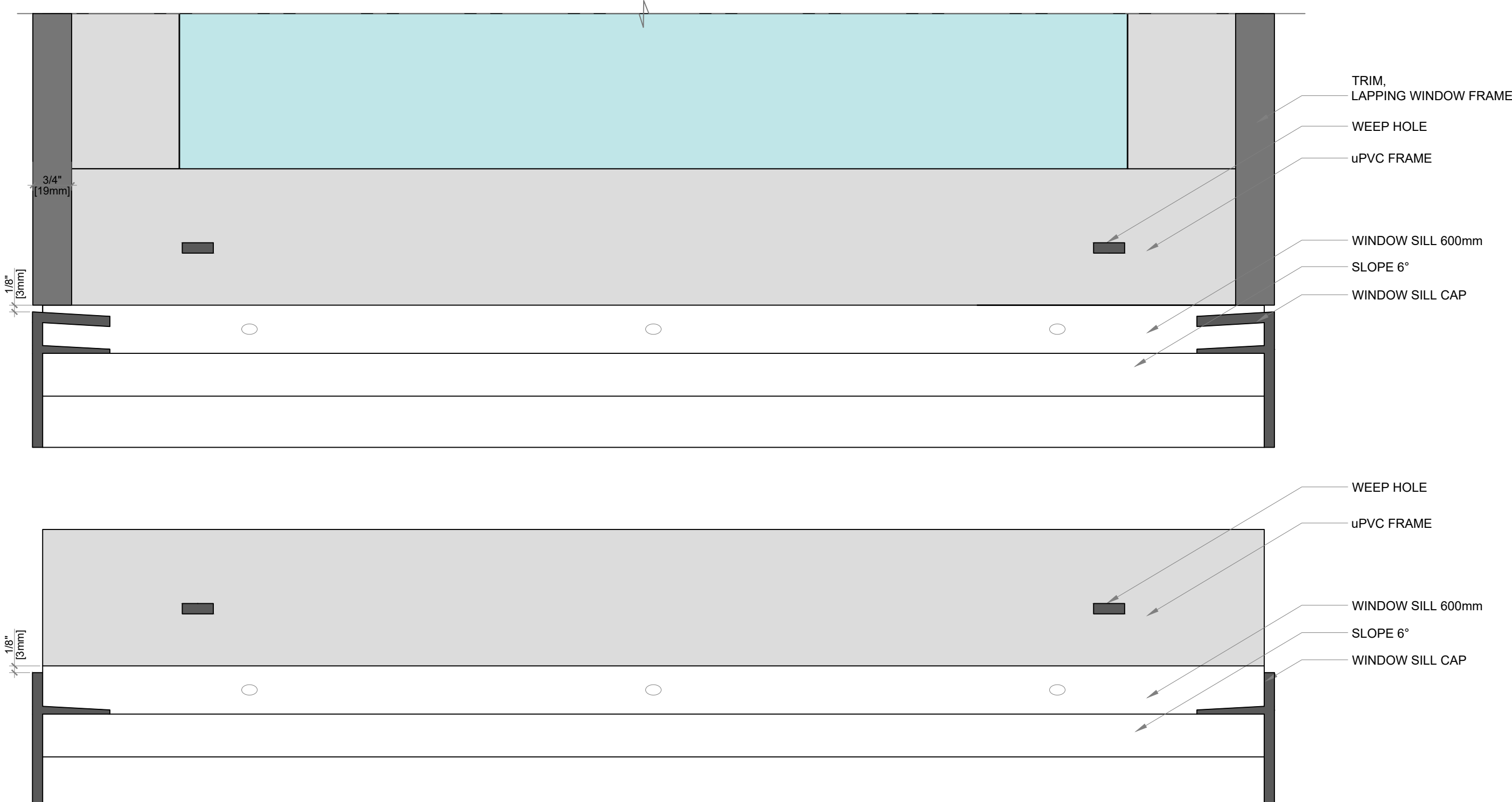
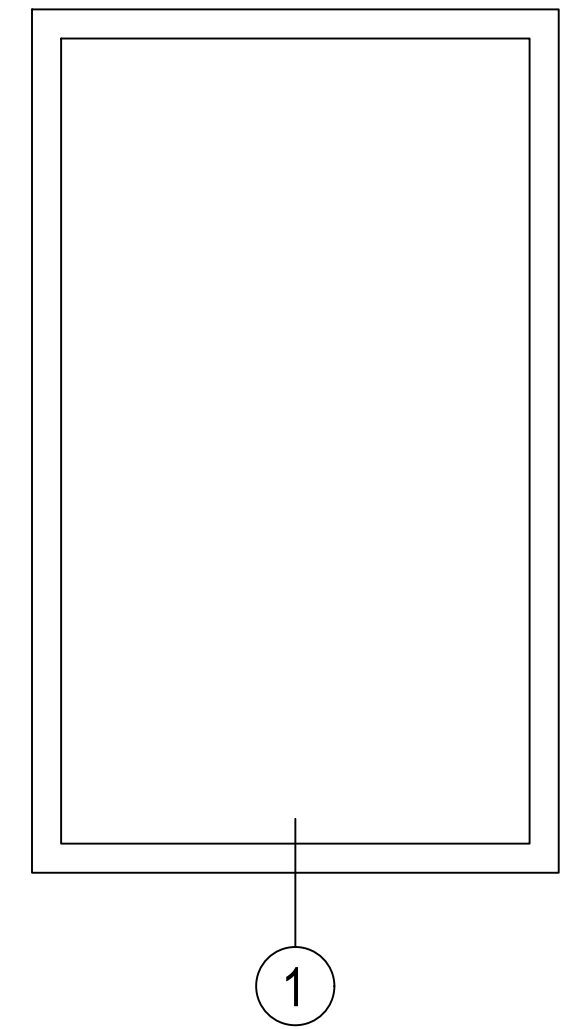
**Note Option B:**

R.O. sill height increased for increased sill depth.

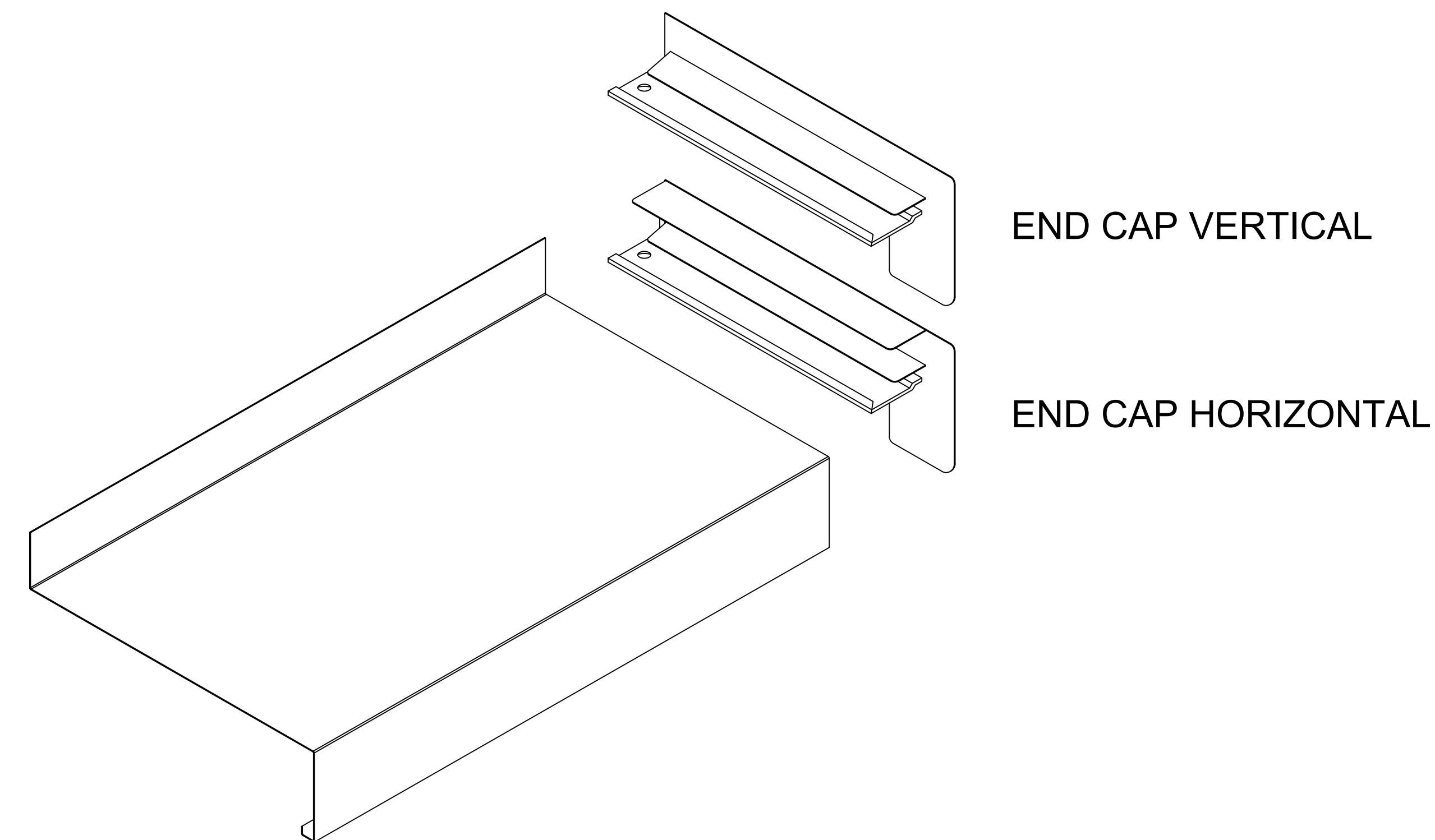


2 ALUMINUM SILL OPTION B  
DG-IC SCALE: 6" = 1' - 0"

Elevation key:



3 WINDOW SILL & CAPS - ELEVATION  
DG-IC SCALE: 6" = 1' - 0"



4 END CAPS FOR WINDOW SILL  
DG-IC SCALE: 20" = 1' - 0"

**Note Option A:**

Maximum distance from finished face of wall to face of subsill for standard aluron sills to clear the wall face.  
R.O. size will need to increase with increase sill depth.

**Note Option B:**

R.O. sill height increased for increased sill depth.

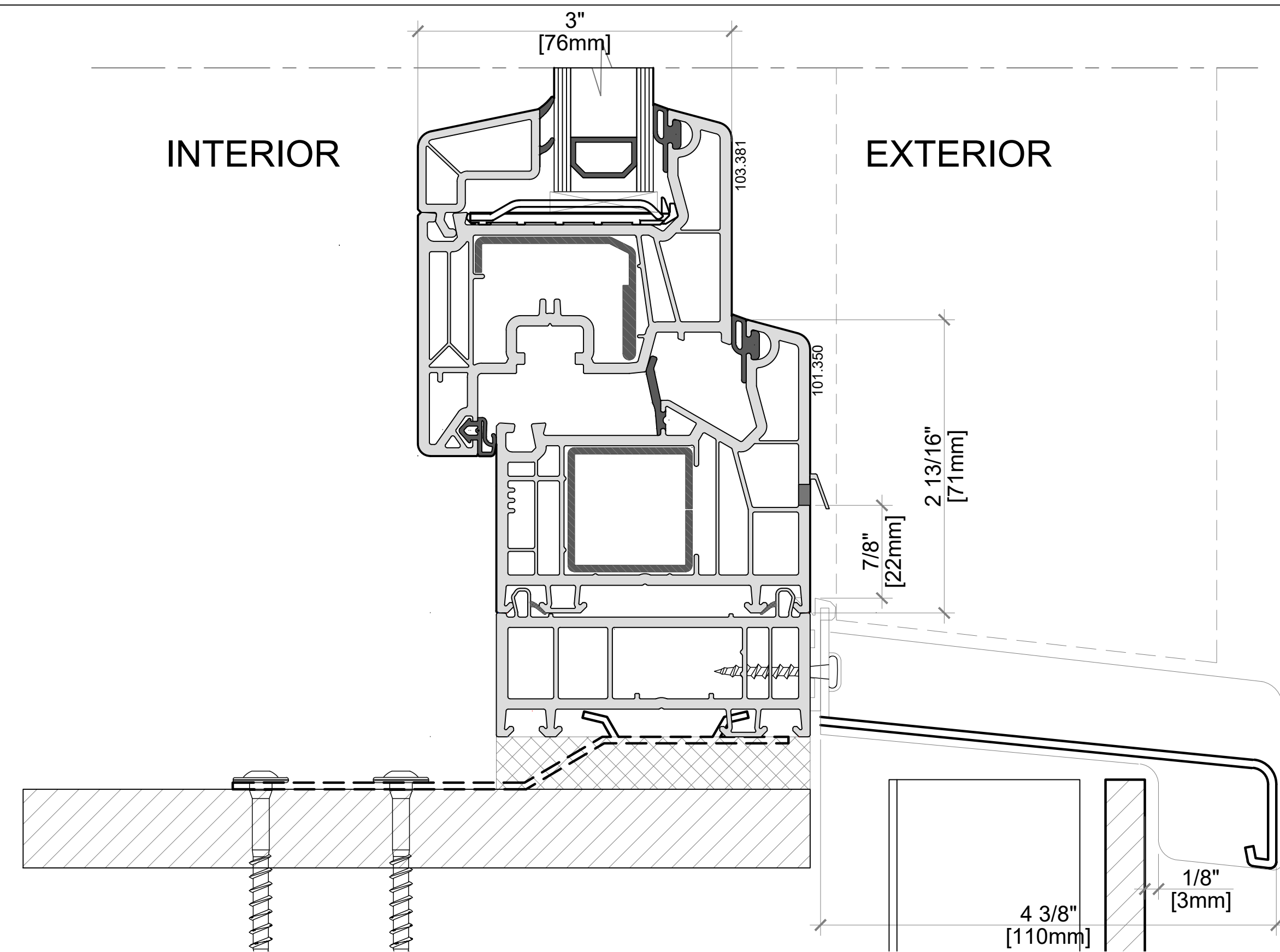
**Note:** Window sills above 8ft wide must be cut into two pieces because of expansion and contraction.  
A connection profile will be used to join the two pieces together.

IC

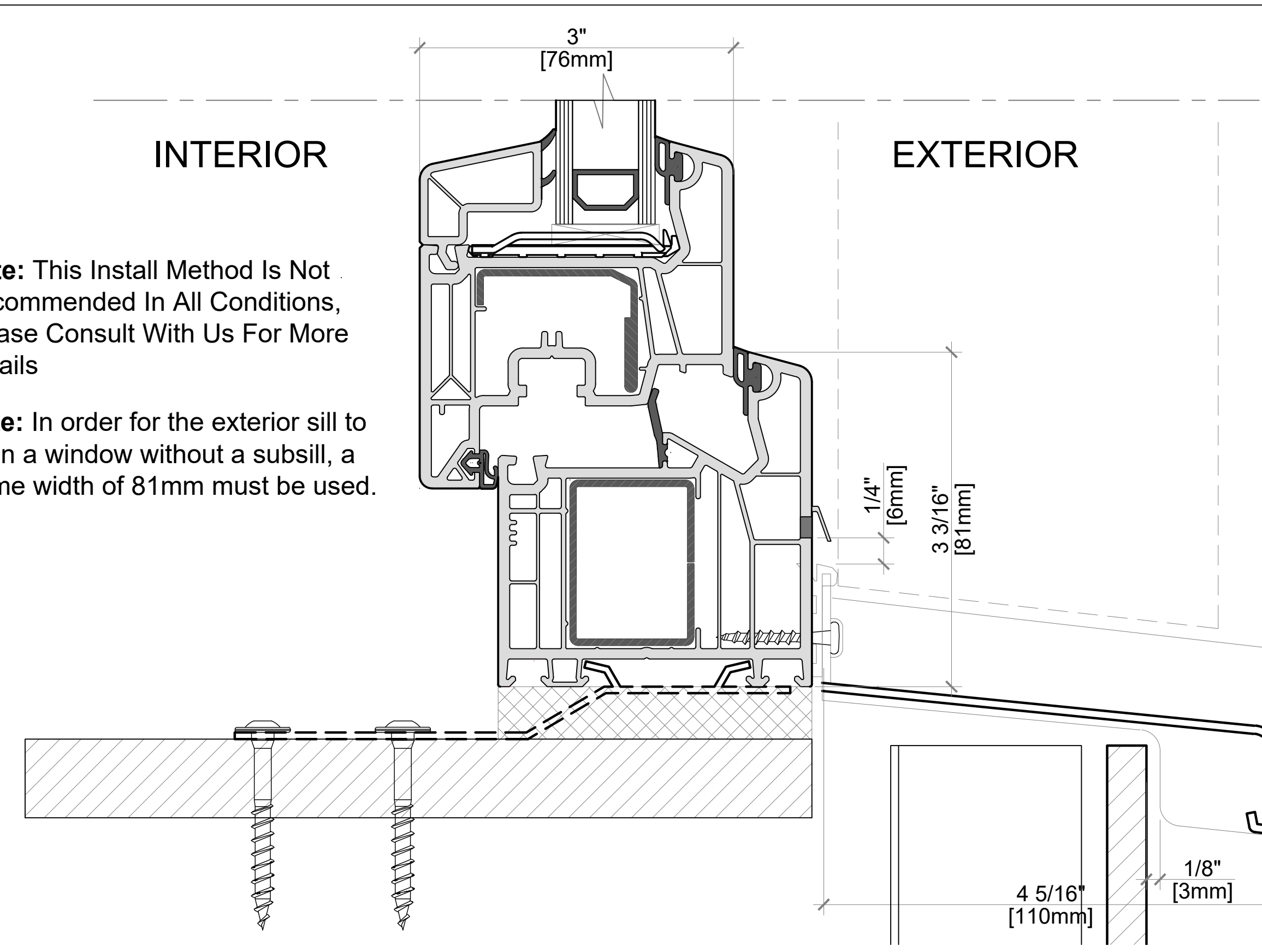
# Softline PVC Typical Installation Details

Window - Aluron Sills - Window Sill Installation Details

AMBERLINE  
HIGH PERFORMANCE WINDOWS AND DOORS

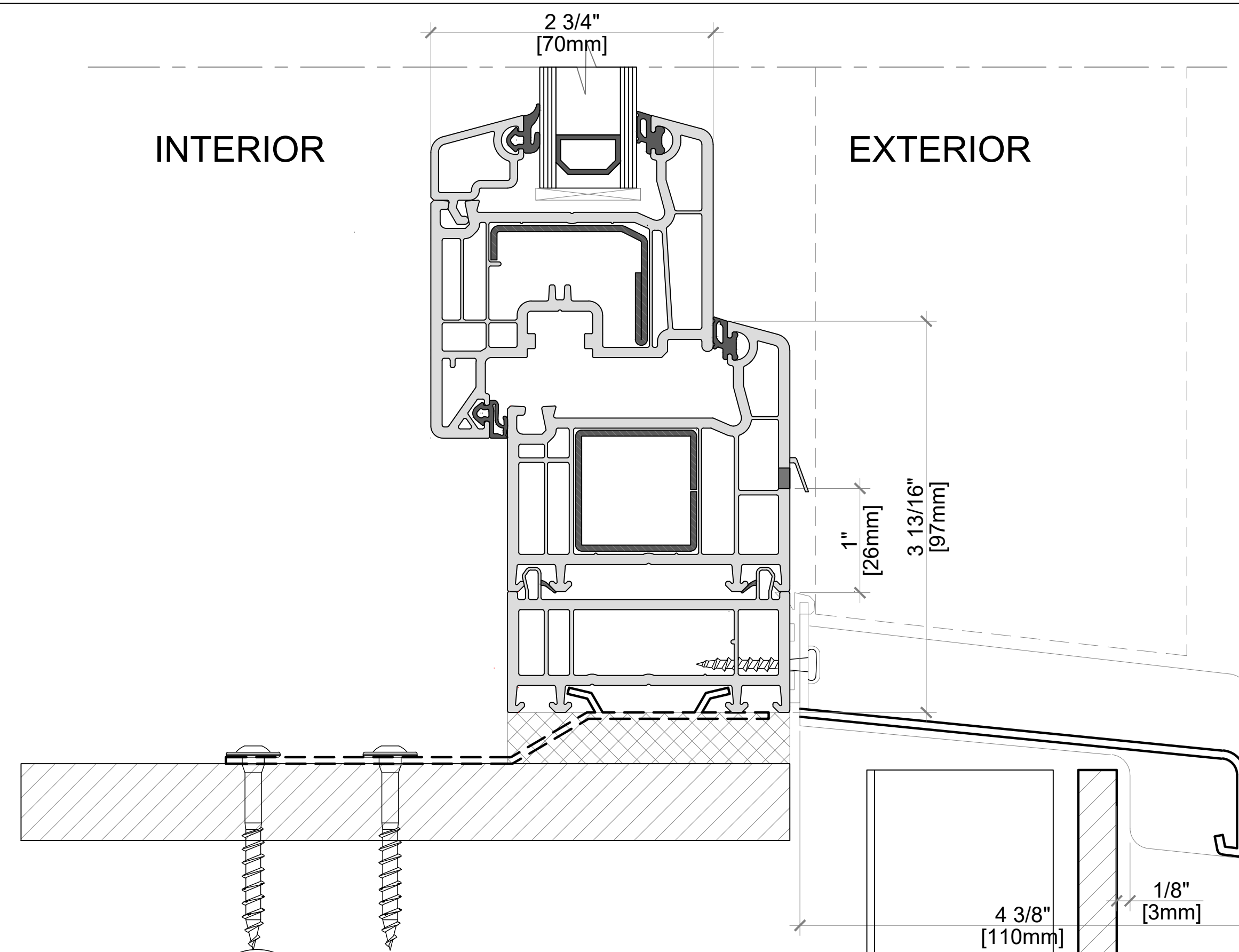
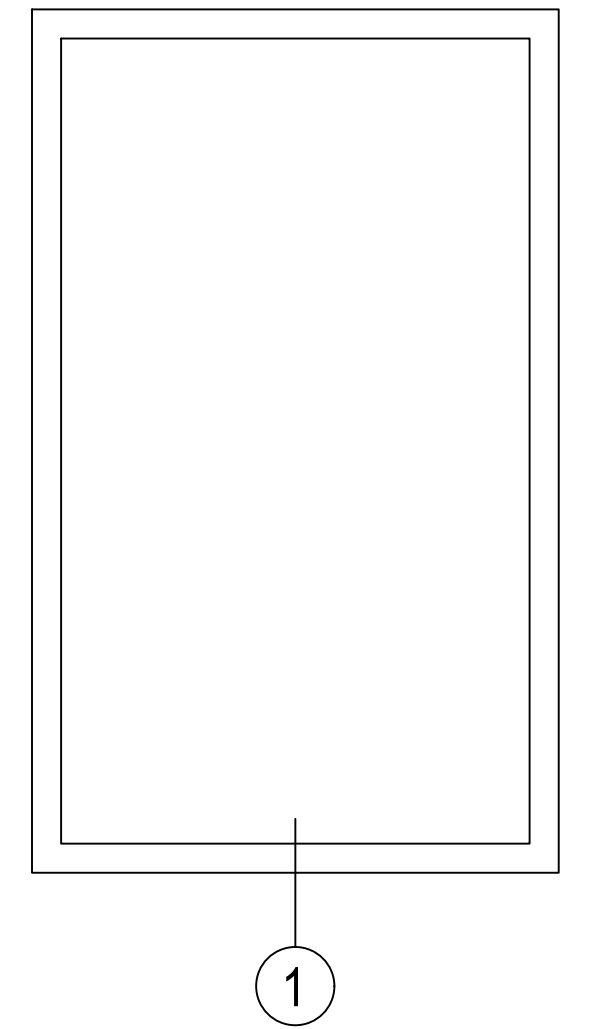


**1** RECOMMENDED INSTALL DETAIL FOR 76mm PROFILE WITH SUBSILL  
DG-ID SCALE: 1' - 0" = 1' - 0"

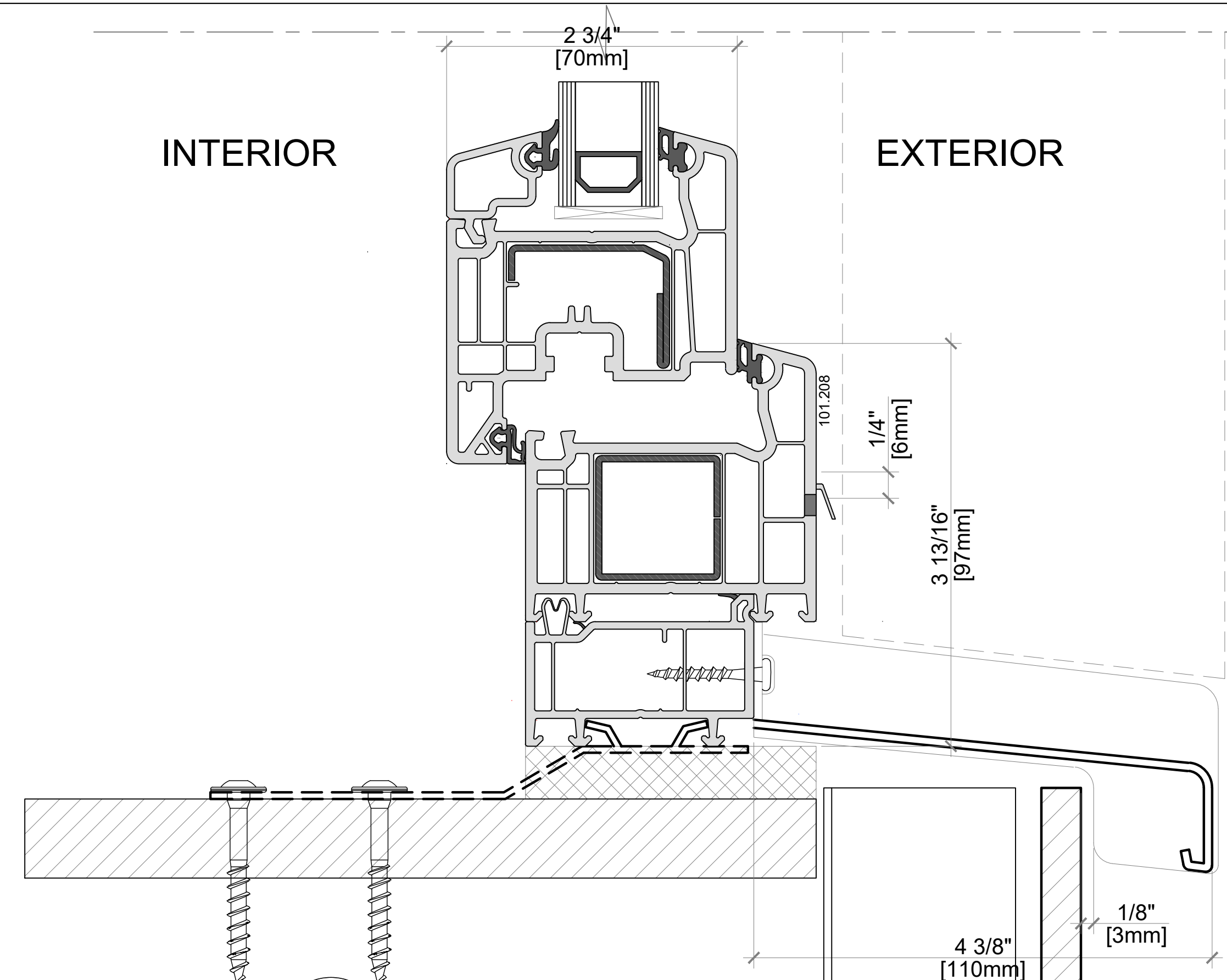


**2** INSTALL DETAIL FOR 76mm PROFILE WITHOUT SUBSILL  
DG-ID SCALE: 1' - 0" = 1' - 0"

Elevation key:



**3** INSTALL DETAIL FOR 70mm PROFILE WITH FLUSH SUBSILL  
DG-ID SCALE: 1' - 0" = 1' - 0"



**4** INSTALL DETAIL FOR 70mm PROFILE WITH SETBACK SUBSILL  
DG-ID SCALE: 1' - 0" = 1' - 0"

**Note:** Do not block weep holes with the window sills. Sills must be placed min. 1/4" below the weep holes.

**Note:** In order for the exterior sill to fit on a window without a subsill, a frame width of 81mm must be used.

ID