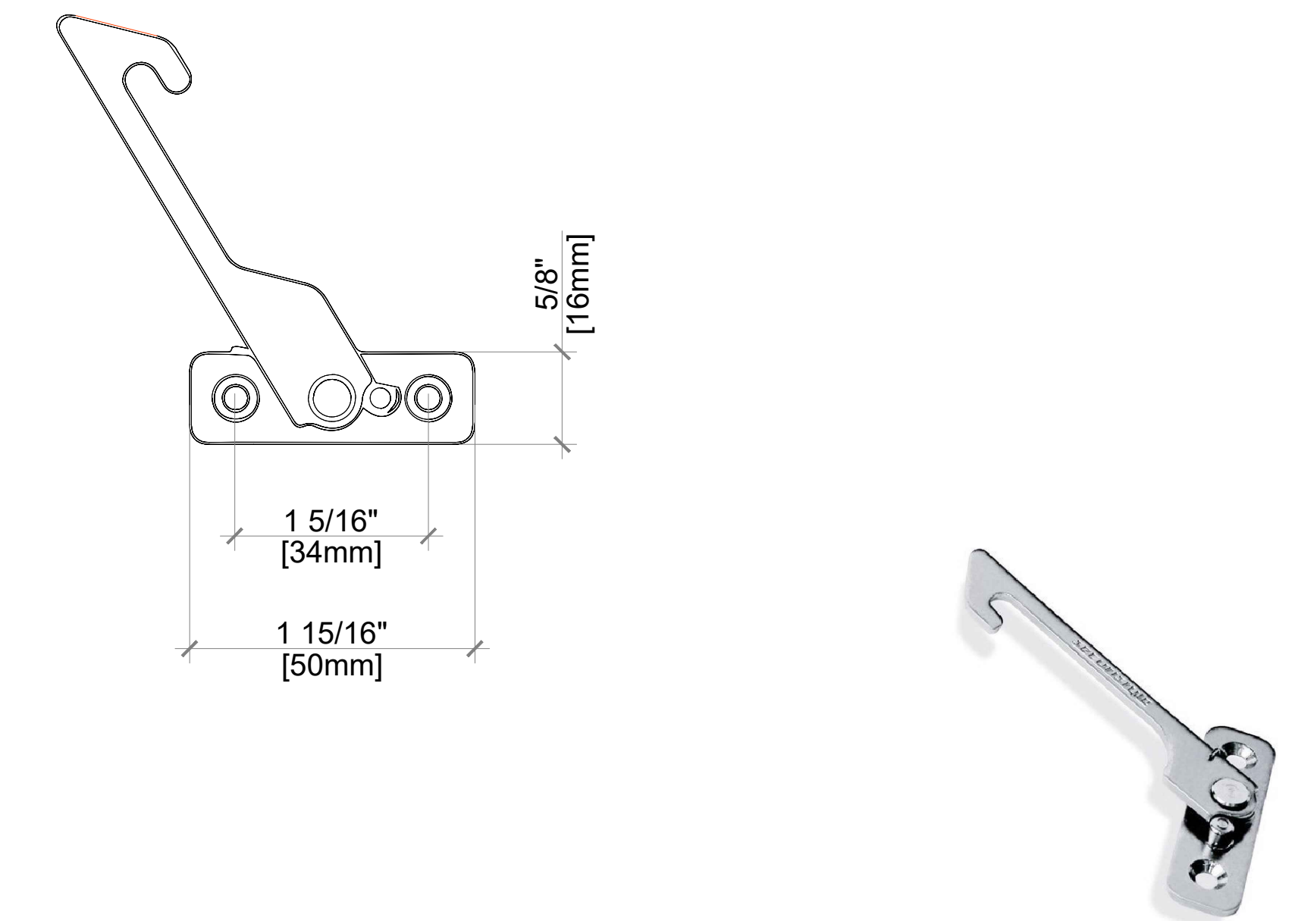
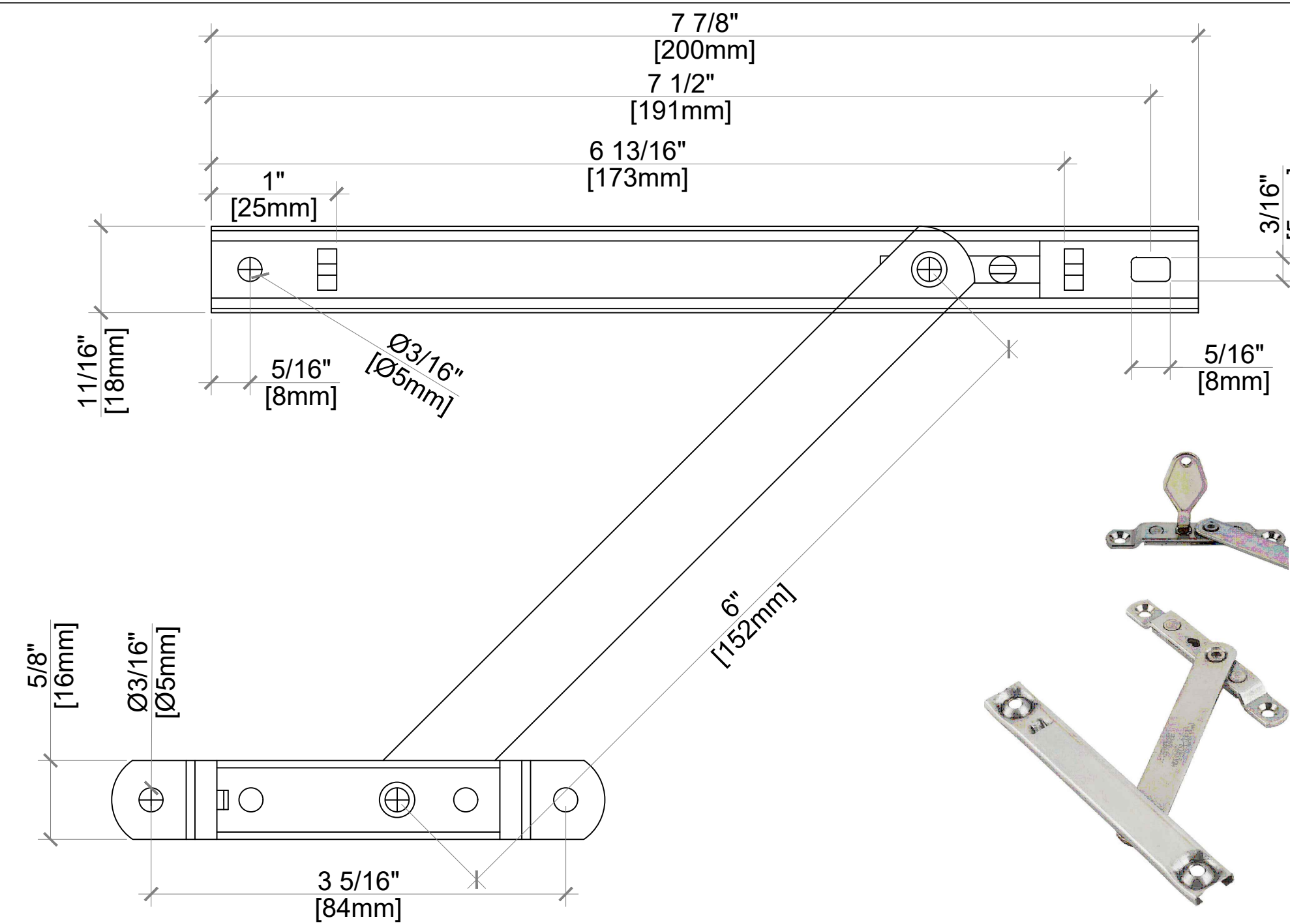
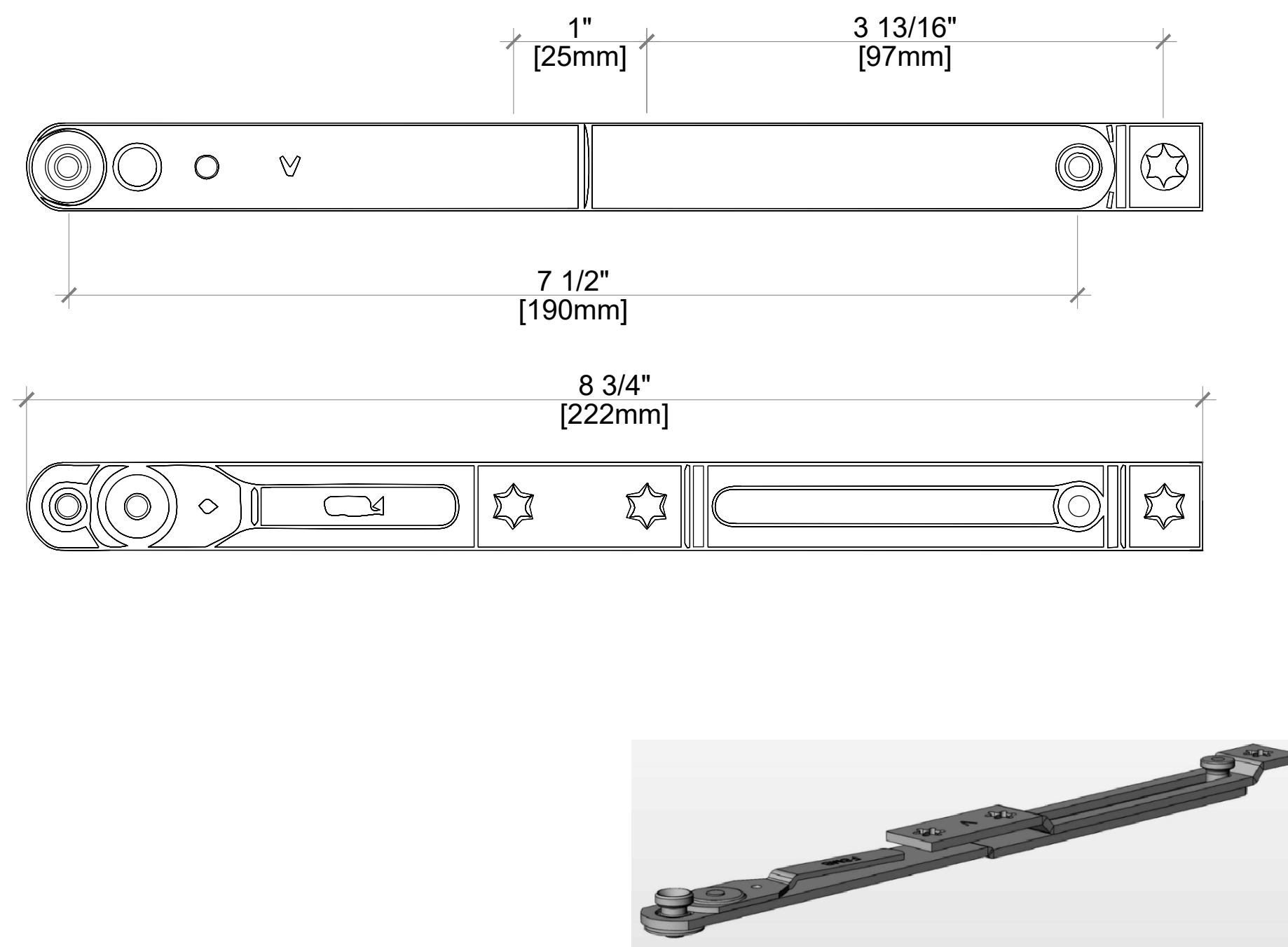


Limiters/Restrictor: Options and Details

Example Window: PVC76 Softline



4" Restrictor with Release (Winkhaus - FSR/FSMB)

Usage narrative: This option is used for standard tilt/turn windows.

RULES:

- Handle must be within the middle 1/3 of the sash height for proper operation on the window.
- See Detail 5 below and visit our downloads page for more detailed information on handle placement (<https://amberlinewindows.us/downloads/>)

1 WINKHAUS FSR/FSMB (TILT/TURN - 4" OPENING)
SCALE: 1" = 1' 0"

4" Restrictor with Custodial Key (Securistyle - SDR6)

Usage narrative: This option is used to accommodate low handle height, primarily for ADA commercial requirements.

RULES:

- Inswing only (TURN ONLY)
- CANNOT be used with tilt/turn window because it is installed at the bottom of the window
- Interior stool has to be installed with enough clearance between the bottom of the sash and stool for the keys. In some cases the custodial keys will have to be modified to be able to operate properly.
- See Detail 6 below and visit our downloads page for more detailed information on limiter placement (<https://amberlinewindows.us/downloads/>)

2 SECURISTYLE SDR6 (TURN ONLY - 4" OPENING)
SCALE: 1" = 1' 0"

4" Restrictor | WOOD (Securistyle - Defender Cavity Fit)

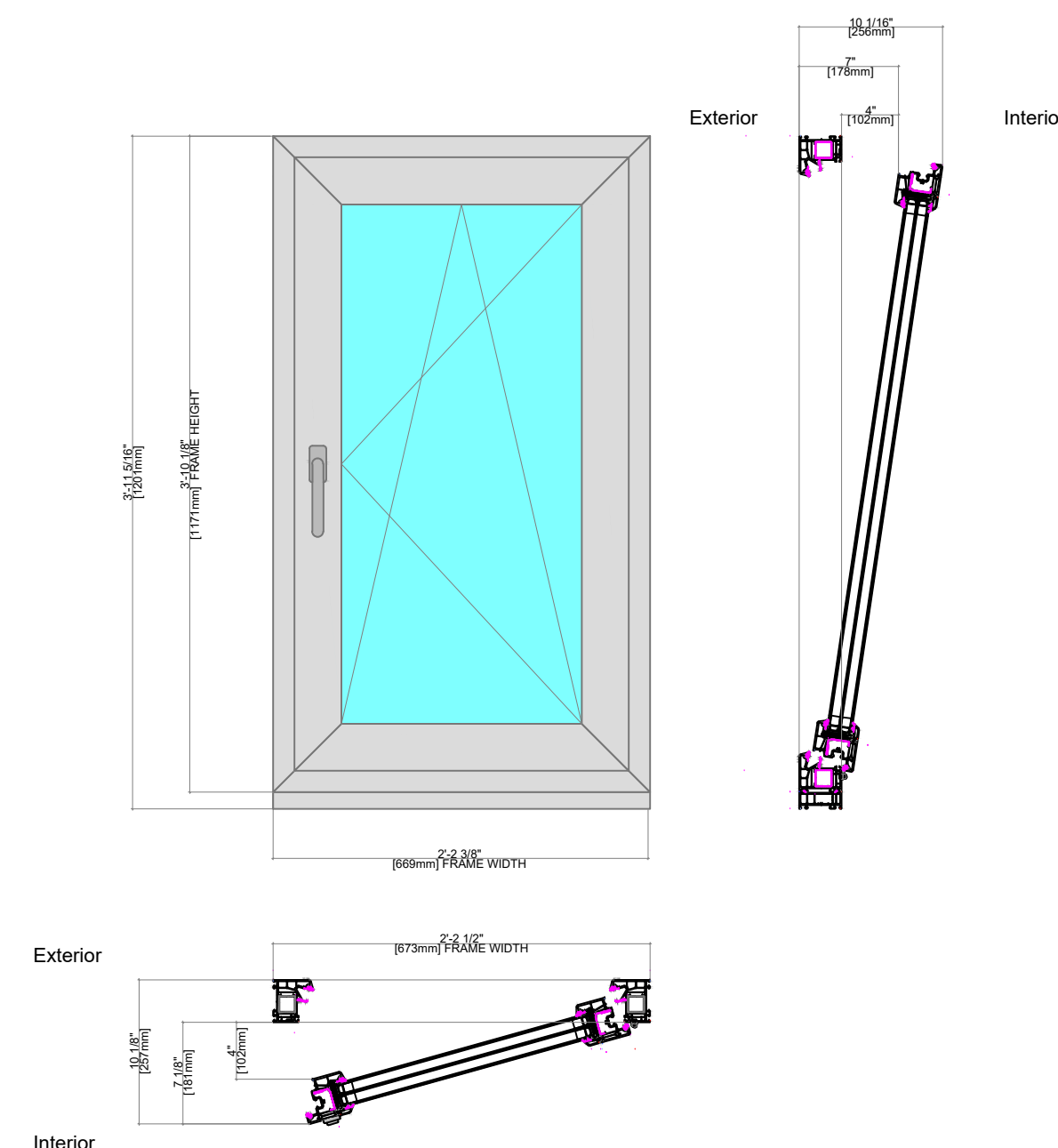
Usage narrative: (Window Operational Control Device) This option is used windows that require egress and limiter. Commonly, this option is used for renovation work that requires the windows be used as egress and there is no sprinkler system in the building

"When properly designed, tested, specified and installed, appropriately configured WOODs can help reduce the potential for falls from operable windows of various styles while allowing full opening of windows designated for emergency escape or rescue."

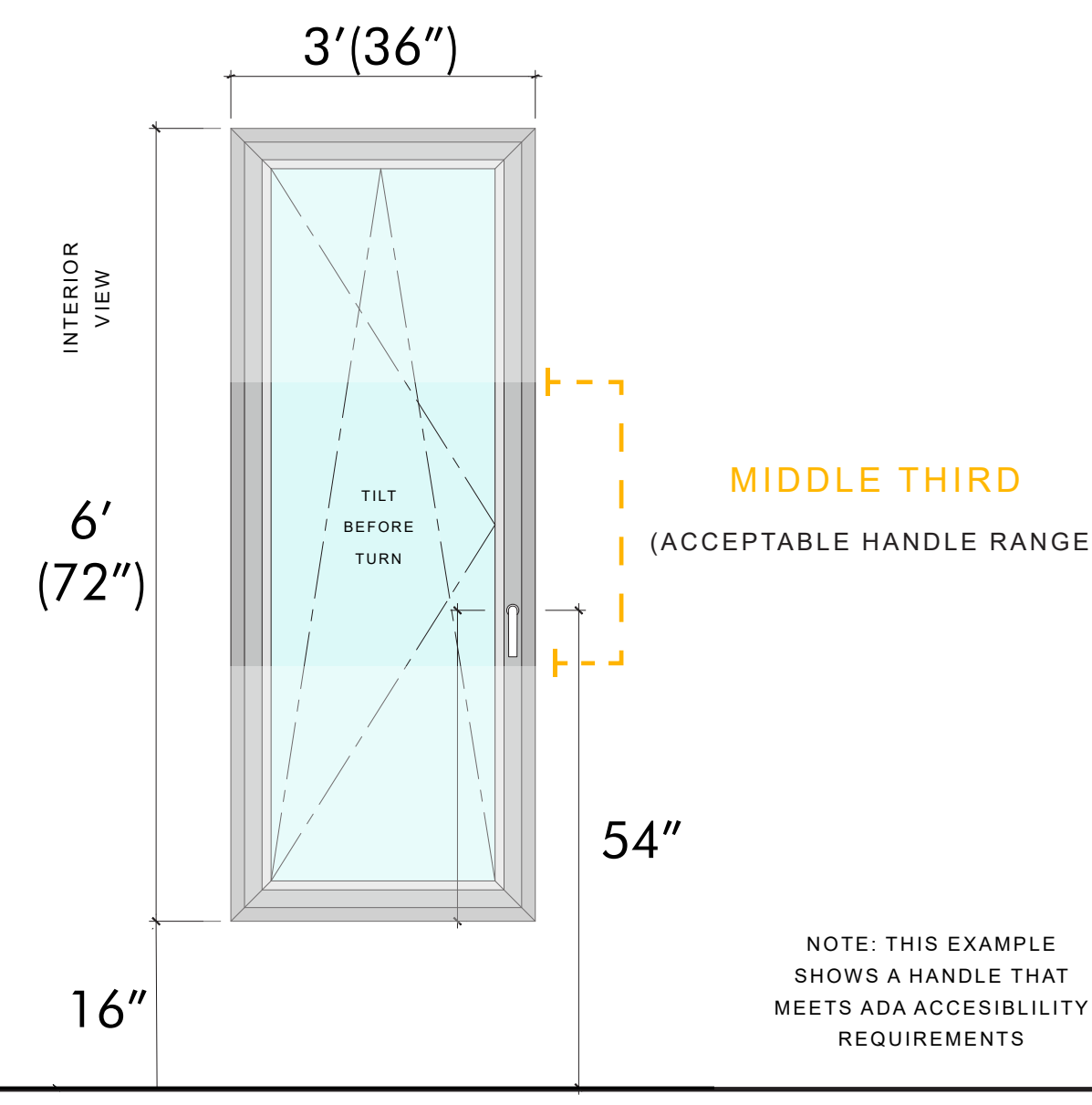
RULES:

- Inswing operation only
- ALL handle heights are allowed on the sash

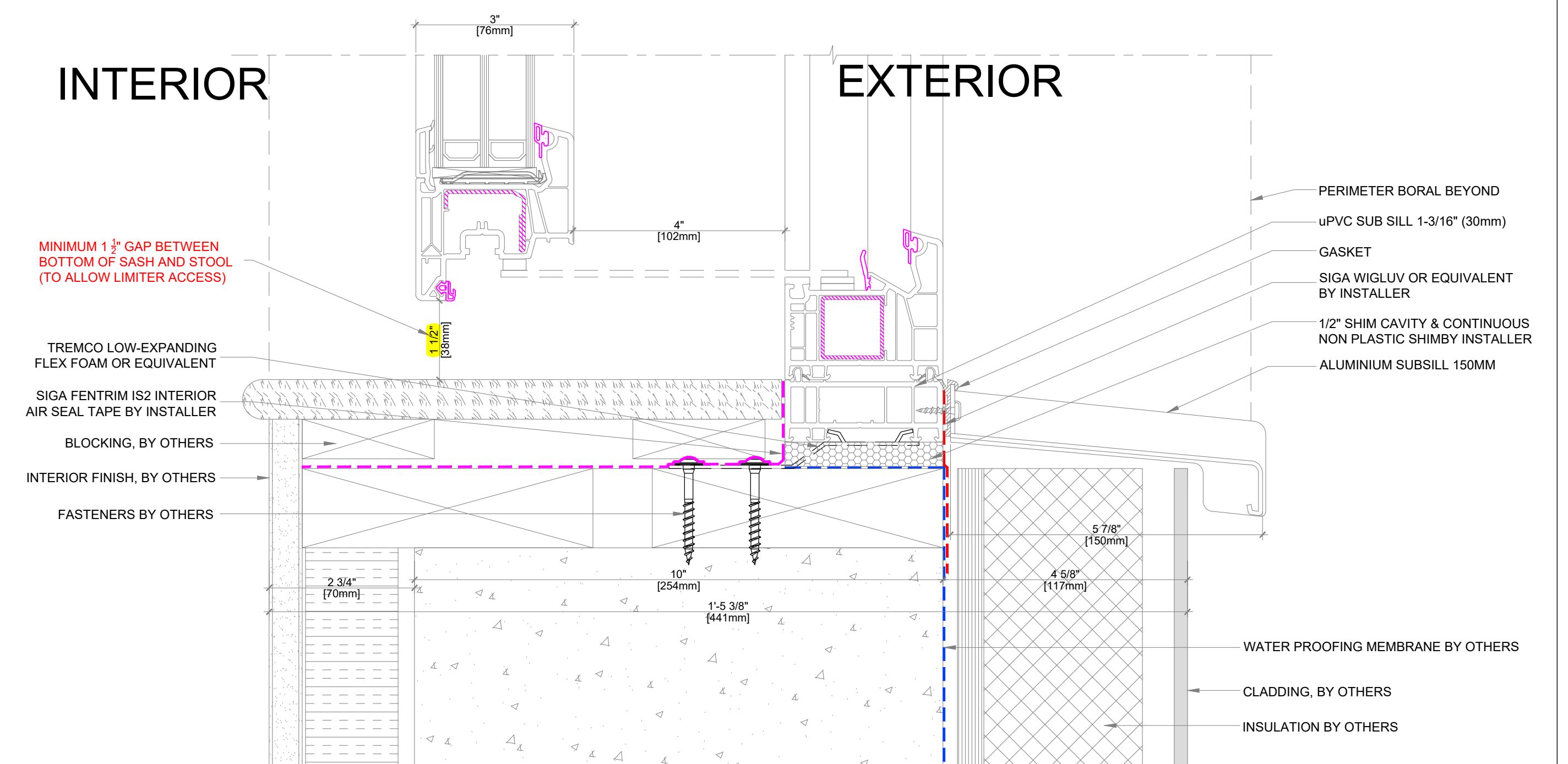
3 SECURISTYLE DEFENDER WOOD (4" OPENING)
SCALE: 1" = 1' 0"



4 4" OPENING
SCALE: 1" = 1'



5 MIDDLE 1/3 RULE (TILT/TURN & TBT)
SCALE: NTS



6 REQUIRED SASH CLEARANCE FOR SECURISTYLE SDR6 (CUSTODIAL KEY RELEASE)
SCALE: 6" = 1' 0"