



The Amberline 76mm Softline window is a dual function, in-swing system that is an excellent choice for commercial, residential, and passive house projects due to a low profile aesthetic and high thermal performance. We have many different function options to suit a wide range of projects.

**AAMA PERFORMANCE GRADE
CW - 50 to CW - 80**

THERMAL PERFORMANCE

NFRC

| OPERABLE | |
|------------------|-------------|
| Triple-Glazed | |
| U-Factor (Value) | 0.17 - 0.23 |
| SHGC | 0.20 - 0.35 |
| VT | 0.38 - 0.51 |
| CR | 74-75 |

| FIXED | |
|------------------|-------------|
| Triple-Glazed | |
| U-Factor (Value) | 0.16 - 0.23 |
| SHGC | 0.23 - 0.40 |
| VT | 0.44 - 0.59 |
| CR | 74-75 |

| OPERABLE | |
|------------------|-------------|
| Double-Glazed | |
| U-Factor (Value) | 0.26 |
| SHGC | 0.24 - 0.38 |
| VT | 0.48 - 0.56 |
| CR | 62 - 63 |

| FIXED | |
|------------------|-------------|
| Double-Glazed | |
| U-Factor (Value) | 0.26 |
| SHGC | 0.28 - 0.43 |
| VT | 0.45 - 0.59 |
| CR | 62 - 63 |

PHIUS

| OPERABLE | |
|-------------------|---------------|
| Triple-Glazed | |
| Uw (whole window) | 0.15 - 0.20 |
| SHGC (COG) | 0.286 - 0.494 |
| Ug (COG) | 0.092 - 0.131 |
| Uf | 0.25 - 0.26 |

| FIXED | |
|-------------------|---------------|
| Triple-Glazed | |
| Uw (whole window) | 0.15 - 0.18 |
| SHGC (COG) | 0.285 - 0.495 |
| Ug (COG) | 0.097 - 0.131 |
| Uf | 0.24 - 0.26 |

NOTES

- AMAA/WDMA/CSA 101/I.S.2/A 440-17
- Units are in BTU/hr•ft²•°F
- 4mm Glass
- Warm-Edge Spacers (14-18mm)

FEATURES

- **Frames by VEKA:** 76mm depth, triple gasket, galvanized steel boxed frame, industry-leading uPVC side wall & weld thickness
- **Glass/IGU by Press Glass:** Double or Triple pane with Warm Edge Spacers & options to fit any SHGC or acoustic needs
- **Hinges & Locking Points by Winkhaus:** Corrosion resistant, 6 locking points per window tested to 20,000 cycles, & capable of handling 200lb+ sash weight
- **Fabrication by Amberline:** State-of-the-art fabrication technology & rigorous QC protocols

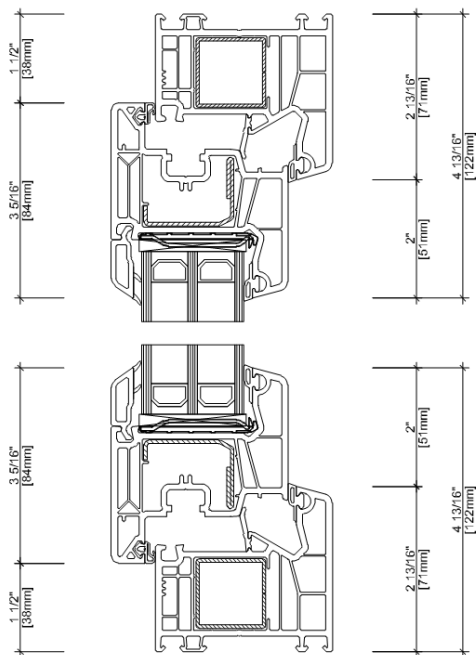
BENEFITS

- **Design Flexibility:** Effortlessly accommodate a wide range of design solutions - "Custom is our standard."
- **Confidence:** Unmatched high performance in all weather conditions
- **Price:** Each window component is carefully selected for performance, strength, durability, & COST.
- **Quality:** Assembly & build quality is unmatched. We exceed expectations so you can exceed expectations.

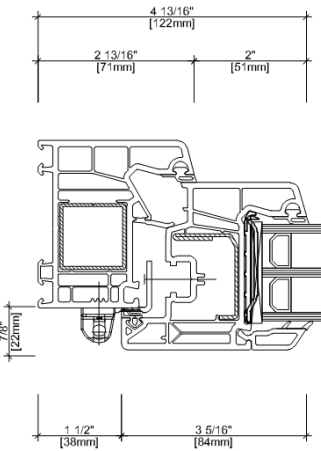
DUAL FUNCTION

FIXED

HEAD & SILL

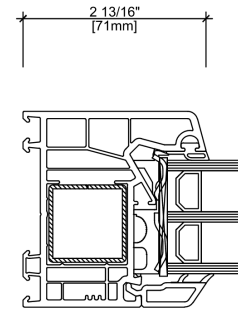


JAMB

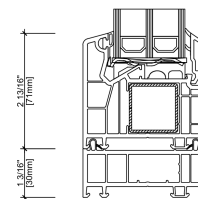


COLORS
Please refer to our color guide on our website.

HEAD, SILL, & JAMB



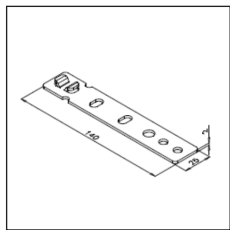
SUBSILL



The subsill is an integral component to any anchor strap unit. It creates an ideal landing point for tapes and exterior sills/finishes.

FASTENING

SUBSILL & STRAP



*PHIUS Recommended

HARDWARE

HANDLE



Hoppe Atlanta Colors:
White
Brown
Steel Effect
Aluminum Effect
Bronze Effect

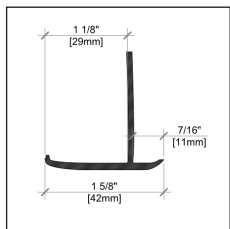
*Other styles/colors are available. Please reach out a contact point on our website with questions.

MORE INFO

ADD ONS

| | |
|--------------------|---------------------------|
| Exterior Sills | Screens |
| Horizontal End Dam | Standard: Visible Corner |
| | |
| Vertical End Dam | Upgrade: Concealed Corner |
| | |

NAIL FLANGE



HINGE

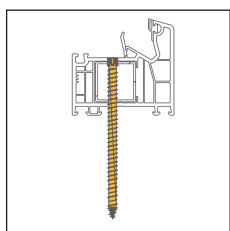


Winkhaus Model: Concept Type: Surface

ACCESSORIES

- Upgrade to concealed hinges
- WOCD
- Child Safety Screens (ASTM F2090)
- Exterior Trim by VEKA
- Mullions
 - Simulated Divided Lites
 - Stuck-on Bars

THROUGH-FRAME



LIMITER



Winkhaus Model: FSR Type: 4" Opening

OPERATIONS & NOTES

- All PVC windows are Inswing Only
 - Fixed
 - Dual function (Tilt-turn)
 - Tilt before turn (TBT)
 - Turn or tilt only
- Handle heights can meet ADA
- Maximum shipping height for standard container & pallet: 7' 6" (92")