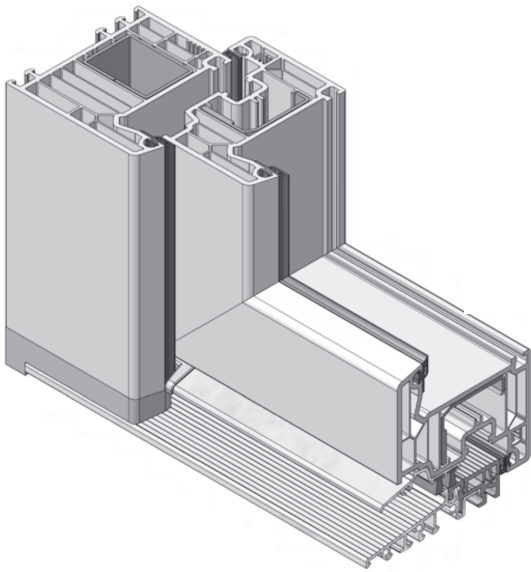


AMBERLINE PVC 76 | PATIO DOOR NON-ADA



The Amberline 76mm Softline Patio Door is an excellent choice for commercial and passive house projects due to a low profile aesthetic and high thermal performance. This door is fitted with a standard threshold that has great water tightness but does not meet ADA requirements.

**AAMA PERFORMANCE GRADE
CW - 30**

THERMAL PERFORMANCE

NFRC

OPERABLE	
Triple-Glazed	
U-Factor (Value)	0.17 - 0.23
SHGC	0.20 - 0.35
VT	0.38 - 0.51
CR	74-75

FIXED	
Triple-Glazed	
U-Factor (Value)	0.16 - 0.23
SHGC	0.23 - 0.40
VT	0.44 - 0.59
CR	74-75

OPERABLE	
Double-Glazed	
U-Factor (Value)	0.26
SHGC	0.24 - 0.38
VT	0.48 - 0.56
CR	62 - 63

FIXED	
Double-Glazed	
U-Factor (Value)	0.26
SHGC	0.28 - 0.43
VT	0.45 - 0.59
CR	62 - 63

PHIUS

OPERABLE	
Triple-Glazed	
Uw (whole window)	0.15 - 0.20
SHGC (COG)	0.286 - 0.494
Ug (COG)	0.092 - 0.131
Uf	0.25 - 0.26

FIXED	
Triple-Glazed	
Uw (whole window)	0.15 - 0.18
SHGC (COG)	0.285 - 0.495
Ug (COG)	0.097 - 0.131
Uf	0.24 - 0.26

NOTES

- Units are in BTU/hr•ft²•°F
- 4mm Glass
- Warm-Edge Spacers (14-18mm)

FEATURES

- **Frames by VEKA:** 76mm depth, triple gasket, galvanized steel boxed frame, industry-leading uPVC side wall & weld thickness
- **Glass/IGU by Press Glass:** Double or Triple pane with Warm Edge Epacers & options to fit any SHGC or acoustic needs
- **Hinges & Locking Points by Winkhaus:** Corrosion resistant, 6 locking points per window tested to 20,000 cycles, & capable of handling 200lb+ sash weight
- **Fabrication by Amberline:** State-of-the-art fabrication technology & rigorous QC protocols
- **Standard Threshold by Alumaster:** Lower threshold and two sealing gaskets

BENEFITS

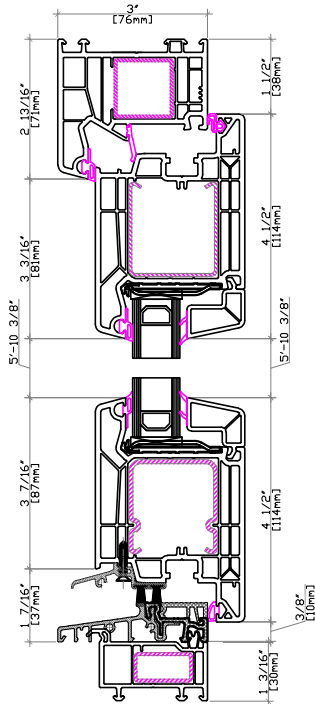
- **Design Flexibility:** Effortlessly accommodate a wide range of design solutions - "Custom is our standard."
- **Confidence:** Unmatched high performance in all weather conditions
- **Price:** Each window component is carefully selected for performance, strength, durability, & COST.
- **Quality:** Assembly & build quality is unmatched. We exceed expectations so you can exceed expectations.

VISIT OUR WEBSITE: AMBERLINEWINDOWS.US

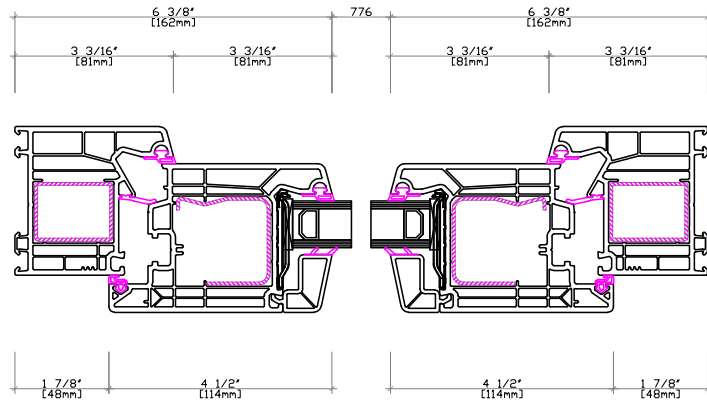
AMBERLINE PVC 76 | PATIO DOOR NON-ADA

INSWING ONLY

HEAD & SILL



JAMB

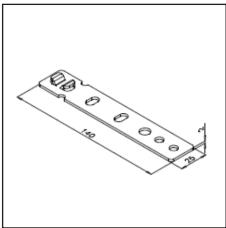


COLORS

Please refer to our color guide on our website.

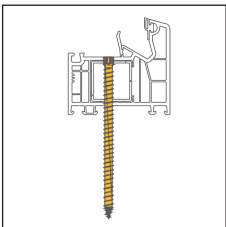
FASTENING

SUBSILL & STRAP



(PHIUS Recommended)

THROUGH-FRAME



HARDWARE

HANDLE



FKS 1003A

Colors:

- White
- Brown
- Steel Effect
- Aluminum Effect
- Bronze Effect

Other styles/colors are available. Please reach out a contact point on our website with questions.

HINGE



Winkhaus

Model: Concept
Type: Surface

LOCKING



Thumb-turn

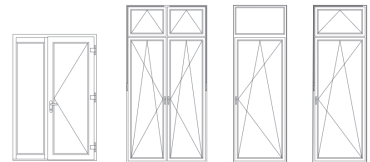
Interior: Twist
Exterior: Key

Handles are on the interior and exterior.

MORE INFO

CONFIGURATIONS

Examples



Most Configurations are possible. These are only some examples. All doors are inswing.

ACCESSORIES

- Surface or Concealed Hinges
- Exterior Trim by VEKA
- Mullions
 - Simulated Divided Lites
 - Stuck-on Bars

OPERATIONS & NOTES

- All PVC doors are Inswing Only
- European style lock core
- Handles with interior thumb-turn and exterior key
- Maximum unit shipping height for standard container & pallet: 7' 6" (92")